



US00D975686S

(12) **United States Design Patent**
Hong

(10) **Patent No.:** **US D975,686 S**
(45) **Date of Patent:** **** Jan. 17, 2023**

- (54) **MICROPHONE SPEAKER**
- (71) Applicant: **Hanqin Hong**, Guangdong (CN)
- (72) Inventor: **Hanqin Hong**, Guangdong (CN)
- (73) Assignee: **Shenzhen Sanhuashidai Technology Co., Ltd.**, Guangdong (CN)
- (**) Term: **15 Years**
- (21) Appl. No.: **29/737,381**
- (22) Filed: **Jun. 9, 2020**
- (51) **LOC (14) Cl.** **14-01**
- (52) **U.S. Cl.**
USPC **D14/225**
- (58) **Field of Classification Search**
USPC D14/221, 224, 225, 226, 227, 228, 229,
D14/248, 265, 137, 150, 154, 155, 157,
D14/158, 159, 172, 185
CPC H04R 19/04; H04R 19/00; H04R 1/406;
H04R 1/08; H04R 1/04; H04R 1/326;
H04R 29/004; H04R 2410/00; H04R
2410/01; H04R 2410/03; H04R 2410/05;
H04R 2410/07; H04R 2420/07; H04R
17/02
See application file for complete search history.

11,265,654 B1 * 3/2022 Kim H04R 1/08
2019/0069060 A1 * 2/2019 Su H04M 1/271
2021/0364160 A1 * 11/2021 Xia F21V 17/10

FOREIGN PATENT DOCUMENTS

CN	305835896	*	6/2020
CN	306810362	*	9/2021
CN	306817588	*	9/2021
CN	306950039	*	11/2021
CN	307094564	*	2/2022
CN	307118770	*	2/2022
CN	307143179	*	3/2022
GB	6040444	*	8/2018

OTHER PUBLICATIONS

Verkstar Karaoke Microphone, announced Mar. 28, 2020 [online],
retrieved Mar. 24, 2022, retrieved from internet, <https://www.amazon.com/Verkstar-Microphone-Bluetooth-Recording-Christmas/dp/B086HJFK3M>.*

(Continued)

Primary Examiner — Messina L Smith

(57) **CLAIM**

The ornamental design for a microphone speaker, as shown and described.

DESCRIPTION

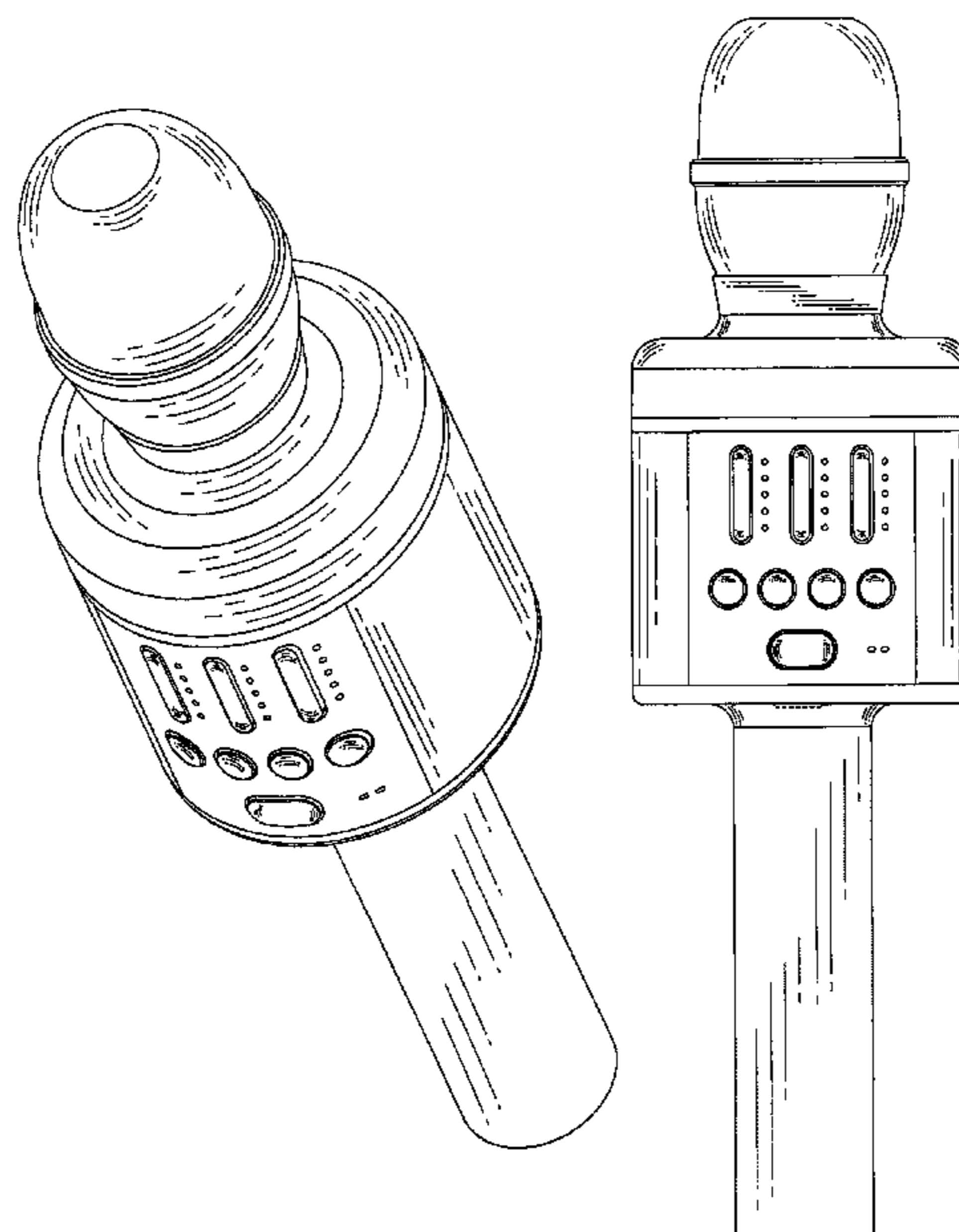
FIG. 1 is a perspective view of a microphone speaker showing my new design;
FIG. 2 is a front elevation view thereof;
FIG. 3 is a rear elevation view thereof;
FIG. 4 is a left side elevation view thereof;
FIG. 5 is a right side elevation view thereof;
FIG. 6 is a top plan view thereof; and,
FIG. 7 is a bottom plan view thereof.
The broken lines depict portions of the microphone speaker that form no part of the claimed design.

1 Claim, 7 Drawing Sheets

(56) **References Cited**

U.S. PATENT DOCUMENTS

D813,208 S	*	3/2018	Nie	D14/226
D836,615 S	*	12/2018	Su	D14/226
D868,042 S	*	11/2019	Yang	D14/226
D880,459 S	*	4/2020	Su	D14/226
D883,961 S	*	5/2020	Dai	D14/226
D890,715 S	*	7/2020	Li	D14/155
10,893,366 B1	*	1/2021	Yang	H04R 1/025
D933,638 S	*	10/2021	Lu	D14/228
11,265,636 B1	*	3/2022	Kim	H04R 3/00



(56)

References Cited

OTHER PUBLICATIONS

BONAOK Wireless Bluetooth Karaoke Microphone, announced © 2022 [online], retrieved Mar. 24, 2022, retrieved from internet, <https://bonaok.com/products/b071sgmq7v>.*

This Mic Is Perfect For People Who Love Karaoke But Hate Leaving Their Home, announced Nov. 10, 2018 [online], retrieved Mar. 24, 2022, retrieved from internet, <https://www.buzzfeed.com/emmyf/bonaok-wireless-bluetooth-karaoke-microphone>.*

Ankuka Bluetooth Karaoke Microphone, announced © 2022 [online], retrieved Mar. 24, 2022, retrieved from internet, <https://www.buzzfeed.com/emmyf/bonaok-wireless-bluetooth-karaoke-microphone>.*

Bluetooth Karaoke Microphone Wireless, announced Oct. 7, 2020 [online], retrieved Mar. 24, 2022, retrieved from internet, <https://www.amazon.com/M37-Microphone-Bluetooth-Wireless-Portable/dp/B08KSSCBQT>.*

BONAOK Wireless Bluetooth Karaoke Microphone, announced May 1, 2019 [online], retrieved Mar. 24, 2022, retrieved from internet, <https://www.amazon.com/dp/B07RKTF58K>.*

Verkstar Karaoke Microphone Machine, announced Mar. 28, 2020 [Online], retrieved from Internet, <https://www.amazon.com/Verkstar-Microphone-Bluetooth-Recording-Christmas/dp/B086HJFK3M>.

* cited by examiner

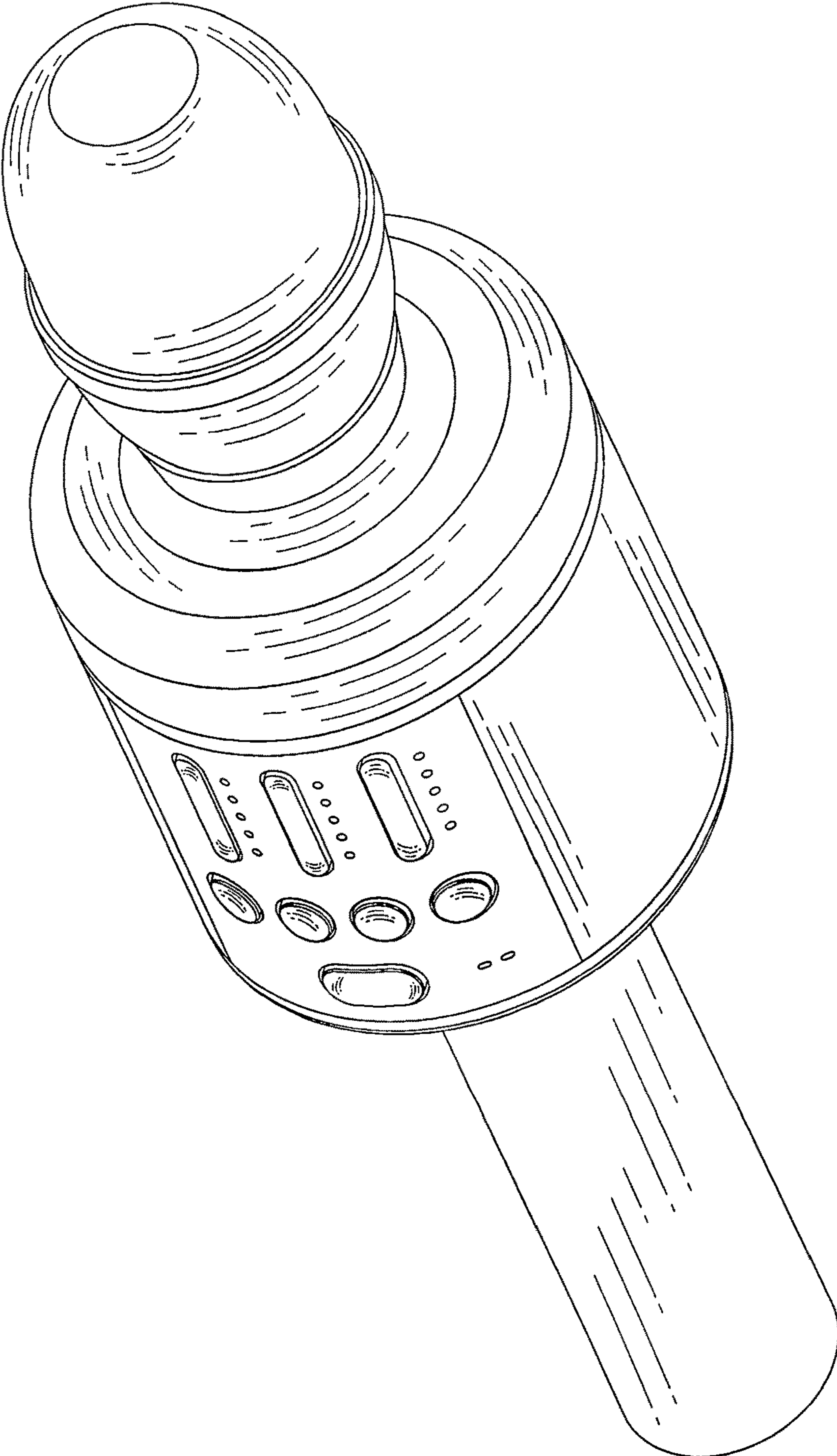


FIG. 1

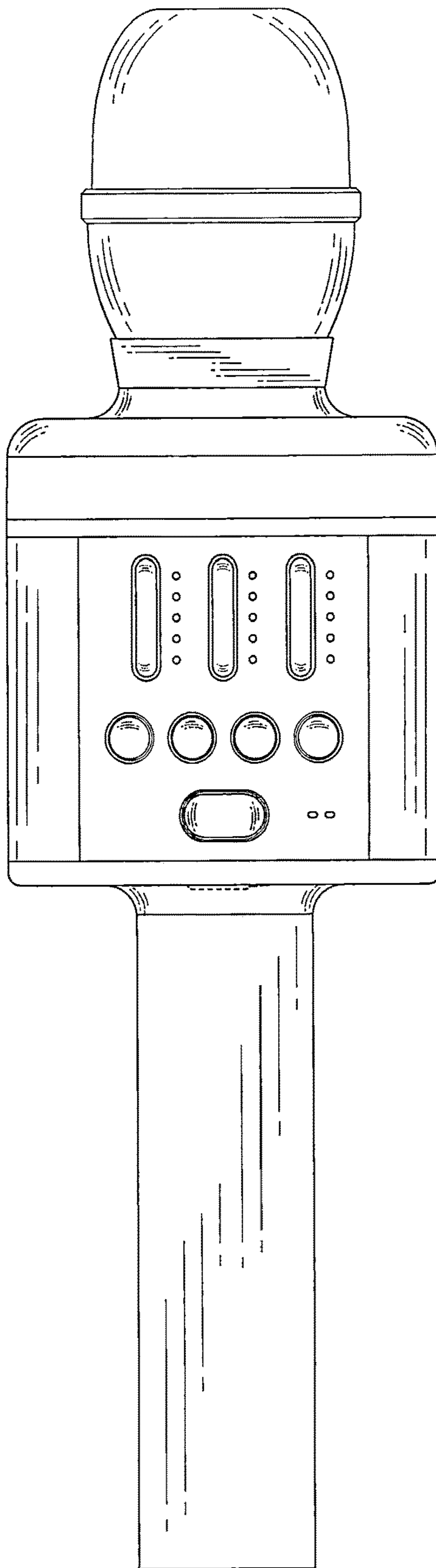


FIG. 2

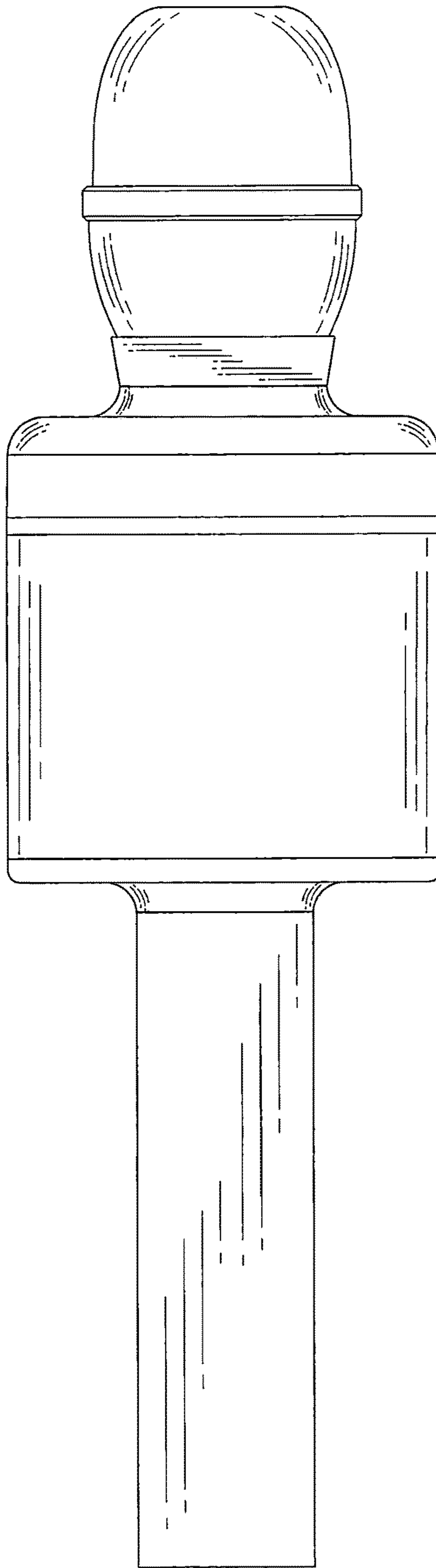


FIG. 3

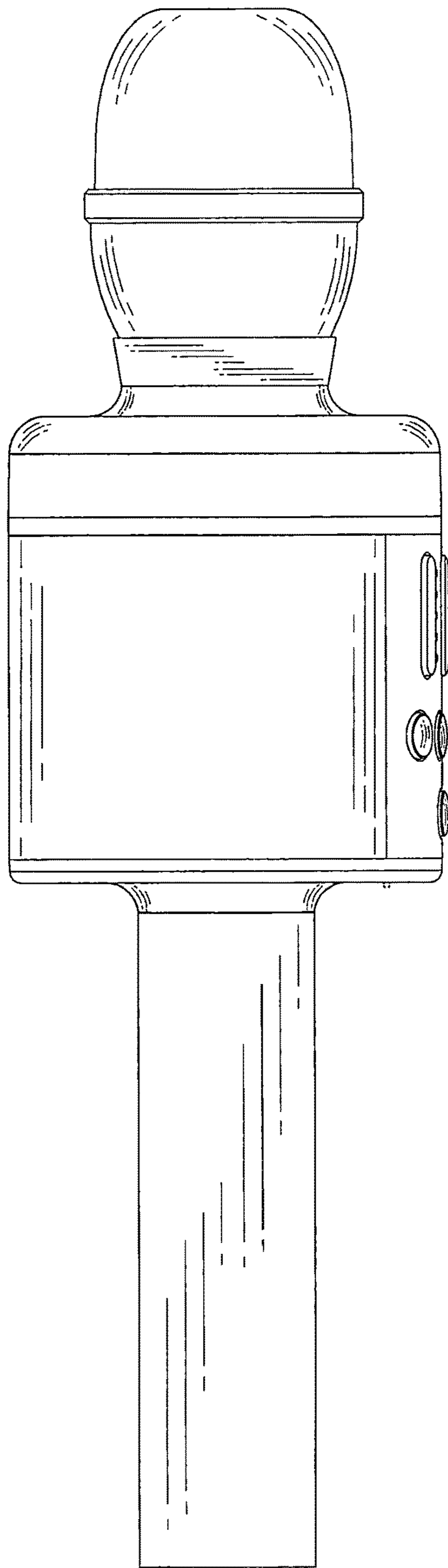


FIG. 4

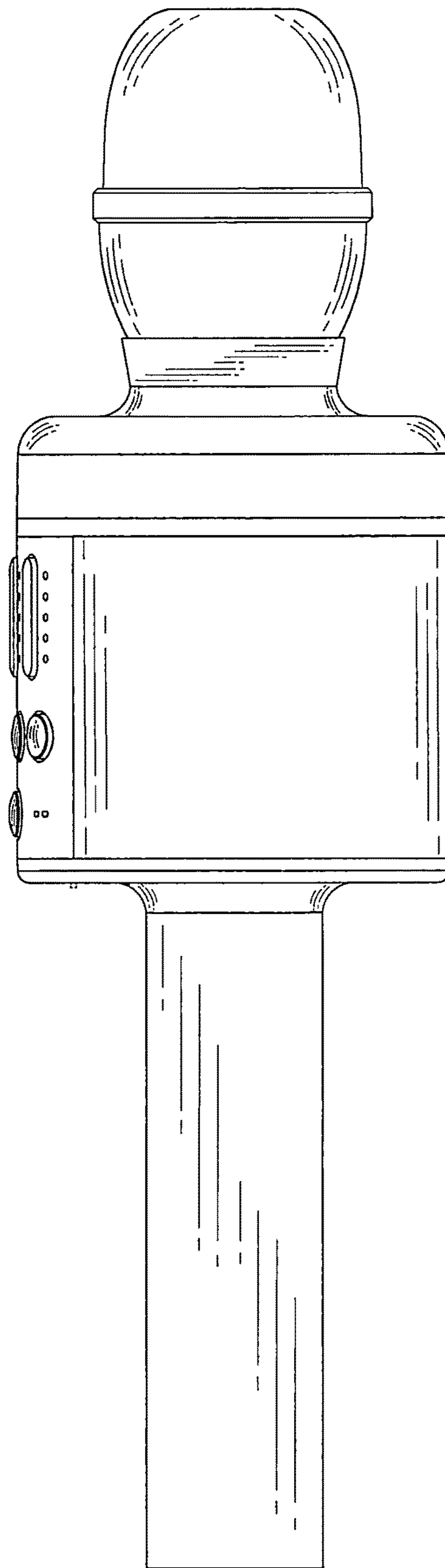


FIG. 5

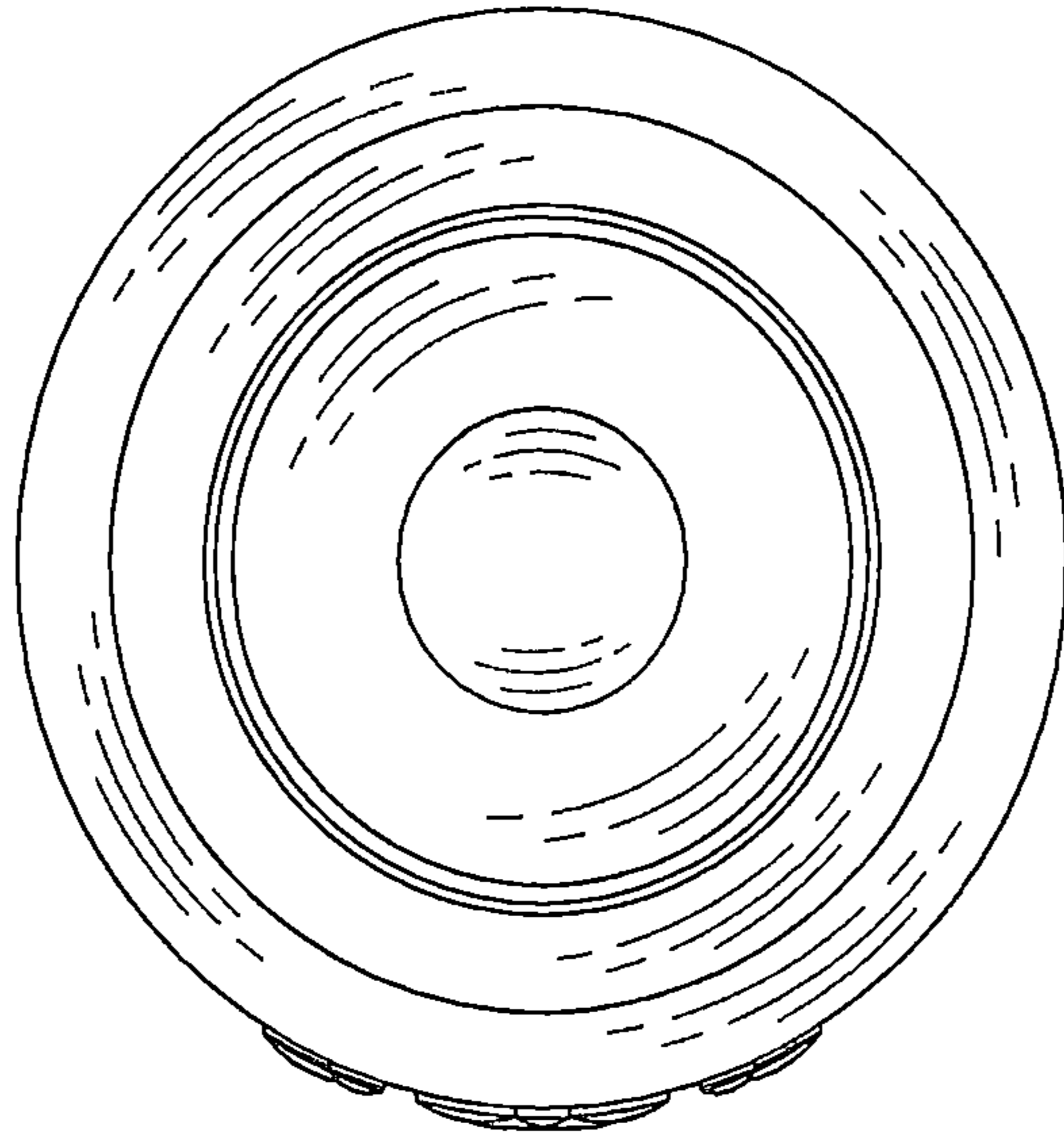


FIG. 6

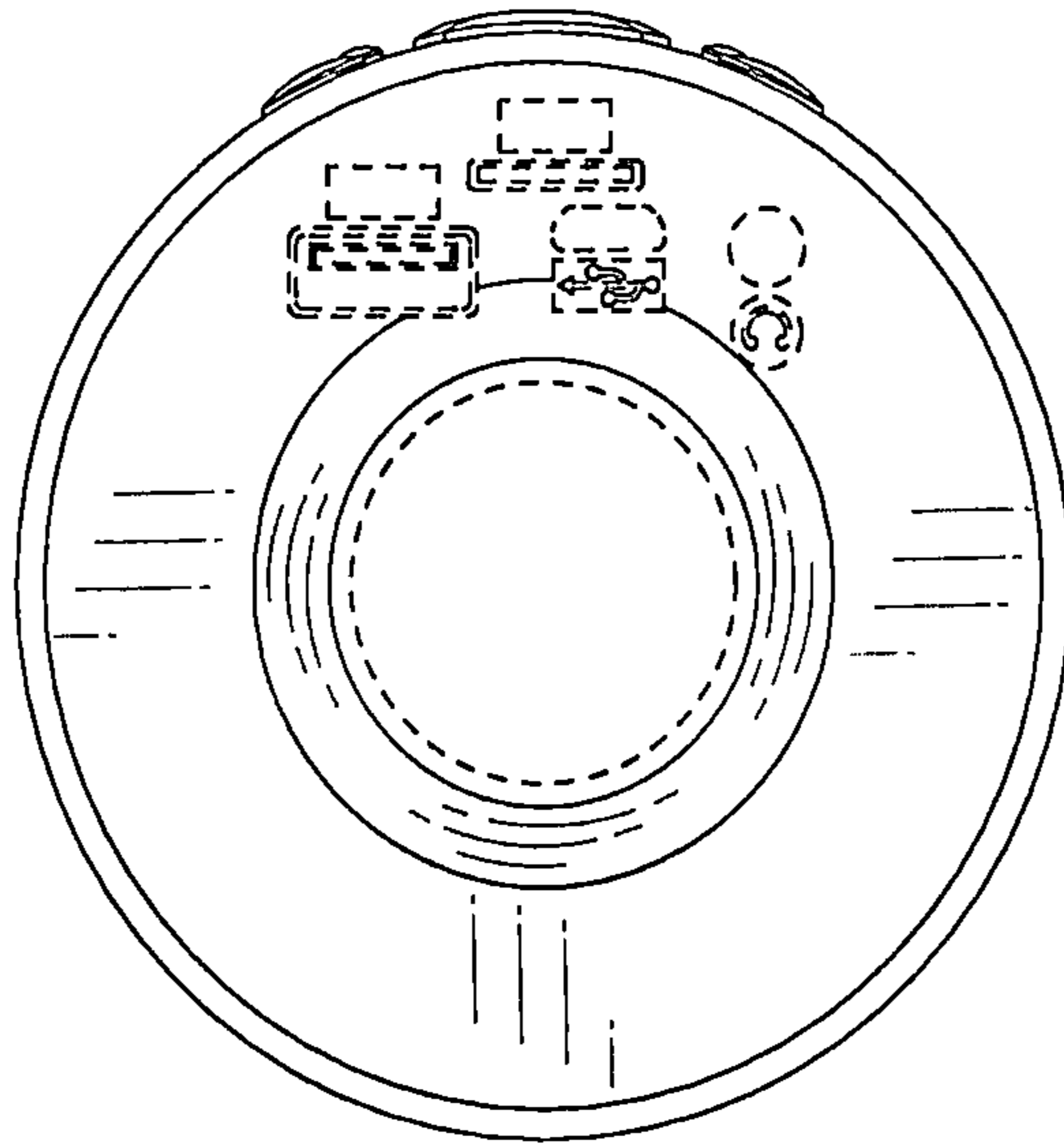


FIG. 7