



US00D975683S

(12) **United States Design Patent**
Koneru et al.

(10) **Patent No.:** **US D975,683 S**

(45) **Date of Patent:** **** Jan. 17, 2023**

(54) **EARPHONE**

5/0335; H04R 1/1091; H04R 1/1058;
H04R 1/105; H04R 1/1083

(71) Applicant: **Apple Inc.**, Cupertino, CA (US)

See application file for complete search history.

(72) Inventors: **Vijay Karthik Koneru**, Los Angeles, CA (US); **Robert Boyd**, Los Angeles, CA (US); **Duy P. Le**, Los Angeles, CA (US); **Joseph F. Dembs**, Los Angeles, CA (US); **Jeffrey Scott Croyle**, San Francisco, CA (US); **Matthew Phillip Casebolt**, Fremont, CA (US); **Matthew Vincent Costello**, Soquel, CA (US); **Elvin Chu**, San Francisco, CA (US); **Guillaume Raoult**, San Francisco, CA (US); **Zu-Ning Chen**, San Francisco, CA (US); **Christopher Kuh**, San Francisco, CA (US); **Robert Brunner**, Glen Ellen, CA (US)

(56) **References Cited**

U.S. PATENT DOCUMENTS

D716,770 S	11/2014	Bonahoom et al.	
D744,456 S *	12/2015	Pedersen	D14/223
D758,355 S *	6/2016	Lee	D14/223
D800,703 S *	10/2017	Vaclavik	D14/223
D801,314 S	10/2017	Akana et al.	
D835,077 S	12/2018	Aoyagi et al.	
D870,710 S *	12/2019	Cai	D14/223
D876,398 S *	2/2020	Cai	D14/223
D882,545 S *	4/2020	Li	D14/223
D896,200 S	9/2020	Ott et al.	
D897,320 S	9/2020	Boyd et al.	
D897,321 S *	9/2020	Wei	D14/223
D906,297 S	12/2020	Akana et al.	
D928,124 S *	8/2021	Liu	D14/223
D929,966 S *	9/2021	Arimoto	D14/223
D956,018 S *	6/2022	Reimann	D14/223

(Continued)

(73) Assignee: **Apple Inc.**, Cupertino, CA (US)

Primary Examiner — Katie Jane Stofko

(**) Term: **15 Years**

(74) *Attorney, Agent, or Firm* — Sterne, Kessler, Goldstein & Fox P.L.L.C.

(21) Appl. No.: **29/784,431**

(57) **CLAIM**

(22) Filed: **May 19, 2021**

The ornamental design for an earphone, as shown and described.

(51) **LOC (14) Cl.** **14-01**

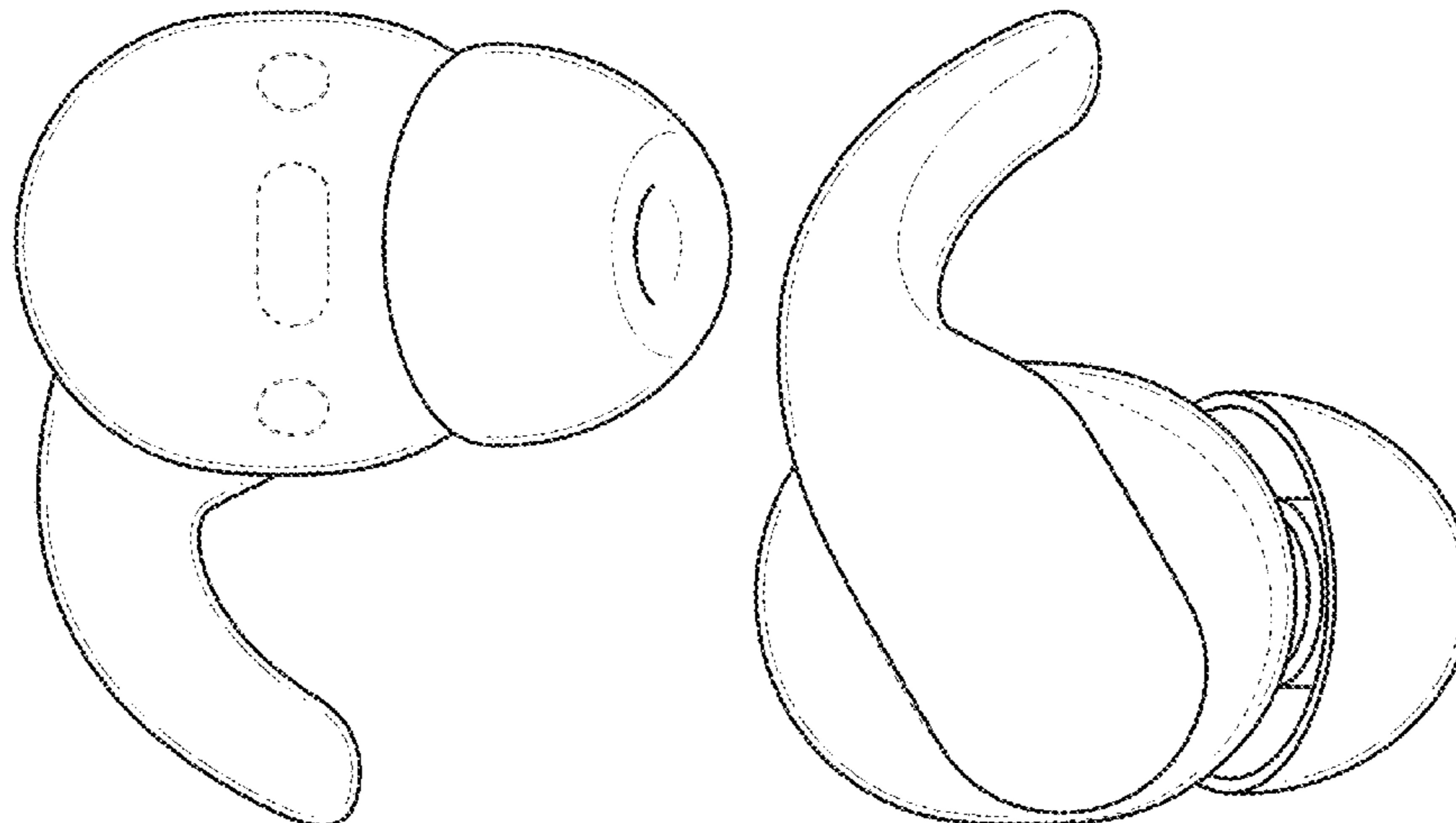
(52) **U.S. Cl.**
USPC **D14/223**

DESCRIPTION

(58) **Field of Classification Search**
USPC D14/223, 205, 206; D24/174, 217, 218;
128/864, 865, 866; 181/129, 130, 135;
379/430, 431; 381/380, 381, 322-324,
381/330; 455/90.3, 575, 1, 569.1;
D9/415, 432, 721; D3/274, 294;
D13/108
CPC H04R 1/10; H04R 25/00; H04R 1/1016;
H04R 1/1066; H04R 5/033; H04R

FIG. 1 is a top perspective view of an earphone showing the claimed design;
FIG. 2 is a bottom perspective view thereof;
FIG. 3 is a front view thereof;
FIG. 4 is a rear view thereof;
FIG. 5 is a right side view thereof;
FIG. 6 is a left side view thereof;
FIG. 7 is a top view thereof; and,
FIG. 8 is a bottom view thereof.

(Continued)



The dashed broken lines in the FIGURES show portions of the earphone that form no part of the claimed design.

1 Claim, 4 Drawing Sheets

(56)

References Cited

U.S. PATENT DOCUMENTS

D956,020 S *	6/2022	Reimann	D14/223
2011/0103637 A1 *	5/2011	Yuen	H04R 1/1041
			381/380
2019/0349659 A1 *	11/2019	Ott	H04R 1/105

* cited by examiner

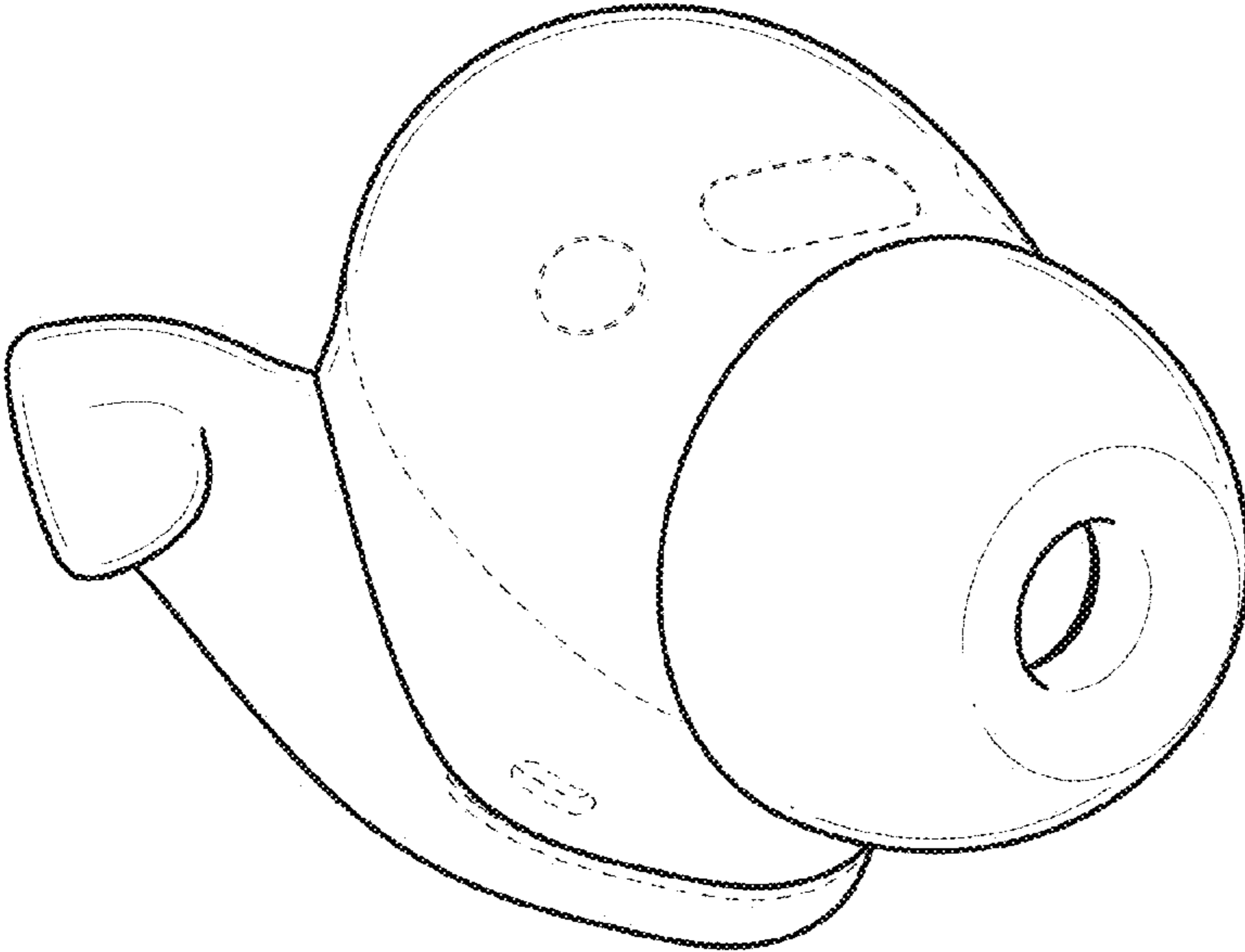


FIG. 1

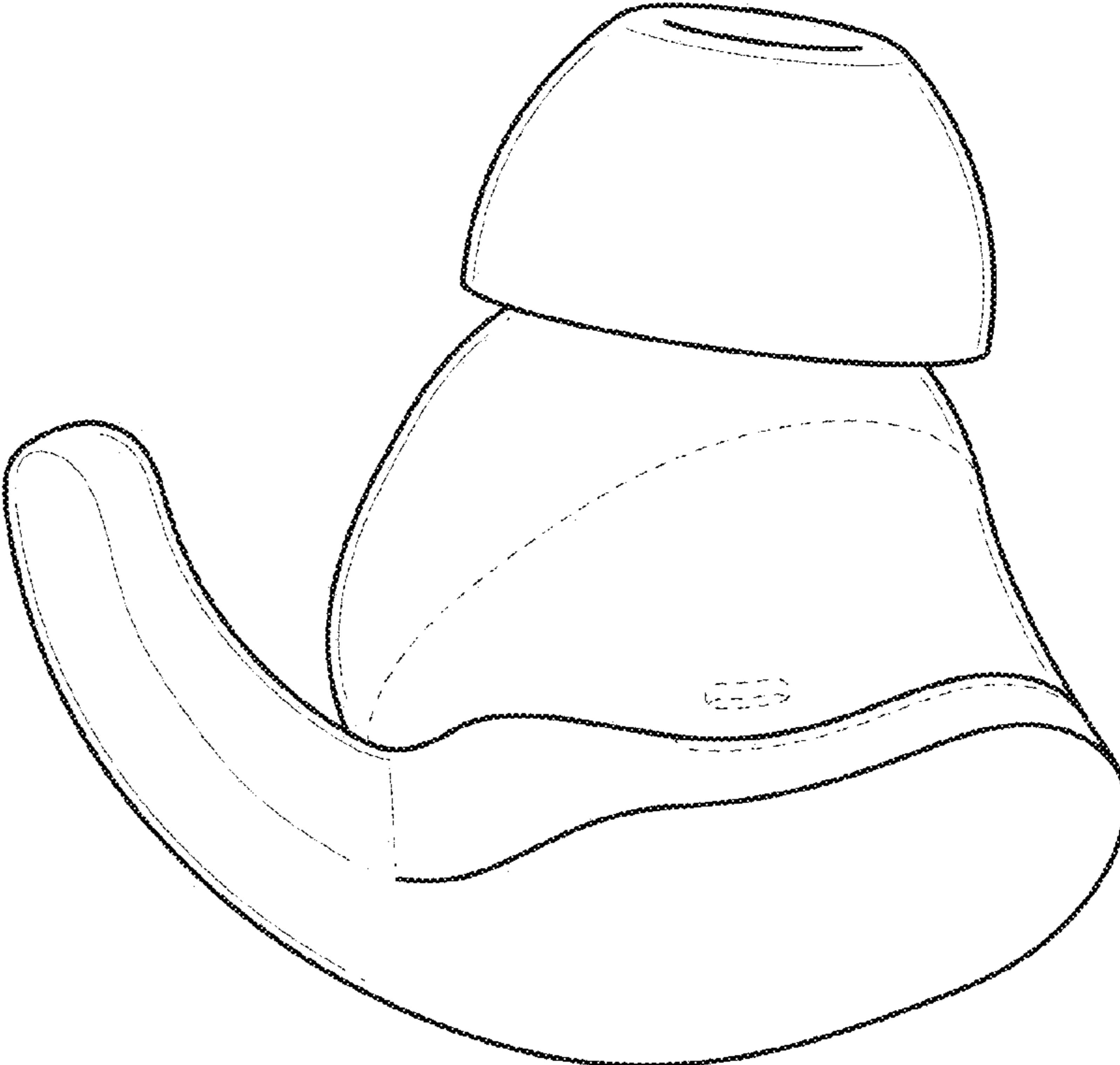


FIG. 2

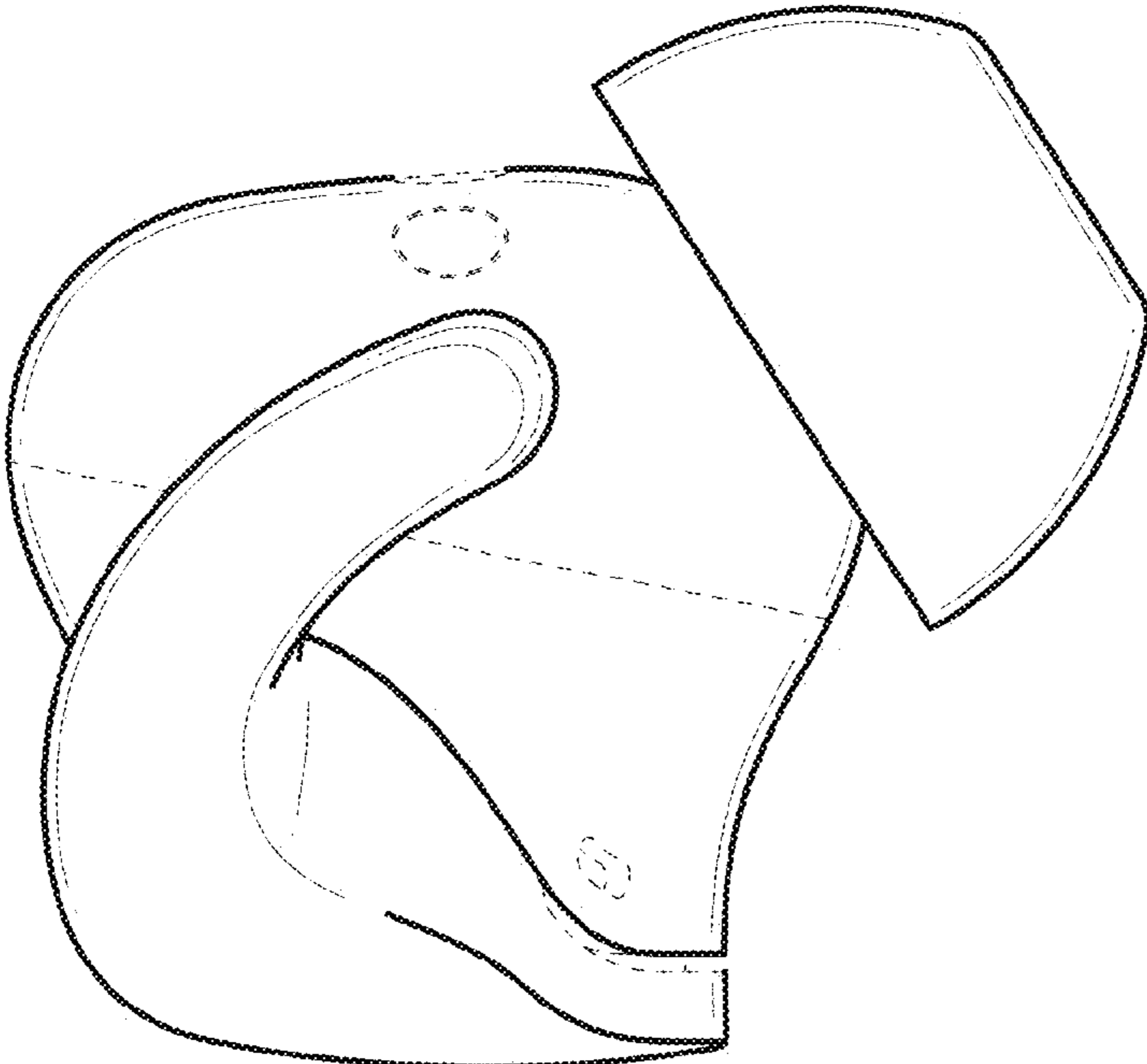


FIG. 3

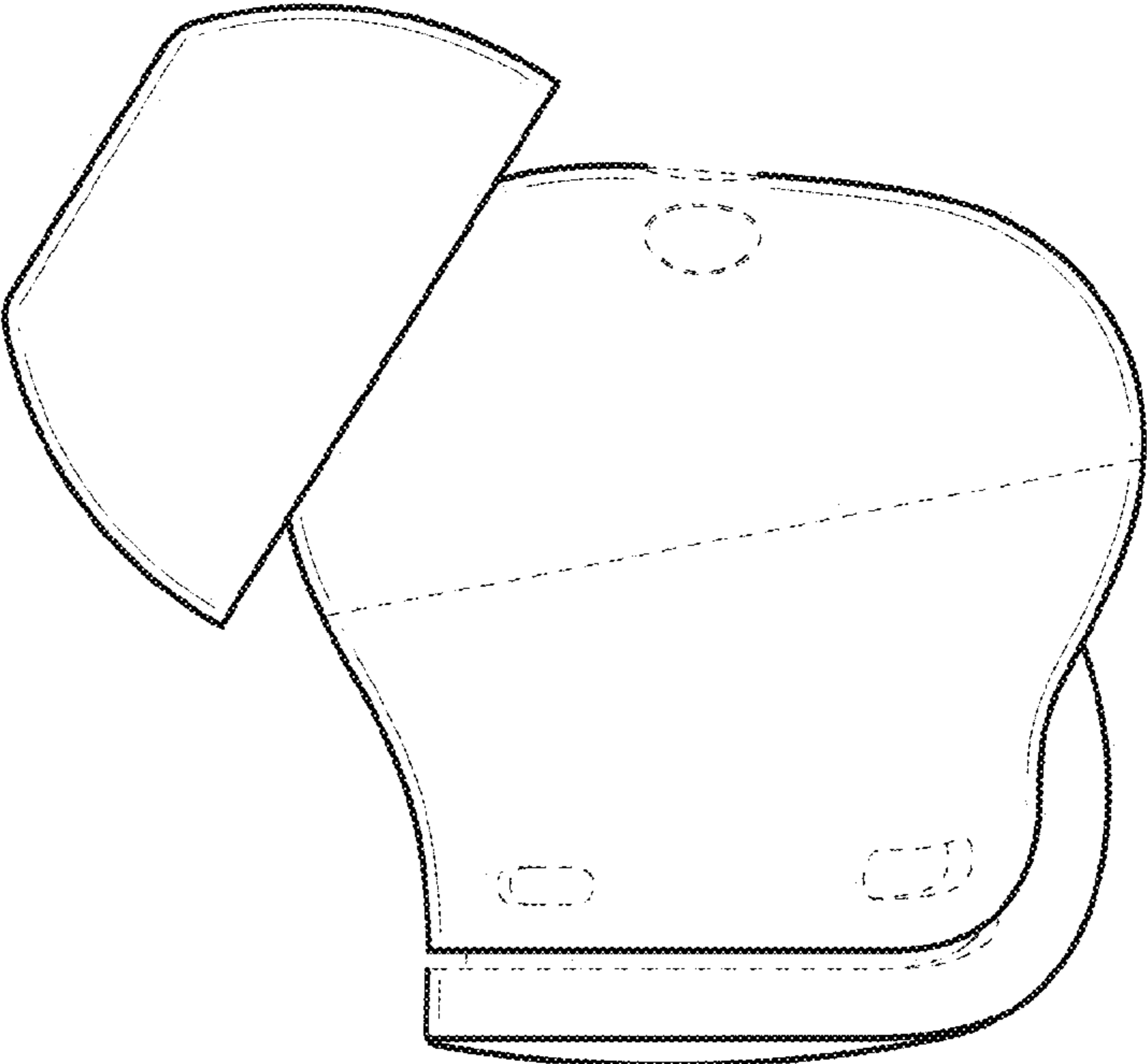


FIG. 4

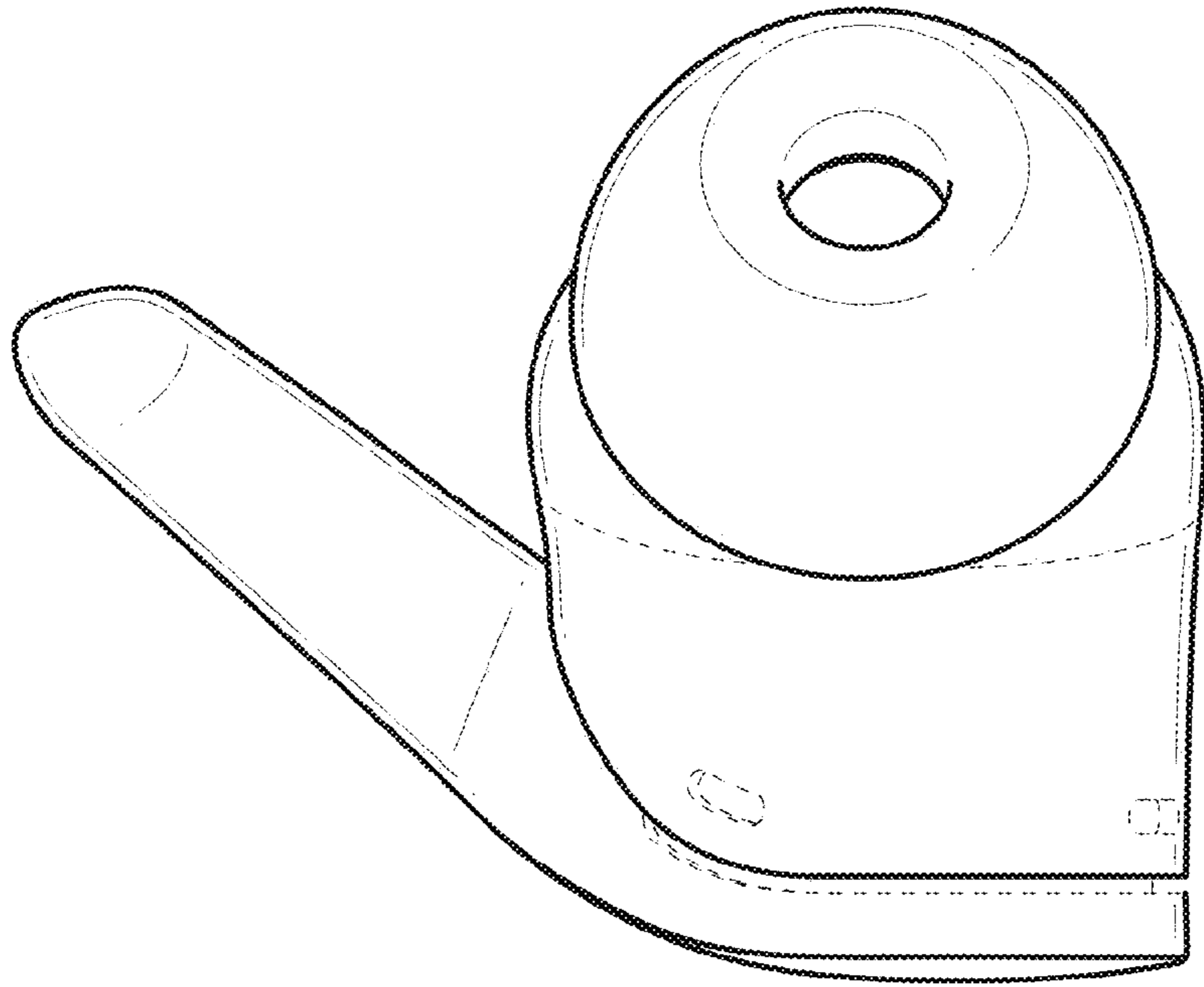


FIG. 5

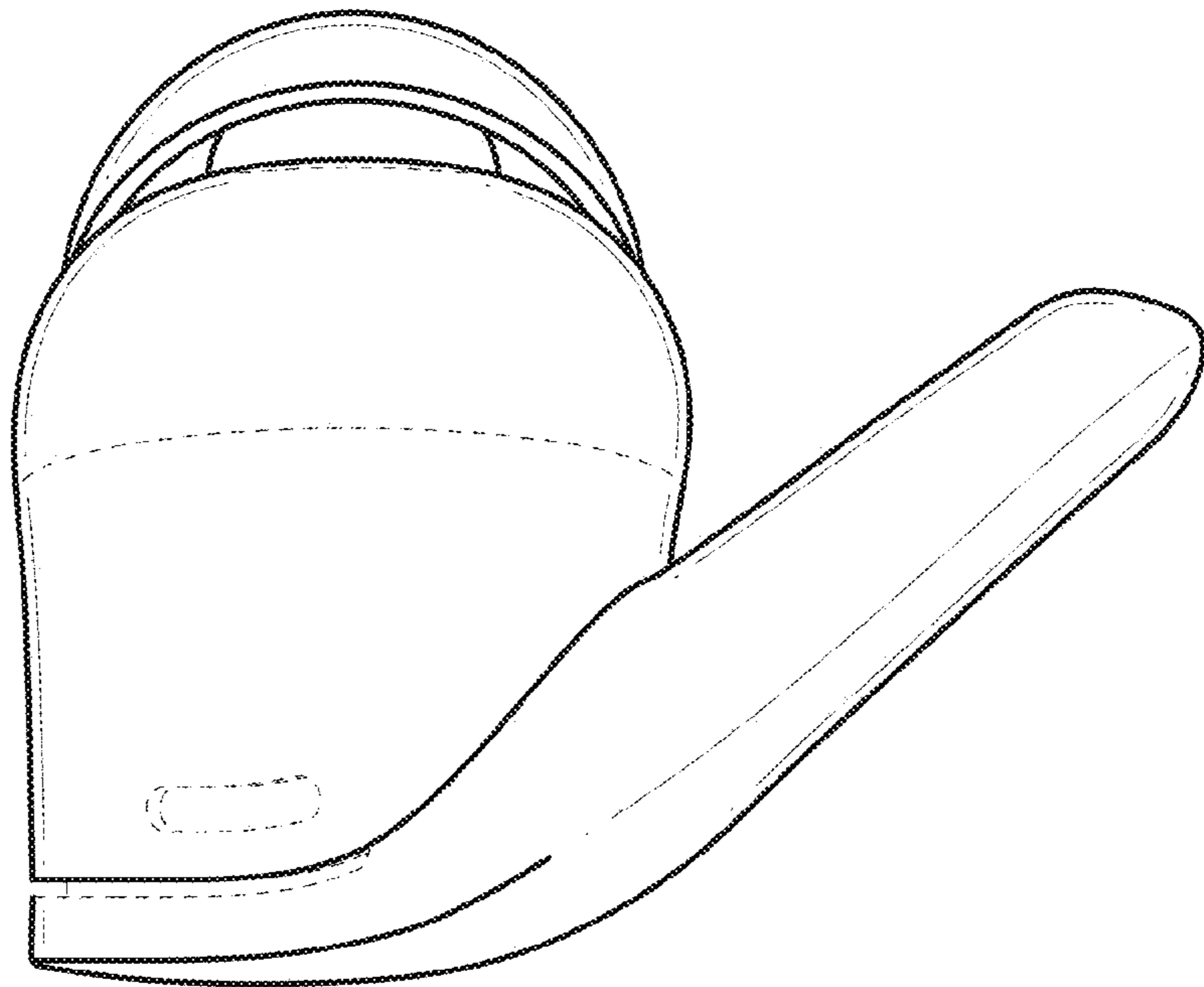


FIG. 6

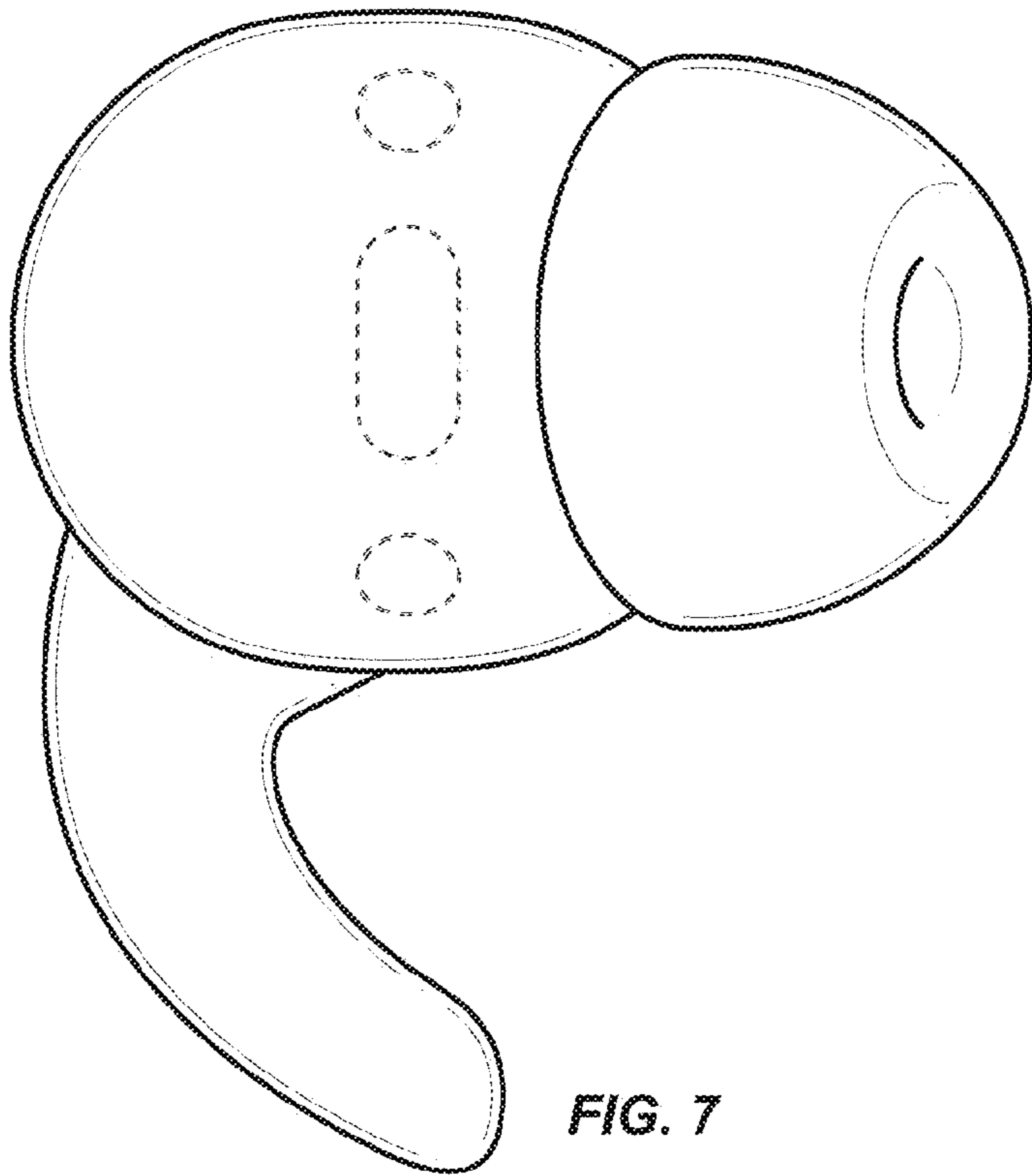


FIG. 7

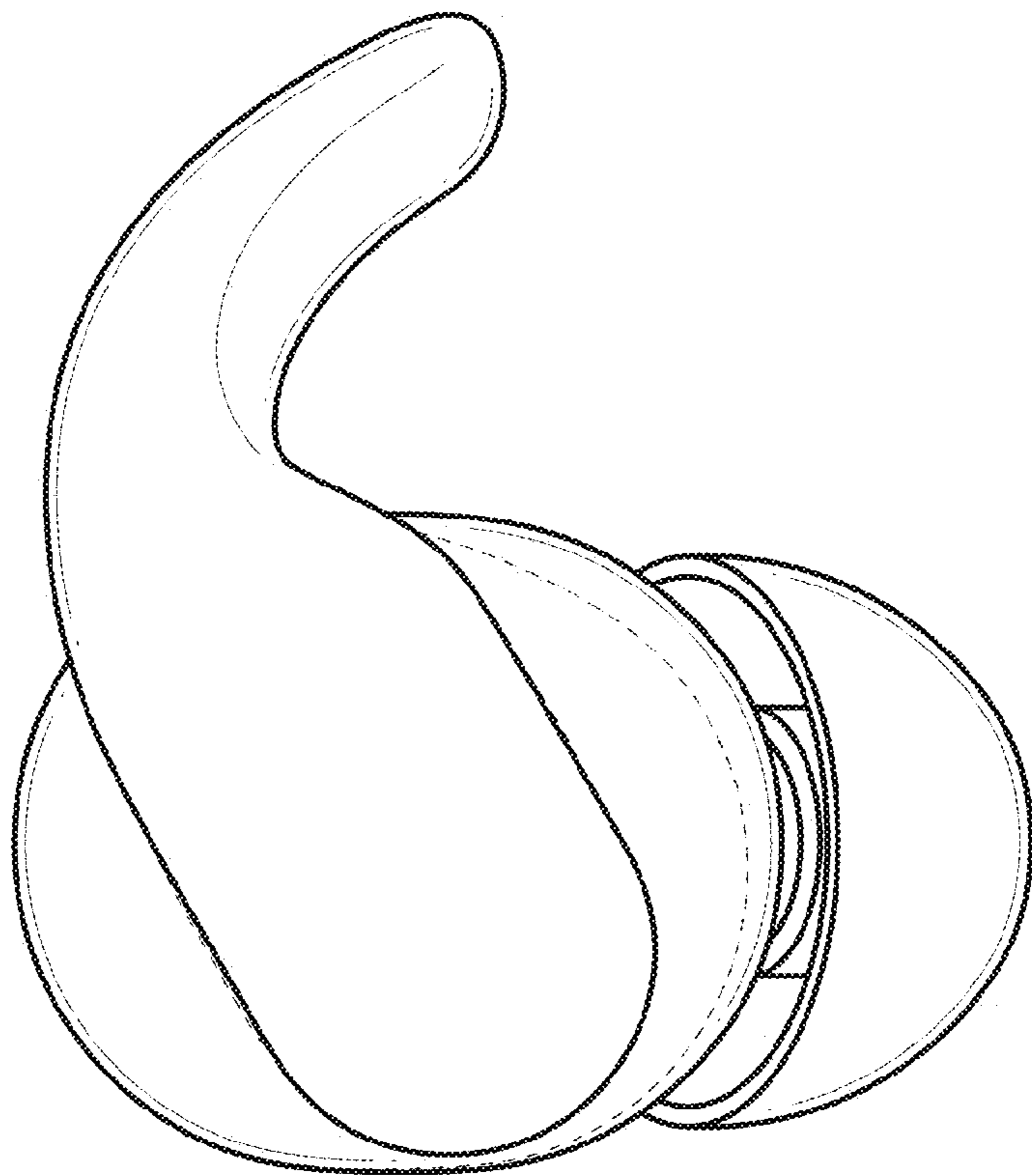


FIG. 8