



US00D975680S

(12) **United States Design Patent** (10) **Patent No.:** **US D975,680 S**  
**Zhu** (45) **Date of Patent:** **\*\* Jan. 17, 2023**

(54) **TV REMOTE CONTROL**

(71) Applicant: **Zhenzhen Zhu**, Guangxi (CN)

(72) Inventor: **Zhenzhen Zhu**, Guangxi (CN)

(\*\*) Term: **15 Years**

(21) Appl. No.: **29/852,093**

(22) Filed: **Sep. 2, 2022**

(51) **LOC (14) Cl.** ..... **14-03**

(52) **U.S. Cl.**  
USPC ..... **D14/218**

(58) **Field of Classification Search**  
USPC ..... D14/218, 217; D13/168  
CPC ..... G08C 17/02; G08C 19/00; G08C 19/12;  
G08C 19/28; G08C 23/04; H04B 1/202;  
H05B 45/00; H05B 47/10; H03J 9/00;  
H03J 9/02; H03J 1/0025; H01H 9/0025;  
H01H 9/0228; H01H 9/0235  
See application file for complete search history.

(56) **References Cited**

**U.S. PATENT DOCUMENTS**

D451,498 S *	12/2001	Rossel	.....	D14/218
D520,495 S *	5/2006	Dukerschein	.....	D14/218
D664,945 S *	8/2012	Morris	.....	D14/218
D665,382 S *	8/2012	Kim	.....	D14/218
D689,468 S *	9/2013	Lim	.....	D14/218
D760,699 S *	7/2016	Peh	.....	D14/218
D809,485 S *	2/2018	McManigal	.....	D14/218
D856,308 S *	8/2019	Pang	.....	D14/218
D898,706 S *	10/2020	Jiang	.....	D14/218
D931,836 S *	9/2021	Pinto Couto	.....	D14/218
D934,838 S *	11/2021	Warrick	.....	D14/218
11,271,413 B2 *	3/2022	Nguyen	.....	A61L 2/26
D952,607 S	5/2022	Lee et al.		
D953,298 S *	5/2022	Zheng	.....	D14/218
11,375,263 B2 *	6/2022	Shohara	.....	H04N 21/42204
D958,760 S *	7/2022	Baek	.....	D13/168

D962,897 S *	9/2022	Wei	.....	D14/218
2009/0051823 A1 *	2/2009	Tsurumoto	.....	G08C 17/00 348/734
2018/0115735 A1 *	4/2018	Hyun	.....	G08C 23/04
2018/0350535 A1 *	12/2018	Maier	.....	H01H 13/70

**FOREIGN PATENT DOCUMENTS**

CN	307338102	*	2/2018
JP	D1728204	*	10/2022
KR	301171603.0000	*	7/2022

**OTHER PUBLICATIONS**

Zyk, "BN59-01312A Voice Replacement Remote Control . . .", available at amazon.com, date first available May 11, 2022, site visited Nov. 16, 2022, available at URL: <https://a.co/d/1i9tFg9> (Year: 2022).\*

\* cited by examiner

*Primary Examiner* — Daniel J Domino

*Assistant Examiner* — Samina Vieth

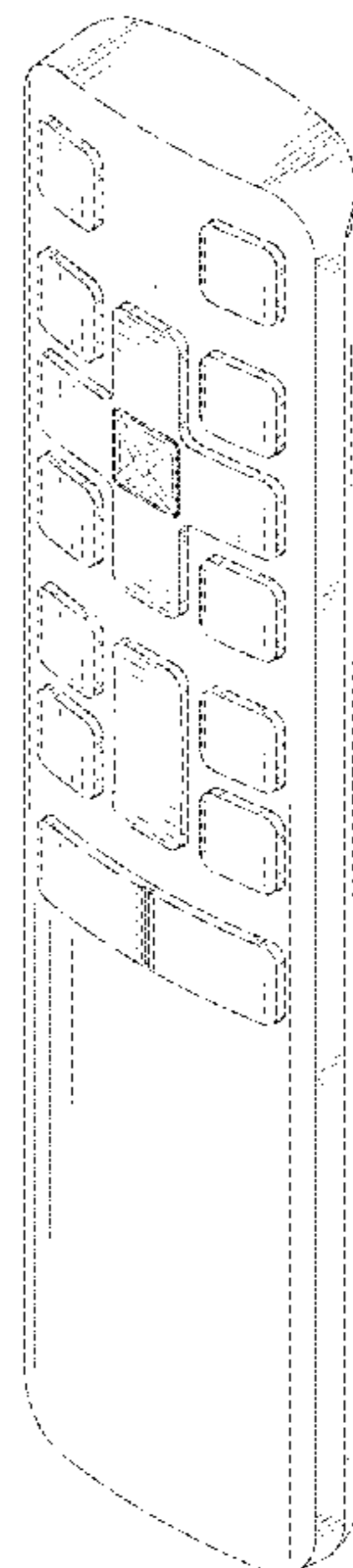
(57) **CLAIM**

The ornamental design for a TV remote control, as shown and described.

**DESCRIPTION**

FIG. 1 is a front and top perspective view of a TV remote control, showing my new design;  
FIG. 2 is a rear and bottom perspective view thereof;  
FIG. 3 is a front elevation view thereof;  
FIG. 4 is a rear elevation view thereof;  
FIG. 5 is a left side elevation view thereof;  
FIG. 6 is a right side elevation view thereof;  
FIG. 7 is a top plan view thereof; and,  
FIG. 8 is a bottom plan view thereof.  
The broken lines in the figures illustrate portions of the TV remote control that form no part of the claimed design.

**1 Claim, 8 Drawing Sheets**



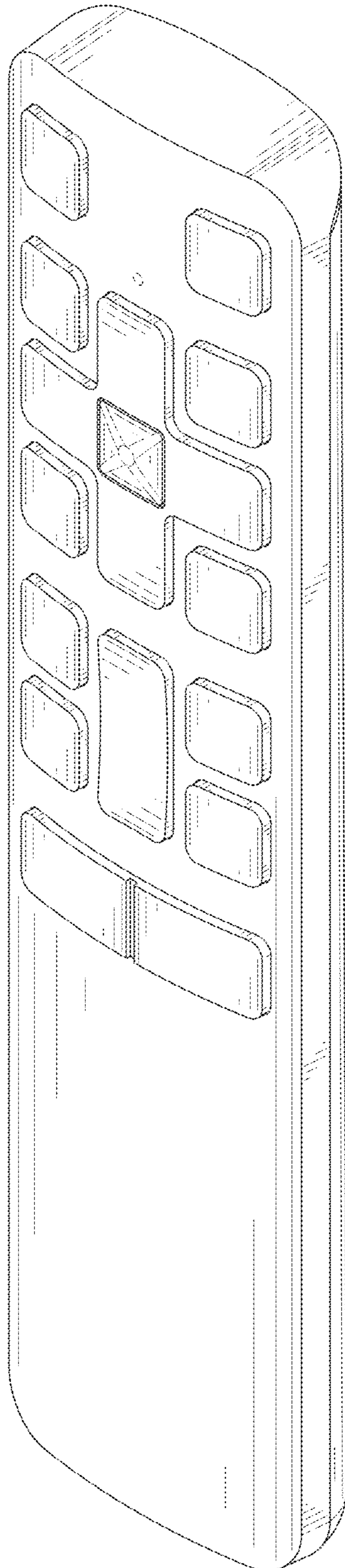


FIG. 1

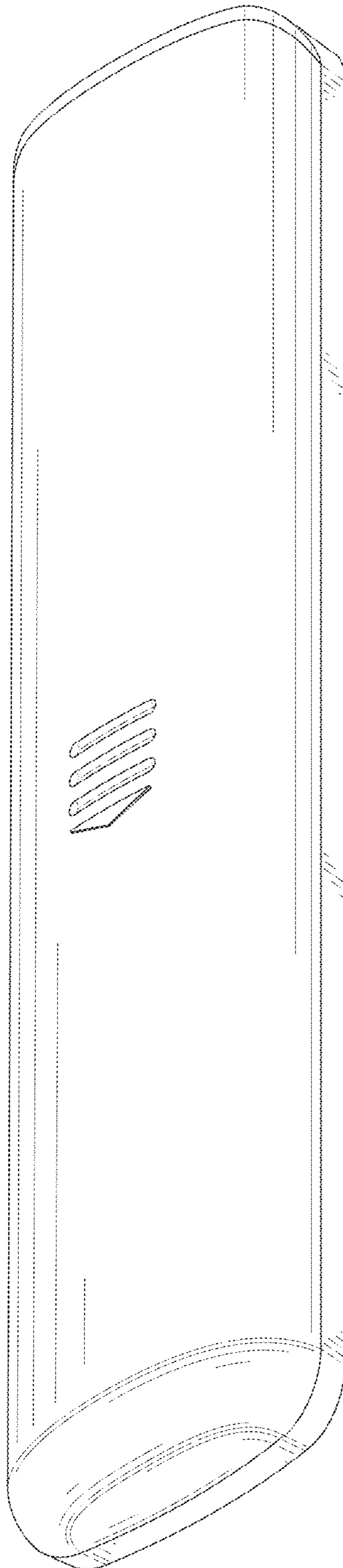


FIG. 2

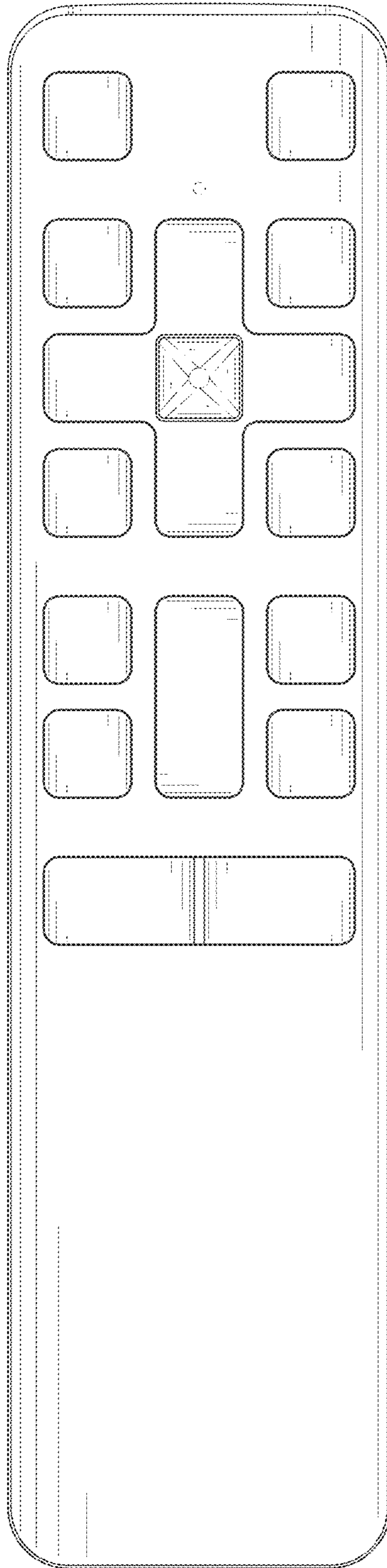


FIG. 3

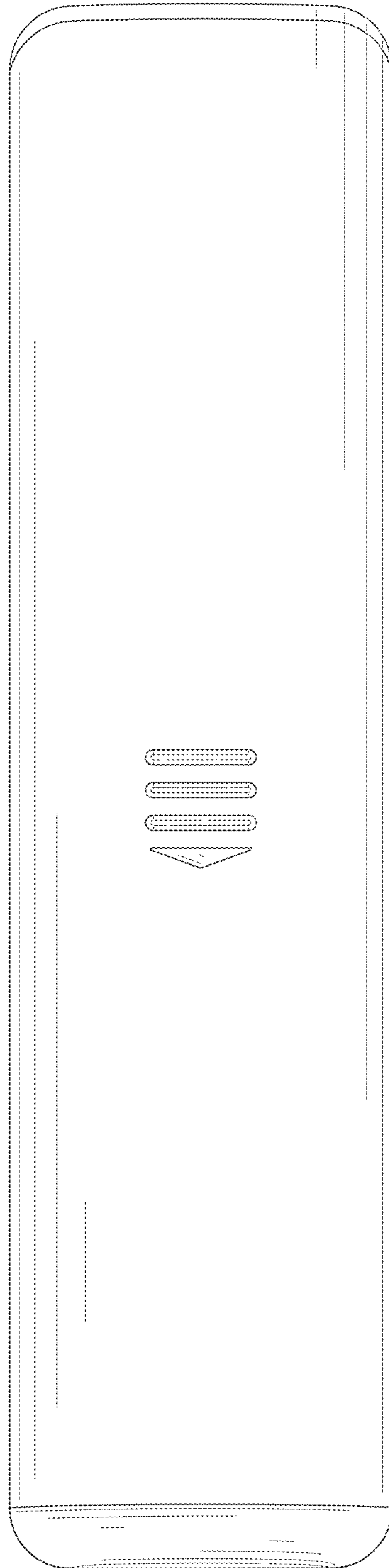


FIG. 4

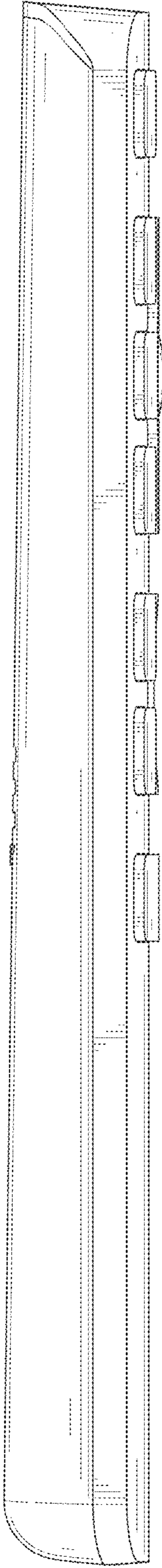


FIG. 5

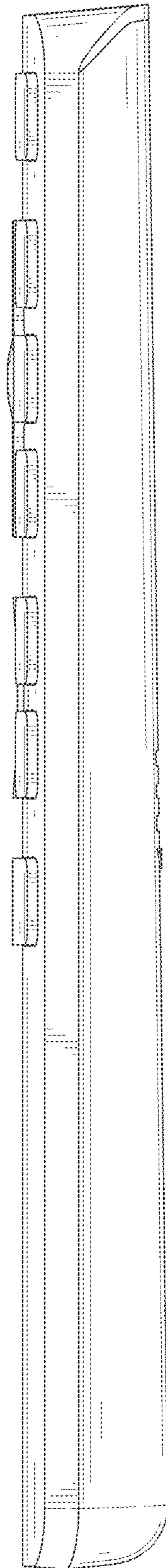


FIG. 6

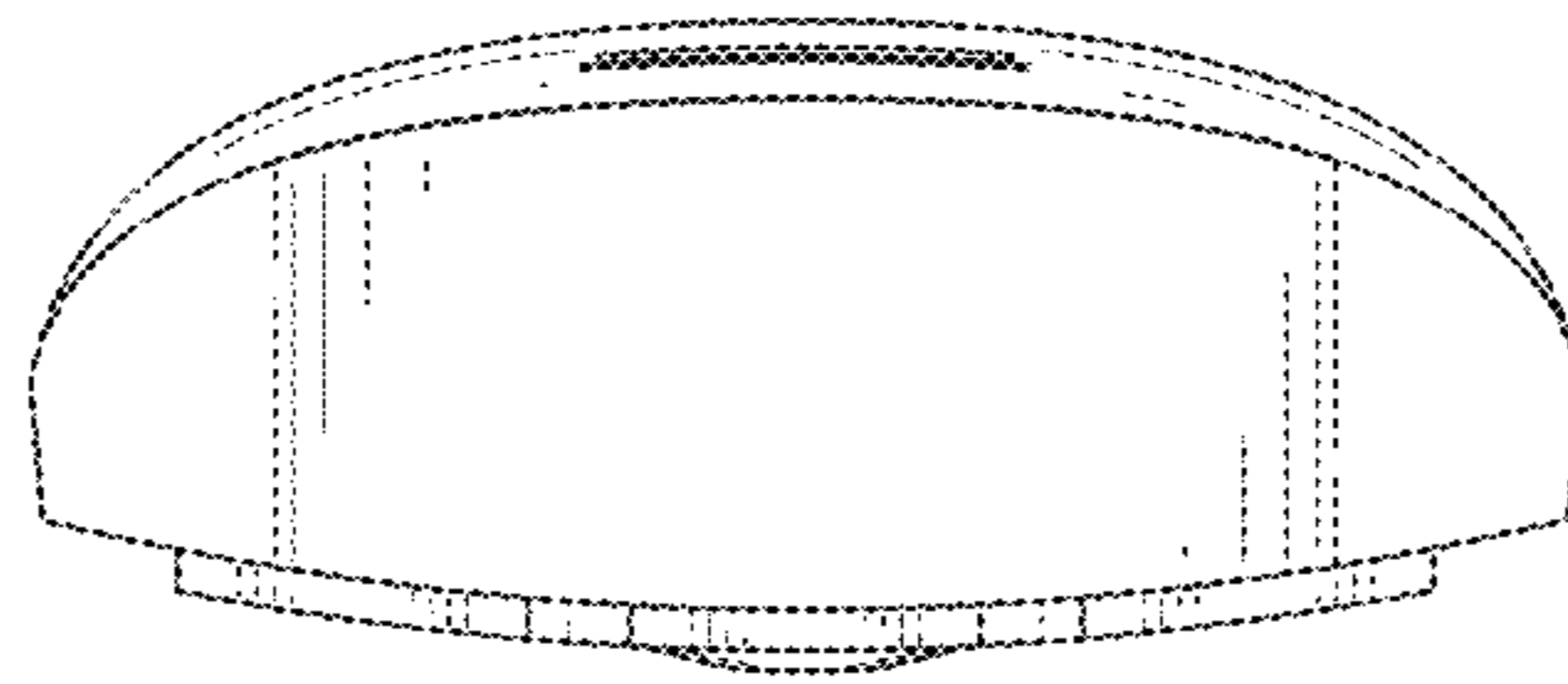


FIG. 7



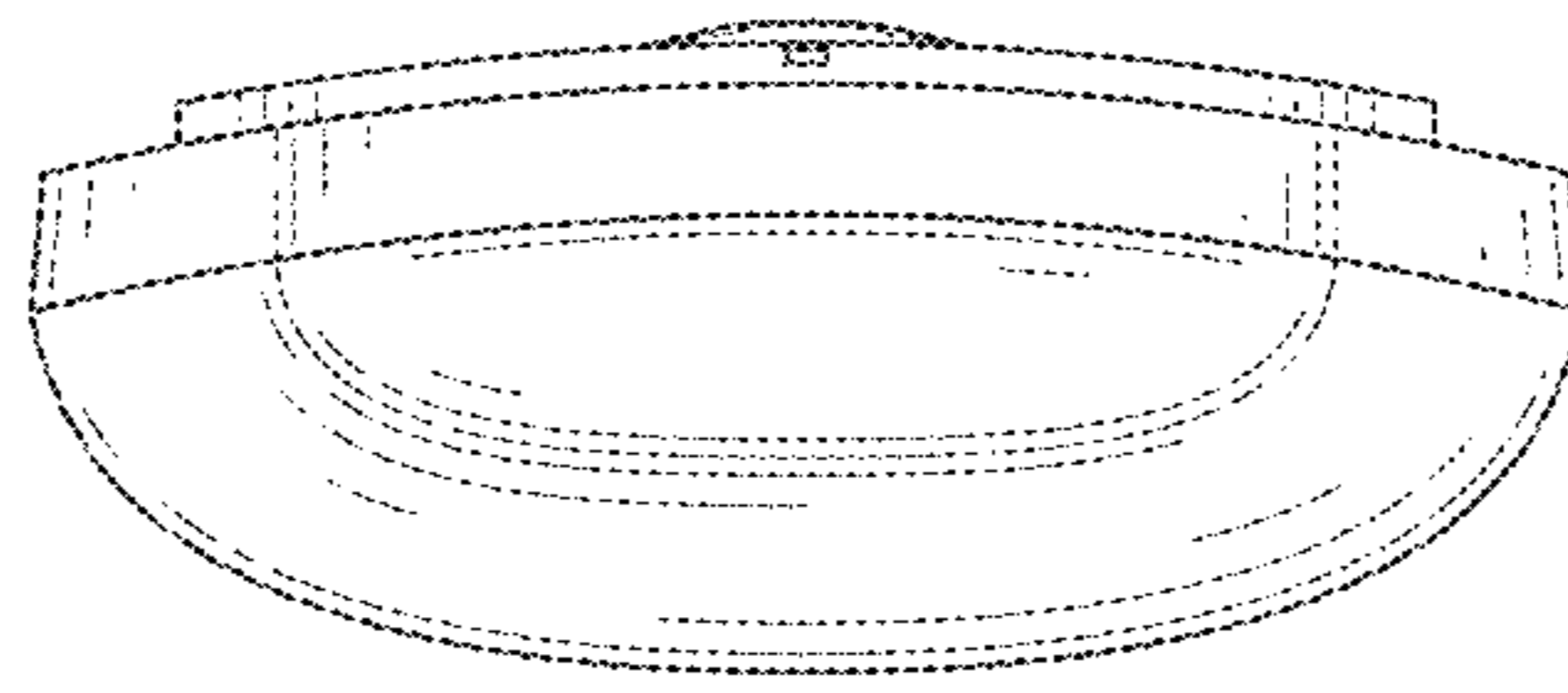


FIG. 8