



US00D975678S

(12) **United States Design Patent**
Wang

(10) **Patent No.:** **US D975,678 S**
(45) **Date of Patent:** **** Jan. 17, 2023**

(54) **HEADSET**
(71) Applicant: **SHENZHEN DIYIN ELECTRONICS CO., LTD.**, Shenzhen (CN)
(72) Inventor: **Guangyue Wang**, Qufu (CN)
(73) Assignee: **SHENZHEN DIYIN ELECTRONICS CO., LTD.**, Shenzhen (CN)
(**) Term: **15 Years**

D700,590 S * 3/2014 Heath D14/205
D722,590 S * 2/2015 Lu D14/205
D733,090 S * 6/2015 Petersen D14/205
D758,991 S * 6/2016 Petersen D14/205
D763,226 S * 8/2016 Petersén D14/205
D780,156 S * 2/2017 Petersen D14/205
D790,504 S * 6/2017 Tam D14/205
D795,218 S * 8/2017 Ohmachi D14/205
D796,478 S * 9/2017 Minn D14/205
D820,813 S * 6/2018 Sharp D14/206
D830,330 S * 10/2018 Petersen D14/205

(Continued)

(21) Appl. No.: **29/778,802**
(22) Filed: **Apr. 15, 2021**
(51) **LOC (14) Cl.** **14-01**
(52) **U.S. Cl.**
USPC **D14/206**
(58) **Field of Classification Search**
USPC D14/206, 205; D29/112; D28/41;
2/209; 381/380-381
CPC H04R 25/00; H04R 25/02; H04R 1/1066;
H04R 1/1016; H04R 5/033; H04R
5/0335; H04R 1/105; H04R 1/1008;
H04R 1/1058; H04R 1/1091
See application file for complete search history.

FOREIGN PATENT DOCUMENTS

EM 005762507-0001 * 10/2018
GB 9004652501-0001 * 1/2018
GB 6230833 * 9/2022

Primary Examiner — Paula Allen Greene

(57) **CLAIM**

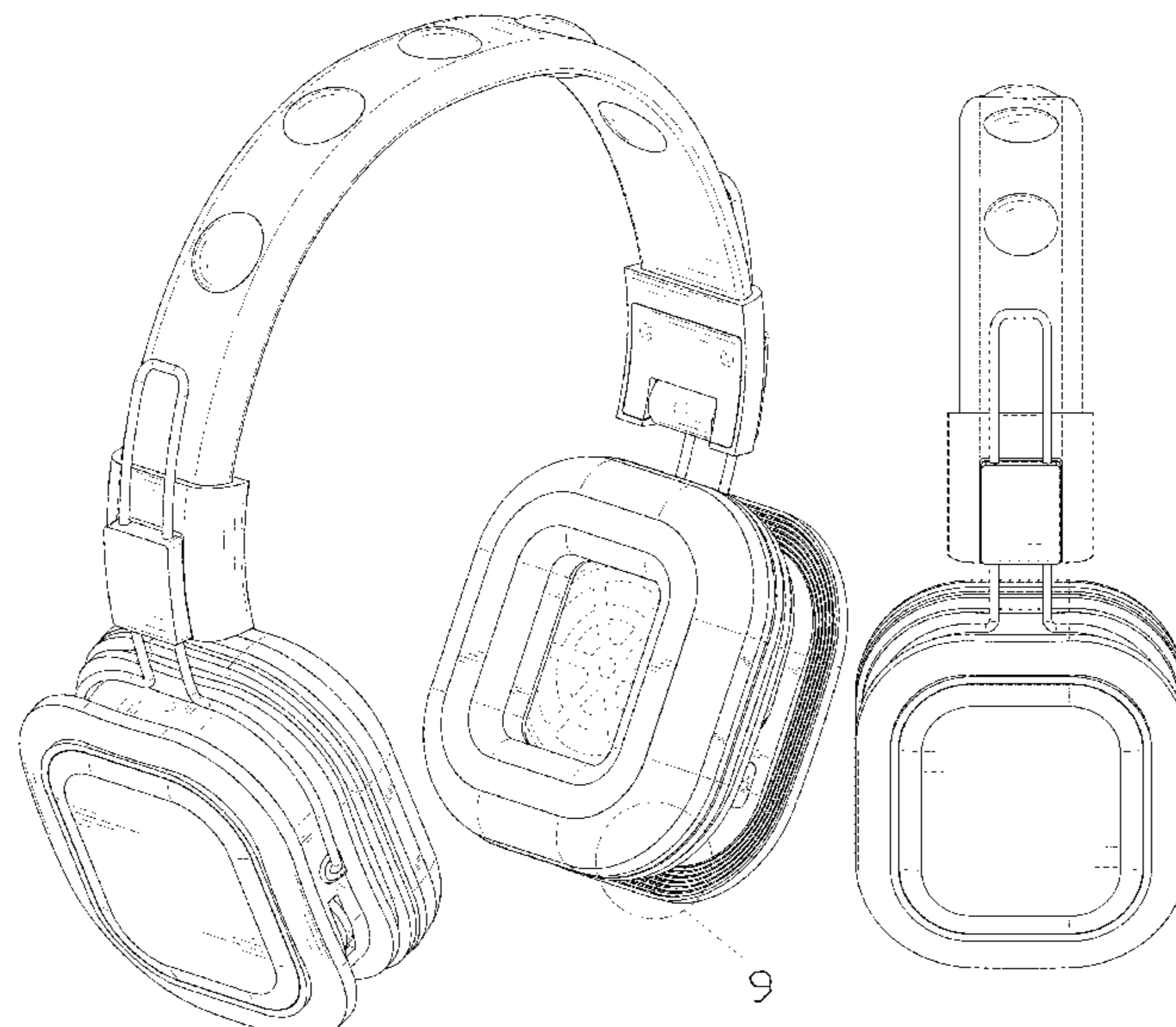
The ornamental design for a headset, as shown and described.

DESCRIPTION

FIG. 1 is a perspective view of a headset showing my new design;
FIG. 2 is another perspective view thereof;
FIG. 3 is a front elevational view thereof;
FIG. 4 is a rear elevational view thereof;
FIG. 5 is a left side elevational view thereof;
FIG. 6 is a right side elevational view thereof;
FIG. 7 is a top plan view thereof; and
FIG. 8 is a bottom plan view thereof; and,
FIG. 9 is an enlarged view of portion 9 shown in FIG. 1.
The broken lines in the drawings depict portions of the headset that form no part of the claimed design.
The dot dash broken lines encircling portions of the headset in FIG. 1 and illustrated in the enlarged view of FIG. 9 forms no part of the claimed design.

1 Claim, 9 Drawing Sheets

(56) **References Cited**
U.S. PATENT DOCUMENTS
1,127,249 A * 2/1915 Hughes A01K 27/007
119/856
2,342,066 A * 2/1944 Tramill A01K 27/007
222/502
4,209,204 A * 6/1980 Wagner B62D 55/0887
277/380
4,783,822 A * 11/1988 Toole H04R 5/0335
2/209
D317,767 S * 6/1991 Banks D14/206
D336,692 S * 6/1993 Steiner D30/152
D519,110 S * 4/2006 Komiyama D14/223
D519,497 S * 4/2006 Komiyama D14/223
D668,633 S * 10/2012 Enquist D14/205



(56)

References Cited

U.S. PATENT DOCUMENTS

D830,331	S *	10/2018	Petersen	D14/205
D837,763	S *	1/2019	Suzuki	D14/205
D842,270	S *	3/2019	Chen	D14/205
D849,712	S *	5/2019	Billaudet	D14/205
D857,652	S *	8/2019	Wang	D14/205
D864,896	S *	10/2019	Zhang	D14/205
D874,430	S *	2/2020	Liu	D14/205
D886,078	S *	6/2020	He	D14/206
D896,782	S *	9/2020	Li	D14/206
D944,766	S *	3/2022	He	D14/206
D944,767	S *	3/2022	He	D14/206
D949,125	S *	4/2022	Liu	D14/206
D954,021	S *	6/2022	He	D14/205
2005/0053255	A1 *	3/2005	Harris	H04R 1/1066 381/370
2006/0104471	A1 *	5/2006	Tsunoda	H04R 1/1041 381/370
2014/0270232	A1 *	9/2014	Vroom	H04R 5/0335 381/74
2016/0050486	A1 *	2/2016	Uggla	H04R 5/0335 381/378
2016/0198250	A1 *	7/2016	Pan	H04R 1/1041 381/74
2018/0124488	A1 *	5/2018	Ito	H04R 5/033
2019/0373353	A1 *	12/2019	Yuen	H02J 50/10
2021/0377672	A1 *	12/2021	Grinnip, III	H04R 1/1008

* cited by examiner



FIG. 1



FIG. 2



FIG. 3



FIG. 4

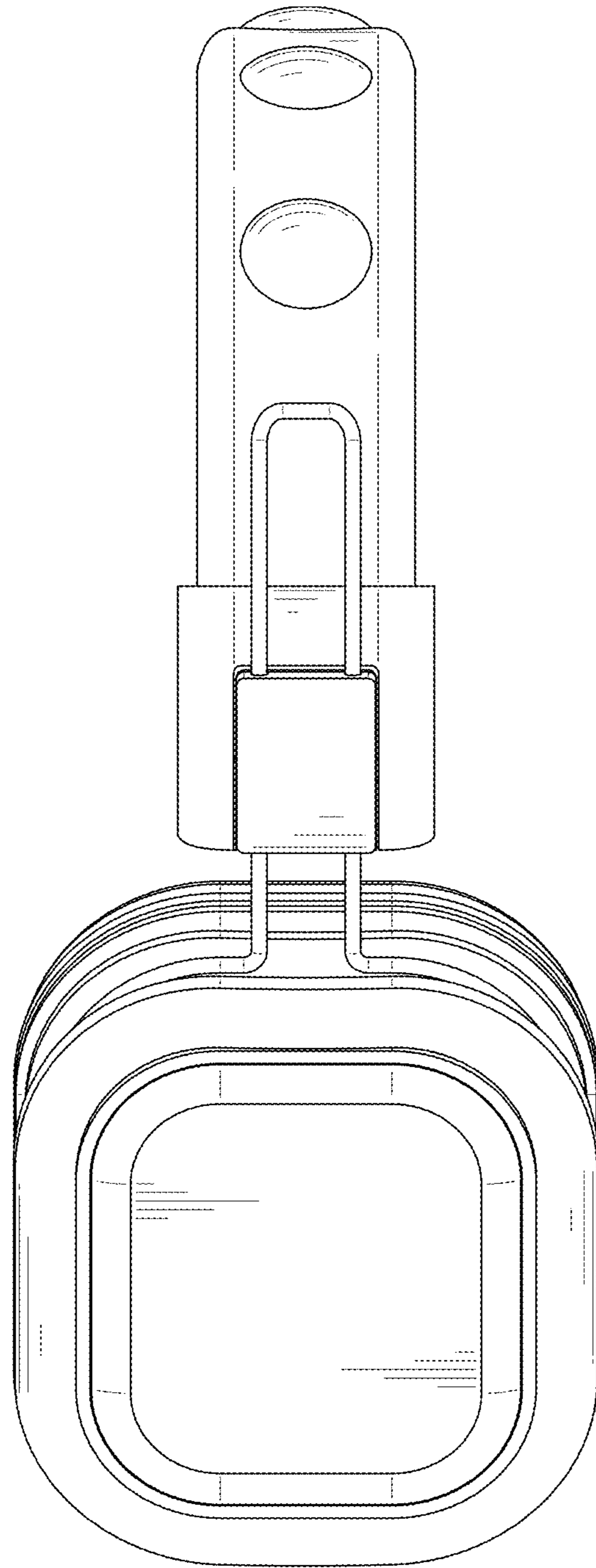


FIG. 5

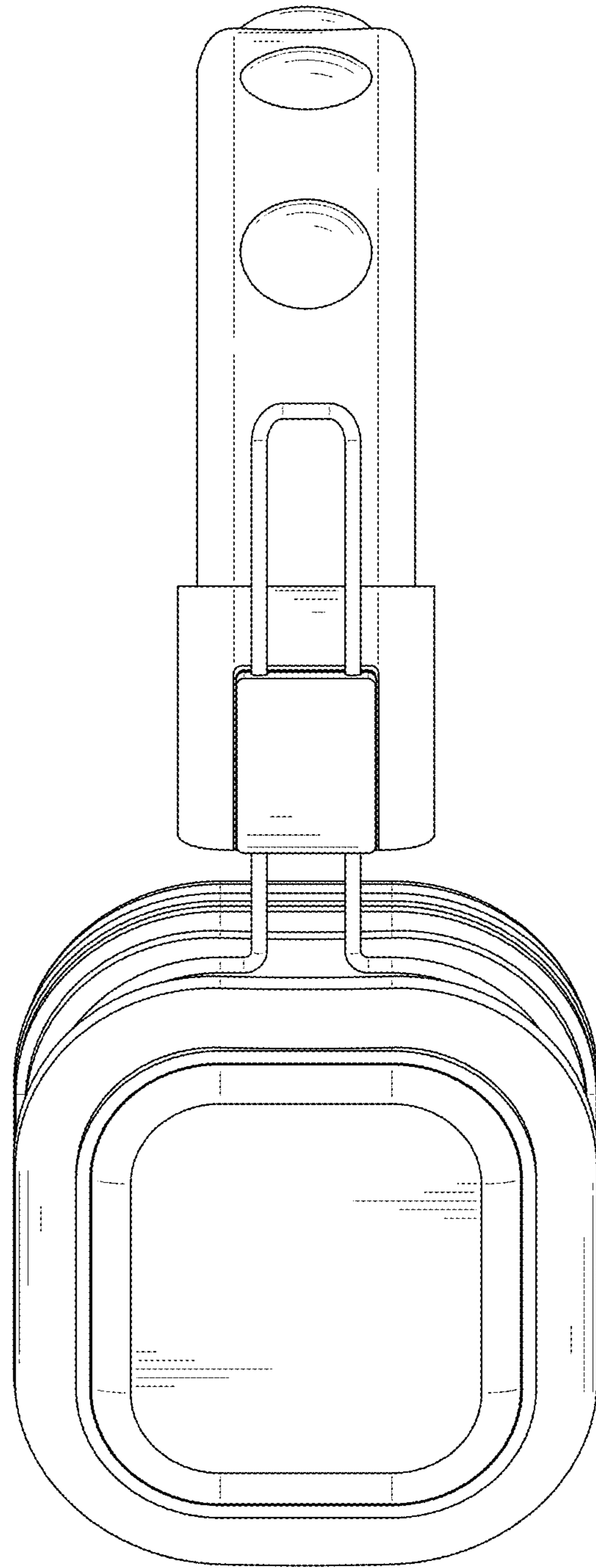


FIG. 6

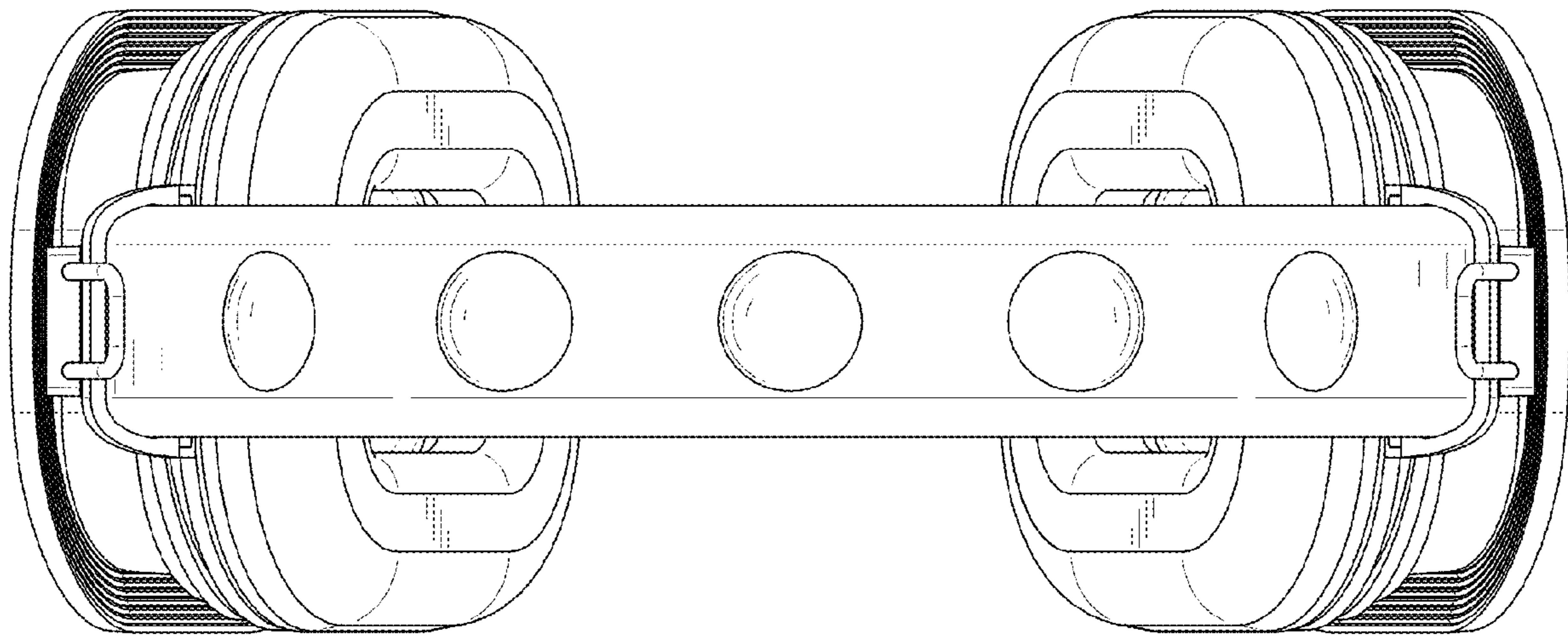


FIG. 7

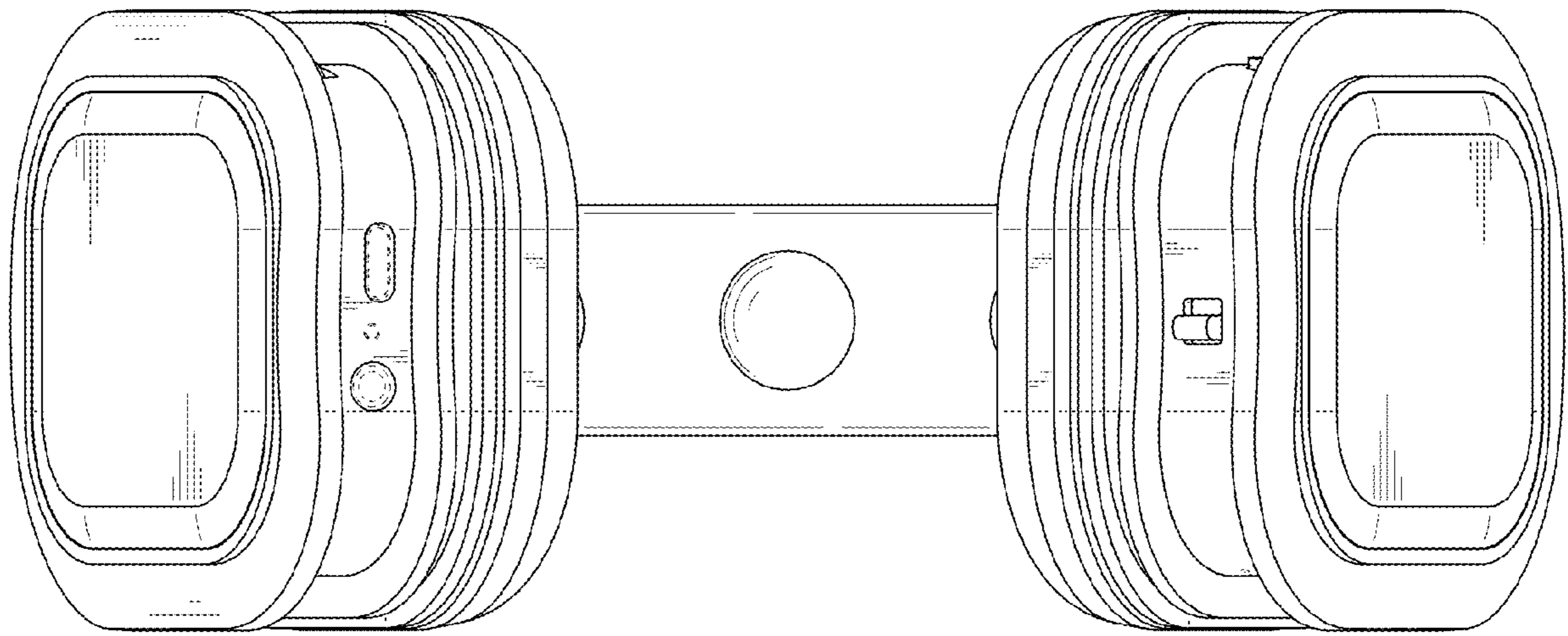


FIG. 8

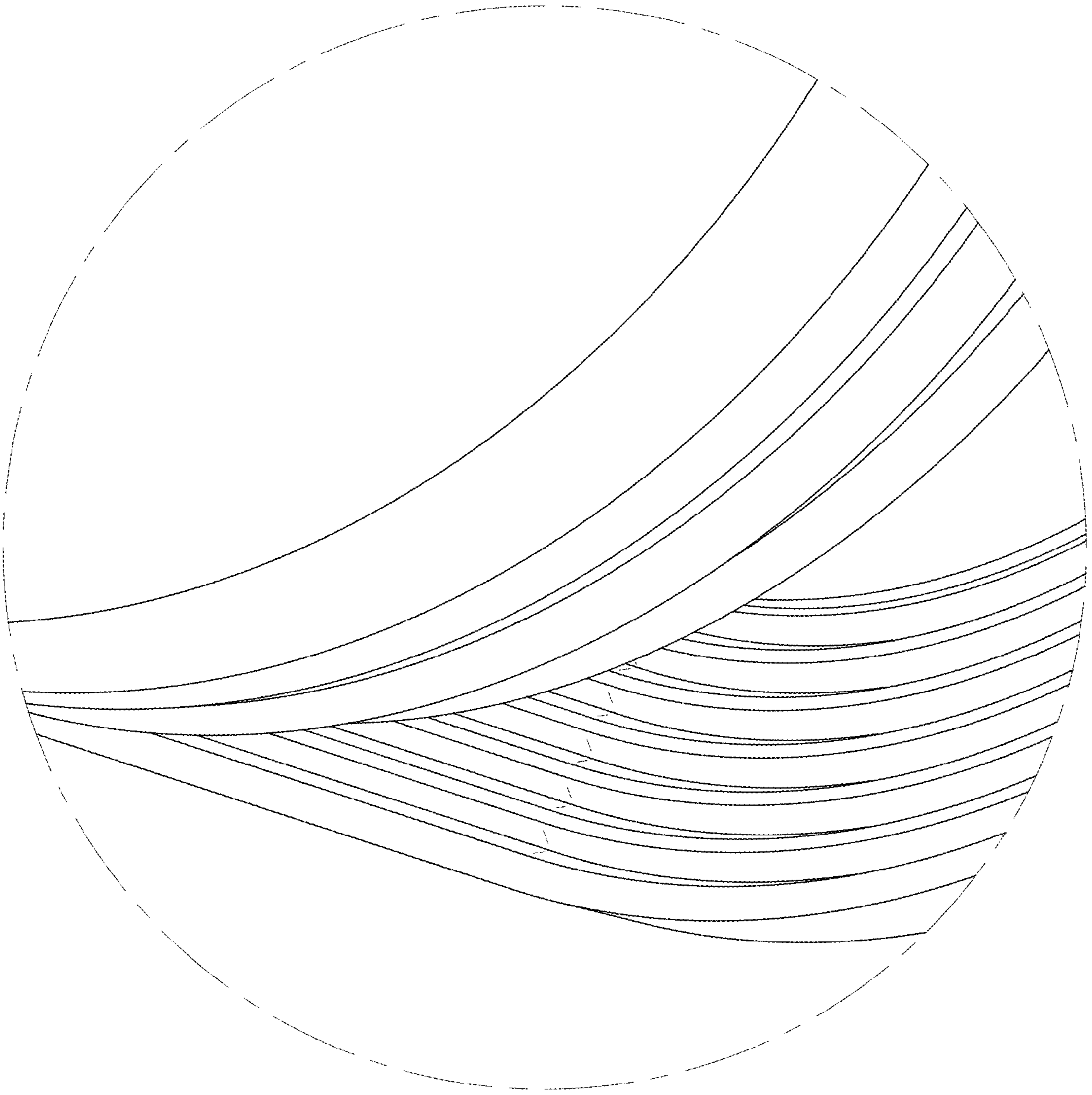


FIG. 9