

US00D975677S

(12) **United States Design Patent**
Sun

(10) **Patent No.:** **US D975,677 S**

(45) **Date of Patent:** **** Jan. 17, 2023**

(54) **HEADPHONE**

(71) Applicant: **Xiwan Sun**, Guangdong (CN)

(72) Inventor: **Xiwan Sun**, Guangdong (CN)

(**) Term: **15 Years**

(21) Appl. No.: **29/769,995**

(22) Filed: **Feb. 9, 2021**

(51) **LOC (14) Cl.** **14-01**

(52) **U.S. Cl.**

USPC **D14/206**; D14/226

(58) **Field of Classification Search**

USPC D14/206, 226, 225; D29/112; 2/209;
362/105, 86; 381/380-381, 374

CPC H04R 25/00; H04R 1/1066; H04R 1/1016;
H04R 5/033; H04R 5/0335; H04R 1/105;
H04R 1/1058; H04R 19/04; H04R 11/06;
H04R 1/1008; F21V 33/0056

See application file for complete search history.

(56) **References Cited**

U.S. PATENT DOCUMENTS

- 5,406,037 A * 4/1995 Nageno H04R 5/0335
181/129
- D567,215 S * 4/2008 Lee D14/205
- D661,685 S * 6/2012 Lee D14/205
- D691,582 S * 10/2013 Nguyen H04R 1/1008
D14/205
- D693,327 S * 11/2013 Chiu D14/206
- D699,216 S * 2/2014 Bonahoom D14/206
- D713,375 S * 9/2014 Dedinas D14/206
- D717,764 S * 11/2014 Lee D14/205
- D727,288 S * 4/2015 Yamasaki D14/205
- D728,512 S * 5/2015 Nakagawa D14/205
- D733,677 S * 7/2015 Ling D14/206
- D766,208 S * 9/2016 Paterson D14/205
- D772,842 S * 11/2016 Sharp D14/205
- D788,071 S * 5/2017 Logan D14/205

- D791,734 S * 7/2017 Ou D14/206
- D800,092 S * 10/2017 Paterson D14/206
- D815,614 S * 4/2018 Tzeng D14/206
- D824,362 S * 7/2018 Probst D14/206
- D841,620 S * 2/2019 Liu D14/206
- D845,927 S * 4/2019 Wang D14/206
- D851,063 S * 6/2019 Deng D14/206
- D851,064 S * 6/2019 Wang D14/206
- D856,967 S * 8/2019 Tang D14/206
- D856,968 S * 8/2019 Tang D14/206
- D856,969 S * 8/2019 Tang D14/206
- D856,970 S * 8/2019 Tang D14/206
- D856,971 S * 8/2019 Tang D14/206
- D859,355 S * 9/2019 Hu D14/206
- D864,155 S * 10/2019 Liu D14/206
- D864,903 S * 10/2019 Liu D14/206
- D866,515 S * 11/2019 Long D14/206
- D868,734 S * 12/2019 Wang D14/206

(Continued)

FOREIGN PATENT DOCUMENTS

- CN 305291280 * 8/2019
- CN 305981058 * 8/2020

(Continued)

Primary Examiner — Paula Allen Greene

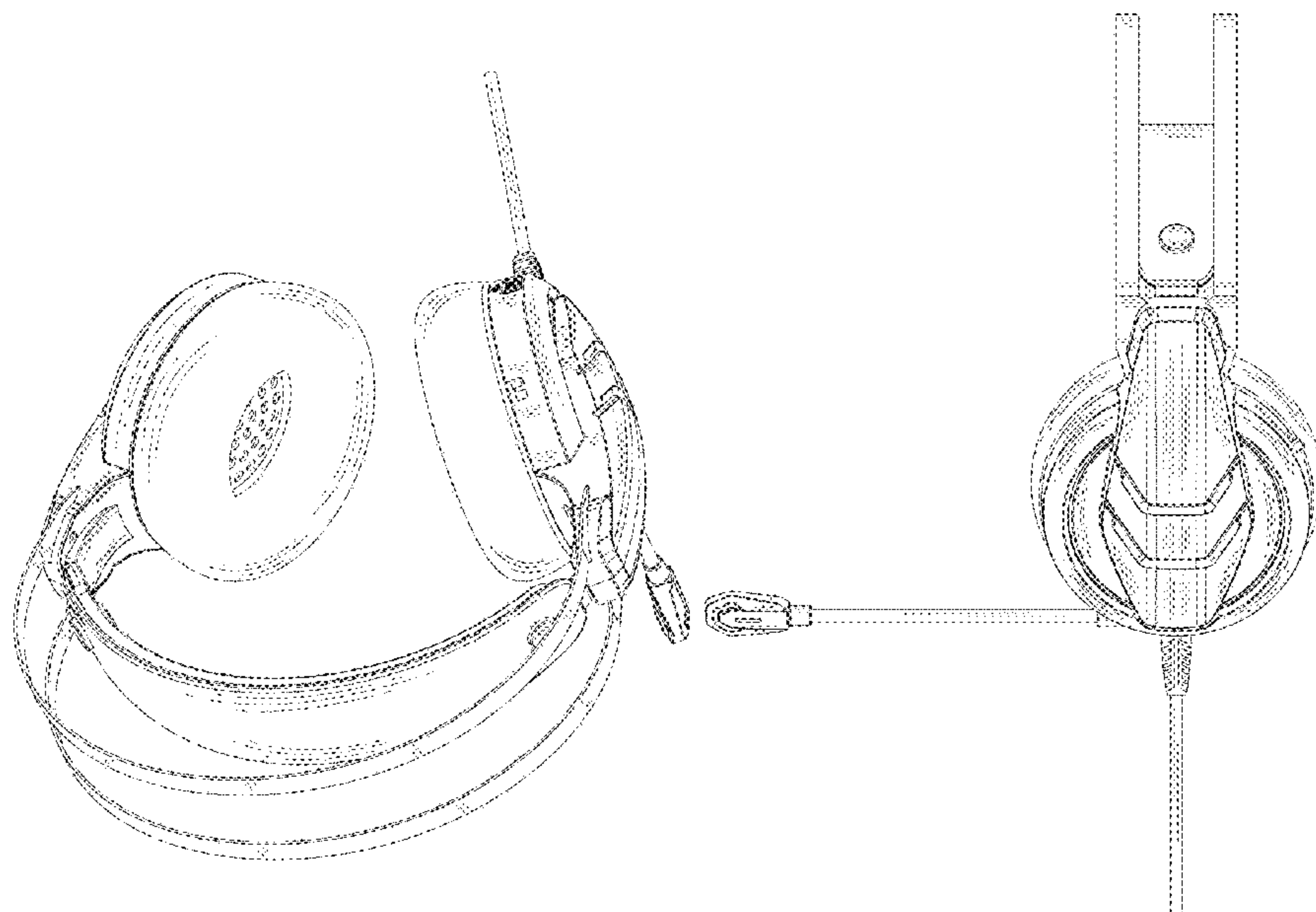
(57) **CLAIM**

The ornamental design for a headphone, as shown and described.

DESCRIPTION

FIG. 1 is a perspective view of a headphone showing my new design;
 FIG. 2 is a front elevation view thereof;
 FIG. 3 is a rear elevation view thereof;
 FIG. 4 is a left side elevation view thereof;
 FIG. 5 is a right side elevation view thereof;
 FIG. 6 is a top plan view thereof; and,
 FIG. 7 is a bottom plan view thereof.

1 Claim, 7 Drawing Sheets



(56)

References Cited

U.S. PATENT DOCUMENTS

D870,696 S * 12/2019 Deng D14/206
 D870,698 S * 12/2019 Long D14/206
 D876,392 S * 2/2020 Zhou D14/206
 D877,116 S * 3/2020 Liu D14/206
 D880,450 S * 4/2020 Liu D14/206
 D883,950 S * 5/2020 Liu D14/206
 D890,131 S * 7/2020 Shen D14/206
 D894,869 S * 9/2020 Tang D14/206
 D909,337 S * 2/2021 Liu D14/206
 D910,595 S * 2/2021 Shen D14/206
 D931,831 S * 9/2021 Liu D14/206
 D935,439 S * 11/2021 Zheng D14/206
 D935,441 S * 11/2021 Liu D14/206
 D940,099 S * 1/2022 Zheng D14/206
 D940,100 S * 1/2022 Xie D14/206
 D941,802 S * 1/2022 He D14/206
 D941,803 S * 1/2022 He D14/206
 D948,473 S * 4/2022 Zhou D14/206
 D948,474 S * 4/2022 Zhou D14/206
 D949,127 S * 4/2022 Shen D14/206
 D950,519 S * 5/2022 Xie D14/206

D952,601 S * 5/2022 Chen D14/206
 D953,292 S * 5/2022 Zhang D14/206
 2004/0252487 A1* 12/2004 McCullough F21V 33/0056
 362/86
 2011/0194721 A1* 8/2011 Schmidt H04R 19/04
 381/370
 2012/0288131 A1* 11/2012 Vaerum H04R 1/1066
 381/378
 2015/0281850 A1* 10/2015 Wang H04R 5/033
 381/74
 2016/0165021 A1* 6/2016 Broadley H04M 1/0258
 455/569.1
 2017/0019728 A1* 1/2017 Cochran H04R 1/1091
 2019/0069065 A1* 2/2019 Brace H04R 1/1008
 2019/0110122 A1* 4/2019 Zelnick H04R 1/1066
 2019/0238998 A1* 8/2019 Zhang H04R 7/04
 2020/0288234 A1* 9/2020 Fletcher H04R 1/1066

FOREIGN PATENT DOCUMENTS

CN 306297455 * 1/2021
 CN 306314784 * 2/2021
 CN 307495747 * 8/2022

* cited by examiner

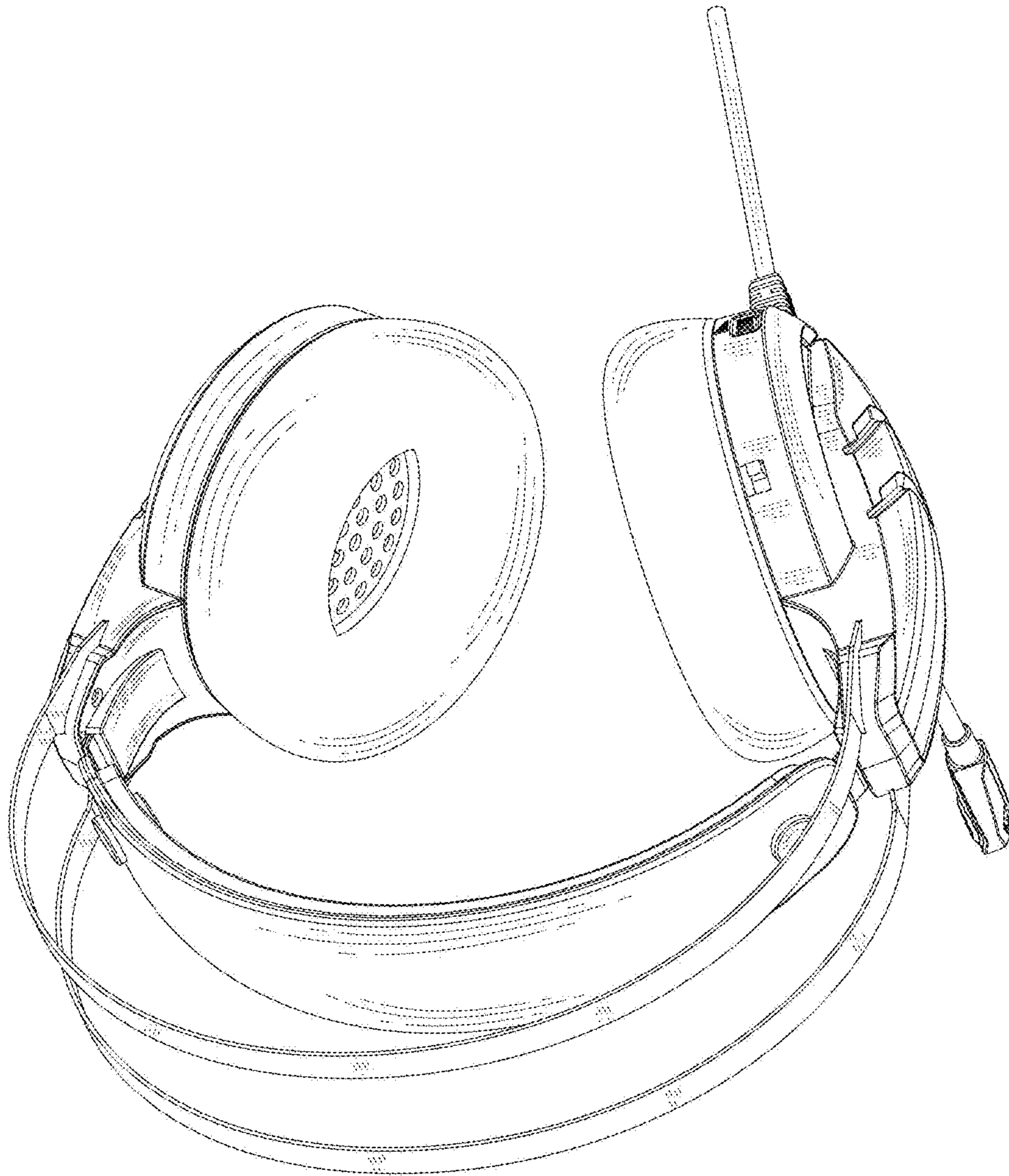


FIG.1



FIG.2



FIG.3

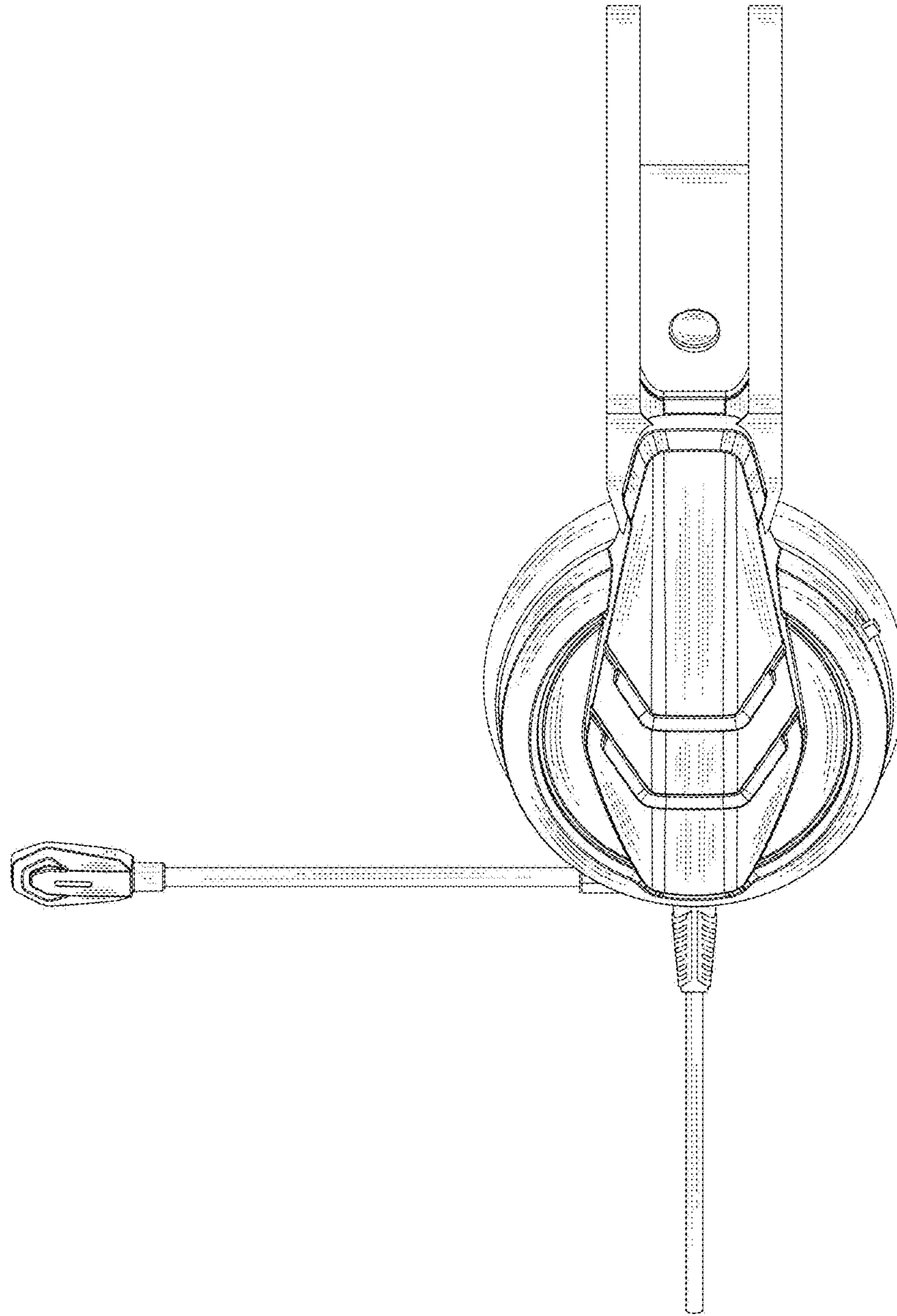


FIG.4

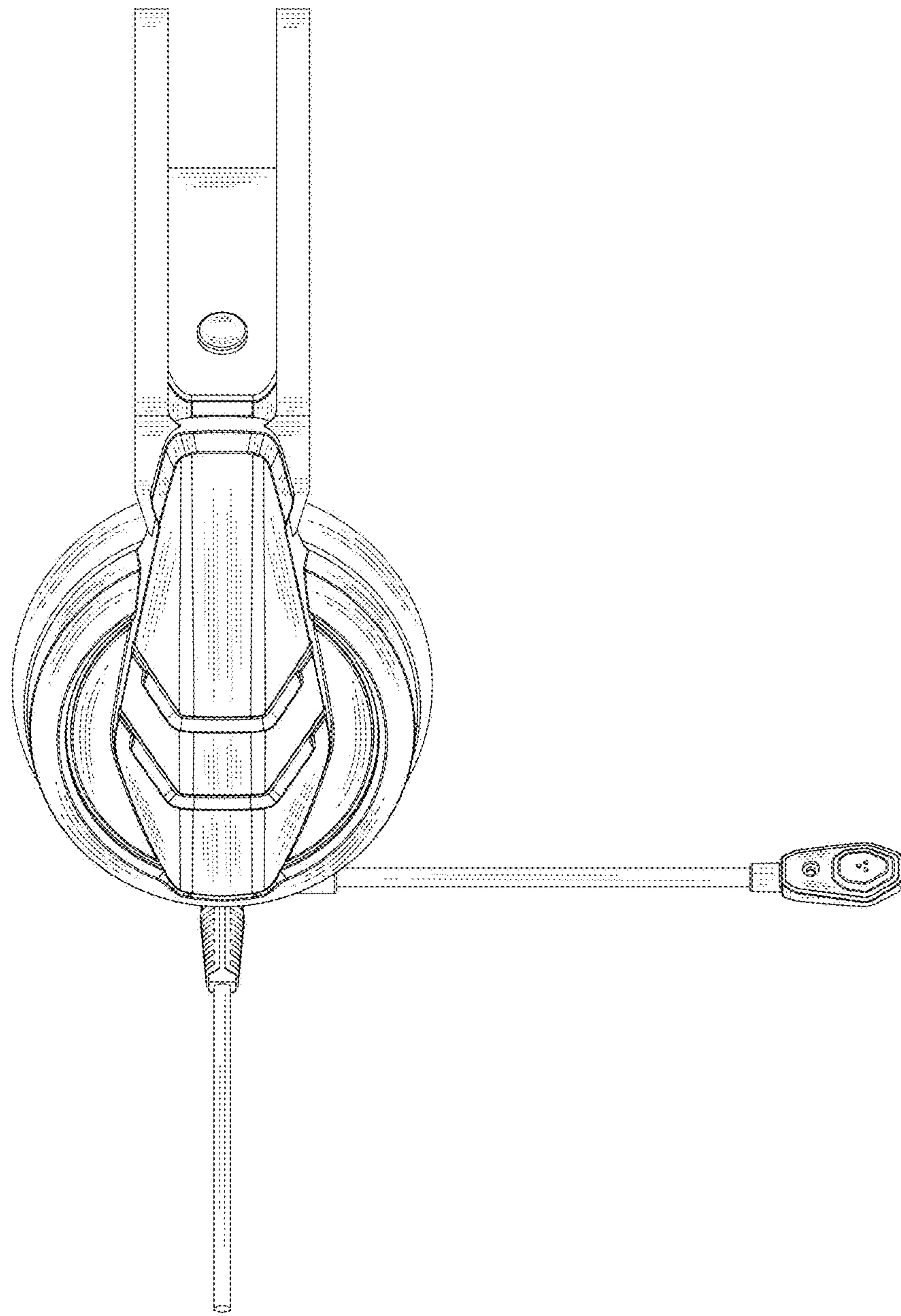


FIG.5

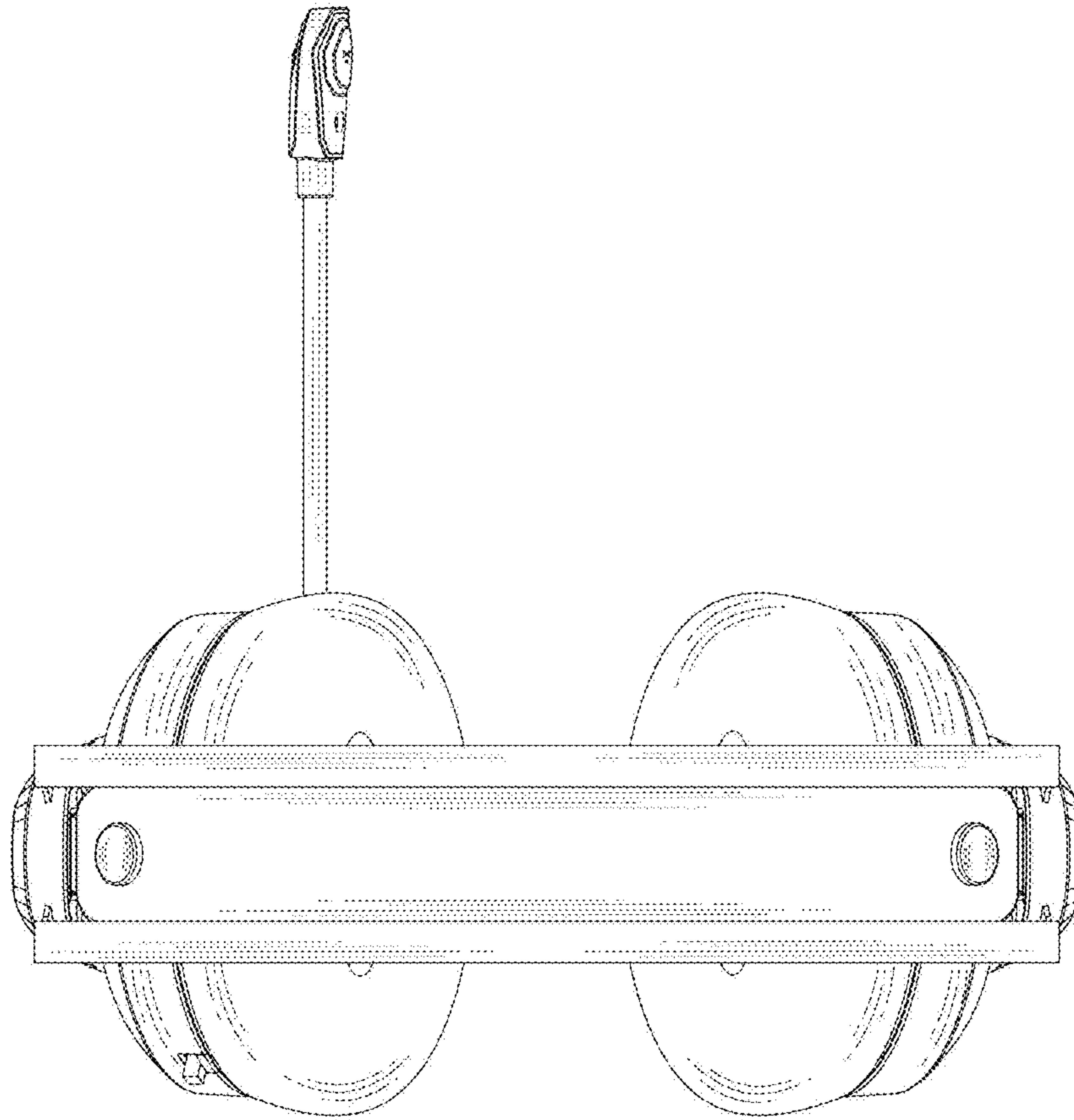


FIG.6

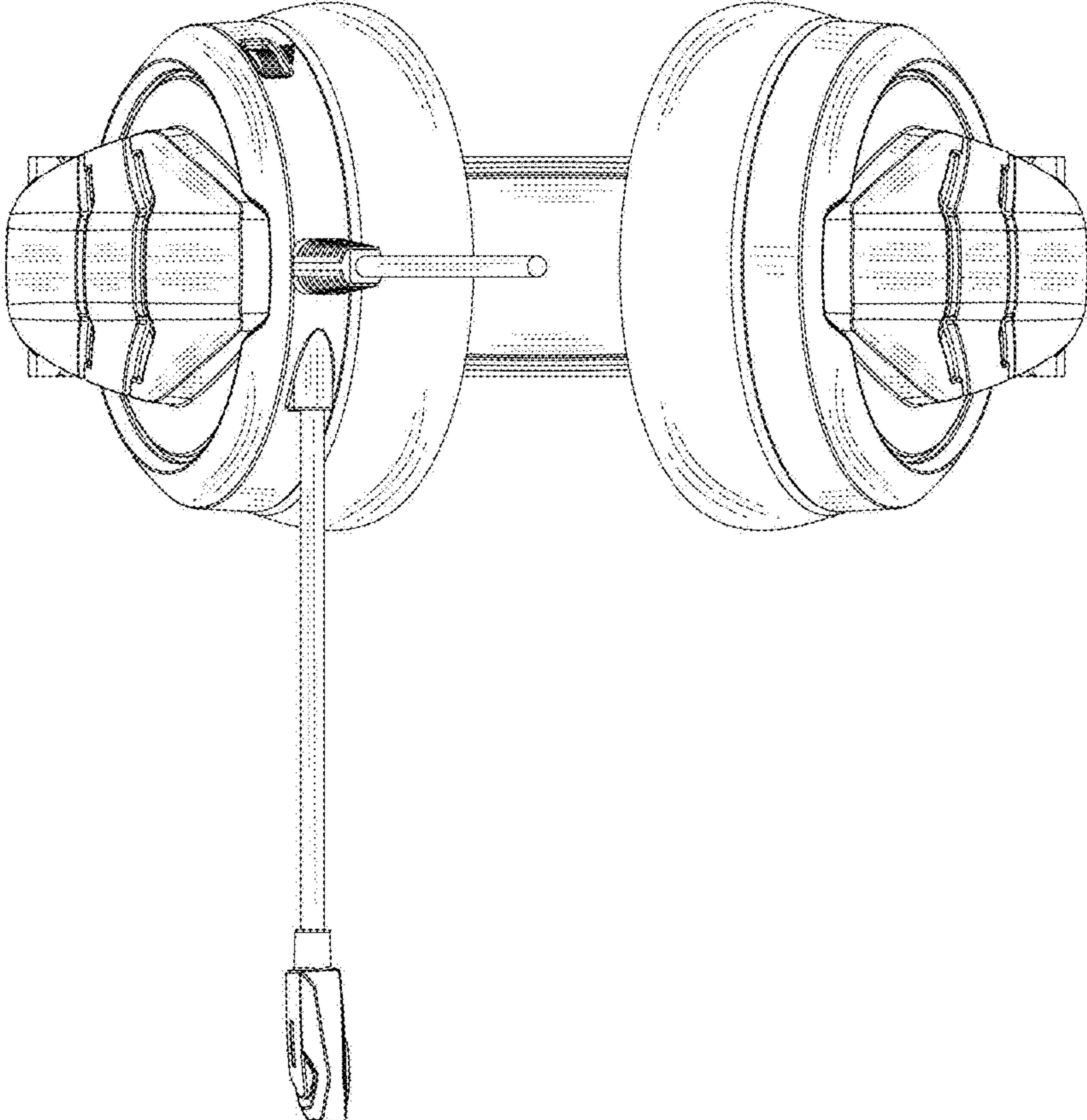


FIG. 7