



US00D975676S

(12) **United States Design Patent**  
**Guo**

(10) **Patent No.:** **US D975,676 S**  
(45) **Date of Patent:** **\*\* Jan. 17, 2023**

(54) **WIRELESS EARPHONE**  
(71) Applicant: **Baolian Guo**, Jiangxi (CN)  
(72) Inventor: **Baolian Guo**, Jiangxi (CN)  
(73) Assignee: **Baolian Guo**, Ganzhou (CN)  
(\*\*) Term: **15 Years**

5,410,608 A \* 4/1995 Lucey ..... H04R 1/105  
381/361  
6,440,339 B1 \* 8/2002 Magidson ..... B29C 39/10  
264/157  
D473,217 S \* 4/2003 Rivera ..... D14/223  
D479,319 S \* 9/2003 Falco ..... A61F 11/12  
D24/106  
6,695,093 B1 \* 2/2004 Falco ..... A61F 11/08  
181/135

(Continued)

(21) Appl. No.: **29/834,896**  
(22) Filed: **Apr. 14, 2022**

**FOREIGN PATENT DOCUMENTS**

(30) **Foreign Application Priority Data**

Mar. 8, 2022 (CN) ..... 202230114568.1

CN 307082661 \* 1/2022  
CN 307369527 \* 5/2022

(51) **LOC (14) Cl.** ..... **14-01**

*Primary Examiner* — Paula Allen Greene

(52) **U.S. Cl.**  
USPC ..... **D14/205**

(74) *Attorney, Agent, or Firm* — Dragon Sun Law Firm,  
PC; Jinggao Li; Nathaniel Perkins

(58) **Field of Classification Search**  
USPC ..... D14/205, 223, 218; D24/106;  
381/380–381  
CPC .... H04R 1/1033; H04R 25/00; H04R 1/1016;  
H04R 1/1066; H04R 5/033; H04R  
5/0335; H04R 1/105; H04R 1/1091; A61F  
11/00  
See application file for complete search history.

(57) **CLAIM**

The ornamental design for a wireless earphone, as shown and described.

(56) **References Cited**

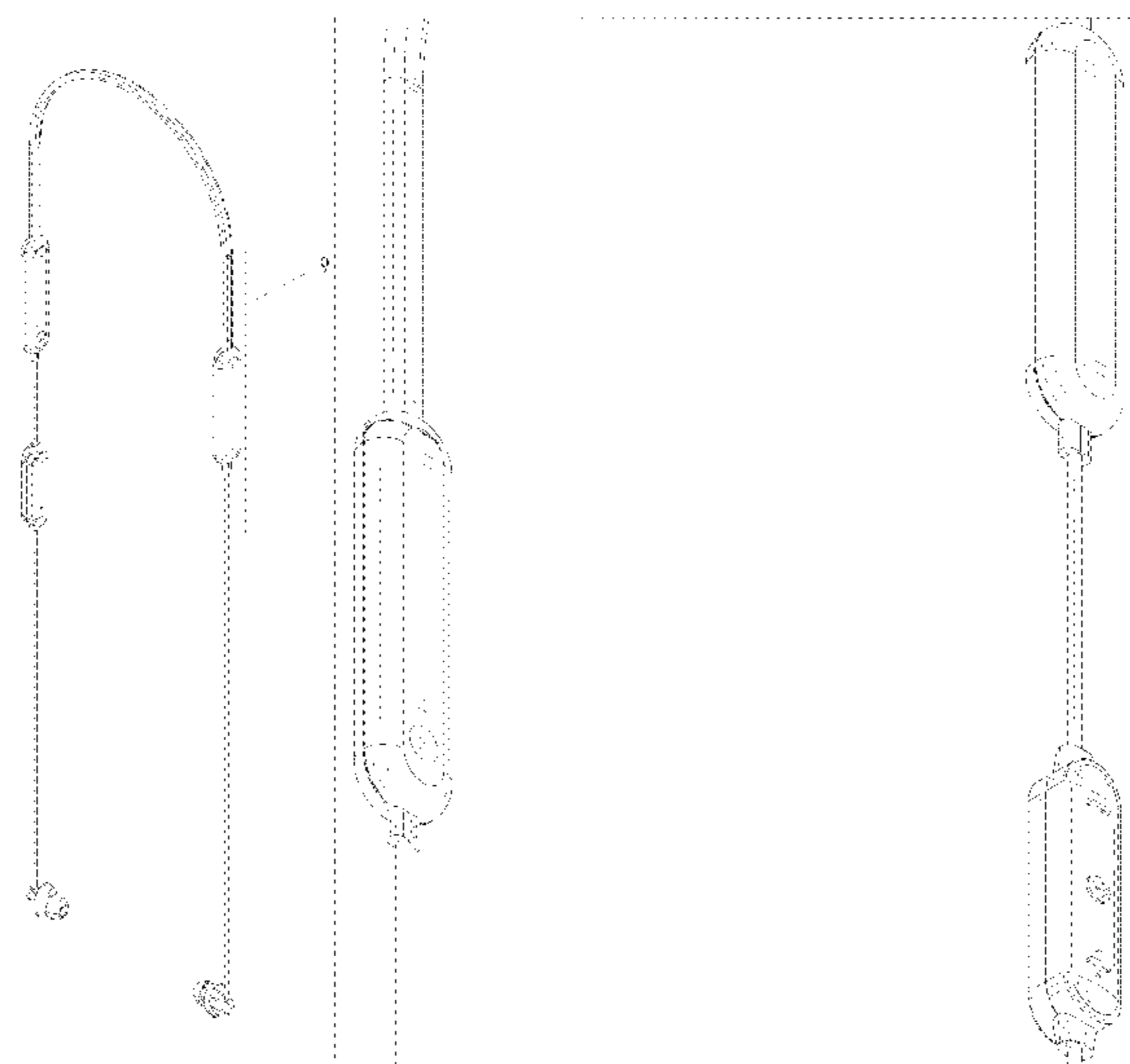
**U.S. PATENT DOCUMENTS**

2,009,330 A \* 7/1935 Tate ..... A43C 7/00  
24/715.7  
2,481,946 A \* 9/1949 Pendleton ..... G02C 3/003  
24/114.5  
4,314,553 A \* 2/1982 Westerdal ..... A61F 11/08  
181/135  
5,092,018 A \* 3/1992 Seron ..... A44B 99/00  
24/3.13  
D330,761 S \* 11/1992 Falco ..... A61F 11/085  
D24/106  
5,244,135 A \* 9/1993 Nelson ..... A45F 5/00  
224/604

**DESCRIPTION**

FIG. 1 is a front, right perspective view of a wireless earphone showing my new design;  
FIG. 2 is a rear left perspective view thereof;  
FIG. 3 is a front view thereof;  
FIG. 4 is a rear view thereof;  
FIG. 5 is a left view thereof;  
FIG. 6 is a right view thereof;  
FIG. 7 is a top view thereof;  
FIG. 8 is a bottom view thereof;  
FIG. 9 is a partially enlarged view of FIG. 1;  
FIG. 10 is a partially enlarged view of FIG. 2; and,  
FIG. 11 is a partially enlarged view of FIG. 3.  
The broken lines around the wireless earphone in FIGS. 1, 2, and 3 and illustrated in enlarged views of FIGS. 9, 10, and 11 form no part of the claimed design.

**1 Claim, 9 Drawing Sheets**



(56)

References Cited

U.S. PATENT DOCUMENTS

6,721,579 B2 *	4/2004	Liu	.....	H04M 1/6058	D855,580 S *	8/2019	Ma	.....	D14/206
				379/373.02	D855,581 S *	8/2019	Li	.....	D14/205
D492,765 S *	7/2004	Falco	.....	A61F 11/08	D856,307 S *	8/2019	Maeda	.....	D14/218
				D24/106	D865,707 S *	11/2019	Bian	.....	D14/223
D526,642 S	8/2006	Choe			D872,062 S *	1/2020	Cui	.....	D14/223
D539,782 S *	4/2007	Lee	.....	D14/188	D874,429 S *	2/2020	Aoyagi	.....	D14/205
D598,901 S *	8/2009	Lee	.....	D14/223	D875,070 S *	2/2020	Carr	.....	D14/205
8,314,354 B2 *	11/2012	Prest	.....	H01H 13/76	D890,127 S *	7/2020	Kim	.....	D14/205
				200/406	D890,128 S	7/2020	Kim et al.		
D698,750 S *	2/2014	Yoon	.....	D14/206	D909,990 S *	2/2021	Birger	.....	D14/206
8,743,533 B2 *	6/2014	Stanley	.....	H05K 5/023	D920,951 S *	6/2021	Dryden	.....	D14/205
				381/384	D921,608 S *	6/2021	Aoyagi	.....	D14/218
D758,353 S *	6/2016	Akana	.....	D14/218	D923,601 S *	6/2021	Kim	.....	D14/205
D784,962 S *	4/2017	Yang	.....	D14/223	D924,841 S *	7/2021	Yuan	.....	D14/205
D793,995 S *	8/2017	Nakagawa	.....	D14/218	D941,800 S *	1/2022	Aoyagi	.....	D14/205
D816,059 S *	4/2018	Liu	.....	D14/205	D945,406 S *	3/2022	Li	.....	D14/223
D816,636 S *	5/2018	Birger	.....	D14/205	D962,892 S *	9/2022	Guo	.....	D14/205
D817,301 S *	5/2018	Aoyagi	.....	D14/205	2006/0285715 A1 *	12/2006	Drambarean	.....	H04R 1/1016
D836,598 S *	12/2018	Chen	.....	D14/205					381/380
D839,238 S *	1/2019	Hu	.....	D14/205	2013/0077815 A1 *	3/2013	Stephenson	.....	H04R 1/1016
D840,972 S *	2/2019	Luo	.....	D14/205					381/370
					2017/0295421 A1 *	10/2017	Hung	.....	H04R 1/1033
					2018/0070165 A1 *	3/2018	Hatfield	.....	H04R 1/1058
					2019/0306609 A1 *	10/2019	Lee	.....	H04R 1/1016

\* cited by examiner

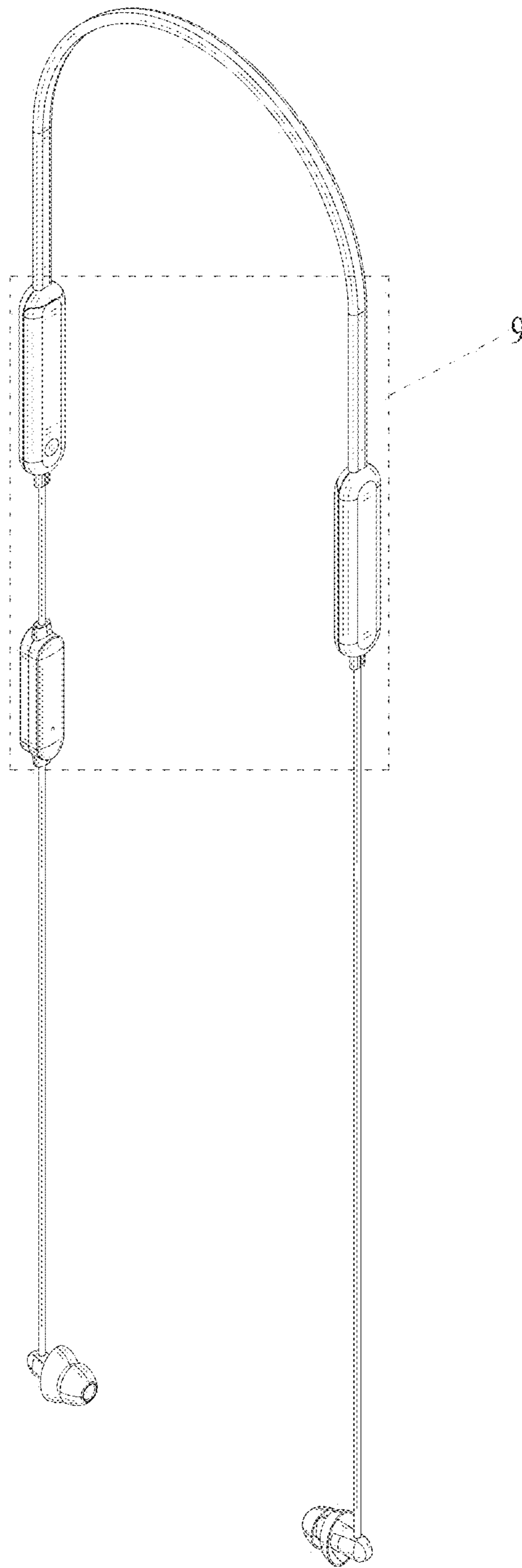


FIG. 1

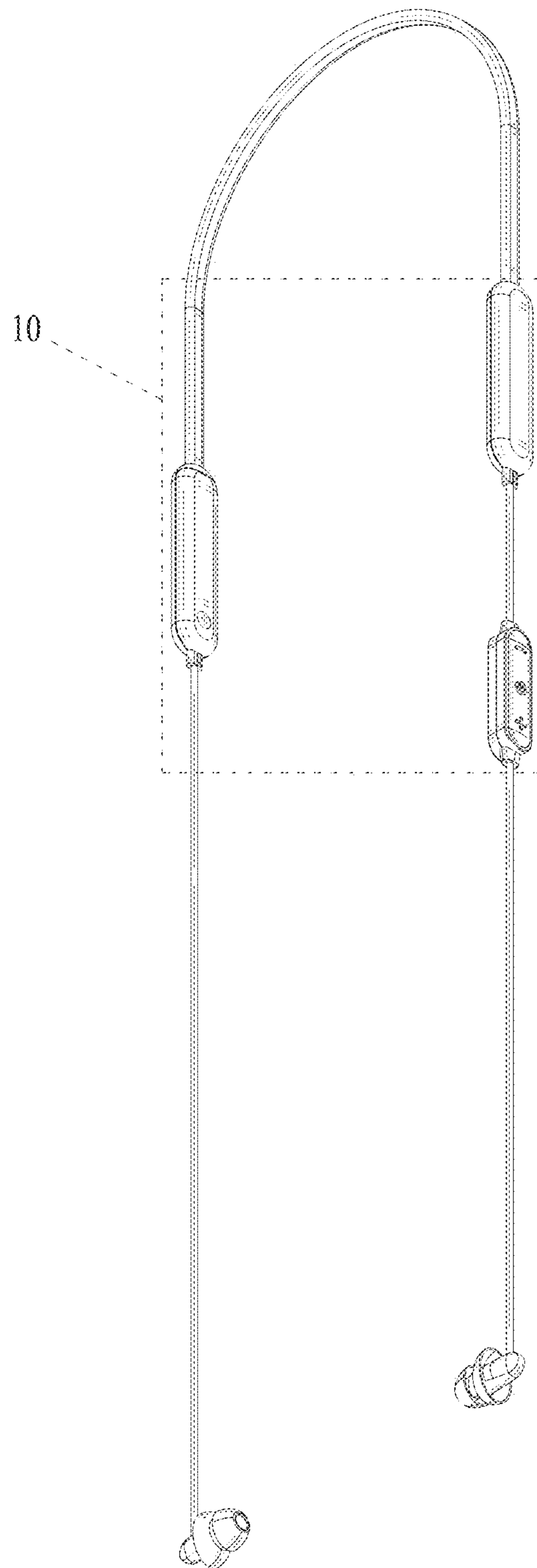


FIG. 2

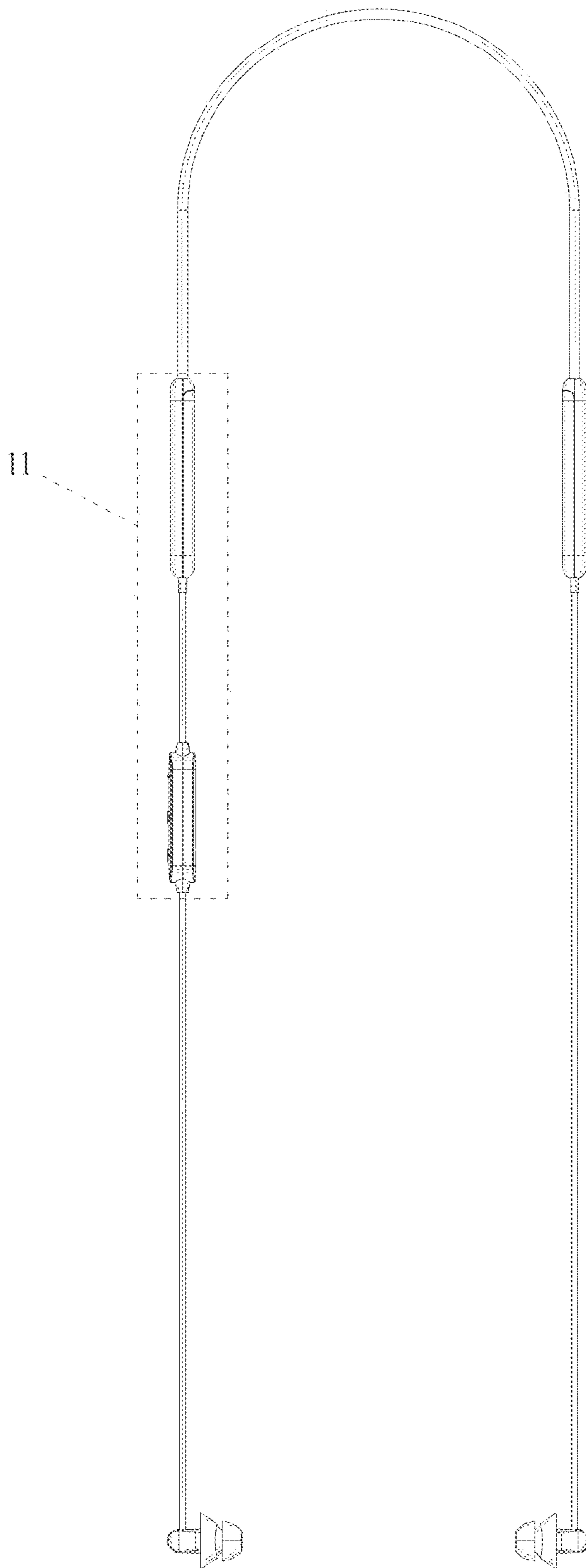


FIG. 3

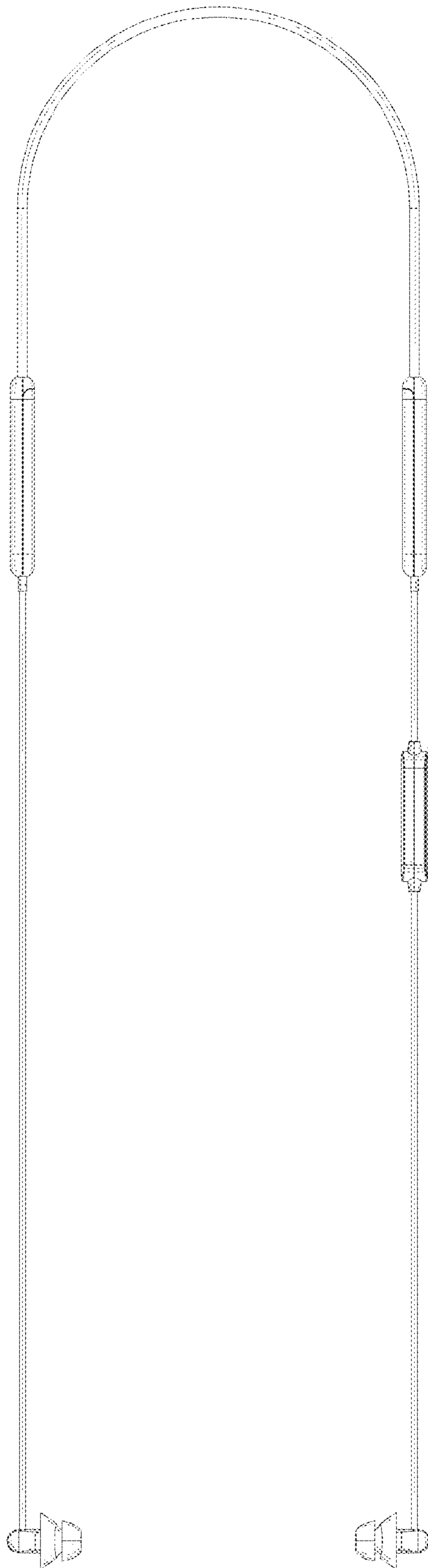


FIG. 4

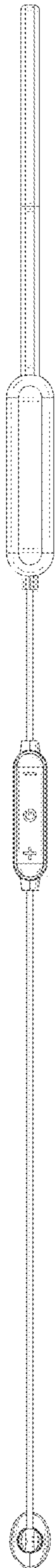


FIG. 5

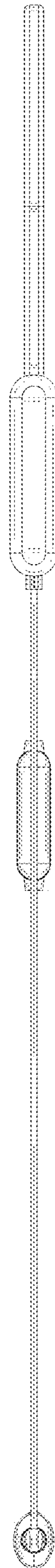


FIG. 6

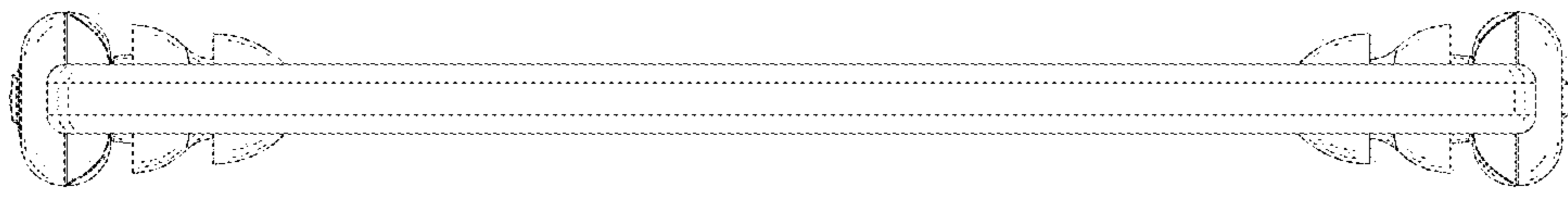


FIG. 7

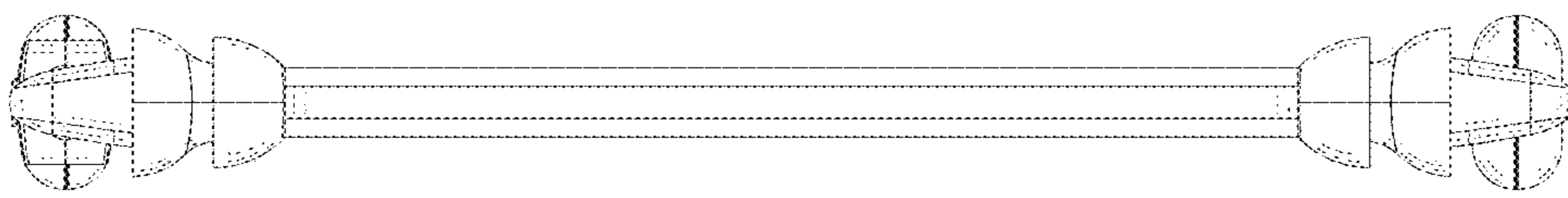


FIG. 8



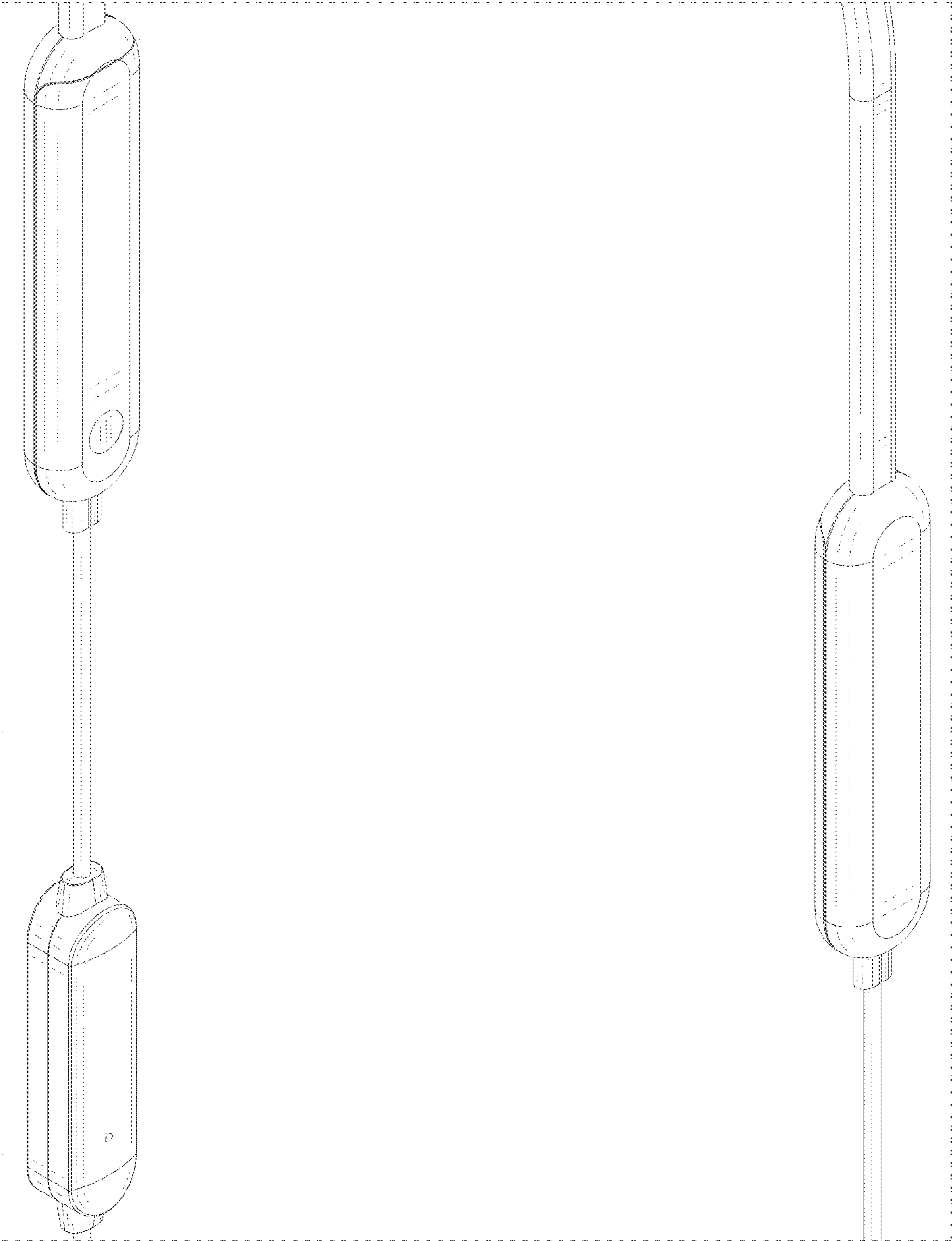


FIG. 9

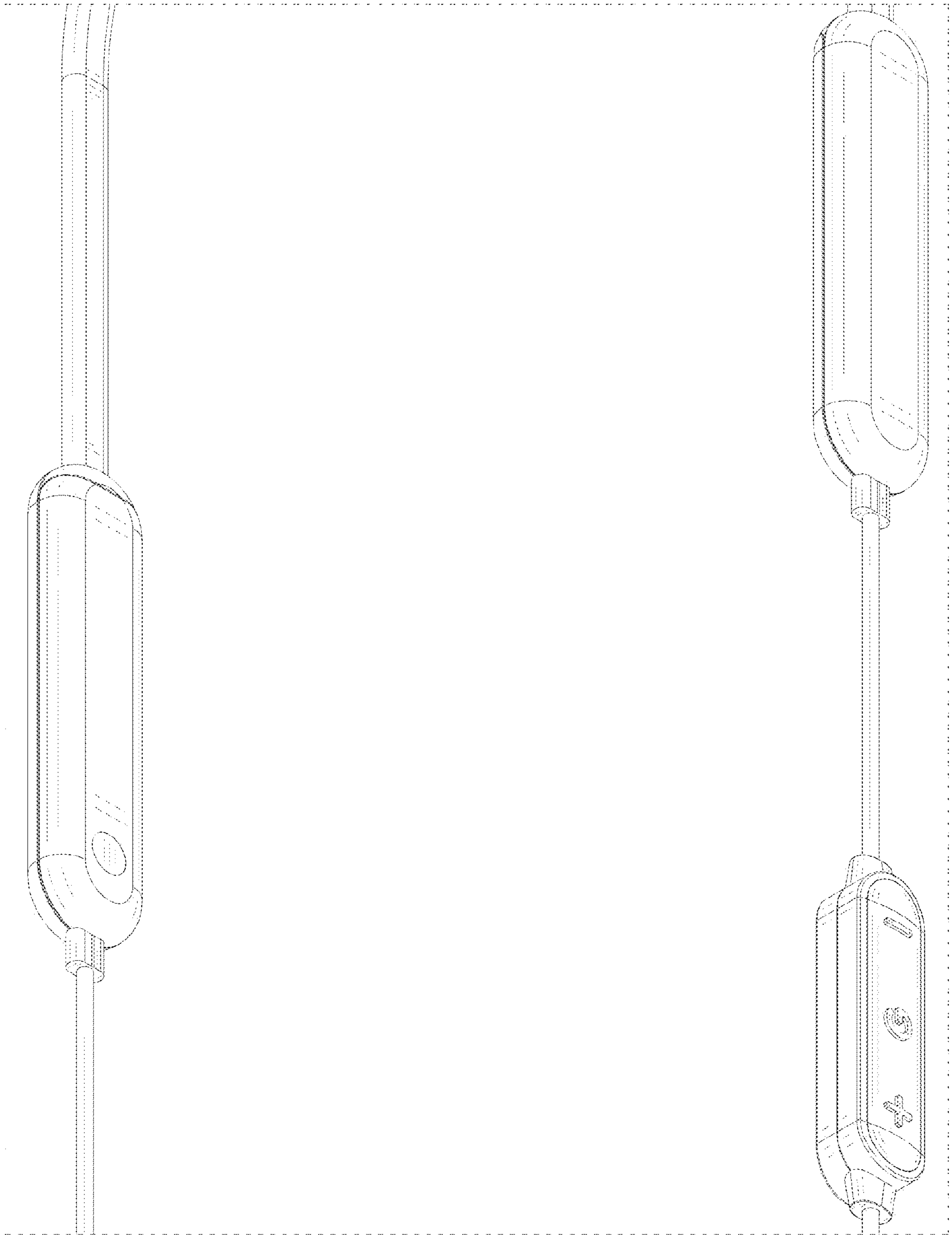


FIG. 10

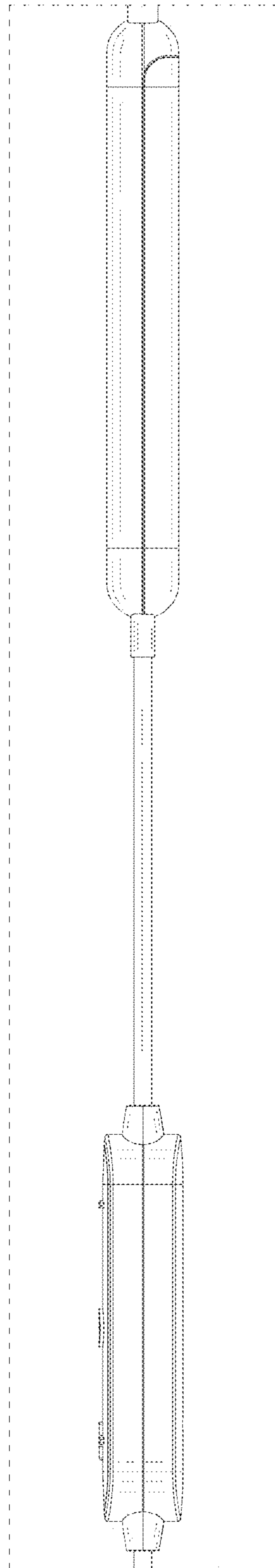


FIG. 11