



US00D975675S

(12) **United States Design Patent**
Yang

(10) **Patent No.:** **US D975,675 S**
(45) **Date of Patent:** **** Jan. 17, 2023**

- (54) **HEADPHONE**
- (71) Applicant: **Shenzhen Riyo Innovation Technology Co., Ltd.**, Shenzhen (CN)
- (72) Inventor: **Sha Yang**, Shenzhen (CN)
- (**) Term: **15 Years**
- (21) Appl. No.: **29/808,361**
- (22) Filed: **Sep. 18, 2021**
- (51) **LOC (14) Cl.** **14-01**
- (52) **U.S. Cl.**
USPC **D14/205**
- (58) **Field of Classification Search**
USPC D14/205, 206, 226; D29/112; 2/209;
381/380–381, 374, 375; 403/80;
24/3.12, 712.9
CPC H04R 25/00; H04R 25/02; H04R 1/1066;
H04R 1/1016; H04R 5/033; H04R
5/0335; H04R 1/105; H04R 1/1083;
H04R 1/1091
See application file for complete search history.

(56) **References Cited**

U.S. PATENT DOCUMENTS

- 1,263,605 A * 4/1918 Rust A44B 11/223
24/180
- D254,616 S * 4/1980 Tabata D14/205
- 4,209,264 A * 6/1980 Hellberg A61F 11/14
403/80
- D270,634 S * 9/1983 Ungar D14/205
- D274,516 S * 7/1984 Walker, Jr. D14/249
- D291,690 S * 9/1987 Tabachnik D14/205
- D299,454 S * 1/1989 Kwong D14/205
- D301,145 S * 5/1989 Besasie D14/206
- D313,092 S * 12/1990 Nilsson D29/112
- D317,767 S * 6/1991 Banks D14/206
- D407,985 S * 4/1999 Pimentel D10/104.2
- D469,411 S * 1/2003 Decosse D13/174
- D481,709 S * 11/2003 Solderits D14/223

- D484,485 S * 12/2003 Matsuoka D14/205
 - D504,414 S * 4/2005 Yoshida D14/205
 - D518,474 S * 4/2006 Suzuki D14/205
 - D519,497 S * 4/2006 Komiyama D14/223
 - D560,654 S * 1/2008 Feng D14/205
 - D582,890 S * 12/2008 Koza D14/205
 - D637,176 S * 5/2011 Brunner D14/205
 - D657,345 S * 4/2012 Brunner H04R 1/1008
D14/205
 - D658,156 S * 4/2012 Olodort D14/205
 - D661,685 S * 6/2012 Lee D14/205
 - D668,633 S * 10/2012 Enquist D14/205
 - D683,329 S * 5/2013 Hagelin D14/205
 - D688,648 S * 8/2013 Li D14/205
 - 8,646,466 B2 * 2/2014 Howard A45D 8/36
132/275
 - D700,590 S * 3/2014 Heath D14/205
- (Continued)

FOREIGN PATENT DOCUMENTS

- EM 008319404-0001 * 12/2020
- EM 008943435-0004 * 4/2022

Primary Examiner — Paula Allen Greene

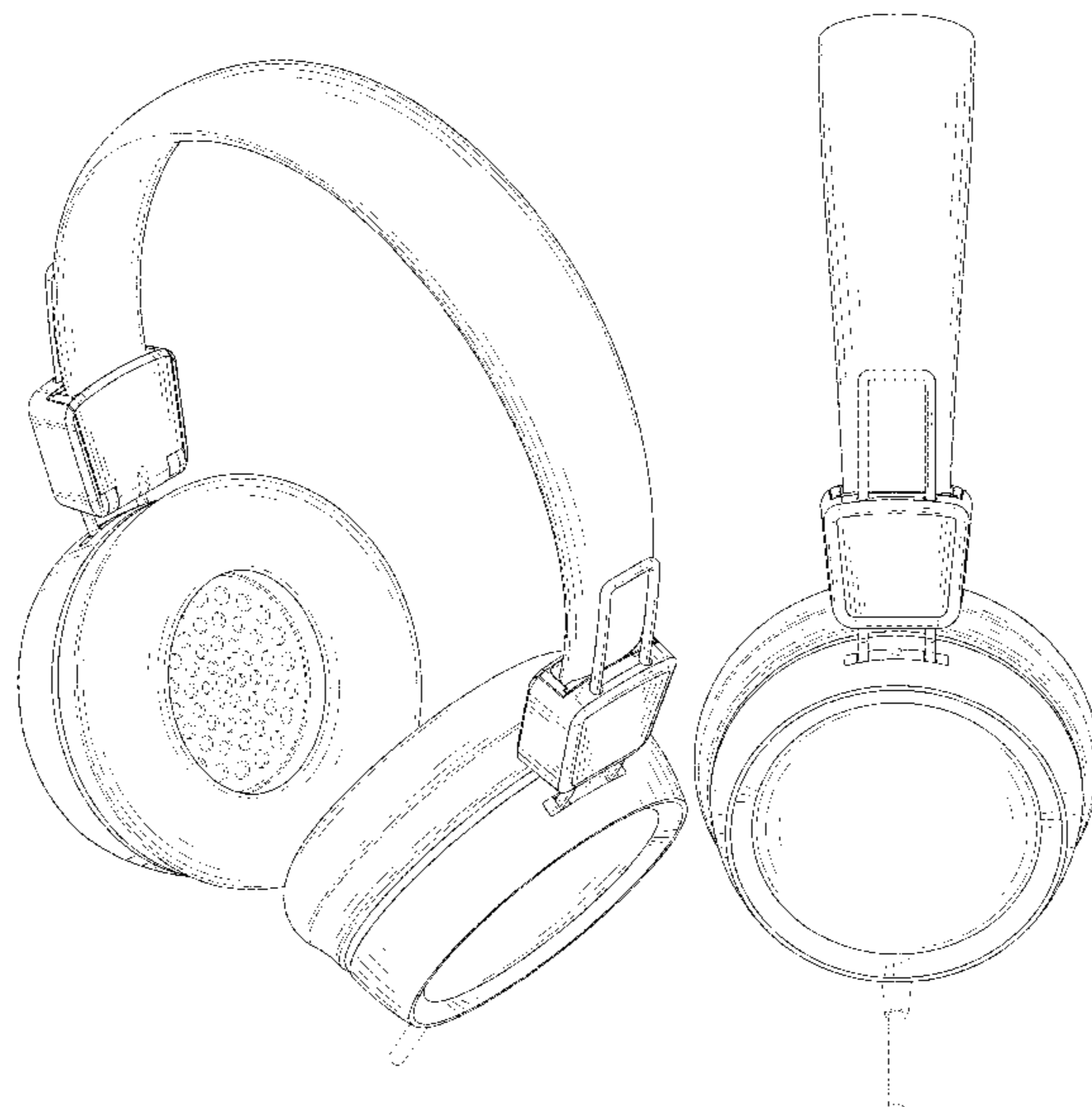
(57) **CLAIM**

The ornamental design for a headphone, as shown and described.

DESCRIPTION

FIG. 1 is a front and top perspective view of a headphone, showing my new design;
 FIG. 2 is a rear and bottom perspective view thereof;
 FIG. 3 is a front elevation view thereof;
 FIG. 4 is a rear elevation view thereof;
 FIG. 5 is a left side elevation view thereof;
 FIG. 6 is a right side elevation view thereof;
 FIG. 7 is a top plan view thereof; and,
 FIG. 8 is a bottom plan view thereof.
 The broken lines in the figures illustrate portions of the headphone that form no part of the claimed design.

1 Claim, 8 Drawing Sheets



(56)

References Cited

U.S. PATENT DOCUMENTS

D703,183	S *	4/2014	Moriya	H04R 1/1008
				D14/206
D722,590	S *	2/2015	Lu	D14/205
D733,090	S *	6/2015	Petersen	D14/205
D758,991	S *	6/2016	Petersén	D14/205
D763,226	S *	8/2016	Petersén	D14/205
D780,156	S *	2/2017	Petersen	D14/205
D790,504	S *	6/2017	Tam	D14/205
D795,218	S *	8/2017	Ohmachi	D14/205
D796,478	S *	9/2017	Minn	D14/205
D830,330	S *	10/2018	Petersen	D14/205
D837,763	S *	1/2019	Suzuki	D14/205
D842,270	S *	3/2019	Chen	D14/205
D849,712	S *	5/2019	Billaudet	D14/205
D857,652	S *	8/2019	Wang	D14/205
D864,896	S *	10/2019	Zhang	D14/205
D870,064	S *	12/2019	Petersen	D14/205
D874,430	S *	2/2020	Liu	D14/205
D886,078	S *	6/2020	He	D14/206
D896,782	S *	9/2020	Li	D14/206
D901,435	S *	11/2020	Petersen	D14/205
D920,954	S	6/2021	Tong	
D944,766	S *	3/2022	He	D14/206
D954,021	S *	6/2022	He	D14/205
2016/0198250	A1 *	7/2016	Pan	H04R 1/1041
				381/74
2022/0014837	A1 *	1/2022	Kikuchi	H04R 1/1066

* cited by examiner

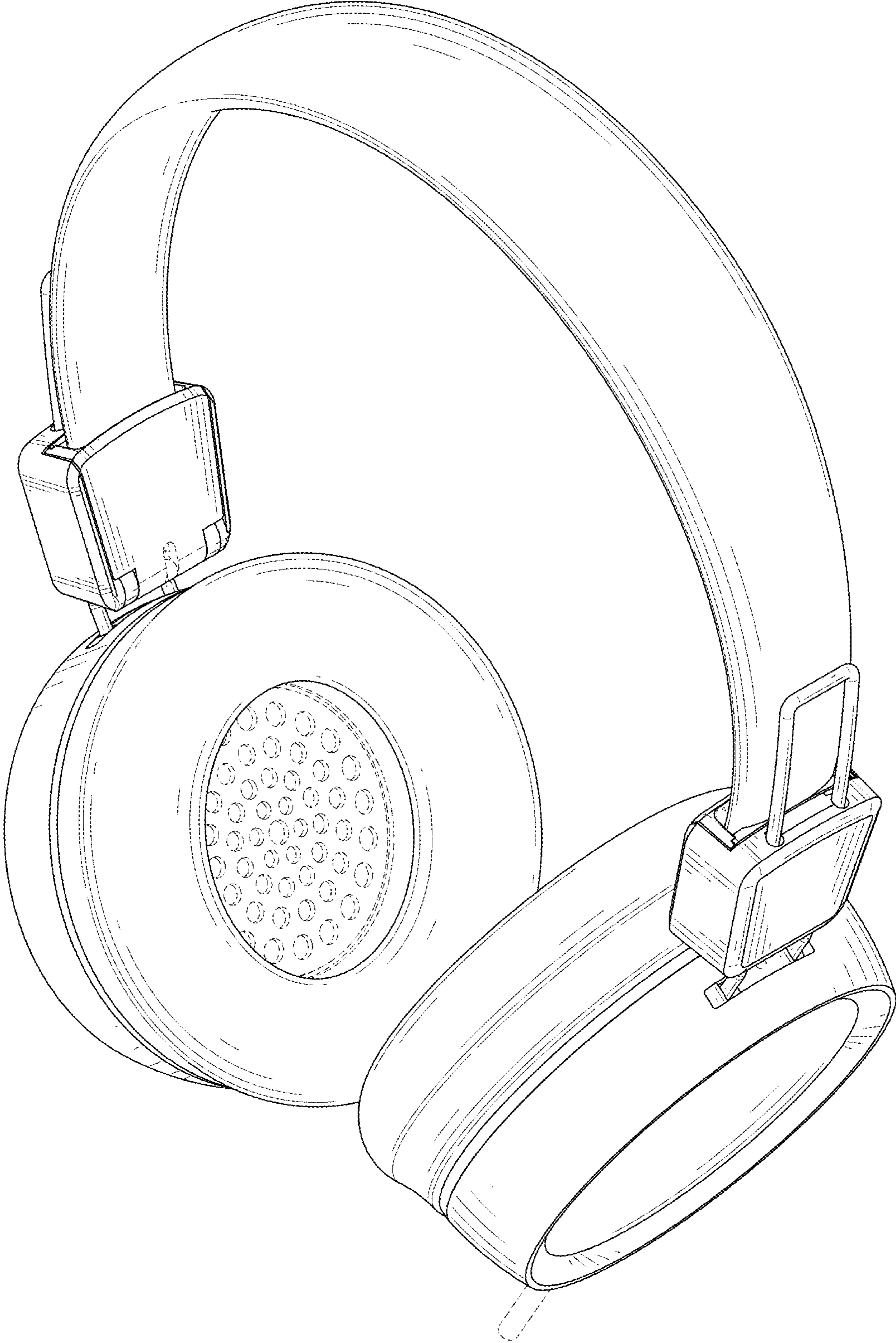


FIG. 1



FIG. 2



FIG. 3



FIG. 4

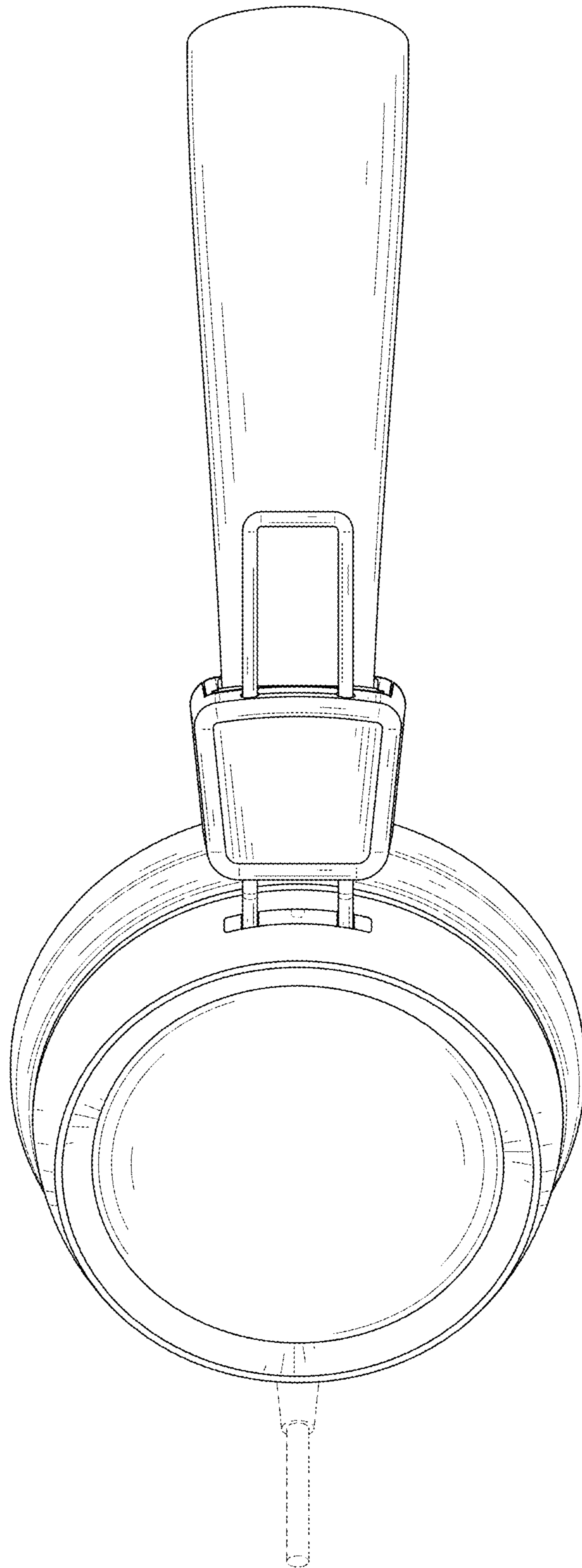


FIG. 5

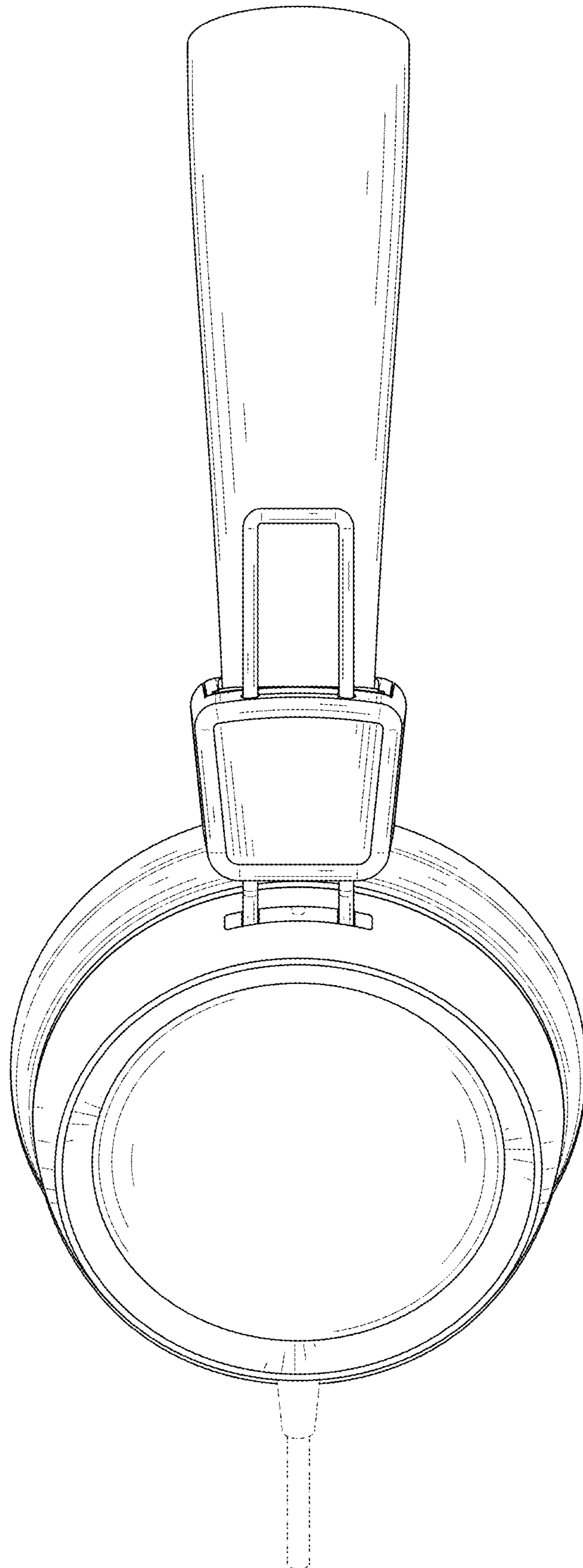


FIG. 6

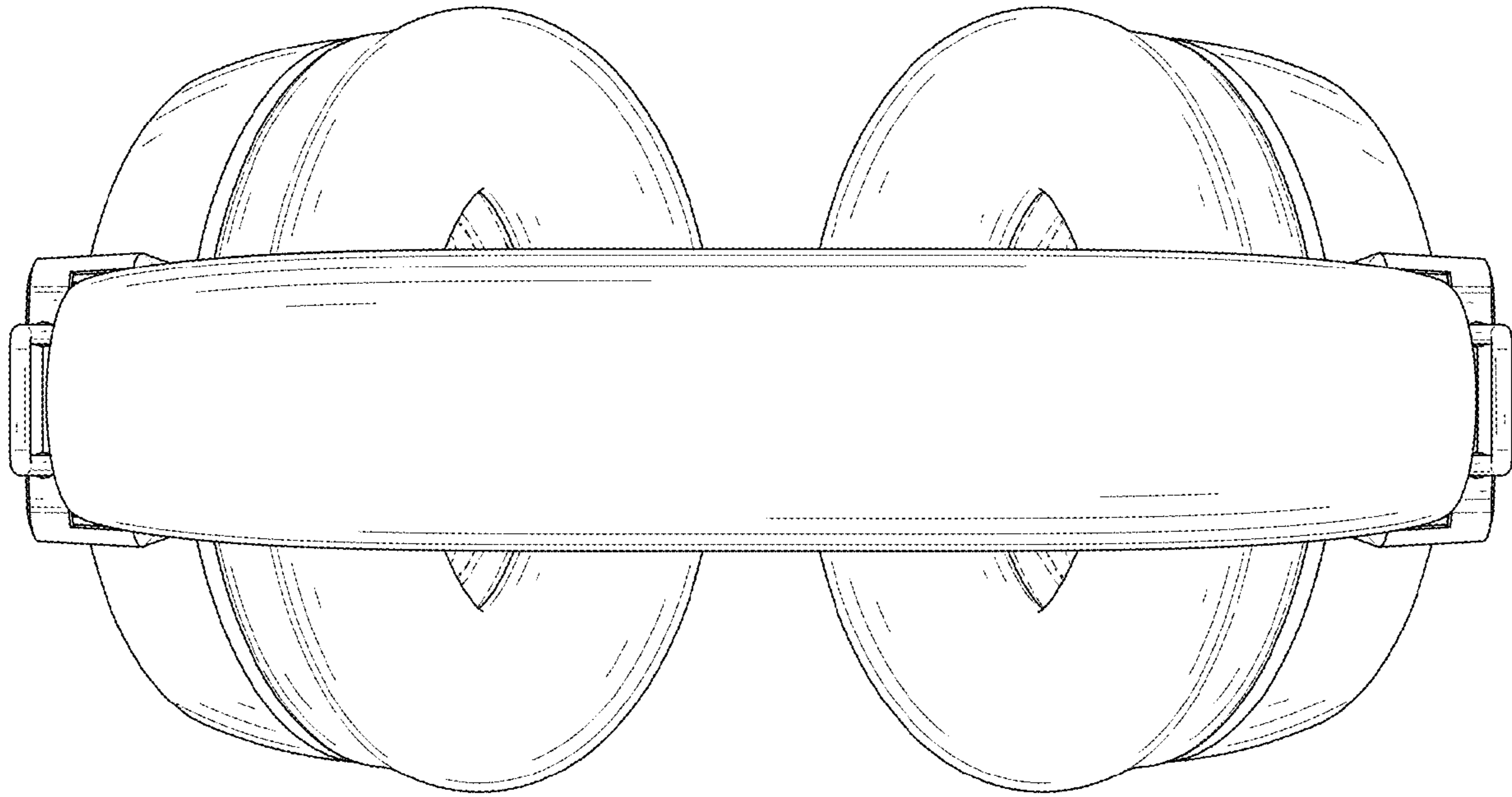


FIG. 7

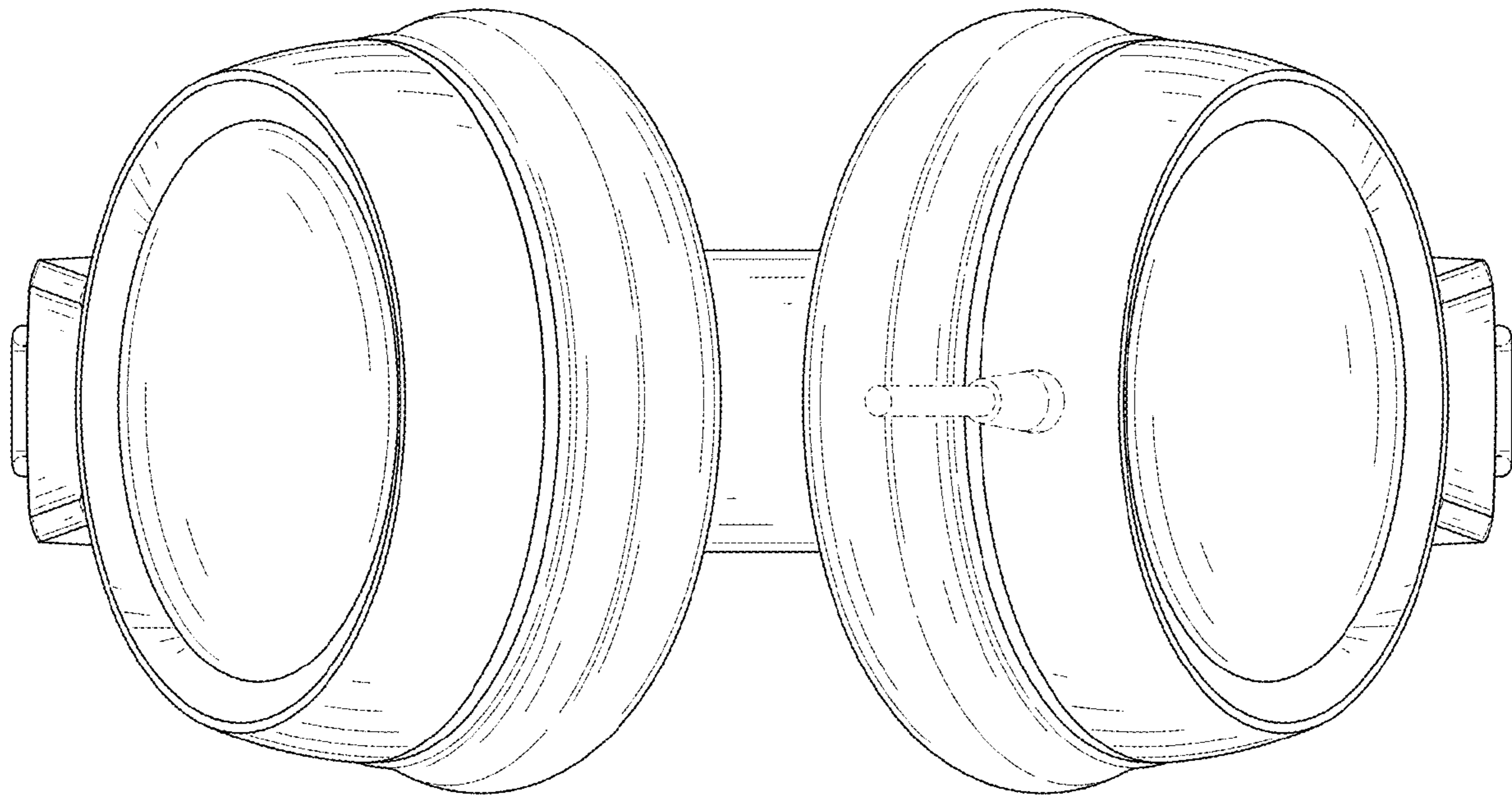


FIG. 8