



US00D975674S

(12) **United States Design Patent**
Li

(10) **Patent No.:** **US D975,674 S**
(45) **Date of Patent:** **** Jan. 17, 2023**

(54) **DINOSAUR KID HEADPHONE**

(71) Applicant: **Dongguan Qizhou Electronics Co., Ltd.**, Dongguan (CN)

(72) Inventor: **QiaoLing Li**, Dongguan (CN)

(**) Term: **15 Years**

(21) Appl. No.: **29/769,745**

(22) Filed: **Feb. 8, 2021**

(51) **LOC (14) Cl.** **14-01**

(52) **U.S. Cl.**
USPC **D14/205**; D14/207

(58) **Field of Classification Search**
USPC D14/205, 207; D28/41; 132/275;
D21/615; D2/871, 865, 869, 891, 895;
D29/112; 2/200.3, 200.1, 209.13, 171,
2/172, 173; D11/16, 17, 90; 381/380,
381/381, 374, 375; 362/104, 105
CPC H04R 25/00; H04R 25/02; H04R 1/1066;
H04R 1/1016; H04R 5/033; H04R
5/0335; F21V 33/00; A61F 11/14; A45D
8/12
See application file for complete search history.

D440,742 S * 4/2001 Mitchell D2/869
6,357,052 B1 * 3/2002 Fleming A42B 1/004
2/244
6,382,218 B1 * 5/2002 Cheng A42B 1/16
63/3
D537,984 S * 3/2007 Steudle D28/41
7,473,004 B1 * 1/2009 Tsai A44C 15/006
362/104
D611,200 S * 3/2010 Packard D29/122
(Continued)

FOREIGN PATENT DOCUMENTS

GB 3006872 * 9/2002
GB 6201788 * 4/2022

Primary Examiner — Paula Allen Greene
(74) *Attorney, Agent, or Firm* — Rumit Ranjit Kanakia

(57) **CLAIM**

The ornamental design for a dinosaur kid headphone, as shown and described.

DESCRIPTION

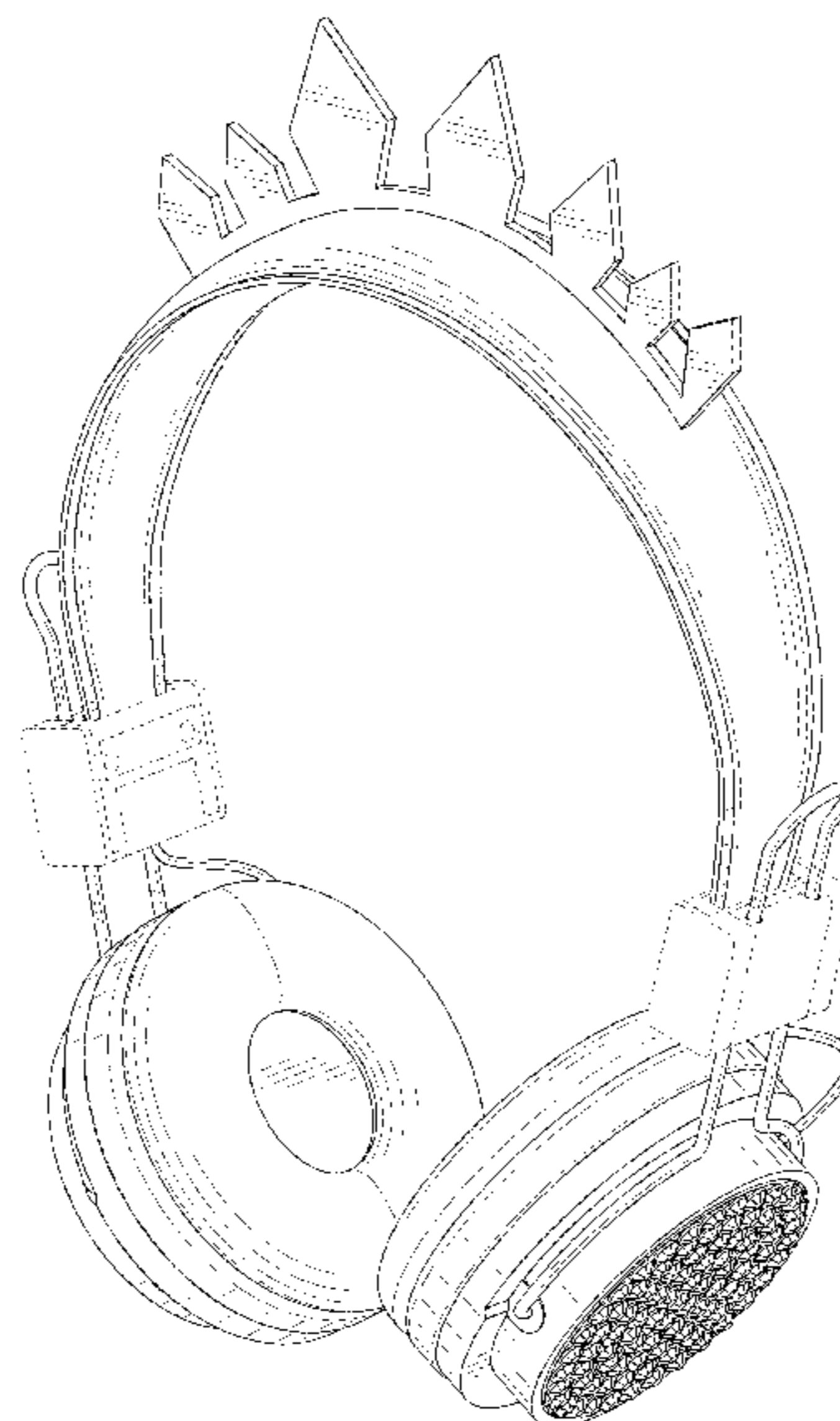
FIG. 1 is a first perspective view of a dinosaur kid headphone showing my new design;
FIG. 2 is a second perspective view thereof;
FIG. 3 is a front view thereof;
FIG. 4 is a back view thereof;
FIG. 5 is a left side view thereof;
FIG. 6 is a right side view thereof;
FIG. 7 is a top view thereof;
FIG. 8 is a bottom view thereof; and,
FIG. 9 is an enlarged view of the selected portion in FIG. 2. The broken lines shown in the drawings depict portions of the dinosaur kid headphone in which the design is embodied that form no part of the claimed design. The dot-dash broken lines encircling portions of the dinosaur kid headphone in FIG. 2 and illustrated in the enlarged view of FIG. 9 form no part of the claimed design.

1 Claim, 9 Drawing Sheets

(56) **References Cited**

U.S. PATENT DOCUMENTS

2,728,084 A * 12/1955 Long A42B 1/16
2/195.7
2,866,204 A * 12/1958 Mayer A42B 1/16
2/200.1
3,031,681 A * 5/1962 Hoefflich A42B 1/16
D2/869
4,800,738 A * 1/1989 Bunz A44C 17/005
63/26
5,115,649 A * 5/1992 Amber A44C 17/005
63/26
D349,345 S * 8/1994 Abrams D21/615
D360,927 S * 8/1995 VanDeusen D21/615
D435,477 S * 12/2000 Kavalek D11/90



(56)

References Cited

U.S. PATENT DOCUMENTS

D636,560	S *	4/2011	Kelly	D2/874
D668,633	S *	10/2012	Enquist	D14/205
D671,263	S *	11/2012	Weigl, Jr.	D28/41
D700,590	S *	3/2014	Heath	D14/205
D722,590	S *	2/2015	Lu	D14/205
D733,090	S *	6/2015	Petersen	D14/205
D758,991	S *	6/2016	Petersén	D14/205
D763,226	S *	8/2016	Petersén	D14/205
D780,156	S *	2/2017	Petersen	D14/205
D790,504	S *	6/2017	Tam	D14/205
D795,218	S *	8/2017	Ohmachi	D14/205
D796,478	S *	9/2017	Minn	D14/205
D830,330	S *	10/2018	Petersen	D14/205
D837,763	S *	1/2019	Suzuki	D14/205
D842,270	S *	3/2019	Chen	D14/205
D849,712	S *	5/2019	Billaudet	D14/205
D857,652	S *	8/2019	Wang	D14/205
D864,896	S *	10/2019	Zhang	D14/205
D870,064	S *	12/2019	Petersen	D14/205
D874,430	S *	2/2020	Liu	D14/205
D886,078	S *	6/2020	He	D14/206
D896,782	S *	9/2020	Li	D14/206
D897,638	S *	10/2020	Hsu	D2/871
D951,906	S *	5/2022	Li	D14/207
D954,021	S *	6/2022	He	D14/205
2002/0170568	A1 *	11/2002	Tsai	A45D 8/36 132/275
2014/0268682	A1 *	9/2014	Brady	F21V 33/004 362/105

* cited by examiner

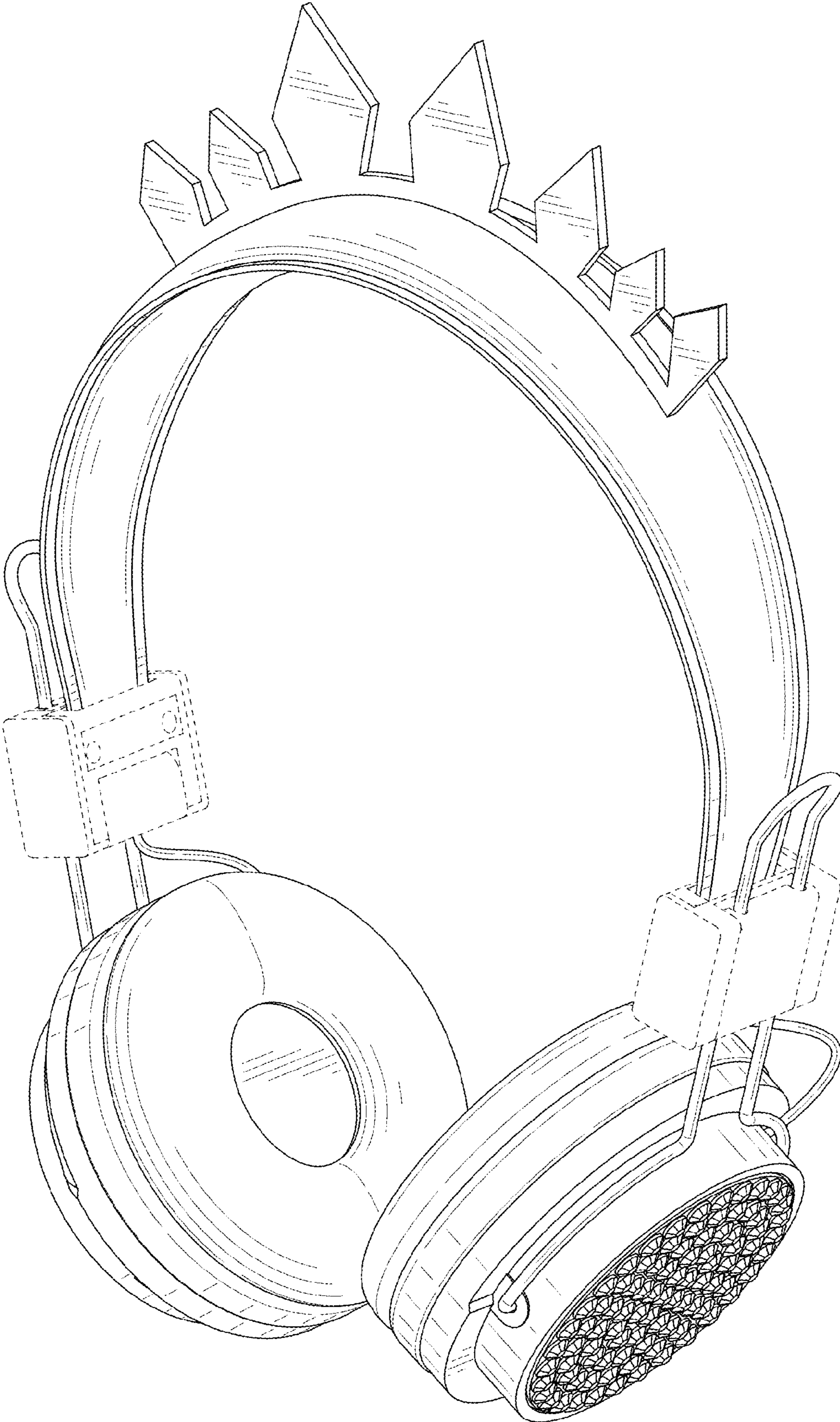


FIG. 1



FIG. 2



FIG. 3



FIG. 4

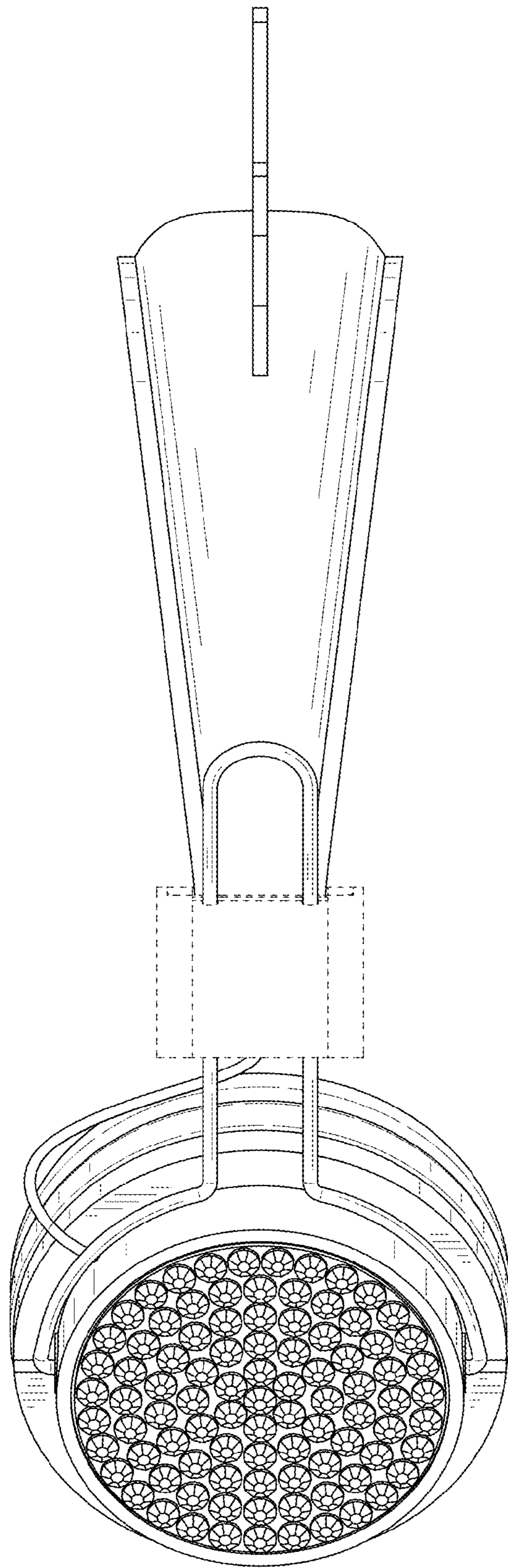


FIG. 5

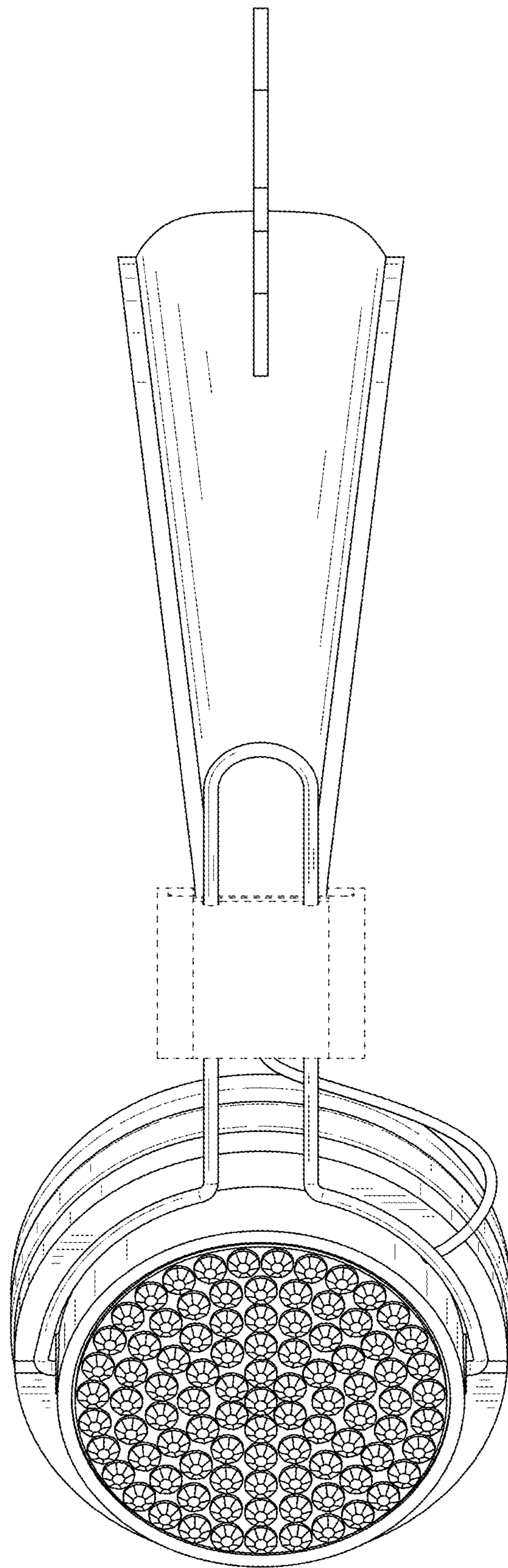


FIG. 6

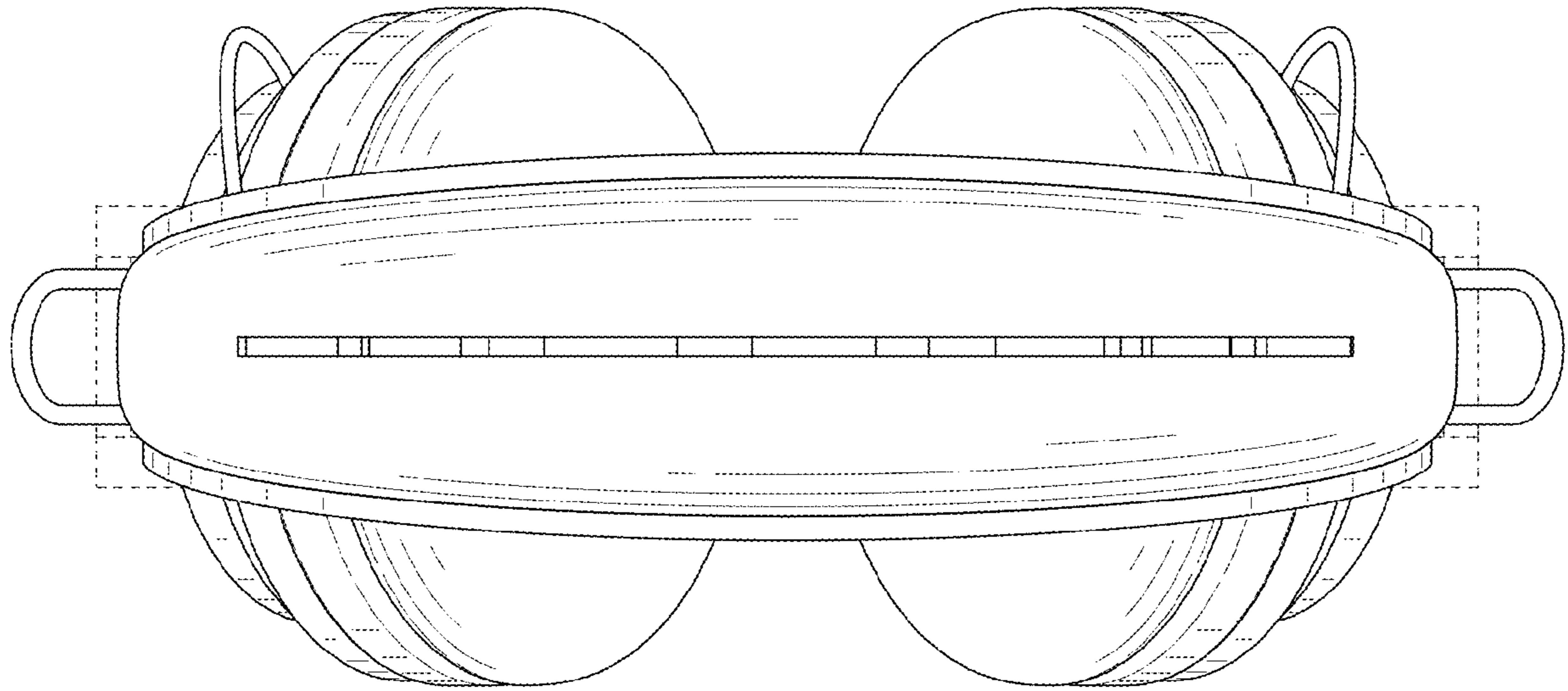


FIG. 7

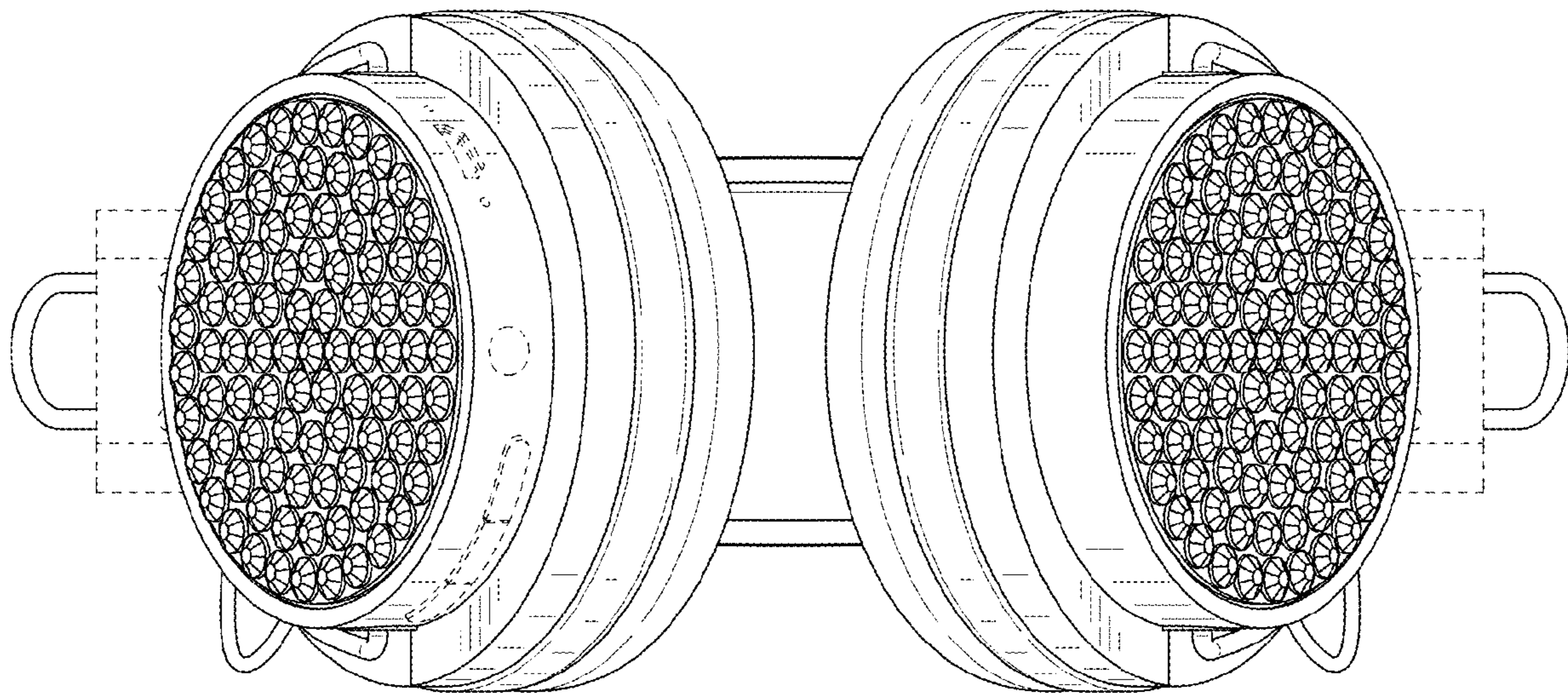


FIG. 8

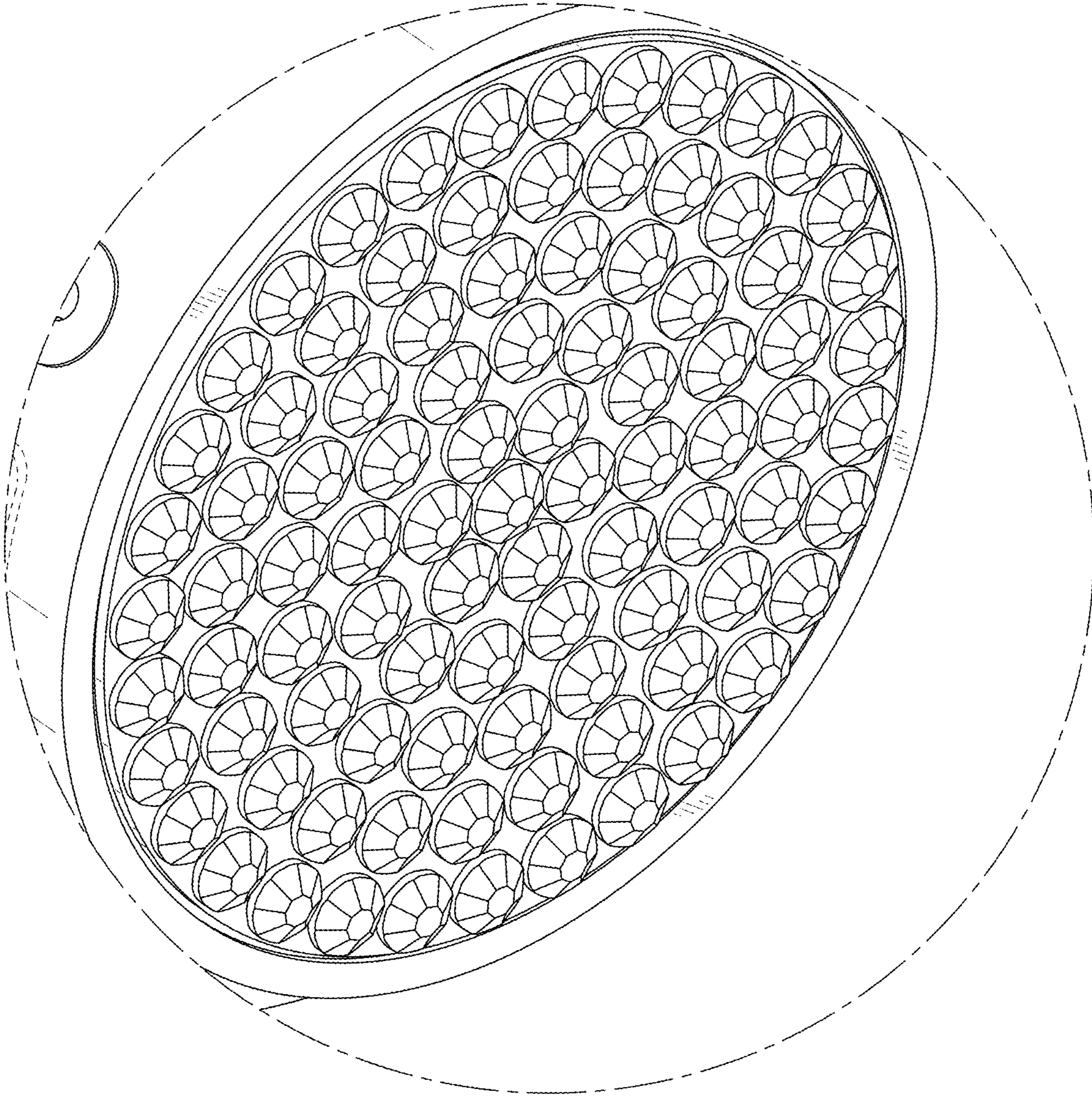


FIG. 9