



US00D975673S

(12) **United States Design Patent**
Huang

(10) **Patent No.:** **US D975,673 S**
(45) **Date of Patent:** **** Jan. 17, 2023**

- (54) **KID HEADPHONE**
- (71) Applicant: **SHENZHEN LINX TECHNOLOGY CO., LTD**, Shenzhen (CN)
- (72) Inventor: **Yue Huang**, Shenzhen (CN)
- (73) Assignee: **SHENZHEN LINX TECHNOLOGY CO., LTD**, Shenzhen (CN)
- (**) Term: **15 Years**
- (21) Appl. No.: **29/749,736**
- (22) Filed: **Sep. 9, 2020**

D534,155 S *	12/2006	Obata	D14/205
D576,604 S *	9/2008	Suzuki	D14/205
D625,703 S *	10/2010	Kolton	D14/205
D634,732 S *	3/2011	Kondo	D14/205
D635,957 S *	4/2011	Hirano	D14/205
D643,065 S *	8/2011	van der Lande	D19/142
D657,006 S *	4/2012	Wallick	D21/659
D662,080 S *	6/2012	Carr	D14/205
D665,775 S *	8/2012	Katsumata	D14/205
D683,329 S *	5/2013	Hagelin	D14/205
D685,283 S *	7/2013	Katoh	D11/1
D699,702 S *	2/2014	Chen	D14/205
D717,764 S *	11/2014	Lee	D14/205
D719,136 S *	12/2014	Schaal	D14/206
D757,679 S *	5/2016	Yan	D14/205

(Continued)

(30) **Foreign Application Priority Data**

Aug. 7, 2020 (CN) 202030447346.2

- (51) **LOC (14) Cl.** **14-01**
- (52) **U.S. Cl.**
USPC **D14/205; D14/207**
- (58) **Field of Classification Search**
USPC D14/205, 207; D29/112; 2/209;
D21/617; 446/189; 362/104, 105;
381/380, 381, 374, 375
CPC F21V 33/00; H04R 25/00; H04R 25/02;
H04R 1/1066; H04R 1/1016; H04R
5/033; H04R 5/0335; A61F 11/14
See application file for complete search history.

(56) **References Cited**

U.S. PATENT DOCUMENTS

D155,702 S *	10/1949	Ganine	D21/617
D166,603 S *	4/1952	Hartman	D7/302
D180,052 S *	4/1957	Young	D2/869
D328,074 S *	7/1992	Yamazaki	D14/205
D386,181 S *	11/1997	Fisher	D14/195
D416,366 S *	11/1999	Dunbar	D34/1
D482,393 S *	11/2003	Hui	D19/116
D512,708 S *	12/2005	Harris, Jr.	D14/205

FOREIGN PATENT DOCUMENTS

CN	306402067	*	3/2021
EM	007685730-0001	*	2/2020

(Continued)

Primary Examiner — Paula Allen Greene

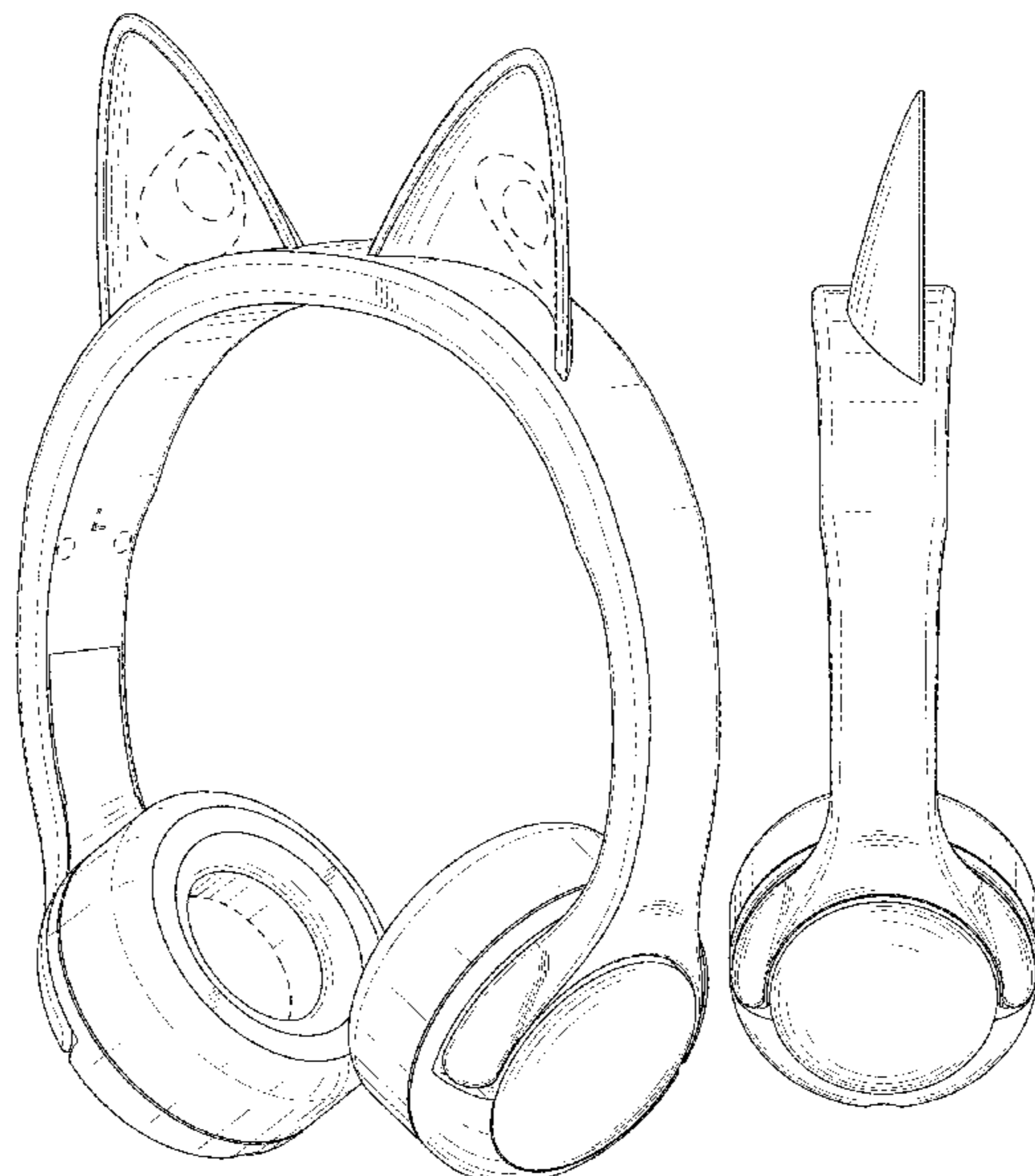
(57) **CLAIM**

The ornamental design for a kid headphone, as shown and described.

DESCRIPTION

FIG. 1 is a perspective view of a kid headphone showing my new design;
 FIG. 2 is another perspective view thereof;
 FIG. 3 is a front view thereof;
 FIG. 4 is a rear view thereof;
 FIG. 5 is a left side view thereof;
 FIG. 6 is a right side view thereof;
 FIG. 7 is a top plan view thereof; and,
 FIG. 8 is a bottom plan view thereof.
 The broken lines in the figures illustrate portions of the kid headphone that form no part of the claimed design.

1 Claim, 7 Drawing Sheets



(56)

References Cited

U.S. PATENT DOCUMENTS

D758,508 S * 6/2016 Chuang D21/617
 D795,837 S * 8/2017 Cai D14/205
 D801,948 S * 11/2017 Picunko D14/205
 D813,195 S * 3/2018 Huang D14/207
 10,021,487 B2 * 7/2018 Yan H04R 5/0335
 D851,624 S * 6/2019 Huang D14/205
 D858,483 S * 9/2019 Hu D14/205
 D863,253 S * 10/2019 He D14/205
 D868,026 S * 11/2019 Hardi D14/205
 D869,433 S * 12/2019 Huan D14/207
 D869,437 S * 12/2019 Hu D14/205
 D879,742 S * 3/2020 Hu D14/205
 D884,669 S * 5/2020 Zhong D14/205
 D887,391 S * 6/2020 Chong D14/205
 D888,008 S * 6/2020 Yook D14/205
 D889,431 S * 7/2020 Huang D14/207
 D890,124 S * 7/2020 ShiXing D14/207
 D892,080 S * 8/2020 Krakovski D14/205
 D901,436 S * 11/2020 Peng D14/205
 D902,176 S * 11/2020 Huang D14/207
 D909,989 S * 2/2021 Lu D14/207

D914,635 S * 3/2021 Tong D14/205
 D920,954 S * 6/2021 Tong D14/207
 D921,606 S * 6/2021 Wang D14/207
 D926,154 S * 7/2021 Tong D14/206
 D928,115 S * 8/2021 Huang D14/207
 D936,631 S * 11/2021 Qin D14/205
 D940,098 S * 1/2022 Liu D14/207
 D944,763 S * 3/2022 He D14/207
 D944,764 S * 3/2022 He D14/207
 D944,768 S * 3/2022 He D14/206
 2009/0032051 A1 * 2/2009 Defenbaugh A45D 8/20
 132/273
 2010/0177907 A1 * 7/2010 Morisawa H04R 5/0335
 381/74
 2016/0088383 A1 * 3/2016 Yan H04R 5/0335
 381/378

FOREIGN PATENT DOCUMENTS

EM 008169840-0001 * 9/2020
 EM 008276281-0001 * 11/2020
 GB 6103038 * 10/2020

* cited by examiner

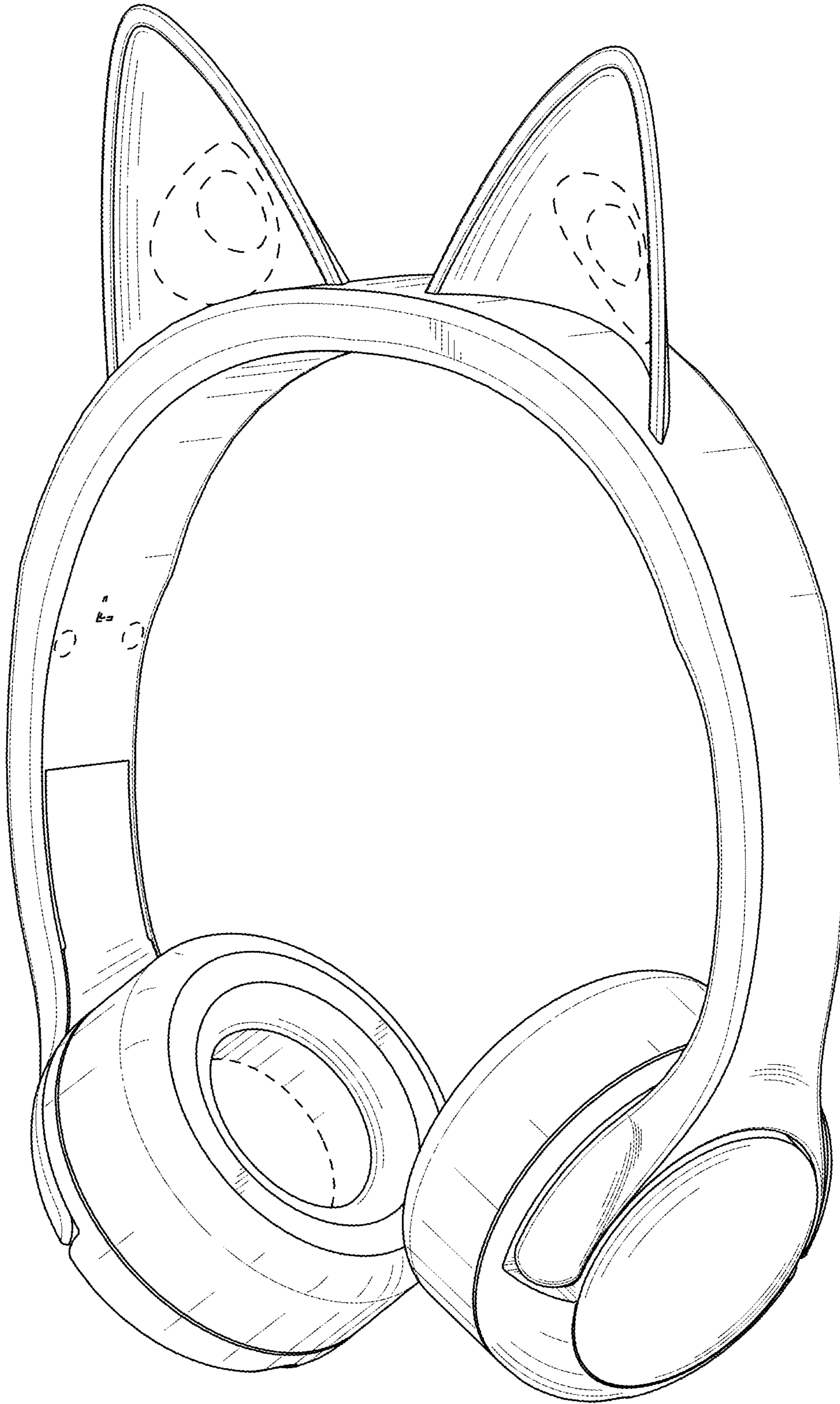


FIG. 1

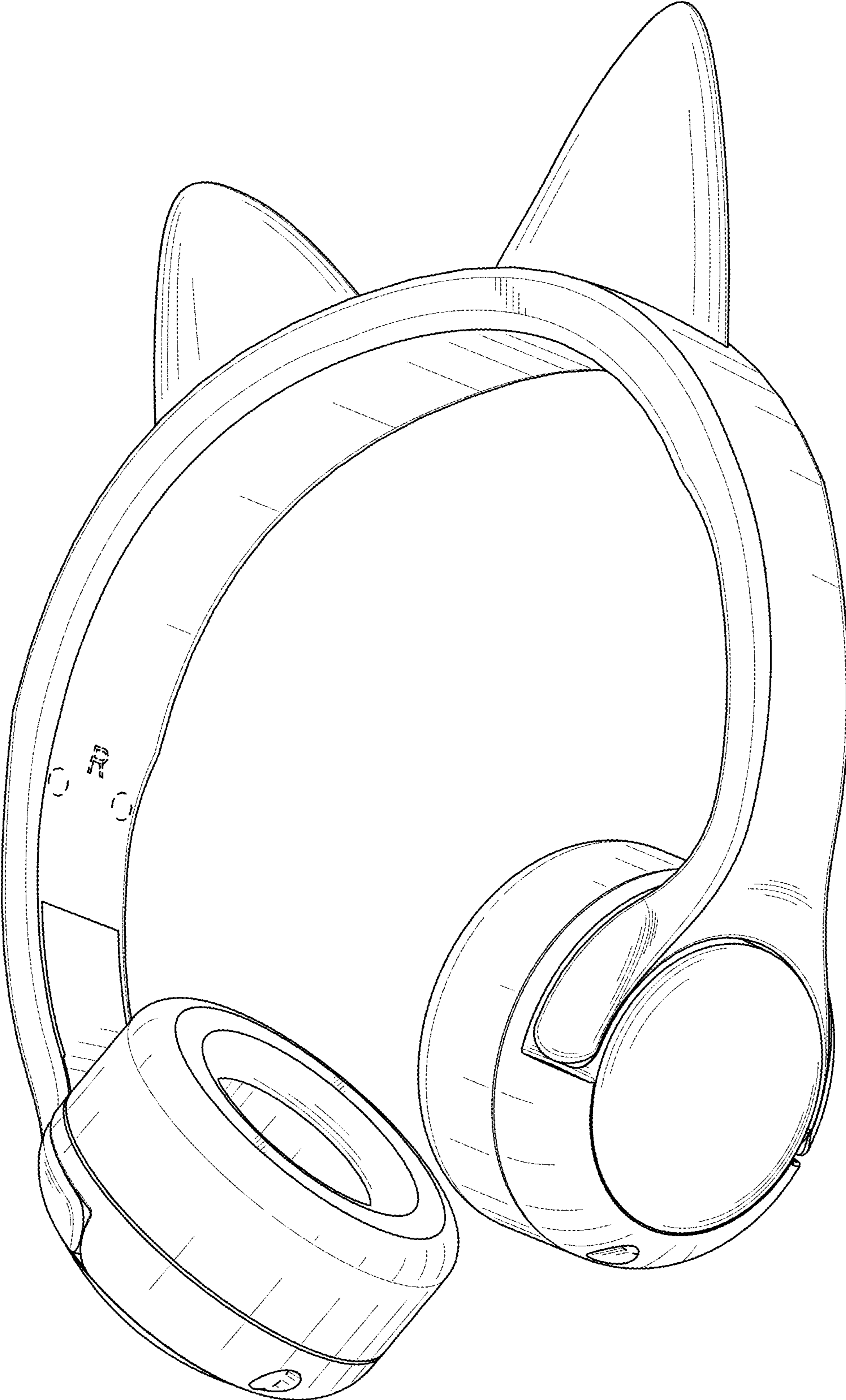


FIG. 2

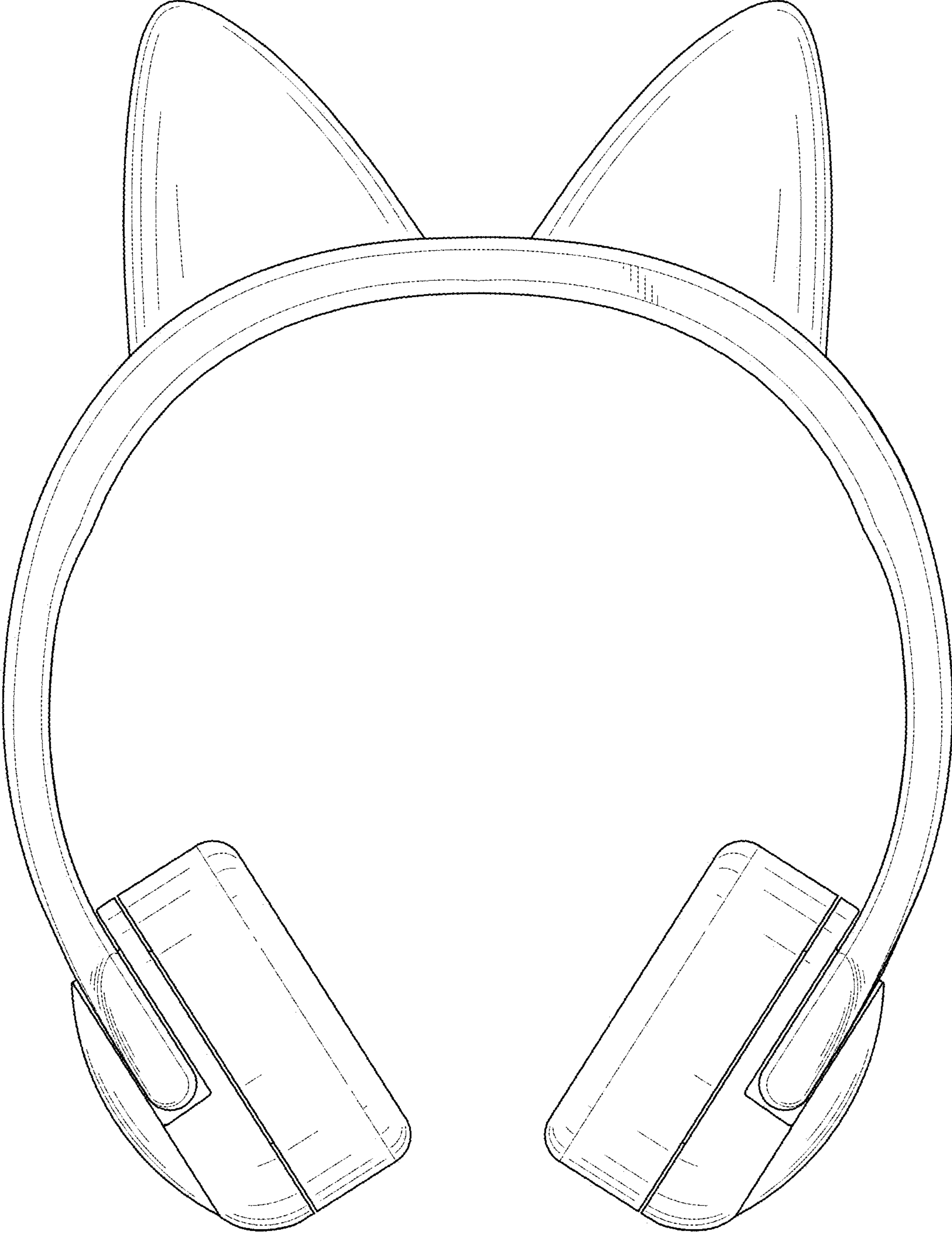


FIG. 3

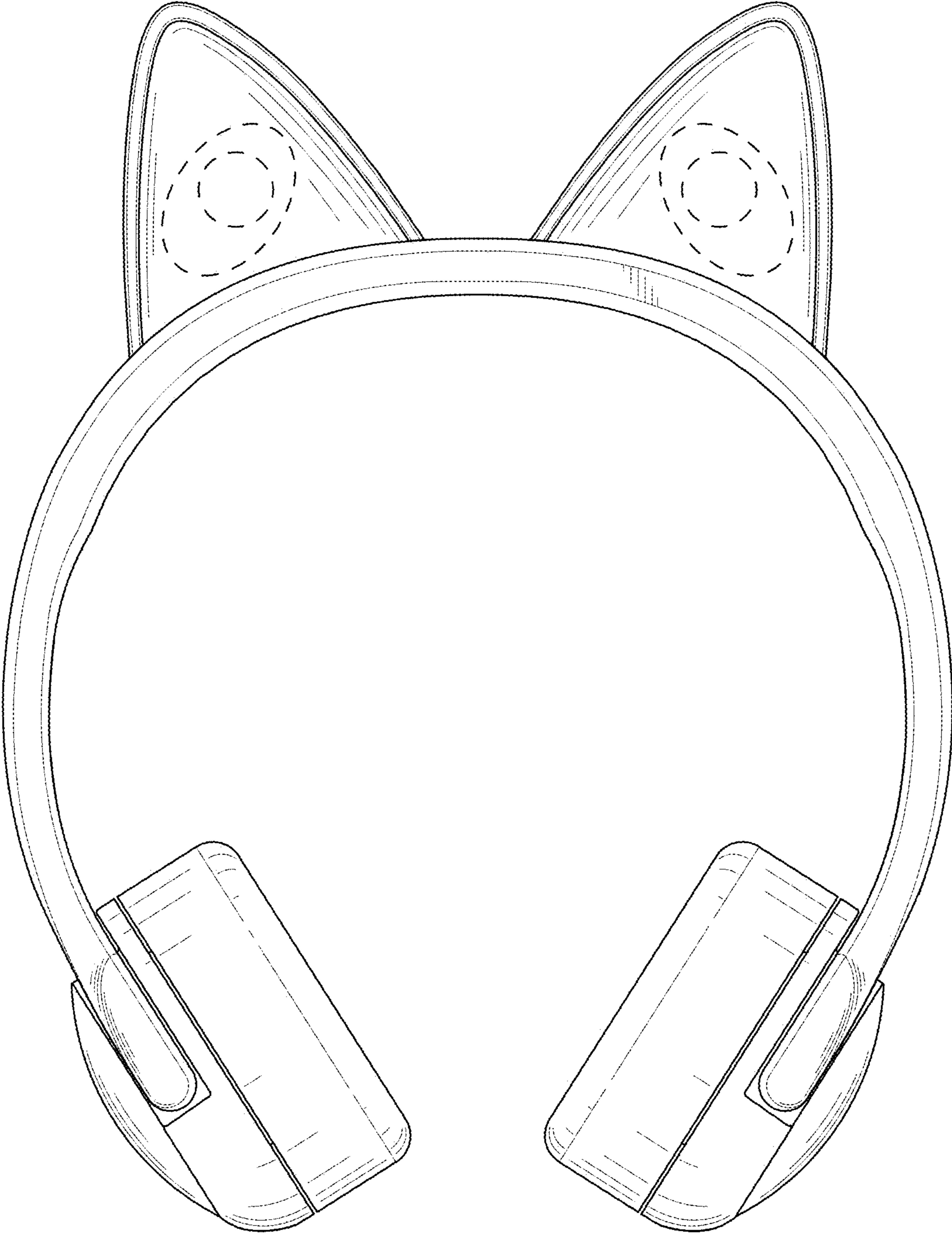


FIG. 4

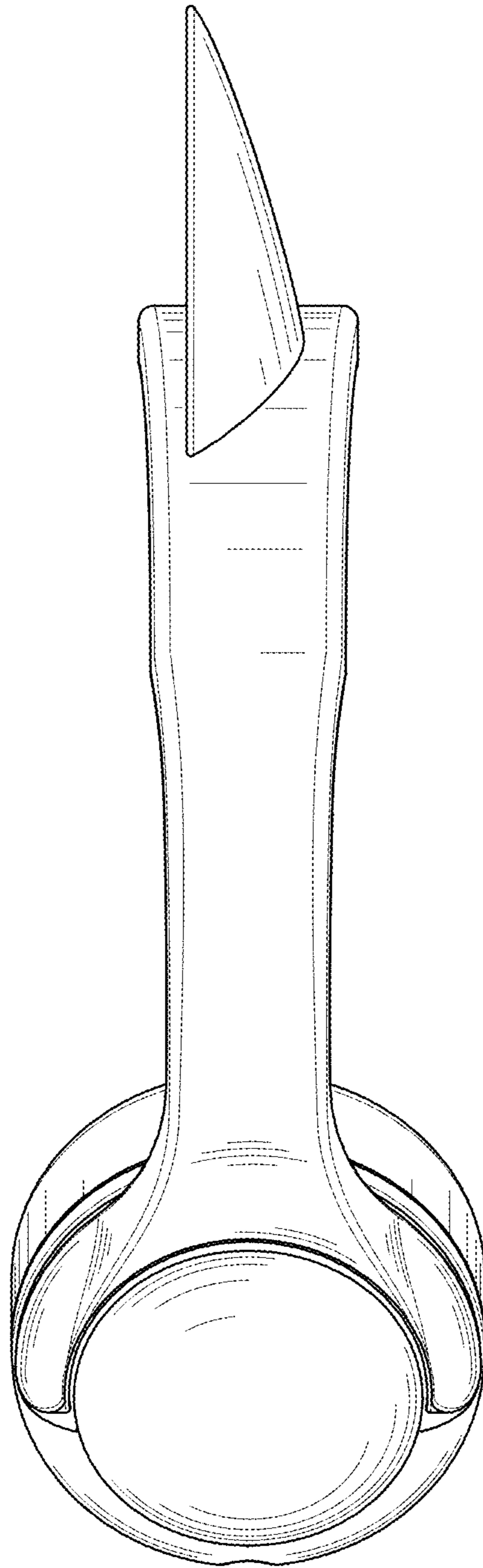


FIG. 5

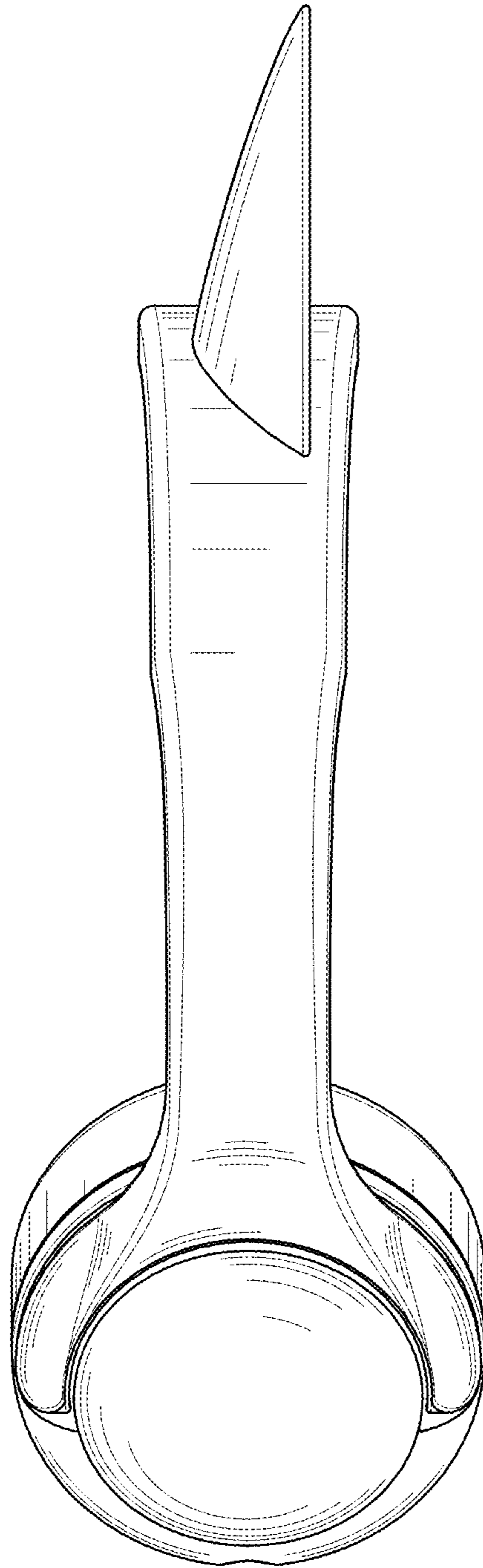


FIG. 6

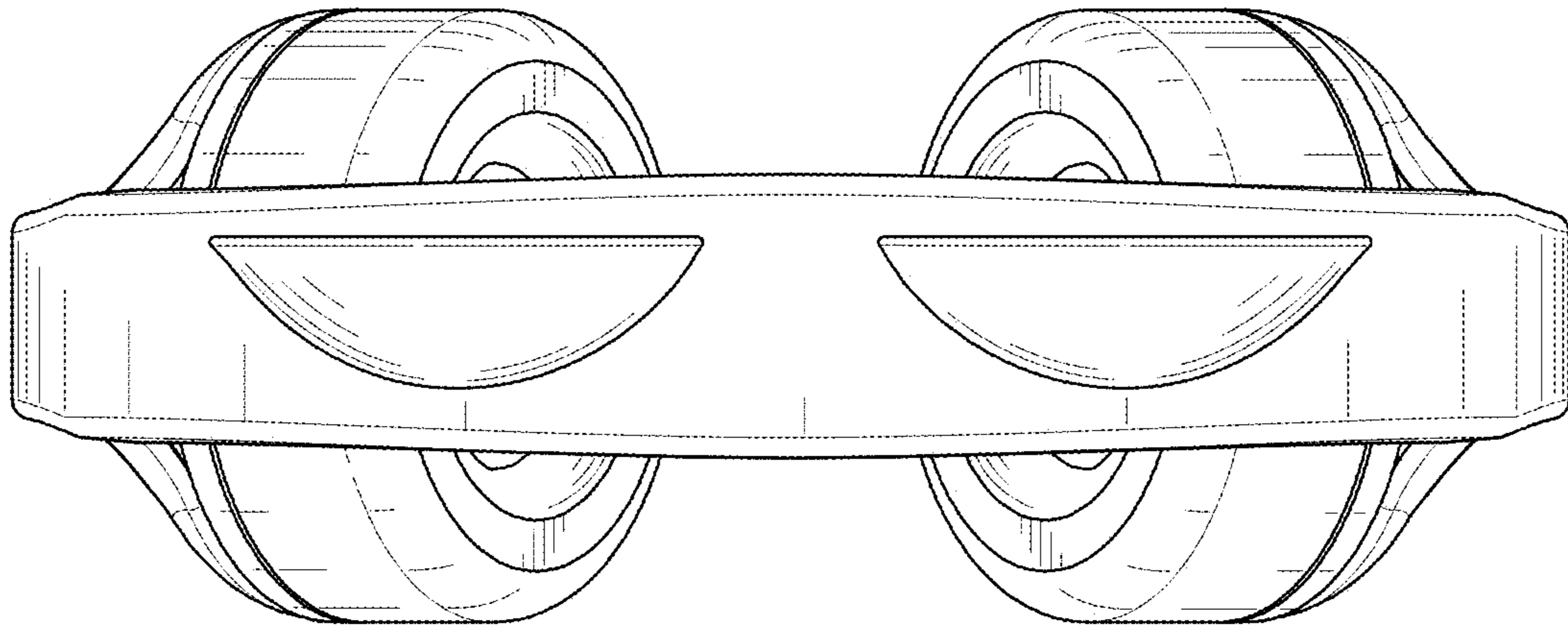


FIG. 7

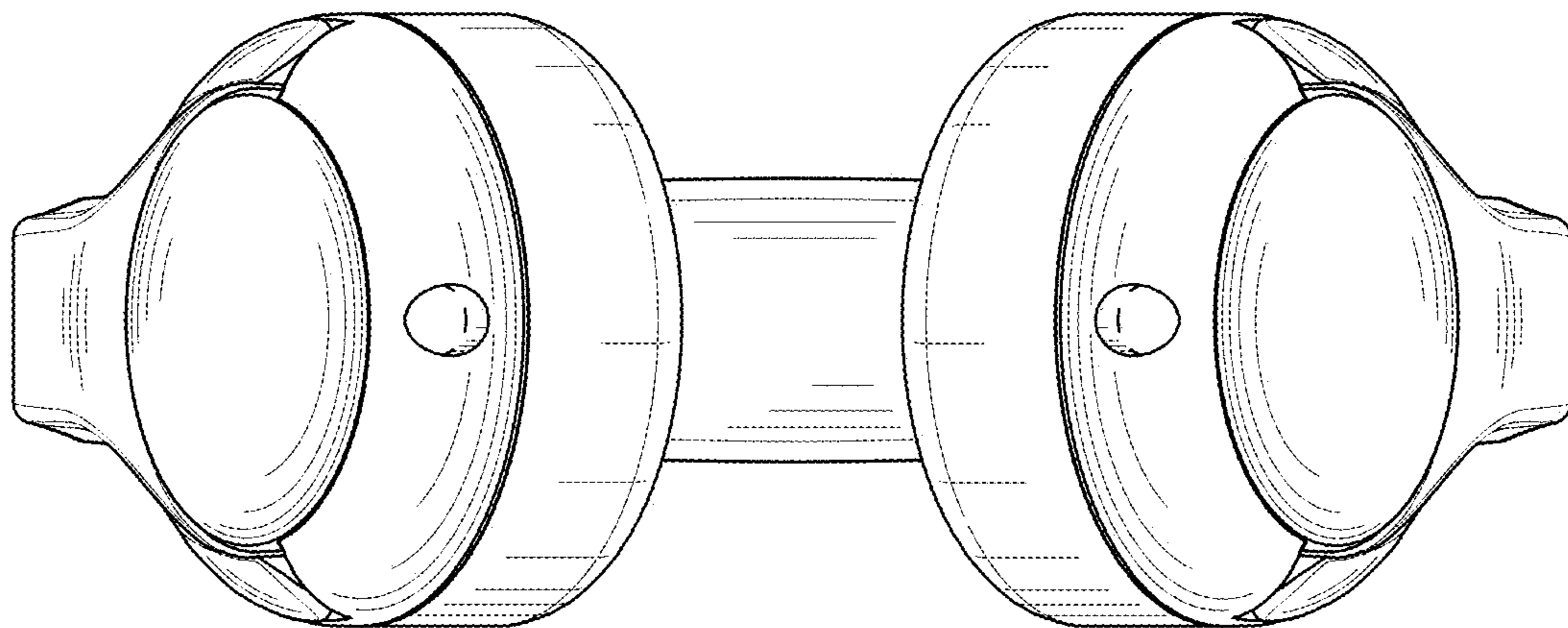


FIG. 8