

US00D975672S

(12) **United States Design Patent** (10) **Patent No.:** **US D975,672 S**  
**Akana et al.** (45) **Date of Patent:** **\*\* \*Jan. 17, 2023**

(54) **HEADPHONES**

(71) Applicant: **Apple Inc.**, Cupertino, CA (US)

(72) Inventors: **Jody Akana**, San Francisco, CA (US); **Molly Anderson**, San Francisco, CA (US); **Bartley K. Andre**, Palo Alto, CA (US); **Shota Aoyagi**, San Francisco, CA (US); **Anthony Michael Ashcroft**, San Francisco, CA (US); **Marine C. Bataille**, San Francisco, CA (US); **Jeremy Bataillou**, San Francisco, CA (US); **Abidur Rahman Chowdhury**, San Francisco, CA (US); **Clara Geneviève Marine Courtaigne**, Palo Alto, CA (US); **Markus Diebel**, San Francisco, CA (US); **Jonathan Gomez Garcia**, San Francisco, CA (US); **M. Evans Hankey**, San Francisco, CA (US); **Richard P. Howarth**, San Francisco, CA (US); **Jonathan P. Ive**, San Francisco, CA (US); **Julian Jaede**, San Francisco, CA (US); **Duncan Robert Kerr**, San Francisco, CA (US); **Peter Russell-Clarke**, San Francisco, CA (US); **Benjamin Andrew Shaffer**, San Jose, CA (US); **Joe Sung-Ho Tan**, San Francisco, CA (US); **Clement Tissandier**, San Francisco, CA (US); **Eugene Antony Whang**, San Francisco, CA (US)

(73) Assignee: **Apple Inc.**, Cupertino, CA (US)

(\*) Notice: This patent is subject to a terminal disclaimer.

(\*\*) Term: **15 Years**

(21) Appl. No.: **29/746,598**

(22) Filed: **Aug. 14, 2020**

(51) **LOC (14) Cl.** ..... **14-01**

(52) **U.S. Cl.**  
USPC ..... **D14/205**

(58) **Field of Classification Search**  
USPC ..... D14/205, 188, 192; D29/112; 2/209; 381/380-381, 370, 374

(Continued)

(56) **References Cited**

U.S. PATENT DOCUMENTS

1,368,307 A \* 2/1921 Waldron ..... A42B 3/16  
181/129  
3,073,410 A \* 1/1963 Gongoll ..... A61F 11/14  
181/129

(Continued)

FOREIGN PATENT DOCUMENTS

CA 198770 \* 3/2022  
EM 008205280-0007 \* 10/2020

(Continued)

*Primary Examiner* — Paula Allen Greene

(74) *Attorney, Agent, or Firm* — Sterne, Kessler, Goldstein & Fox P.L.L.C.

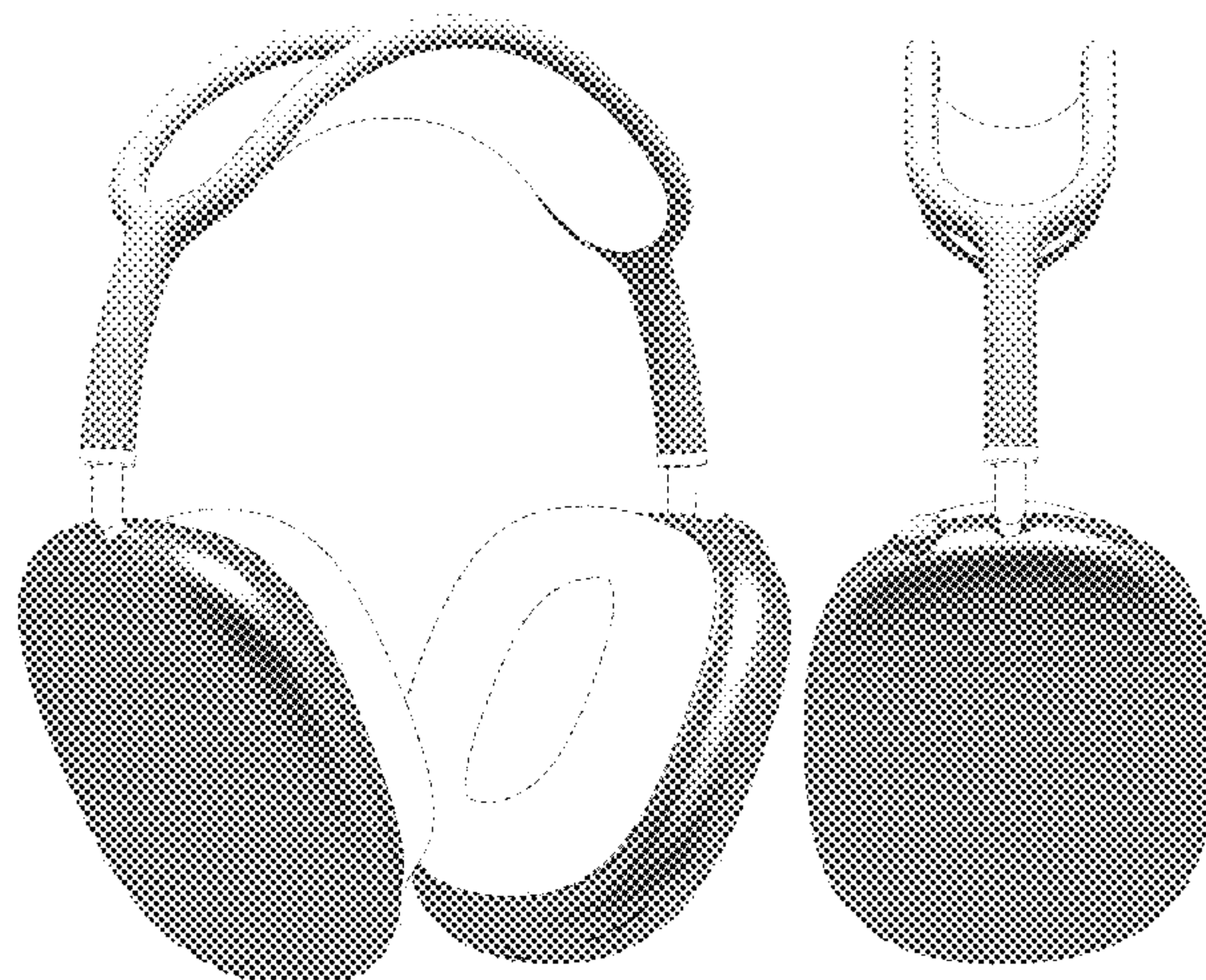
(57) **CLAIM**

The ornamental design for headphones, as shown and described.

**DESCRIPTION**

FIG. 1 is a top front perspective view of headphones showing the claimed design;  
FIG. 2 is a bottom front perspective view thereof;  
FIG. 3 is a front view thereof;  
FIG. 4 is a rear view thereof;  
FIG. 5 is a left side view thereof;  
FIG. 6 is a right side view thereof;  
FIG. 7 is a top view thereof; and,  
FIG. 8 is a bottom view thereof.

(Continued)



The broken lines in the figures show portions of the head-phones that form no part of the claimed design.

**1 Claim, 7 Drawing Sheets**

**(58) Field of Classification Search**

CPC ..... H04R 25/00; H04R 25/02; H04R 1/10; H04R 1/1066; H04R 5/033; H04R 5/0335; H04R 1/1075; H04R 1/1091; H04R 1/1083

See application file for complete search history.

**(56) References Cited**

U.S. PATENT DOCUMENTS

3,593,341 A \* 7/1971 Aileo ..... A42B 3/166  
381/372

D254,616 S 4/1980 Tabata

D262,019 S \* 11/1981 Upshaw ..... D14/205

4,471,496 A \* 9/1984 Gardner, Jr. .... A61F 11/14  
2/209

4,674,134 A \* 6/1987 Lundin ..... A61F 11/14  
381/372

4,958,697 A \* 9/1990 Moody ..... A42B 3/166  
381/372

4,993,074 A \* 2/1991 Carroll ..... H04R 5/033  
381/189

5,020,163 A \* 6/1991 Aileo ..... A61F 11/14  
381/372

5,023,955 A \* 6/1991 Murphy, II ..... A61F 11/14  
181/129

5,138,722 A \* 8/1992 Urella ..... H04R 1/1008  
D14/206

D353,818 S 12/1994 Nakamura

D358,391 S 5/1995 Isono

D373,360 S 9/1996 Kanno

D375,312 S 11/1996 Kanno

D376,598 S 12/1996 Hayashi

D443,872 S 6/2001 Mori

D452,492 S 12/2001 Mori

D457,512 S 5/2002 Yoneda

D459,337 S 6/2002 Mori

D465,616 S \* 11/2002 Nilsson ..... A61F 11/14  
D29/112

D467,580 S 12/2002 Mori

D502,695 S 3/2005 Suzuki

D508,483 S 8/2005 Suzuki

D517,045 S 3/2006 Komiyama

D517,527 S 3/2006 Suzuki

D519,110 S 4/2006 Komiyama

D519,497 S 4/2006 Komiyama

D520,492 S 5/2006 Chen

D552,077 S 10/2007 Brunner et al.

D567,215 S 4/2008 Lee

D601,124 S 9/2009 Uchimura et al.

D632,668 S 2/2011 Brunner et al.

D633,896 S 3/2011 Kondo et al.

D637,176 S 5/2011 Brunner et al.

D657,344 S 4/2012 Brunner et al.

D657,345 S 4/2012 Brunner et al.

D674,767 S 1/2013 Brunner et al.

8,767,996 B1 \* 7/2014 Lin ..... H04R 3/12  
381/370

D716,760 S 11/2014 Brunner et al.

D775,605 S 1/2017 Lee et al.

D778,258 S 2/2017 Hsu et al.

D780,156 S 2/2017 Petersen

D791,734 S 7/2017 Ou

D796,474 S 9/2017 Treski et al.

D814,439 S 4/2018 Birath et al.

D815,615 S \* 4/2018 Wernblad ..... D14/205

D826,210 S 8/2018 Chong

D830,993 S 10/2018 Petersen et al.

D842,270 S \* 3/2019 Chen ..... D14/205

D843,345 S 3/2019 Brunner et al.

D848,973 S 5/2019 Karacal

D851,062 S 6/2019 Saule et al.

D851,622 S 6/2019 Billaudet et al.

10,362,380 B2 7/2019 Ito et al.

D857,655 S 8/2019 Saule et al.

D860,163 S 9/2019 Xia

D867,327 S 11/2019 Brunner et al.

D871,368 S 12/2019 Saule et al.

D872,049 S 1/2020 Saule et al.

D873,237 S 1/2020 Ozawa et al.

D876,388 S 2/2020 Carr et al.

D878,329 S 3/2020 Levine et al.

D881,840 S 4/2020 Chen

D889,432 S 7/2020 Brunner et al.

10,721,550 B2 7/2020 Bunney et al.

D900,783 S \* 11/2020 Levine ..... D14/205

D916,680 S \* 4/2021 Akana ..... D14/205

D926,725 S \* 8/2021 Akana ..... D14/205

D937,806 S \* 12/2021 Akana ..... D14/205

11,272,280 B1 \* 3/2022 Minerbi ..... H04R 1/1008

D953,288 S \* 5/2022 Akana ..... D14/205

D953,289 S \* 5/2022 Akana ..... D14/205

D954,019 S \* 6/2022 Shyu ..... D14/205

D959,406 S \* 8/2022 Akana ..... D14/205

2010/0158301 A1 \* 6/2010 Kuhtz ..... H04R 1/1008  
381/374

2014/0219466 A1 \* 8/2014 Saideh ..... H04R 1/1041  
381/74

2016/0150307 A1 \* 5/2016 Huang ..... H04R 1/1083  
381/371

2017/0180863 A1 \* 6/2017 Biggs ..... H04S 1/005

2021/0352388 A1 \* 11/2021 Chen ..... H04R 1/023

FOREIGN PATENT DOCUMENTS

JP D1557743 S 9/2016

KR 30-0687072 3/2013

TW 214800-0001 \* 4/2020

TW 214362-0001 \* 8/2020

\* cited by examiner



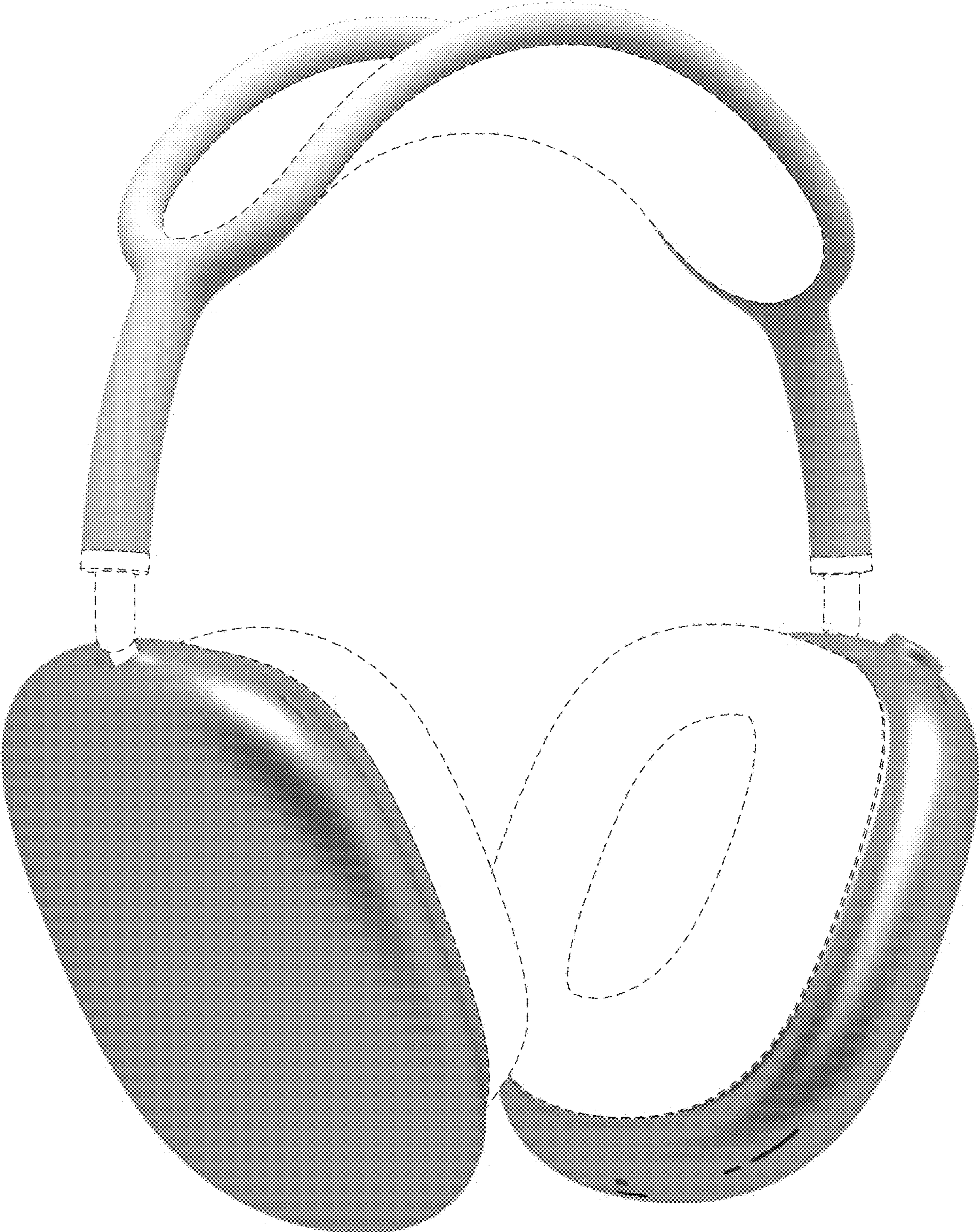


FIG. 1





FIG. 2

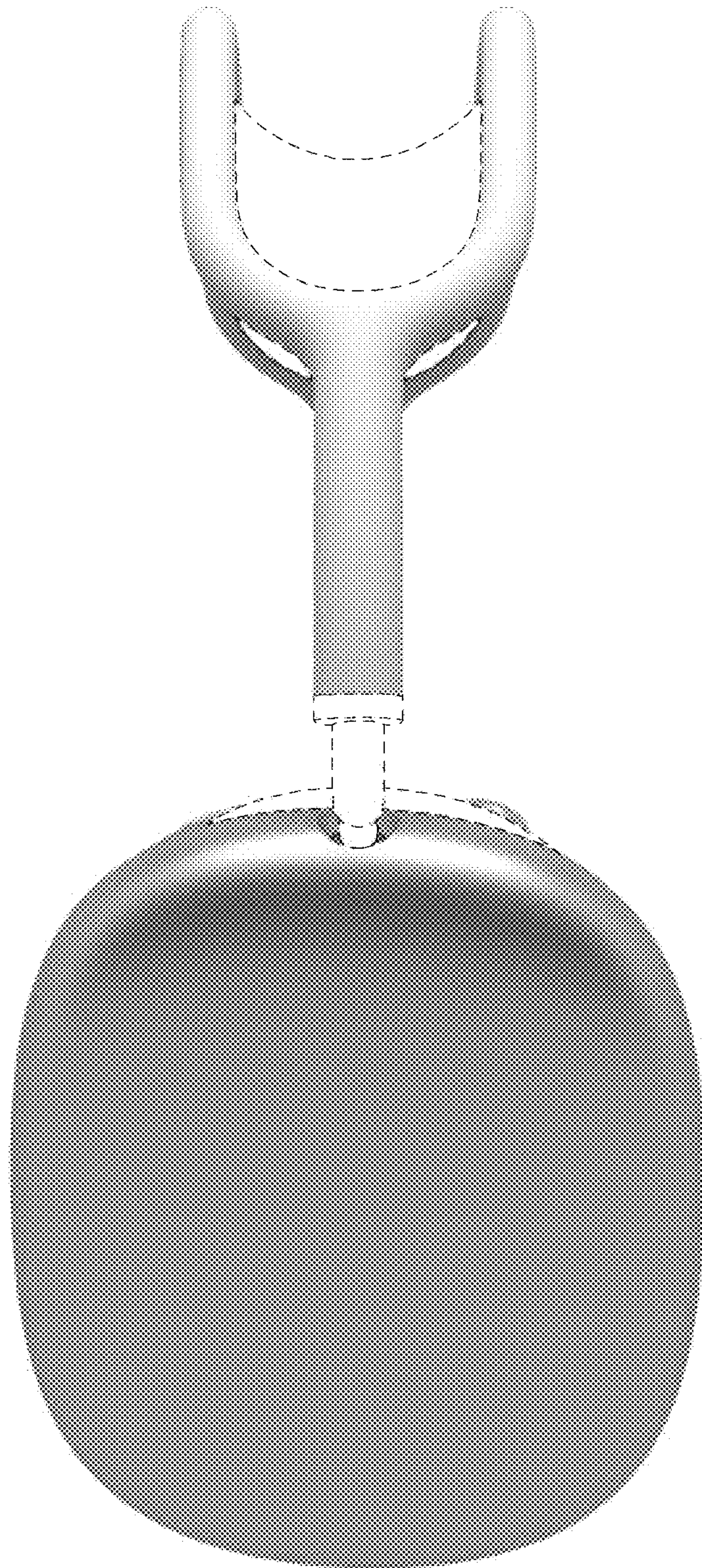


FIG. 3





FIG. 4



**FIG. 5**



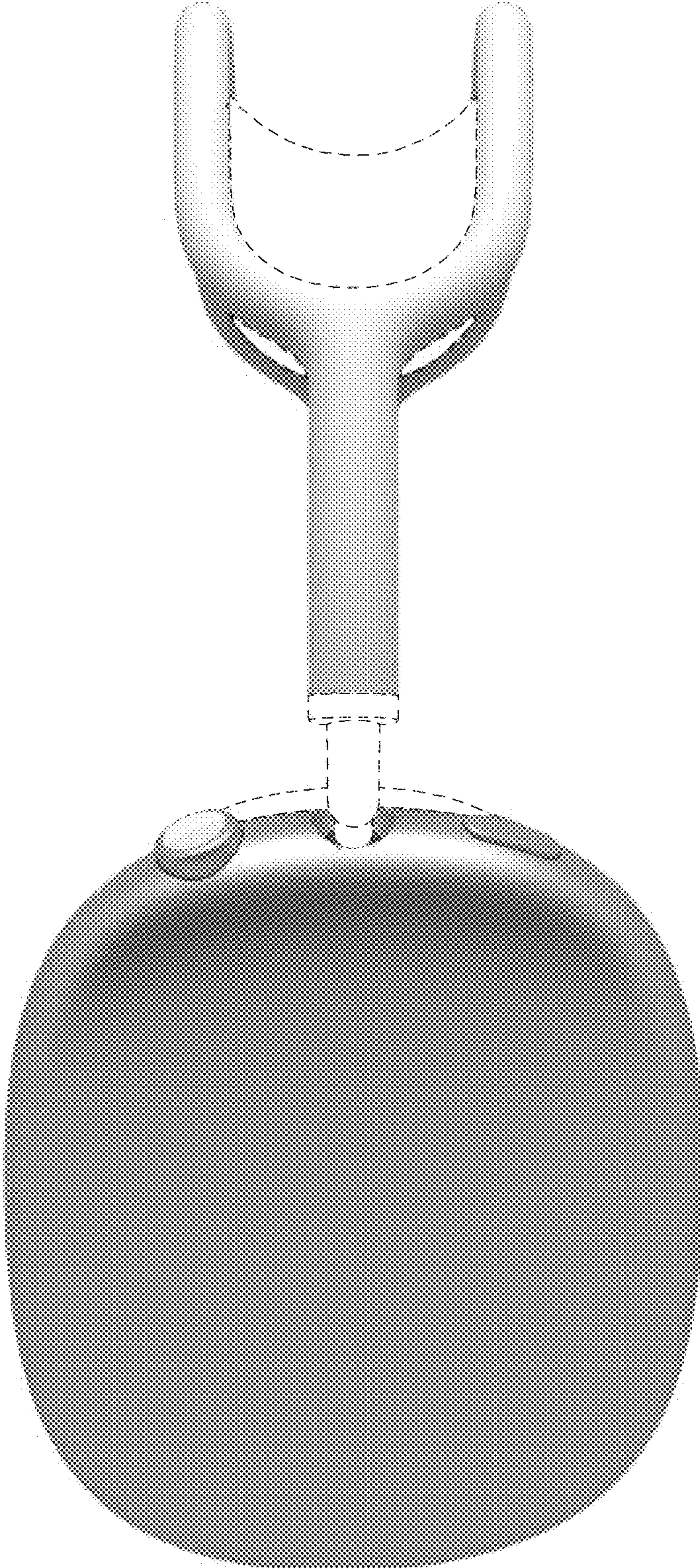


FIG. 6



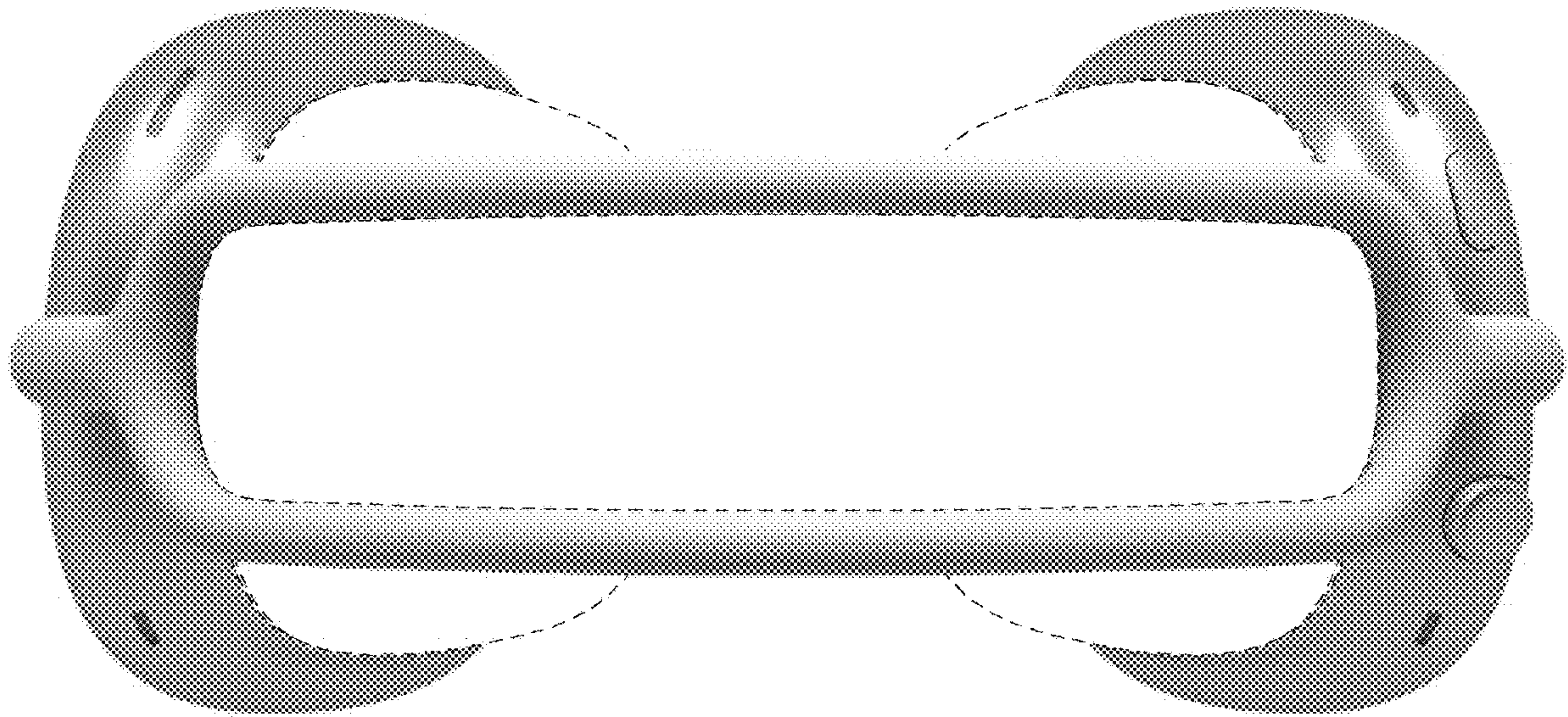


FIG. 7

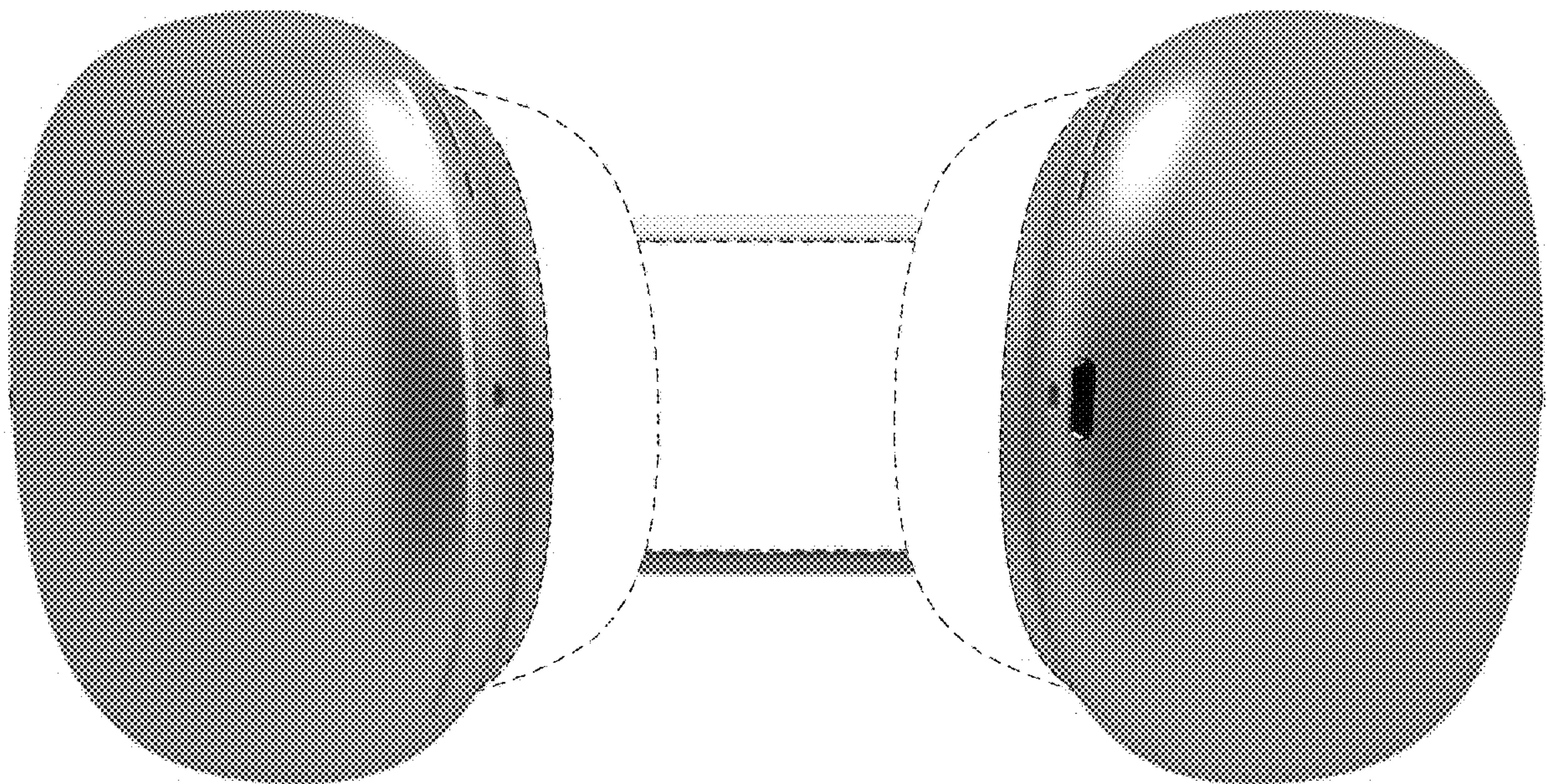


FIG. 8