



US00D975667S

(12) **United States Design Patent** (10) **Patent No.:** **US D975,667 S**
Lee (45) **Date of Patent:** **** Jan. 17, 2023**

(54) **TELEVISION**

FOREIGN PATENT DOCUMENTS

(71) Applicant: **LG ELECTRONICS INC.**, Seoul (KR)

WO 2021251549 * 12/2021 G06F 1/1605
WO WO-2021251549 A1 * 12/2021 F16M 11/125

(72) Inventor: **Nari Lee**, Seoul (KR)

Primary Examiner — Marie D. Fast Horse

(73) Assignee: **LG ELECTRONICS INC.**, Seoul (KR)

(74) *Attorney, Agent, or Firm* — Birch, Stewart, Kolasch & Birch, LLP

(**) Term: **15 Years**

(57) **CLAIM**

(21) Appl. No.: **29/751,605**

The ornamental design for a television, as shown and described.

(22) Filed: **Sep. 22, 2020**

DESCRIPTION

(30) **Foreign Application Priority Data**

Apr. 9, 2020 (KR) 30-2020-0015896

(51) **LOC (14) Cl.** **14-03**

(52) **U.S. Cl.**
USPC **D14/126; D14/239**

(58) **Field of Classification Search**
USPC D14/126, 128, 129, 130, 132, 133, 159,
D14/239, 307, 336, 371, 372, 374, 375,
D14/376, 377, 383, 385, 448, 451, 496;
D20/10, 18, 19, 21, 39; D16/241;
D26/61, 62; D18/4.6; D6/312

CPC G06F 1/1601; G06F 1/1605; G06F 1/1607;
G06F 1/1637; G06F 1/1642; G06F 1/182;
G06F 1/20; G06F 2200/1612; G06F
3/0421; G06F 3/0428; G06F 3/0488;
G06F 3/1446; H04N 5/64; H04N
1/00522; H05K 7/18;

(Continued)

(56) **References Cited**

U.S. PATENT DOCUMENTS

D157,744 S * 3/1950 Earley D6/312
D229,231 S * 11/1973 Beeren D16/135
D348,449 S * 7/1994 Rodd D14/374

(Continued)

FIG. 1 is a front, right side, perspective view of a television showing my new design;

FIG. 2 is a front view thereof;

FIG. 3 is a rear view thereof;

FIG. 4 is a left side view thereof;

FIG. 5 is a right side view thereof;

FIG. 6 is a top view thereof;

FIG. 7 is a bottom view thereof;

FIG. 8 is an enlarged detail view of the selected portion in FIG. 1;

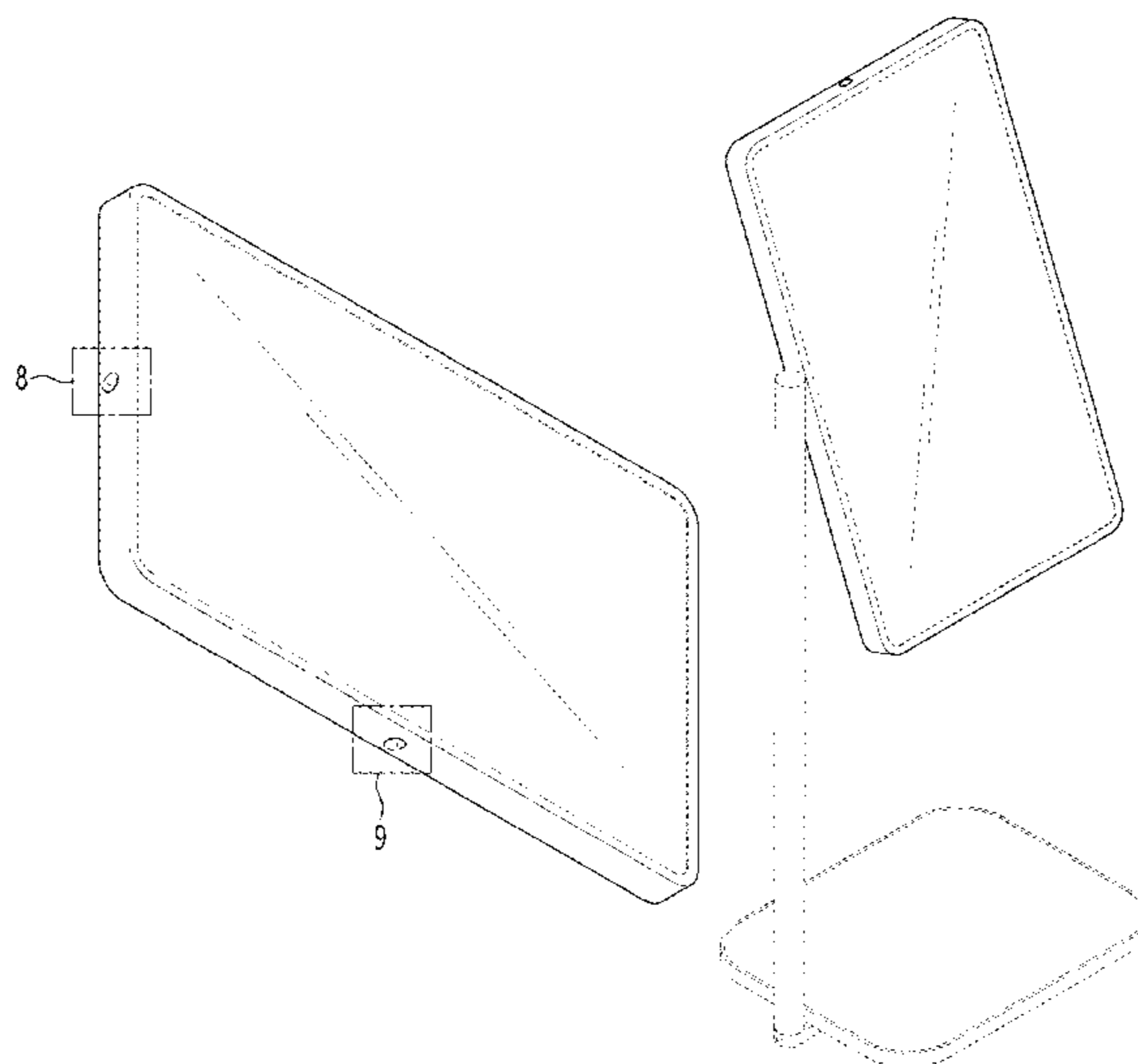
FIG. 9 is an enlarged detail view of the selected portion in FIG. 1;

FIG. 10 is another perspective view thereof, shown in a state of use mounted on an environmental stand and tilted in an upward position; and,

FIG. 11 is another perspective view thereof, shown in another state of use mounted on an environmental stand, where the television is rotated clockwise 45° relative to the stand and tilted in an upward position.

The broken dashed lines showing the additional stand in FIGS. 10 and 11 depict environmental structure only and form no part of the claim, while all other broken dashed lines depict portions of the television that form no part of the claimed design. The broken lines consisting of a long dash and a short dash depict reference to the enlargements shown in the figures and form no part of the claim.

1 Claim, 11 Drawing Sheets



(58) **Field of Classification Search**
 CPC H05K 7/183; H05K 7/186; A47B 81/064;
 A47B 51/00; A47B 21/0073
 See application file for complete search history.

(56) **References Cited**

U.S. PATENT DOCUMENTS

D393,853	S	*	4/1998	Maas	D14/126
D422,575	S	*	4/2000	Tikhonski	D14/126
D425,036	S	*	5/2000	Copus	D14/126
D449,609	S	*	10/2001	Jung	D14/374
D493,816	S	*	8/2004	Butler	D14/371
D586,566	S	*	2/2009	Ko	D6/312
D597,975	S	*	8/2009	Ohno	D14/126
D615,542	S	*	5/2010	Oikawa	D14/374
D633,307	S	*	3/2011	Mangelsen	D6/300
D669,076	S	*	10/2012	Haller	D14/374
D671,083	S	*	11/2012	Kim	D14/126
D677,265	S	*	3/2013	Lu	D14/451

D707,676	S	*	6/2014	Azuma	D14/307
D707,677	S	*	6/2014	Azuma	D14/307
D707,678	S	*	6/2014	Azuma	D14/385
D715,799	S	*	10/2014	Ozolins	D14/374
D724,652	S	*	3/2015	Azuma	D14/341
D725,107	S	*	3/2015	Yeon	D14/376
D725,108	S	*	3/2015	Yeon	D14/376
D727,995	S	*	4/2015	Vilcovsky	D16/221
D740,286	S	*	10/2015	Templeton	D14/385
D769,865	S	*	10/2016	Oakley	D14/336
D824,354	S	*	7/2018	Kymm	D14/126
D826,887	S	*	8/2018	Kymm	D14/126
D860,307	S	*	9/2019	Wang	D18/4.6
D918,909	S	*	5/2021	Rotsaert	D14/385
D941,288	S	*	1/2022	Bhat	D14/336
D949,837	S	*	4/2022	Lee	D14/239
D950,532	S	*	5/2022	Lee	D14/239
D958,125	S	*	7/2022	Lee	D14/239
D958,777	S	*	7/2022	Lee	D14/239
2021/0382522	A1	*	12/2021	Chang	G06F 1/1607

* cited by examiner

FIG. 1

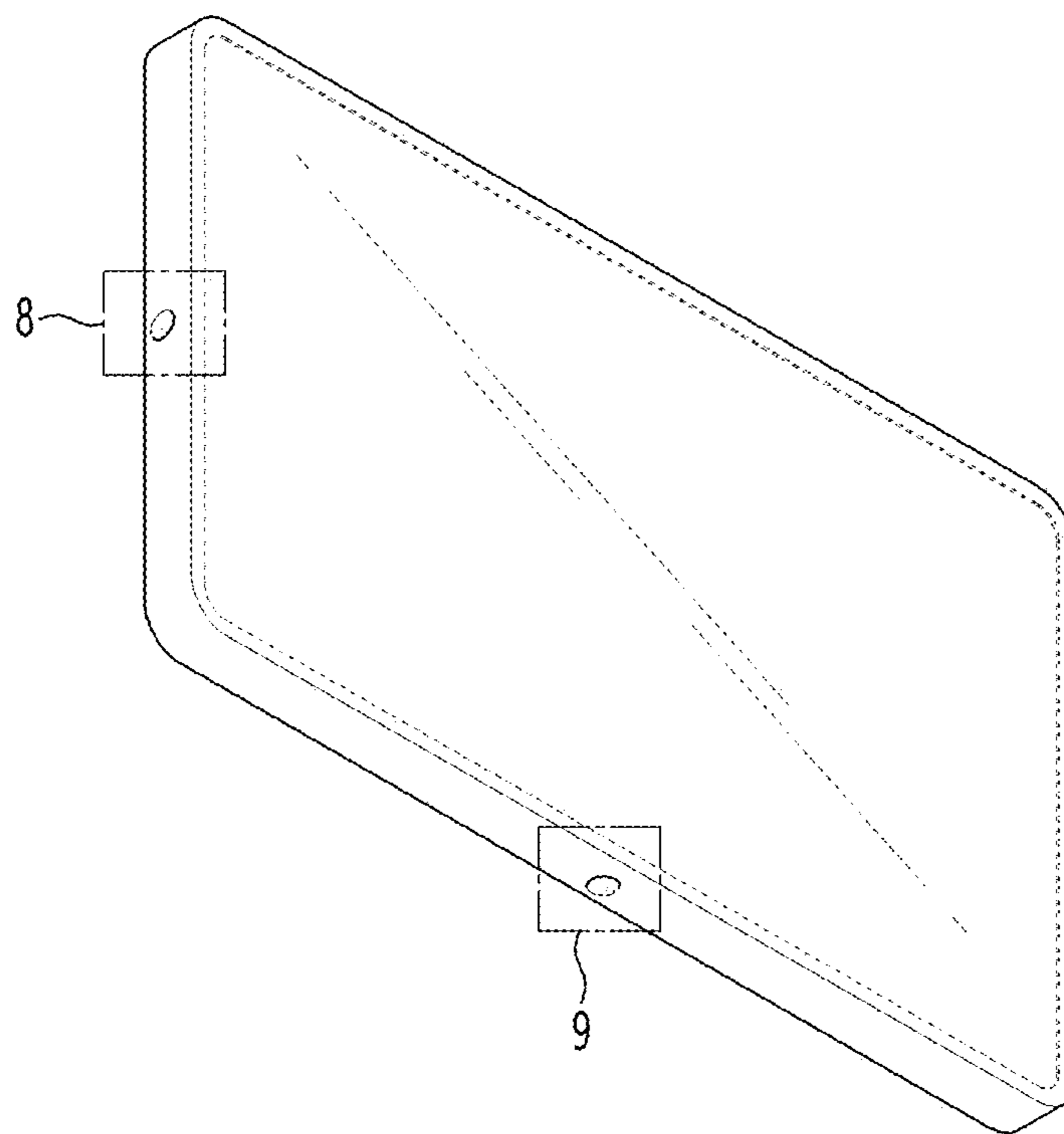


FIG. 2



FIG. 3



FIG. 4



FIG. 5

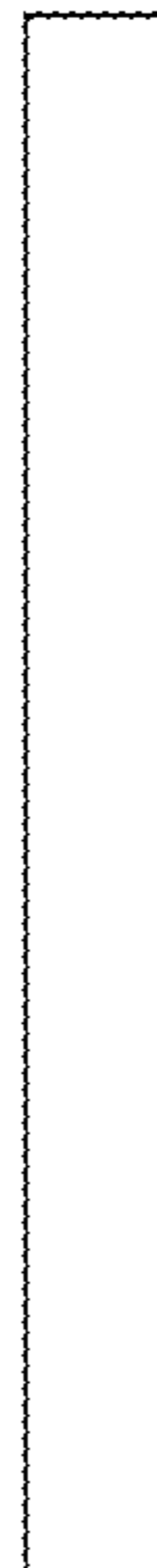


FIG. 6



FIG. 7



FIG. 8

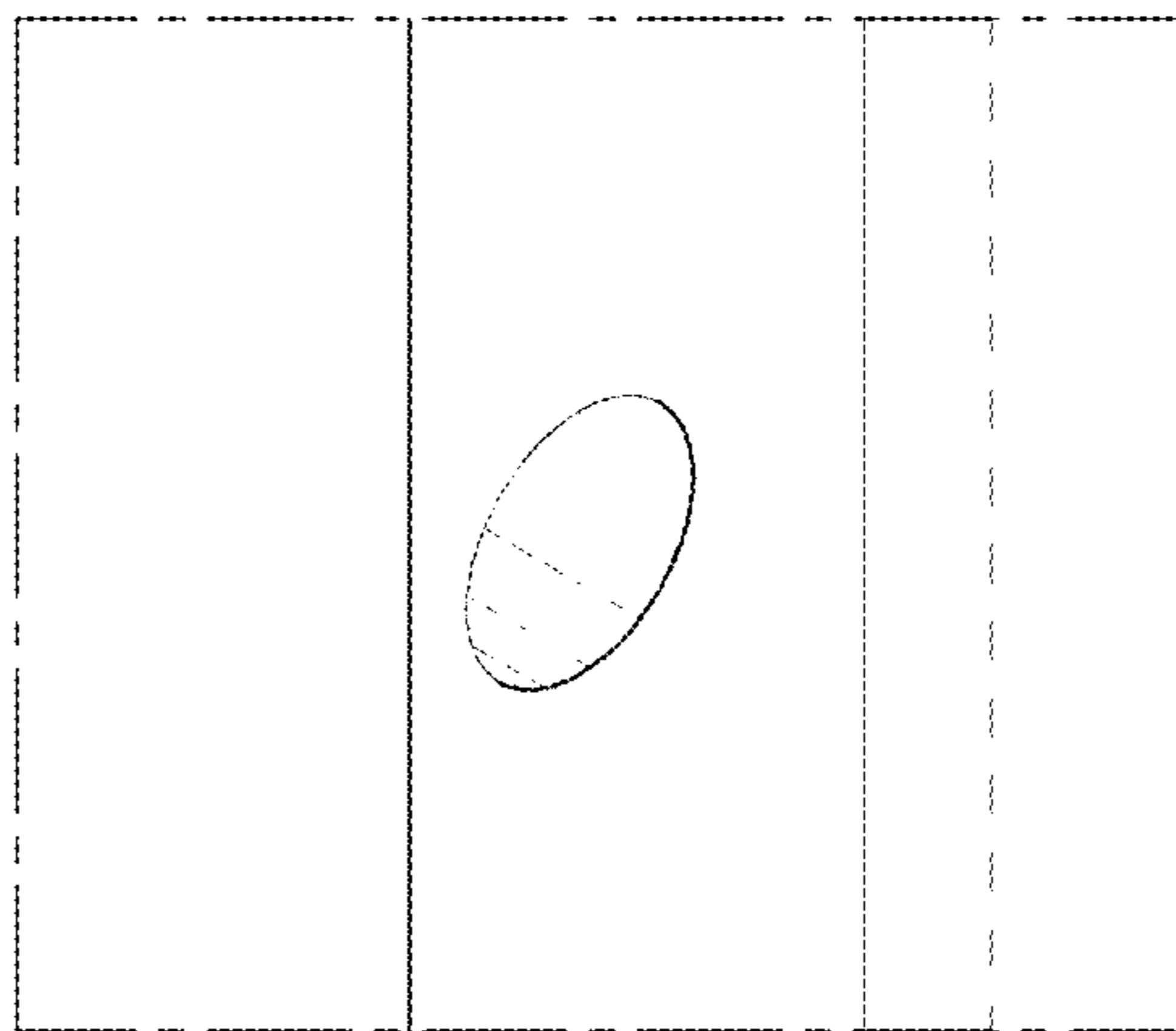


FIG. 9

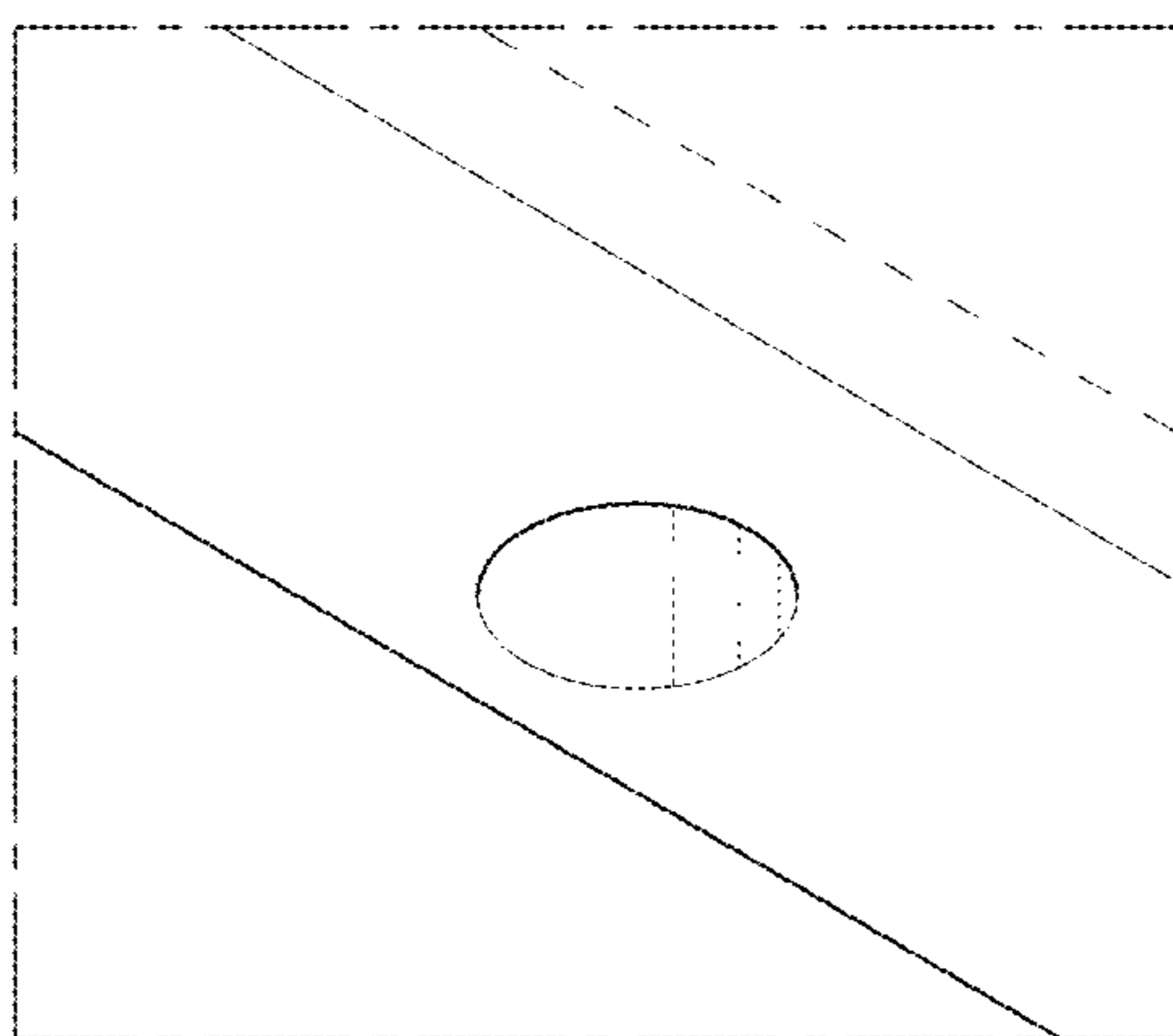


FIG. 10

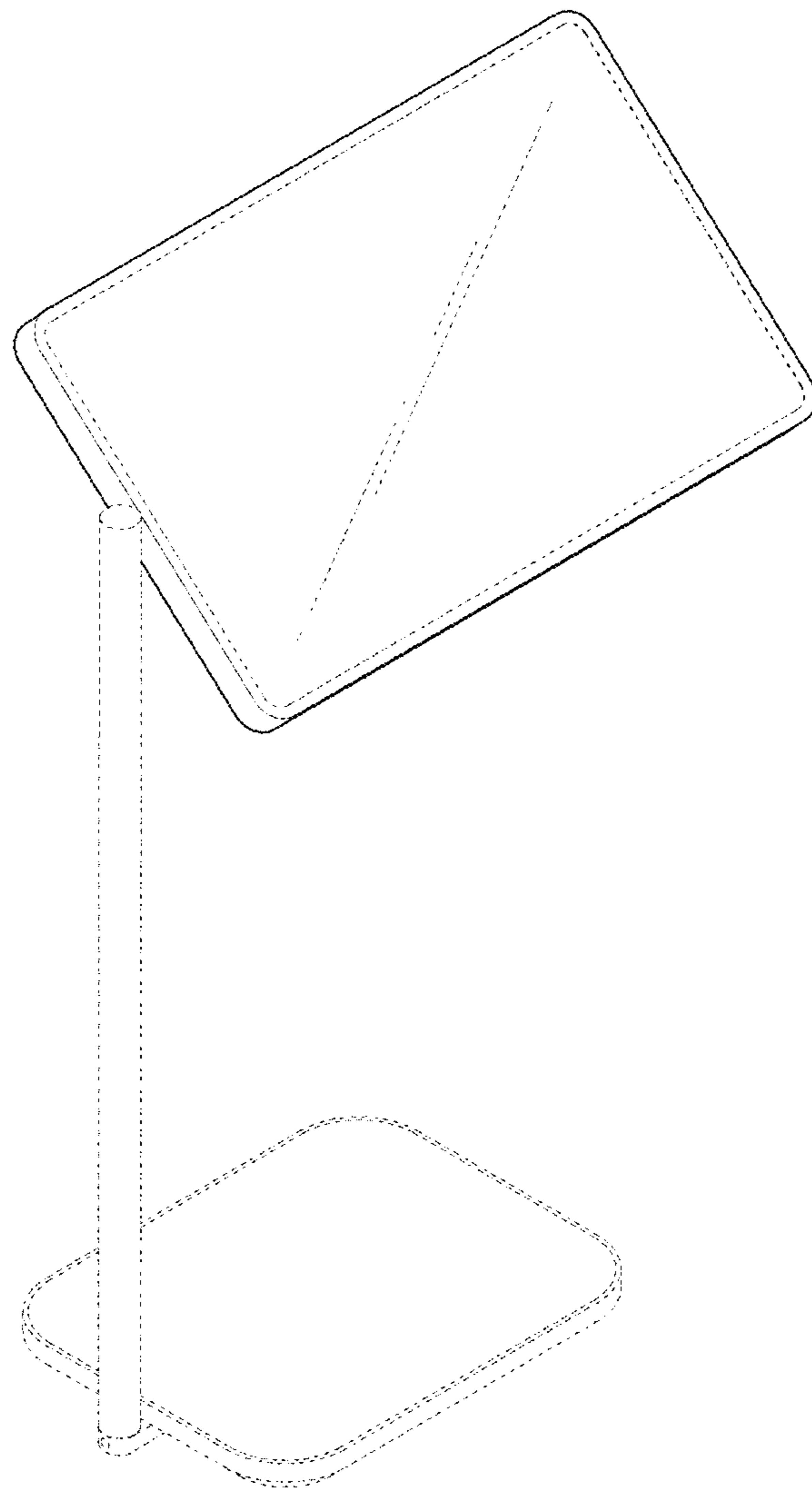


FIG. 11

