



US00D975664S

(12) **United States Design Patent** (10) **Patent No.:** **US D975,664 S**
Hu et al. (45) **Date of Patent:** **** *Jan. 17, 2023**

(54) **LIGHT-EMITTING DEVICE HAVING TWO LIGHT-EMITTING AREAS**

H01L 33/20; H01L 33/38; H01L 33/42;
H01L 33/48; H01L 33/483; H01L 33/486
See application file for complete search history.

(71) Applicant: **EPISTAR CORPORATION**, Hsinchu (TW)

(56) **References Cited**

(72) Inventors: **Wei-Shan Hu**, Hsinchu (TW);
Ching-Tai Cheng, Hsinchu (TW);
Pei-Hsuan Lan, Hsinchu (TW)

U.S. PATENT DOCUMENTS

(73) Assignee: **EPISTAR CORPORATION**, Hsinchu (TW)

D728,491 S	5/2015	Nakabayashi et al.	
D731,987 S	6/2015	Ishida et al.	
9,761,774 B2	12/2017	Chen et al.	
10,177,290 B2	1/2019	Hsieh et al.	
10,205,070 B2	2/2019	Liu et al.	
D897,296 S *	9/2020	Hu	D13/180
2013/0049031 A1	2/2013	Matsuda et al.	
2013/0221383 A1	8/2013	Lee et al.	
2016/0365497 A1	12/2016	Kim et al.	
2016/0372630 A1	12/2016	Jang et al.	
2016/0372646 A1	12/2016	Yoon et al.	
2017/0179344 A1	6/2017	Matsuda	
2017/0222107 A1	8/2017	Chen et al.	
2017/0268734 A1	9/2017	Kawaguchi et al.	

(*) Notice: This patent is subject to a terminal disclaimer.

(**) Term: **15 Years**

(Continued)

(21) Appl. No.: **29/745,495**

Primary Examiner — Selina Sikder

(22) Filed: **Aug. 6, 2020**

(74) Attorney, Agent, or Firm — Muncy, Geissler, Olds & Lowe, P.C.

Related U.S. Application Data

(63) Continuation of application No. 29/674,976, filed on Dec. 27, 2018, now Pat. No. Des. 897,296.

(57) **CLAIM**

The ornamental design for a light-emitting device having two light-emitting areas, as shown and described.

Foreign Application Priority Data

Jun. 28, 2018 (TW) 107303633

(51) **LOC (14) Cl.** **13-03**

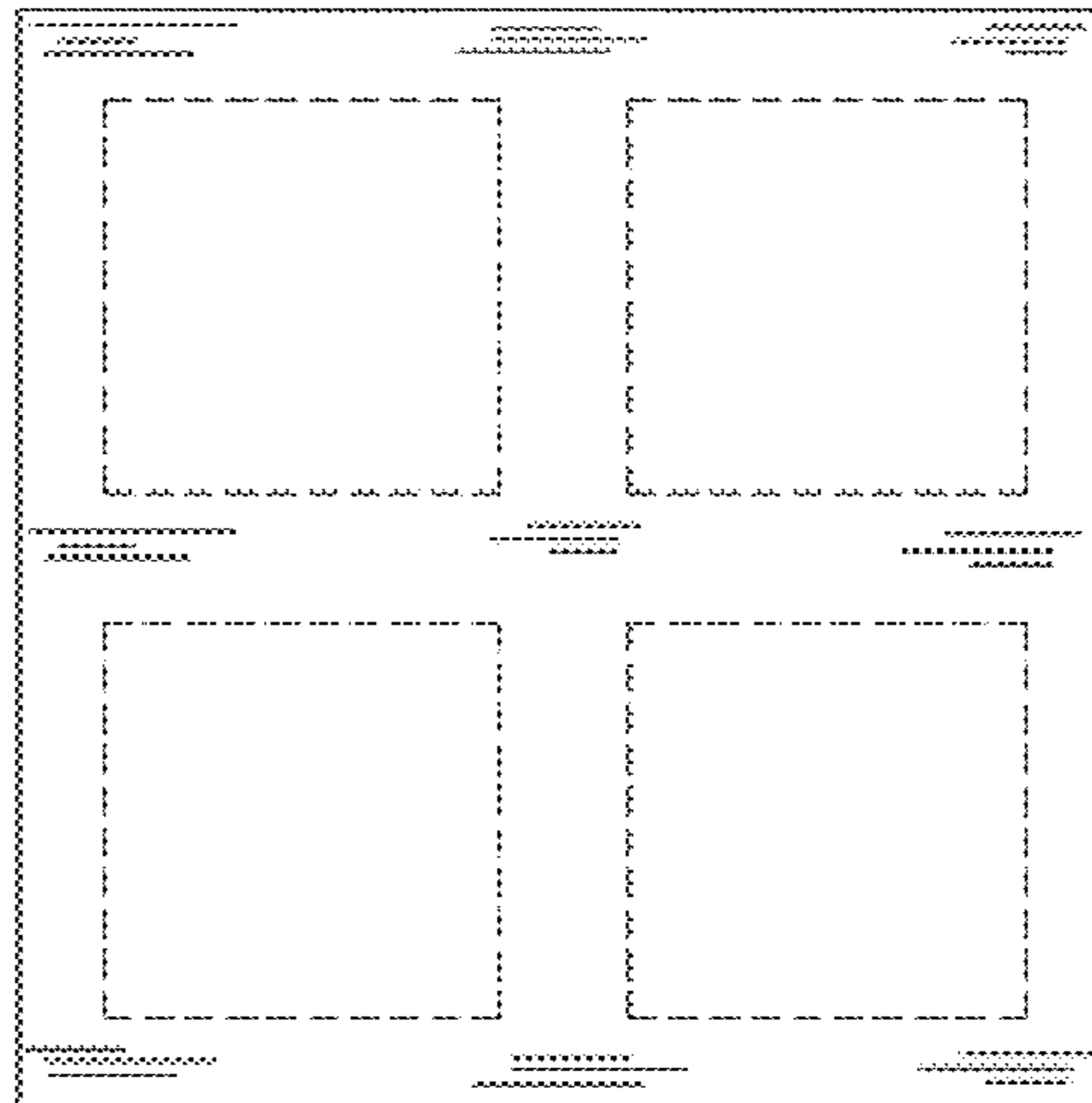
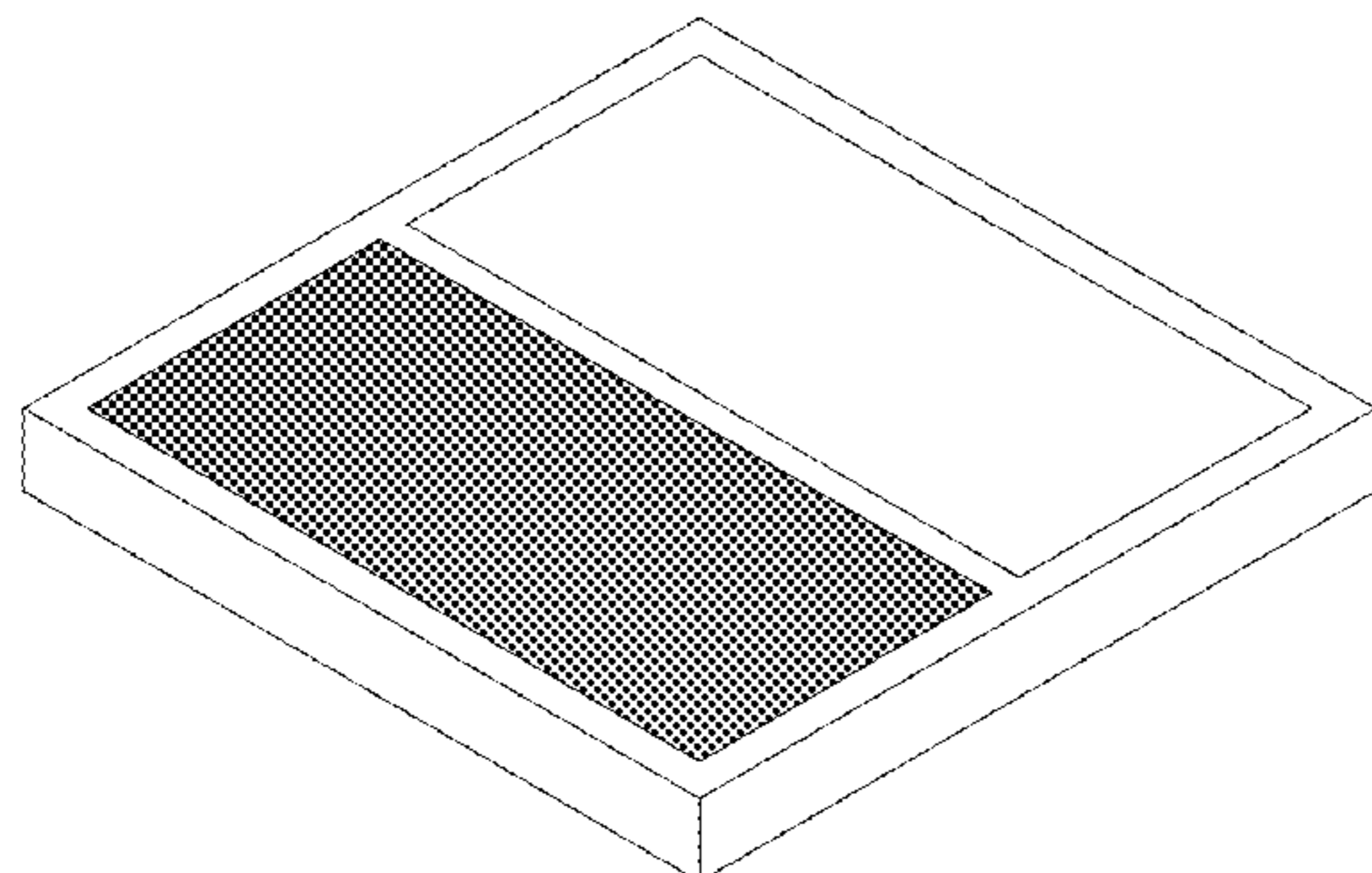
(52) **U.S. Cl.**
USPC **D13/180**

(58) **Field of Classification Search**
USPC D13/180; D24/1
CPC ... H01L 25/167; H01L 25/0753; H01L 27/15;
H01L 27/156; H01L 31/02; H01L 33/00;
H01L 33/04; H01L 33/08; H01L 33/10;

DESCRIPTION

FIG. 1 is a first perspective view of a light-emitting device having two light-emitting areas showing our new design; FIG. 2 is a second perspective view thereof; FIG. 3 is a front elevational view thereof; FIG. 4 is a rear elevational view thereof; FIG. 5 is a left side view thereof; FIG. 6 is a right side view thereof; FIG. 7 is a top plan view thereof; and, FIG. 8 is a bottom plan view thereof.

(Continued)



The broken lines illustrate portions of the portions of the light-emitting device having two light-emitting areas, which form no part of the claimed design.

1 Claim, 6 Drawing Sheets

(56)

References Cited

U.S. PATENT DOCUMENTS

2018/0033934	A1	2/2018	Matsuda et al.
2018/0182917	A1	6/2018	Kuramoto et al.
2018/0259137	A1	9/2018	Lee et al.
2019/0067536	A1	2/2019	Oka et al.
2019/0181074	A1	6/2019	Huang
2019/0028176	A1	9/2019	Lee et al.
2019/0386180	A1	12/2019	Hwang et al.

* cited by examiner

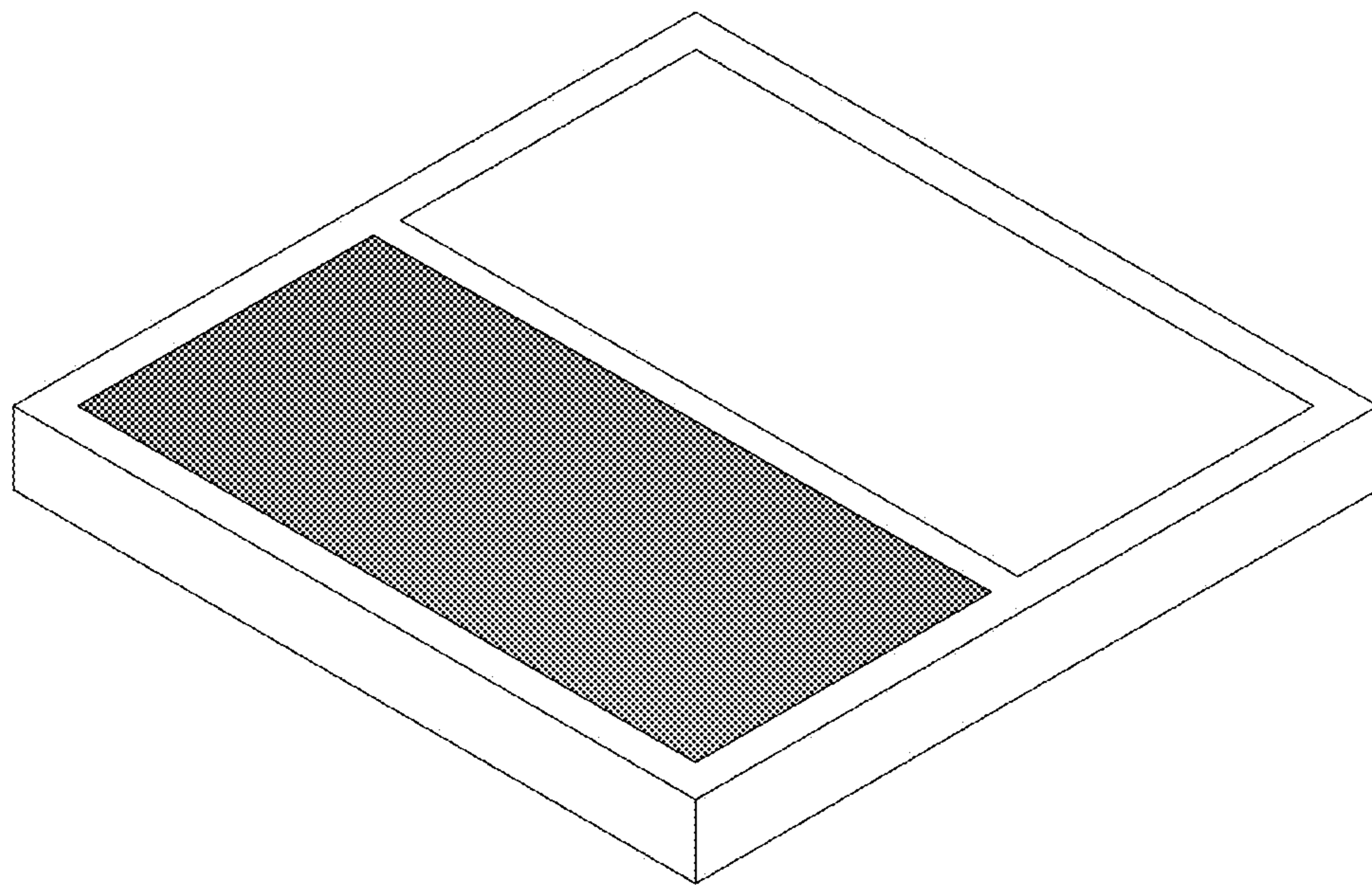


FIG. 1

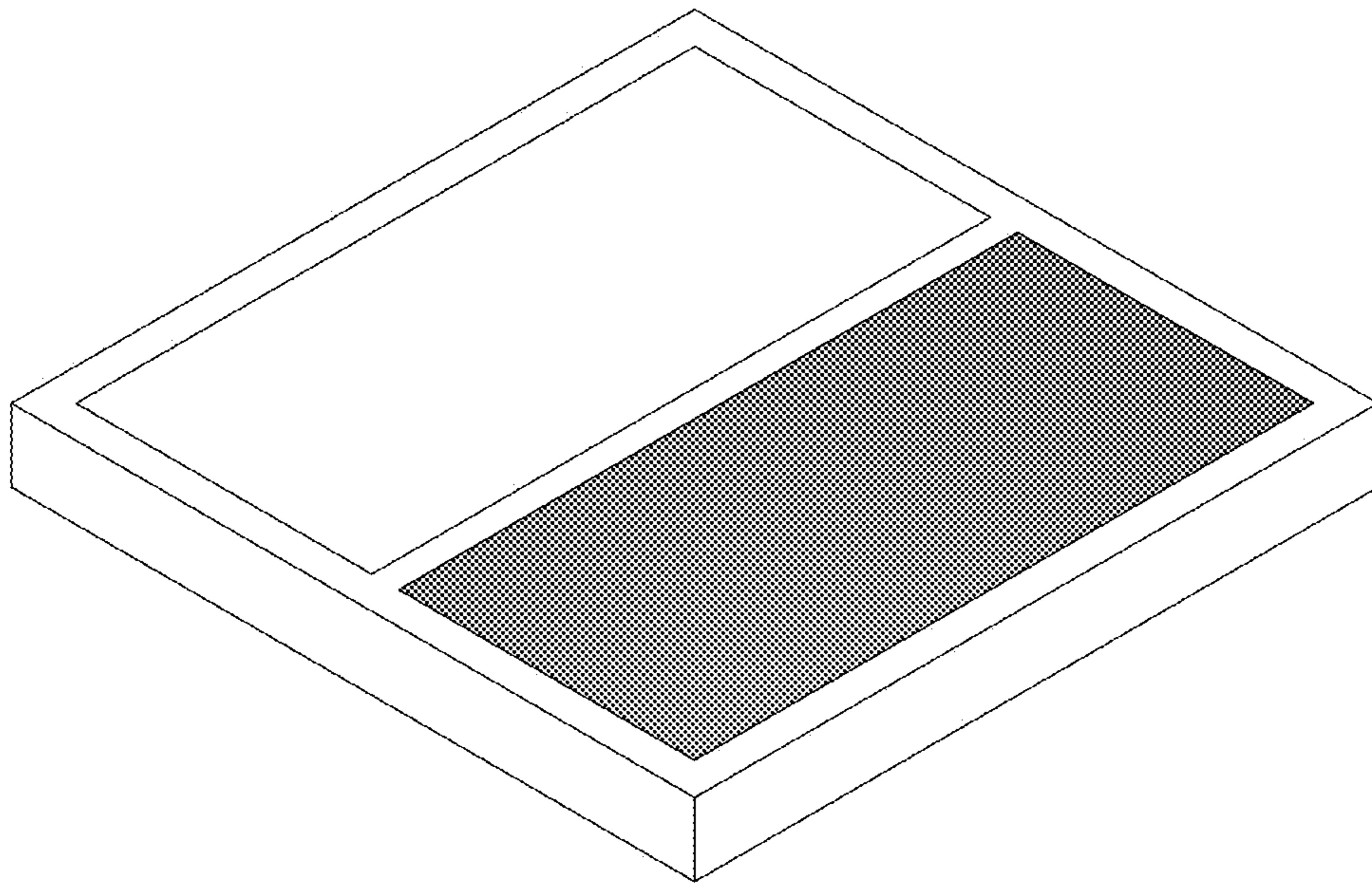


FIG. 2



FIG. 3

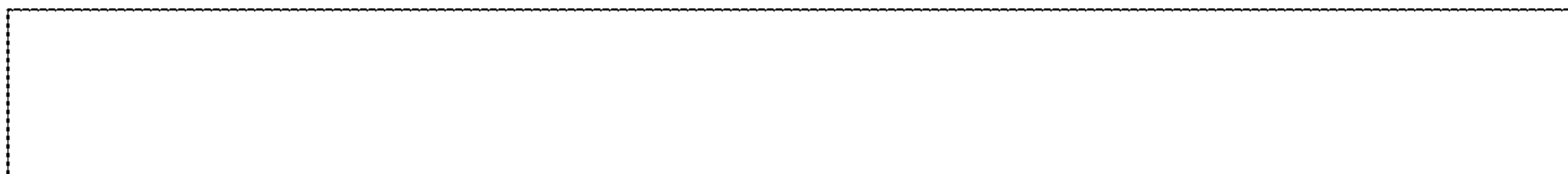


FIG. 4

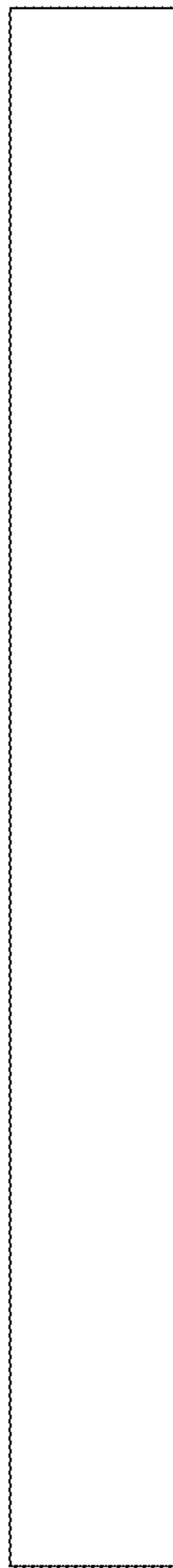


FIG. 5



FIG. 6

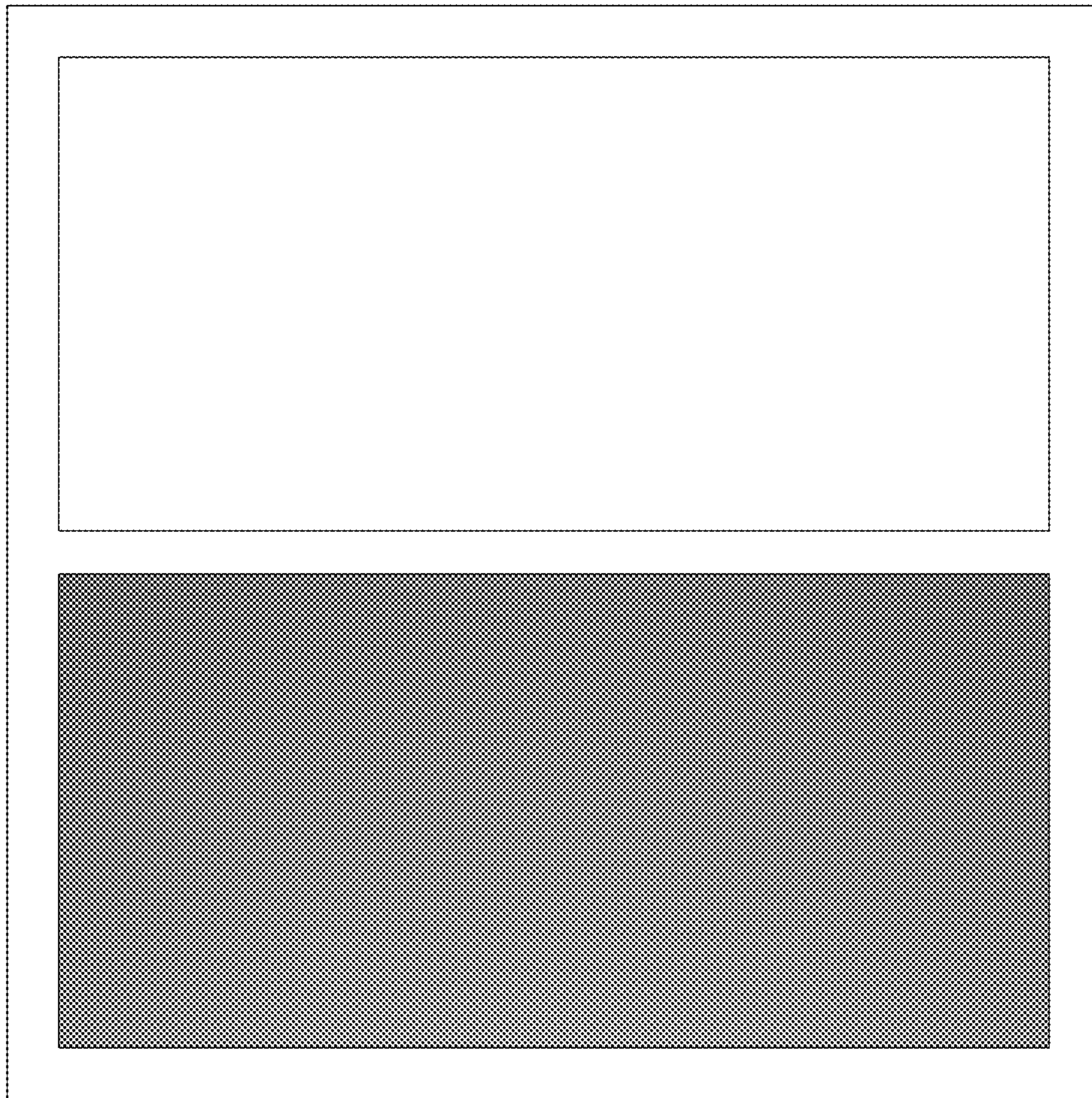


FIG. 7

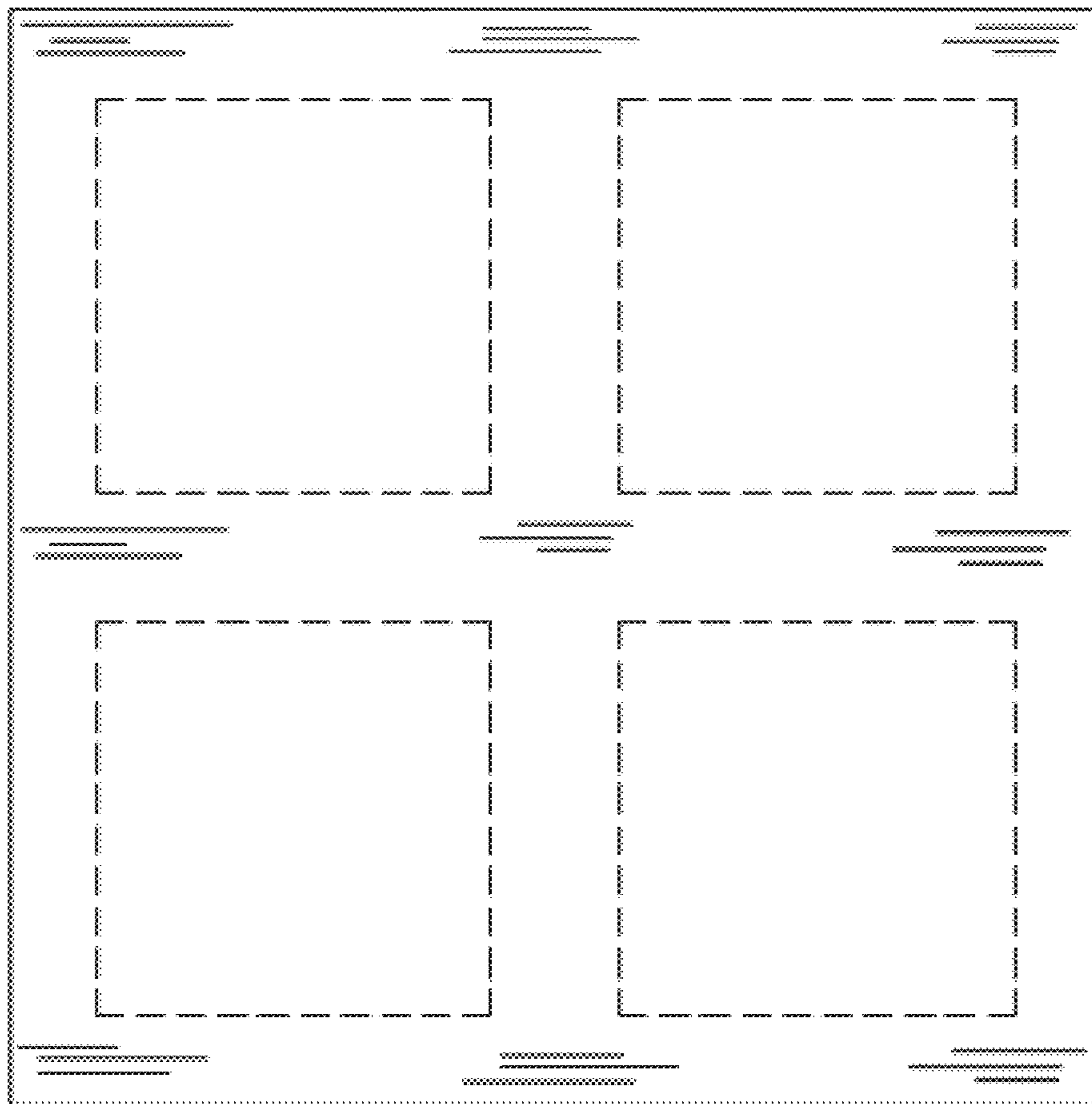


FIG. 8