



US00D975662S

(12) **United States Design Patent** (10) **Patent No.:** **US D975,662 S**  
**Dimberg et al.** (45) **Date of Patent:** **\*\* Jan. 17, 2023**

(54) **TABLE TOP REMOTE LOAD CONTROL DEVICE**

(71) Applicant: **Lutron Technology Company LLC**,  
Coopersburg, PA (US)

(72) Inventors: **Chris Lloyd Dimberg**, Easton, PA  
(US); **Elliot G. Jacoby**, Glenside, PA  
(US); **Jason C. Killo**, Emmaus, PA  
(US); **Brad Michael Kreschollek**,  
Bethlehem, PA (US); **Matthew Philip  
McDonald**, Phoenixville, PA (US)

(73) Assignee: **Lutron Technology Company LLC**,  
Coopersburg, PA (US)

(\*\*) Term: **15 Years**

(21) Appl. No.: **29/805,780**

(22) Filed: **Aug. 30, 2021**

**Related U.S. Application Data**

(60) Continuation of application No. 29/755,353, filed on  
Oct. 20, 2020, now Pat. No. Des. 929,350, which is a  
(Continued)

(51) **LOC (14) Cl.** ..... **14-03**

(52) **U.S. Cl.**  
USPC ..... **D13/168**

(58) **Field of Classification Search**  
USPC ..... D13/162, 164, 168, 171  
(Continued)

(56) **References Cited**

**U.S. PATENT DOCUMENTS**

4,199,883 A 4/1980 Cross  
D259,184 S 5/1981 Francis et al.  
(Continued)

**FOREIGN PATENT DOCUMENTS**

CA 123790 6/2009

**OTHER PUBLICATIONS**

Smarthomebus Dynamic Display Panel, SB-G4 Data Sheet Rev 1.0  
released Sep. 2011; 2 pgs; <http://www.smarthomebus.com/smart-homebus-dynamic-display-panel-ddp-%20sb-ddp-eu-upc-610696254030-ean-0610696254030-black.html>.\*

(Continued)

*Primary Examiner* — Selina Sikder  
(74) *Attorney, Agent, or Firm* — Saidman DesignLaw  
Group, LLC

(57) **CLAIM**

We claim the ornamental design for a tabletop remote load control device, as shown and described.

**DESCRIPTION**

FIG. 1 is a perspective view of a tabletop remote load control device according to a first embodiment of our new design. FIG. 2 is a top view thereof.

FIG. 3 is a left side view thereof.

FIG. 4 is a right side view thereof.

FIG. 5 is a front view thereof.

FIG. 6 is a rear view thereof.

The bottom view of the first embodiment forms no part of the design and is omitted.

FIG. 7 is a perspective view of a tabletop remote load control device according to a second embodiment of our new design.

FIG. 8 is a top view thereof.

FIG. 9 is a left side view thereof.

FIG. 10 is a right side view thereof.

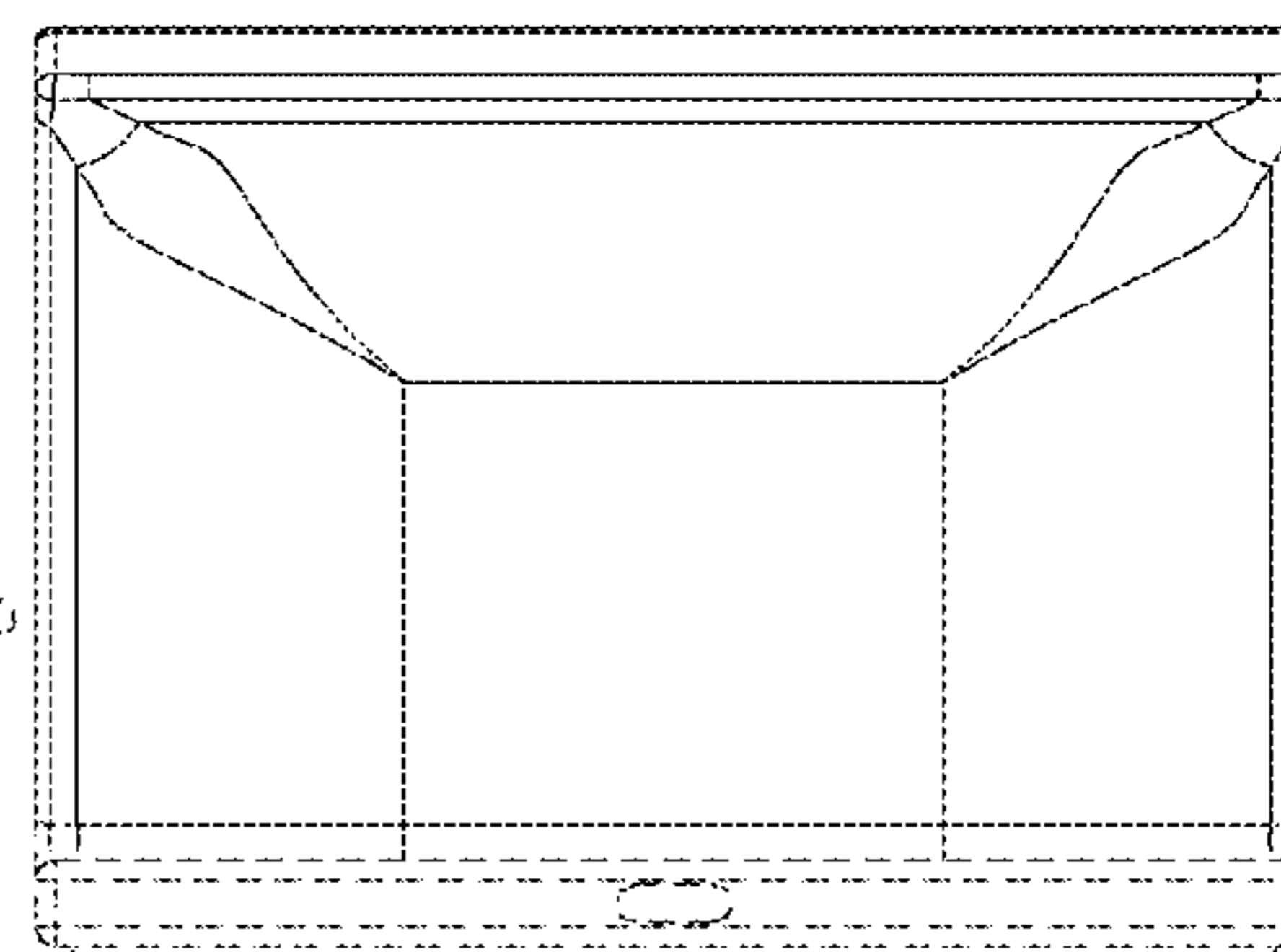
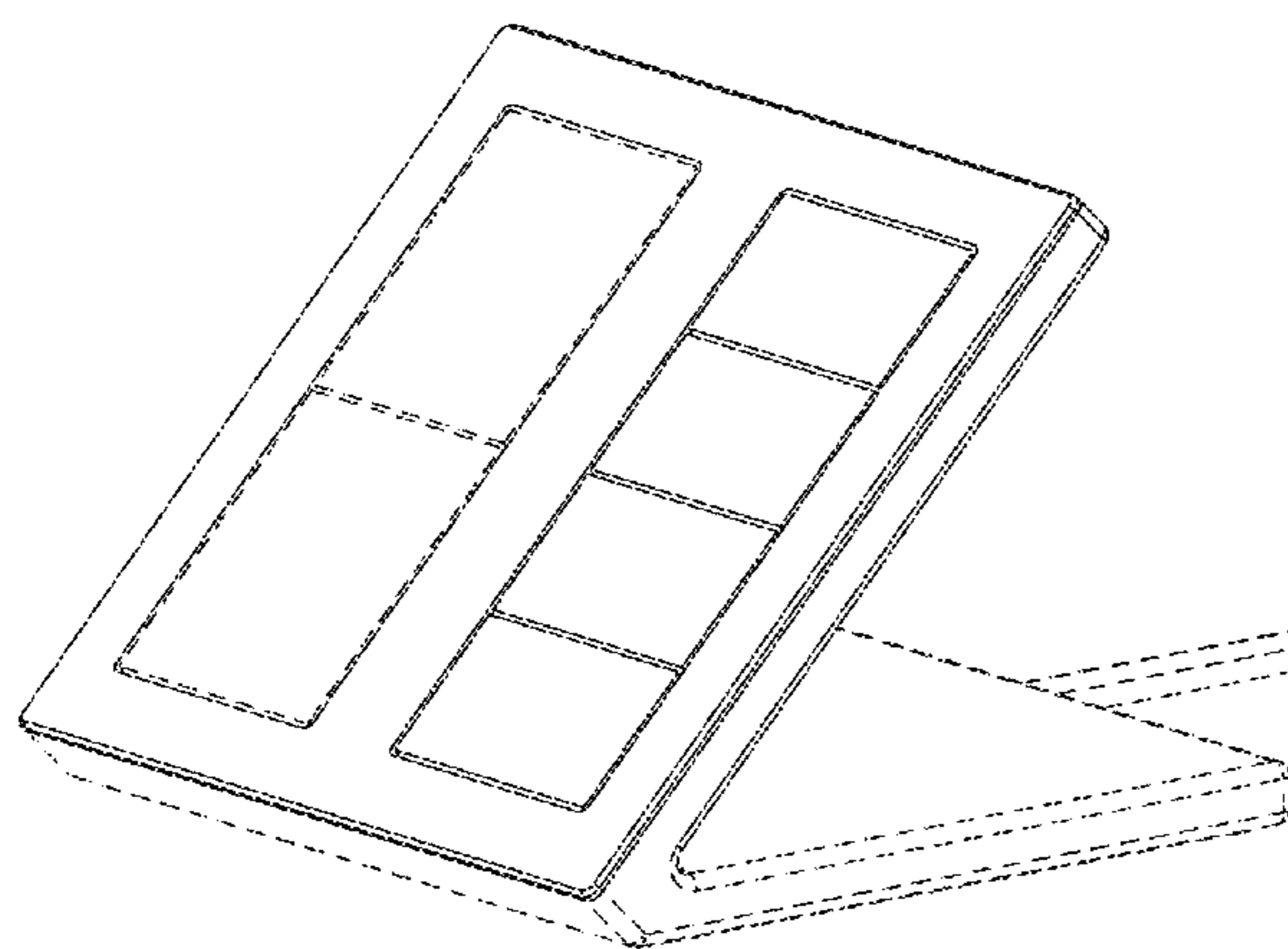
FIG. 11 is a front view thereof; and,

FIG. 12 is a rear view thereof.

The bottom view of the second embodiment forms no part of the design and is omitted.

The broken lines showing portions of the tabletop remote load control device are for the purpose of illustrating environmental structure and form no part of the claimed design.

**1 Claim, 8 Drawing Sheets**



**Related U.S. Application Data**

continuation of application No. 29/713,901, filed on Nov. 19, 2019, now Pat. No. Des. 899,383, which is a continuation of application No. 29/609,978, filed on Jul. 7, 2017, now Pat. No. Des. 867,308, which is a continuation of application No. 29/575,110, filed on Aug. 22, 2016, now Pat. No. Des. 795,202, which is a division of application No. 29/512,028, filed on Dec. 16, 2014, now Pat. No. Des. 767,508.

(58) **Field of Classification Search**

CPC .. H01H 9/02; H01H 9/16; H01H 9/18; H01H 9/181; H01H 9/182; H01H 23/02; H01H 23/025; H01H 23/04; H01H 23/08; H01H 23/12; H01H 23/14; H01H 23/145; H01H 13/023; H01H 13/04; H01H 13/06; H01H 2009/187; H05B 39/02; H05B 39/04; H05B 39/085; H05B 39/086; H05B 39/088; G08C 17/02

See application file for complete search history.

(56) **References Cited**

U.S. PATENT DOCUMENTS

4,496,127 A 1/1985 Nelson  
 D278,109 S 3/1985 Leeds  
 D329,609 S 9/1992 Wolff  
 D348,481 S 7/1994 Grant  
 D367,647 S 3/1996 Faggard et al.  
 D370,355 S 6/1996 Kenney  
 5,876,106 A 3/1999 Kordecki  
 D416,284 S 11/1999 O'Malley  
 6,120,262 A 9/2000 McDonough et al.  
 D440,542 S 4/2001 Hawkins et al.  
 D450,043 S 11/2001 Mosebrook  
 D496,335 S 9/2004 Spira  
 D511,110 S 11/2005 Rodela  
 D537,046 S 2/2007 Blair et al.  
 7,312,695 B2 12/2007 Lehmer et al.  
 D559,559 S 1/2008 Butcher  
 D576,564 S 9/2008 Hewson et al.  
 D622,078 S 8/2010 Stukenberg  
 D626,092 S 10/2010 Clymer et al.  
 D627,307 S 11/2010 Petrillo et al.  
 D631,855 S 2/2011 Blair et al.  
 D633,874 S 3/2011 Feldstein et al.  
 D636,739 S 4/2011 Petrillo et al.

D641,175 S 7/2011 Tang  
 D647,066 S 10/2011 Jacoby et al.  
 D649,123 S 11/2011 Jacoby et al.  
 D658,594 S 5/2012 Felegy, Jr. et al.  
 D661,266 S 6/2012 Laube et al.  
 D666,619 S 9/2012 May  
 D669,038 S 10/2012 Felegy, Jr. et al.  
 8,469,204 B1 6/2013 Bradshaw  
 D691,818 S 10/2013 Shibata et al.  
 D694,197 S 11/2013 Felegy, Jr. et al.  
 D694,716 S 12/2013 Felegy, Jr. et al.  
 D704,151 S 5/2014 Jacoby et al.  
 D712,867 S 9/2014 Vats  
 D718,724 S 12/2014 Clymer et al.  
 D733,076 S \* 6/2015 Jacoby ..... D13/164  
 D733,667 S 7/2015 Jacoby et al.  
 D734,277 S \* 7/2015 Jacoby ..... D13/164  
 D749,564 S 2/2016 Cho et al.  
 D760,214 S 6/2016 Kemper  
 D767,508 S 9/2016 Dimberg et al.  
 D767,513 S \* 9/2016 Jacoby ..... D13/164  
 D768,582 S \* 10/2016 Jacoby ..... D13/164  
 D774,485 S 12/2016 Kano et al.  
 D794,580 S 8/2017 Dimberg et al.  
 D795,202 S \* 8/2017 Dimberg ..... D13/168  
 D803,793 S \* 11/2017 Jacoby ..... D13/164  
 D867,308 S 11/2019 Dimberg et al.  
 D873,781 S 1/2020 You et al.  
 D899,383 S \* 10/2020 Dimberg ..... D13/168  
 D929,350 S \* 8/2021 Dimberg ..... D13/168  
 2002/0135974 A1 9/2002 Bell et al.  
 2009/0251352 A1 \* 10/2009 Altonen ..... H01H 9/02  
 341/176  
 2012/0013450 A1 1/2012 Lee et al.

OTHER PUBLICATIONS

Smarthomebus 3 Button Switch Panel—SB-3BS=EU; released Sep. 2011; 2 pgs;<http://www.smarthomebus.com/Smart-Bus-3-Button-Switch-Wall-Panel-SB-3BS-EU-GTIN-UPC-EAN-0610696254283.html>.  
 Smart Home G4 Smart-Bus 6 Button Switch Wall Panel—SBS-EU GTIN.(UPC-EAN):0610696254269; Dec. 30, 2011; 14 pgs.\*  
 Lutron Electronics Co., Inc., Stanza Hotel Guestroom Light Control Brochure, Feb. 20, 2008, 12 pages.  
 Vantage Controls Inc., Vantage Online Binder, 2004, pp. 1, 3-4,7, 33-34, 113.  
 U.S. Appl. No. 29/575,107, filed Aug. 22, 2016 (unpublished).

\* cited by examiner

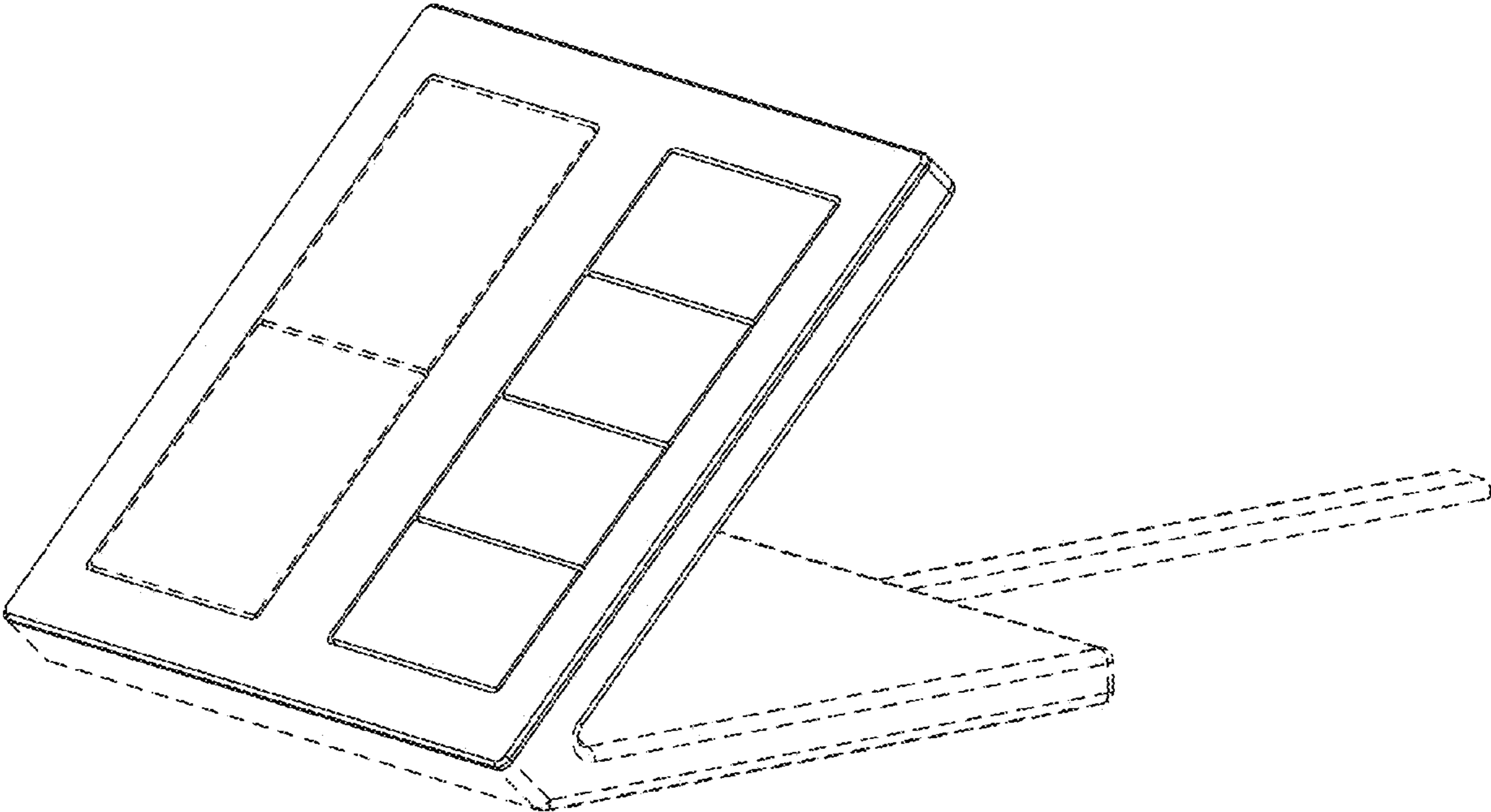


Fig. 1

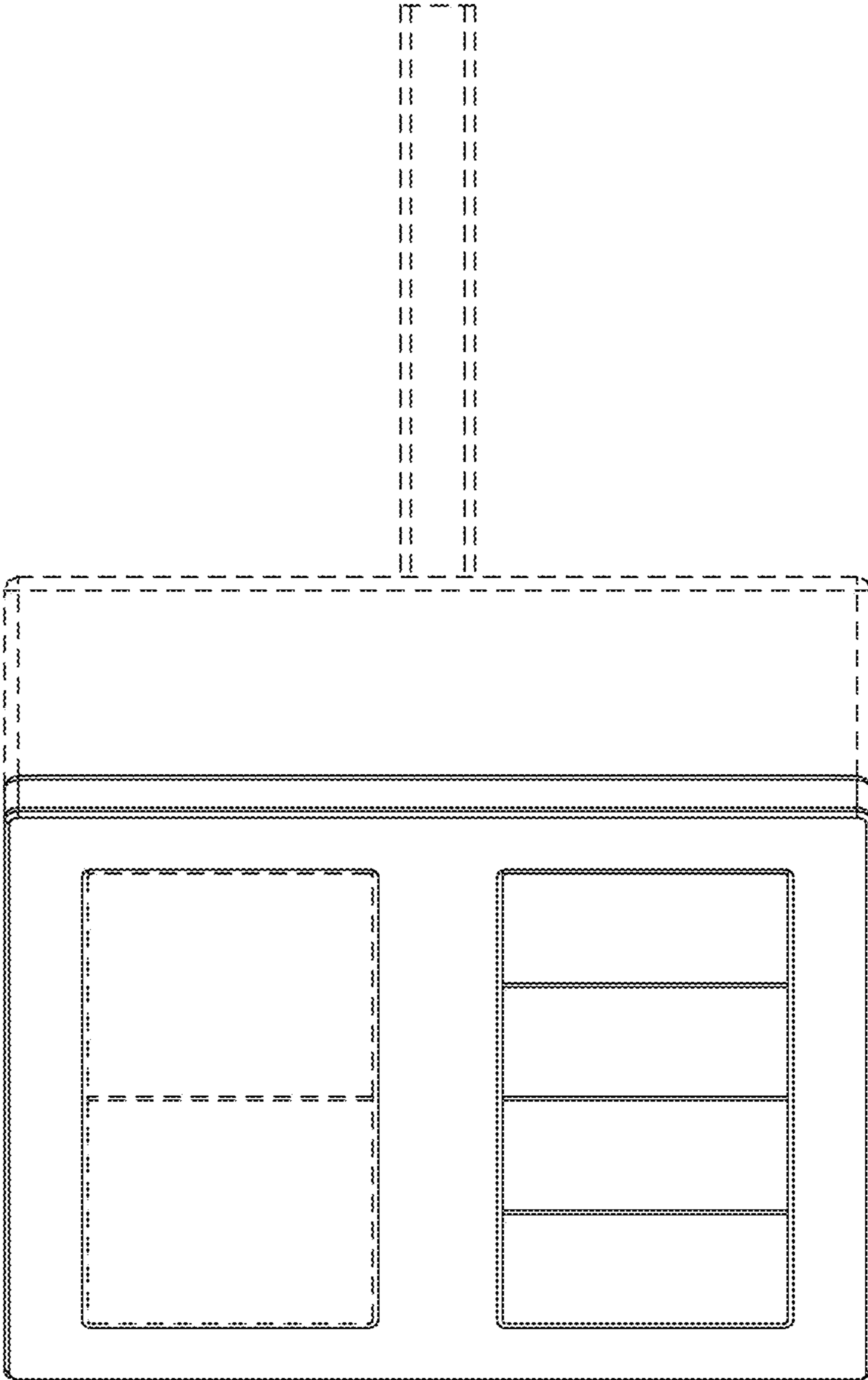


Fig. 2

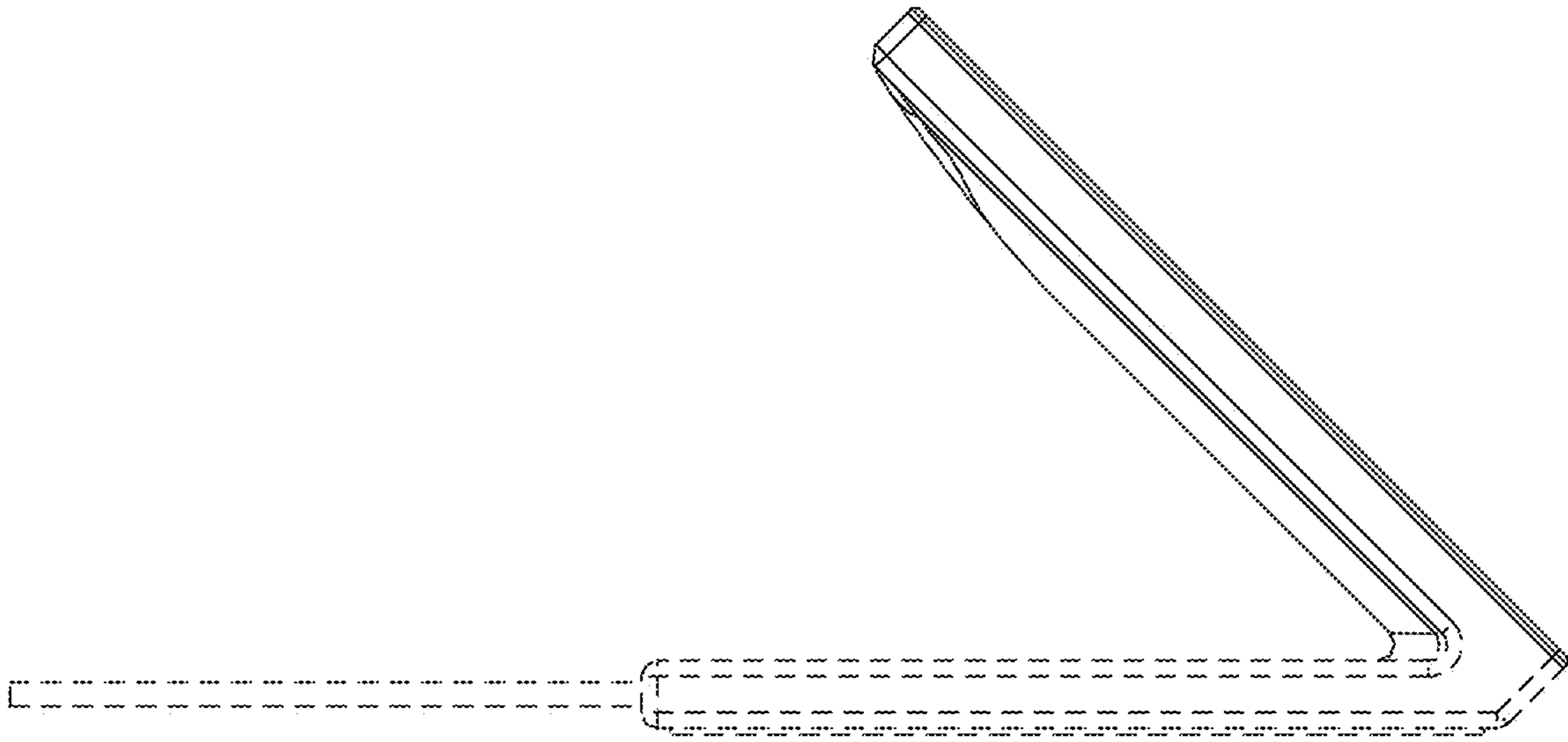


Fig. 3

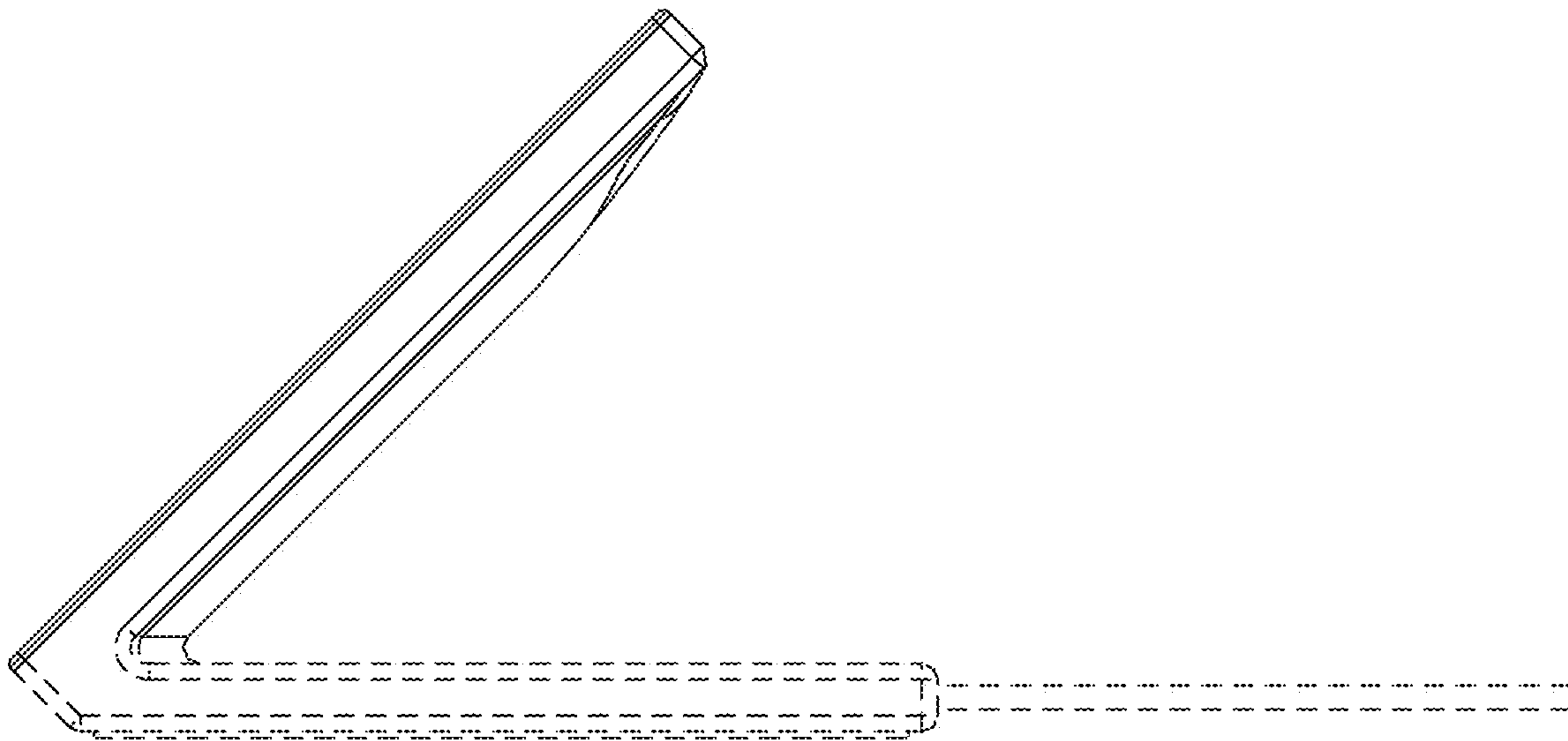


Fig. 4

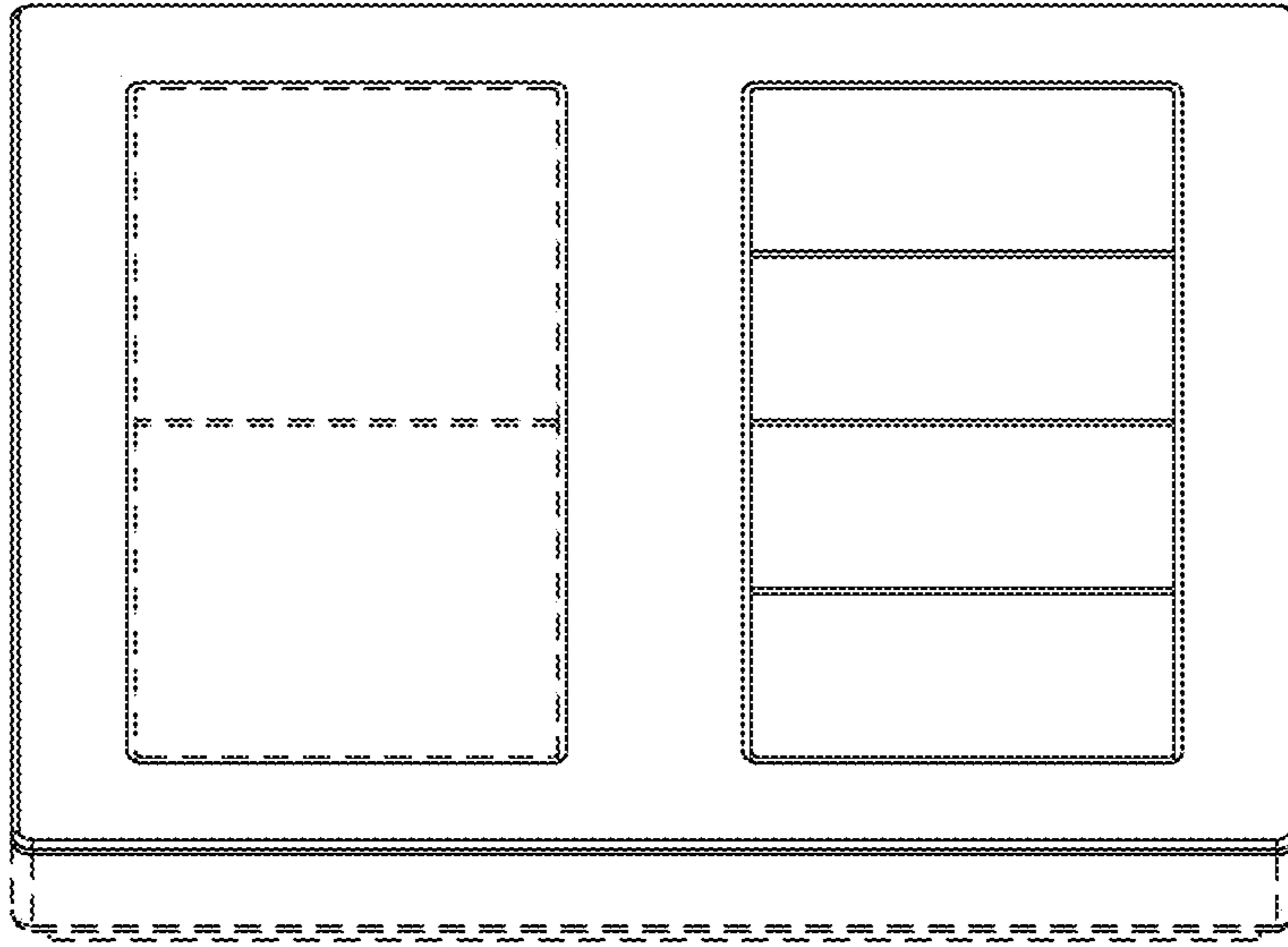


Fig. 5

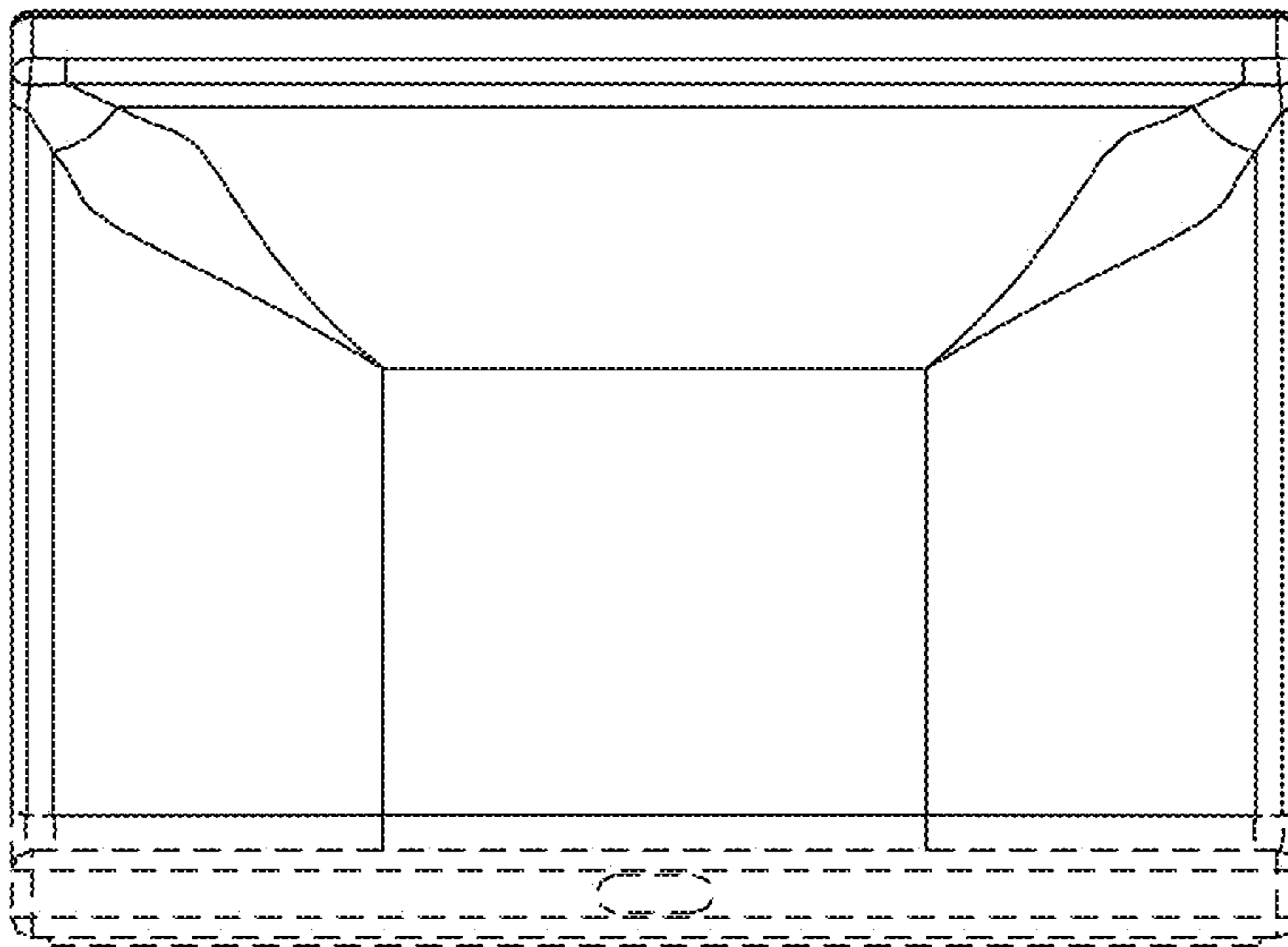


Fig. 6

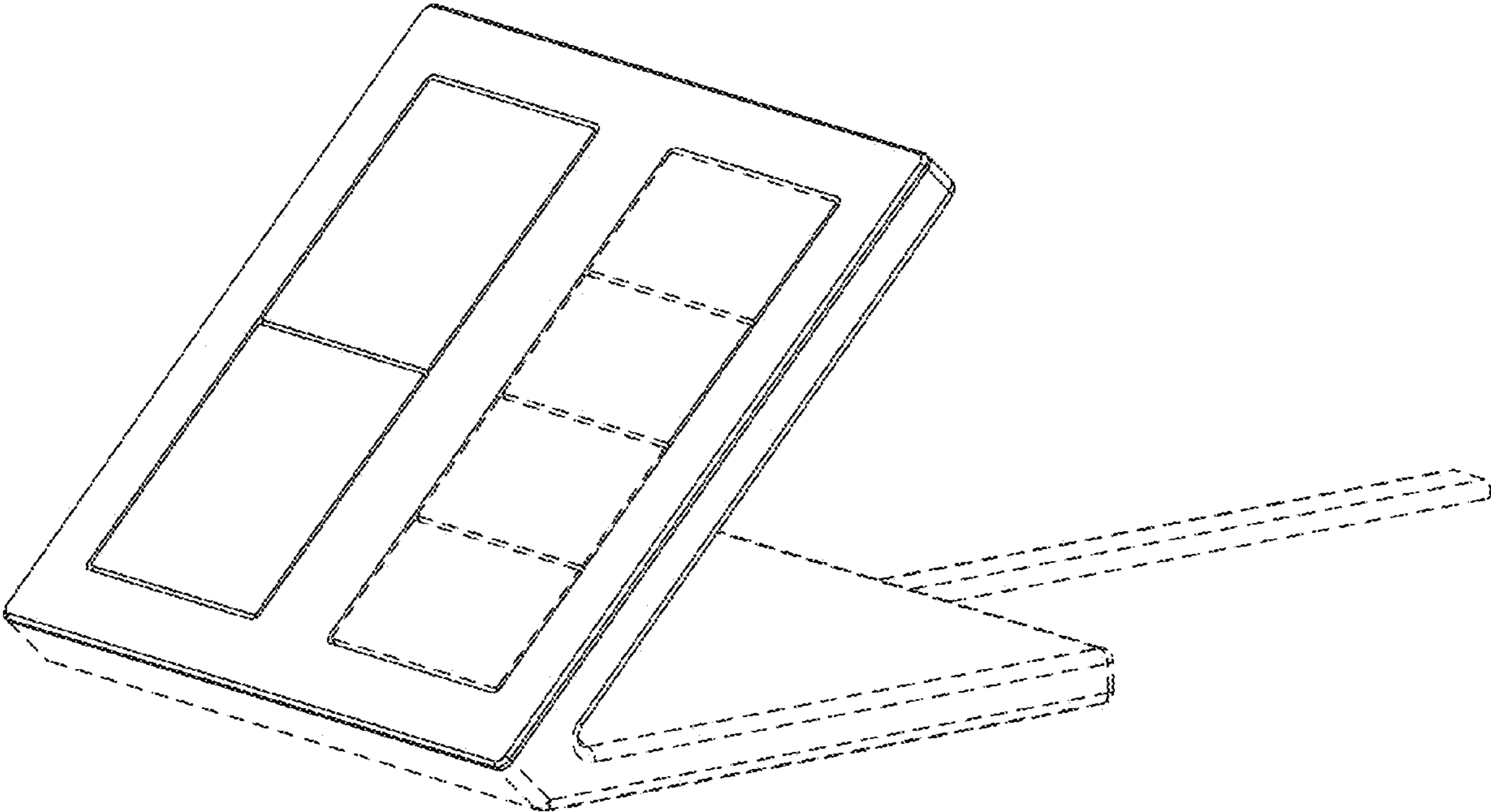


Fig. 7

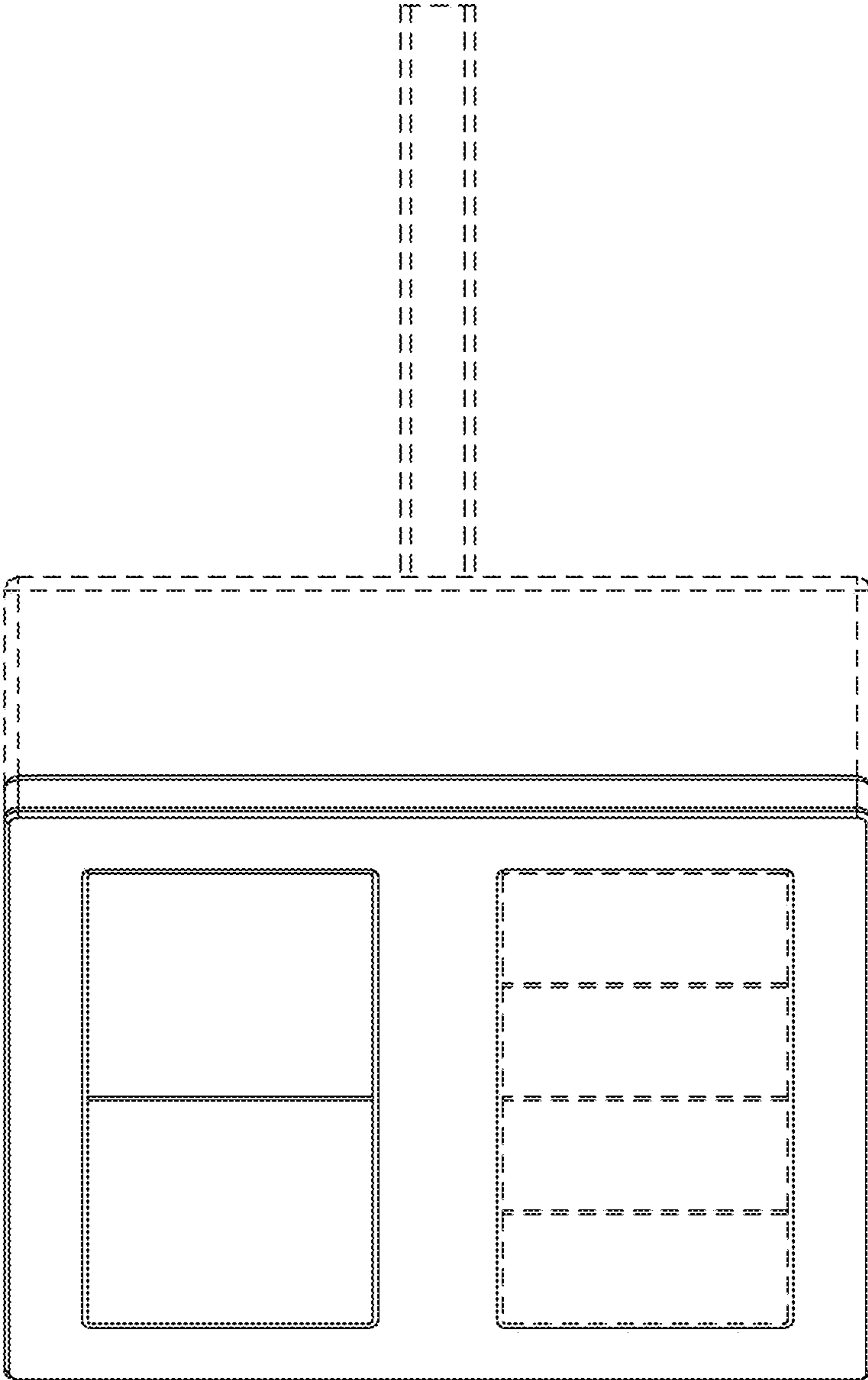


Fig. 8



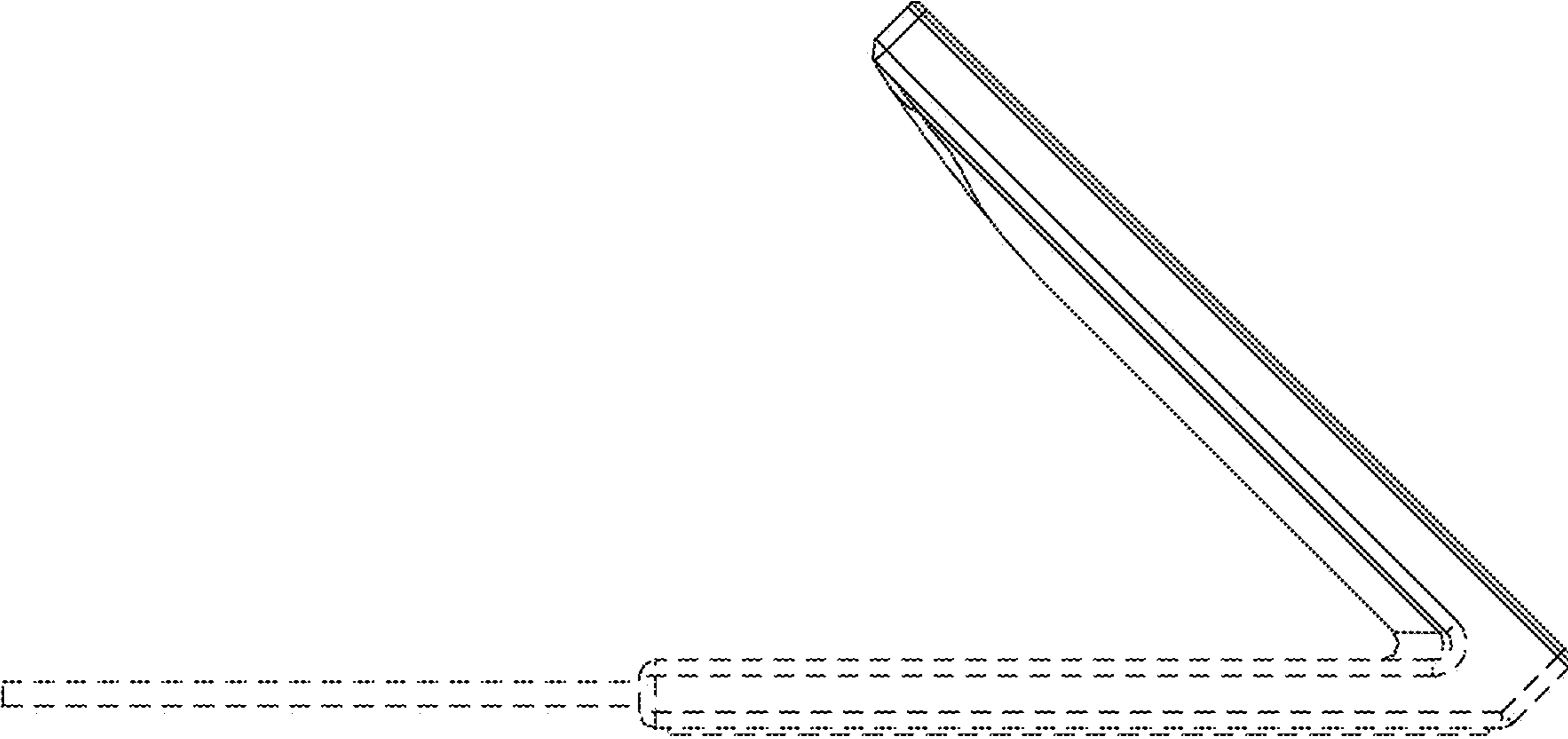


Fig. 9

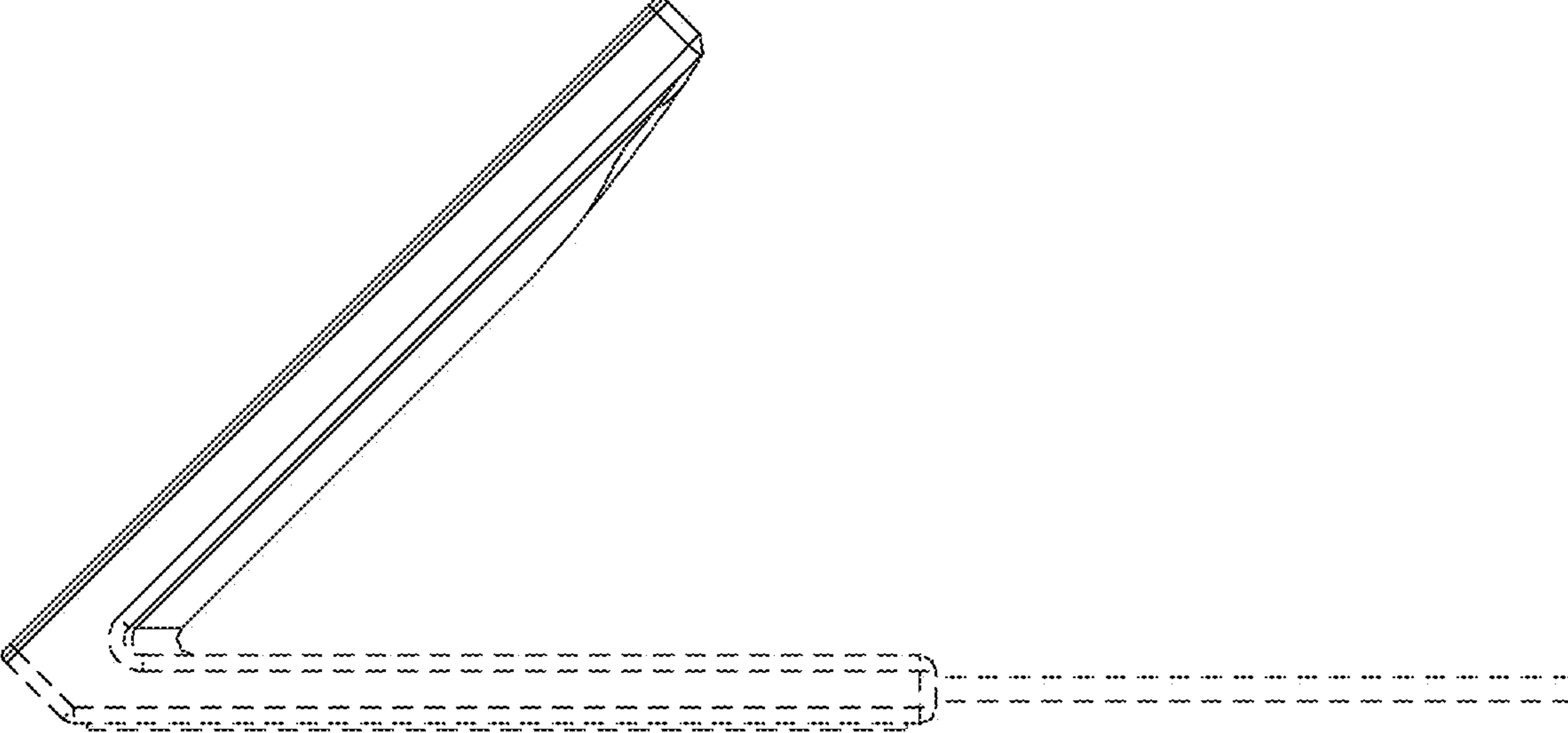


Fig. 10

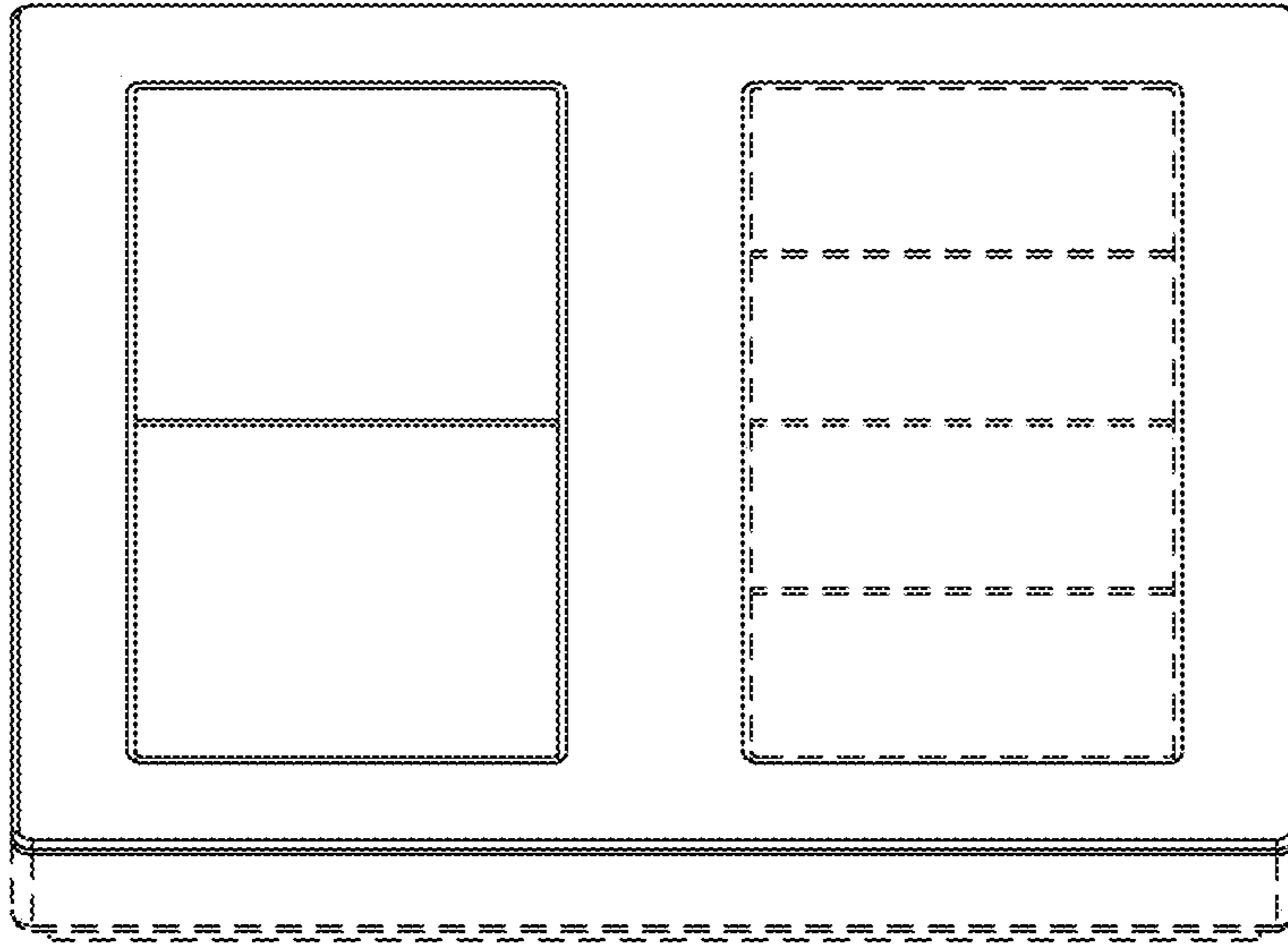


Fig. 11

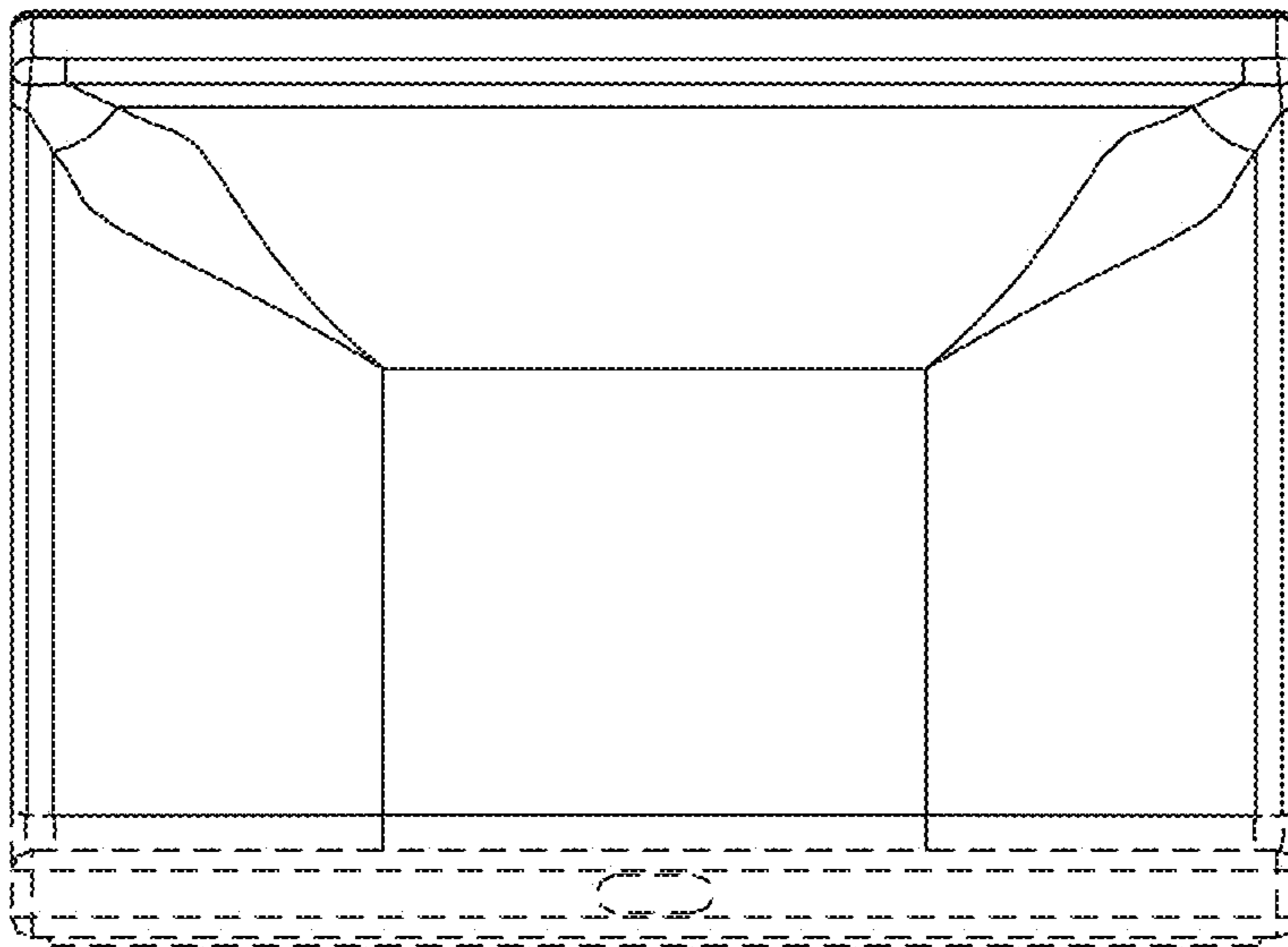


Fig. 12

UNITED STATES PATENT AND TRADEMARK OFFICE  
**CERTIFICATE OF CORRECTION**

PATENT NO. : D975,662 S  
APPLICATION NO. : 29/805780  
DATED : January 17, 2023  
INVENTOR(S) : Chris Lloyd Dimberg et al.

Page 1 of 1

It is certified that error appears in the above-identified patent and that said Letters Patent is hereby corrected as shown below:

On the Title Page

Item (54) Column 1 Line 1:

~~-TABLE TOP REMOTE LOAD CONTROL DEVICE-~~

Should read:

~~--TABLETOP REMOTE LOAD CONTROL DEVICE--~~

Item (57) DESCRIPTION Column 2 Line 20:

~~-tines-~~

Should read:

~~--lines--~~

Signed and Sealed this  
Sixteenth Day of May, 2023  
*Katherine Kelly Vidal*

Katherine Kelly Vidal  
*Director of the United States Patent and Trademark Office*