



US00D975660S

(12) **United States Design Patent**  
**Peng et al.**

(10) **Patent No.:** **US D975,660 S**  
(45) **Date of Patent:** **\*\* Jan. 17, 2023**

(54) **INTELLIGENT KEY OF VEHICLE**  
(71) Applicant: **AUTEL INTELLIGENT TECHNOLOGY CORP., LTD.,**  
Guangdong (CN)  
(72) Inventors: **Anliang Peng, Guangdong (CN);**  
**Yuelong Liao, Guangdong (CN)**  
(73) Assignee: **AUTEL INTELLIGENT TECHNOLOGY CORP., LTD.,**  
Guangdong (CN)

D899,382 S \* 10/2020 Dong ..... D13/168  
D915,865 S \* 4/2021 Choi ..... D13/136  
D944,217 S \* 2/2022 Lu ..... D13/168  
D952,581 S \* 5/2022 Wang ..... D13/168  
D953,297 S \* 5/2022 Kiyotani ..... D14/218  
D956,701 S \* 7/2022 Wang ..... D13/168  
2010/0102927 A1 \* 4/2010 Monig ..... E05B 19/04  
340/5.64  
2012/0140391 A1 \* 6/2012 Nickel ..... E05B 19/043  
361/679.01  
2016/0278229 A1 \* 9/2016 Saito ..... H05K 7/1427  
2018/0174387 A1 \* 6/2018 Lee ..... G07C 9/00309

(\*\*) Term: **15 Years**

(21) Appl. No.: **29/796,954**

(22) Filed: **Jun. 28, 2021**

(30) **Foreign Application Priority Data**

Dec. 29, 2020 (CN) ..... 202030815676.2

(51) **LOC (14) Cl.** ..... **14-03**

(52) **U.S. Cl.**  
USPC ..... **D13/168**

(58) **Field of Classification Search**  
USPC ..... D13/168; D14/218; D3/207; D8/347  
CPC .... H01H 9/02; H01H 9/0214; B60R 2225/00;  
B60R 25/00; B60R 25/104; G07C  
9/00944; E05B 19/00; E05B 19/0023;  
E05B 19/0082; E05B 19/04; E05B  
19/043; A44B 15/005; Y10T 70/8676  
See application file for complete search history.

(56) **References Cited**

**U.S. PATENT DOCUMENTS**

D528,511 S \* 9/2006 Li ..... D13/168  
D712,380 S \* 9/2014 Hwang ..... D14/218  
8,866,639 B2 \* 10/2014 Kleindienst ..... G07C 9/00944  
70/408  
D844,574 S \* 4/2019 Kandler ..... D13/168  
D881,253 S \* 4/2020 Tang ..... D16/208

**FOREIGN PATENT DOCUMENTS**

CN 202130828546.7 \* 12/2021

**OTHER PUBLICATIONS**

AliExpress.com;Car Keyless Smart Remote Key 433mhz With Id47  
Chip; retrieved on Nov. 9, 2022; 1 pg.\*  
AliExpress, Car Smart Remote Key 433Mhz 4A Chip for Infiniti;  
retrieved on Nov. 9, 2022; 1 pg.\*

\* cited by examiner

*Primary Examiner* — Selina Sikder

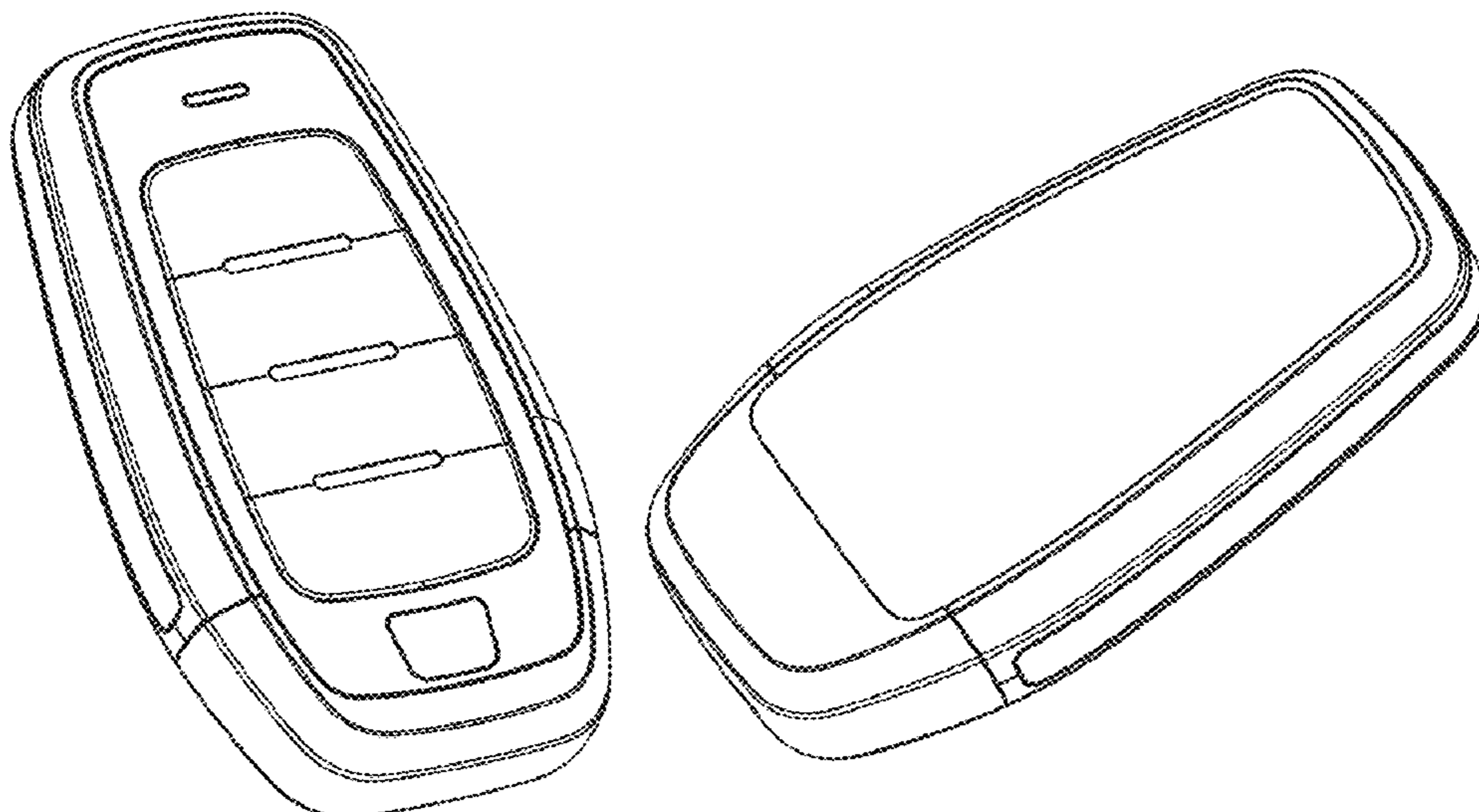
(57) **CLAIM**

We claim the ornamental design for an intelligent key of  
vehicle, as shown and described.

**DESCRIPTION**

FIG. 1 is a front elevational view of an intelligent key of  
vehicle showing our new design;  
FIG. 2 is a back elevational view thereof;  
FIG. 3 is a left side elevational view thereof;  
FIG. 4 is a right side elevational view thereof;  
FIG. 5 is a top plan view thereof;  
FIG. 6 is a bottom plan view thereof;  
FIG. 7 is a first perspective view thereof; and,  
FIG. 8 is a second perspective view thereof.

**1 Claim, 4 Drawing Sheets**



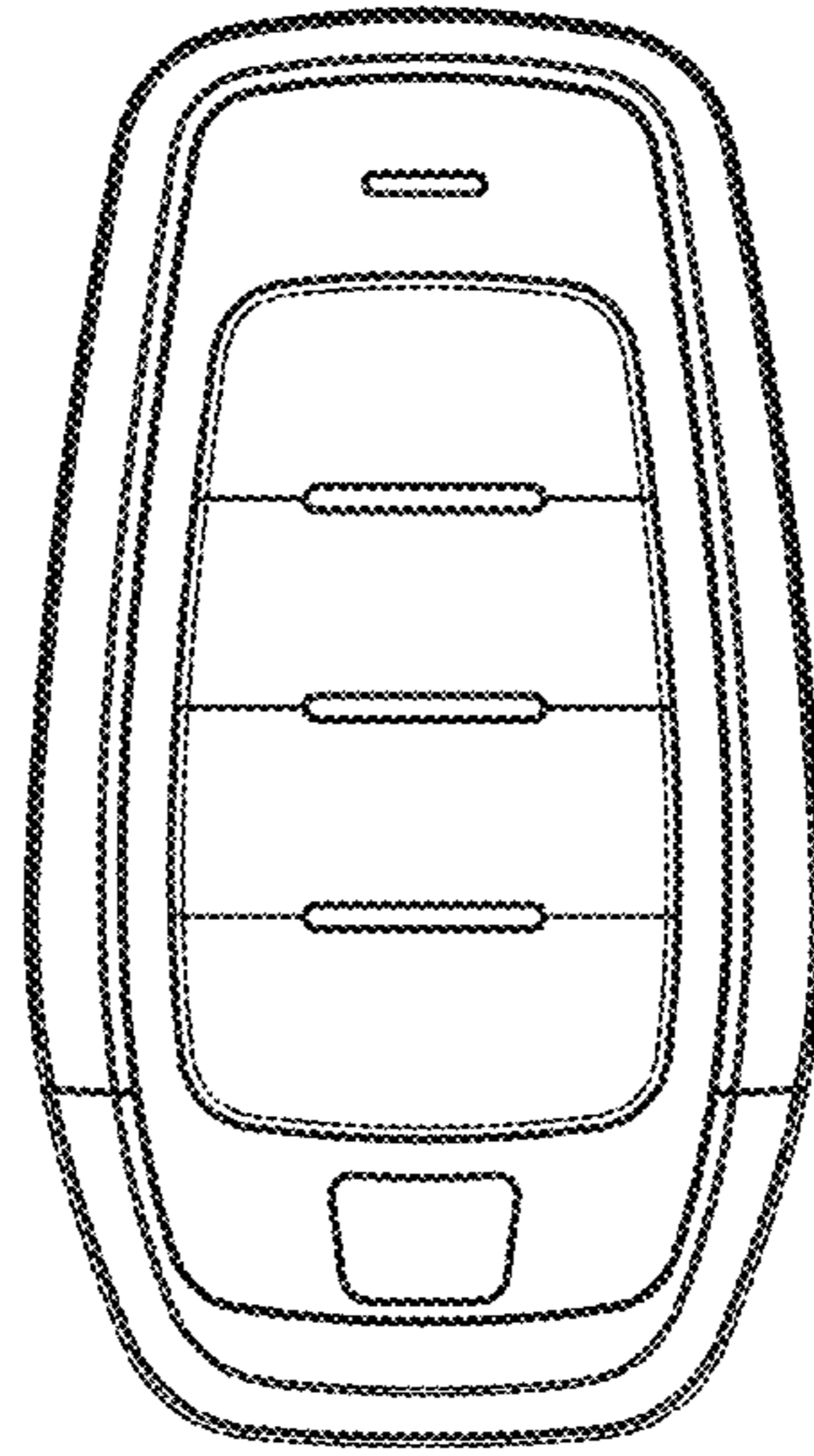


FIG. 1

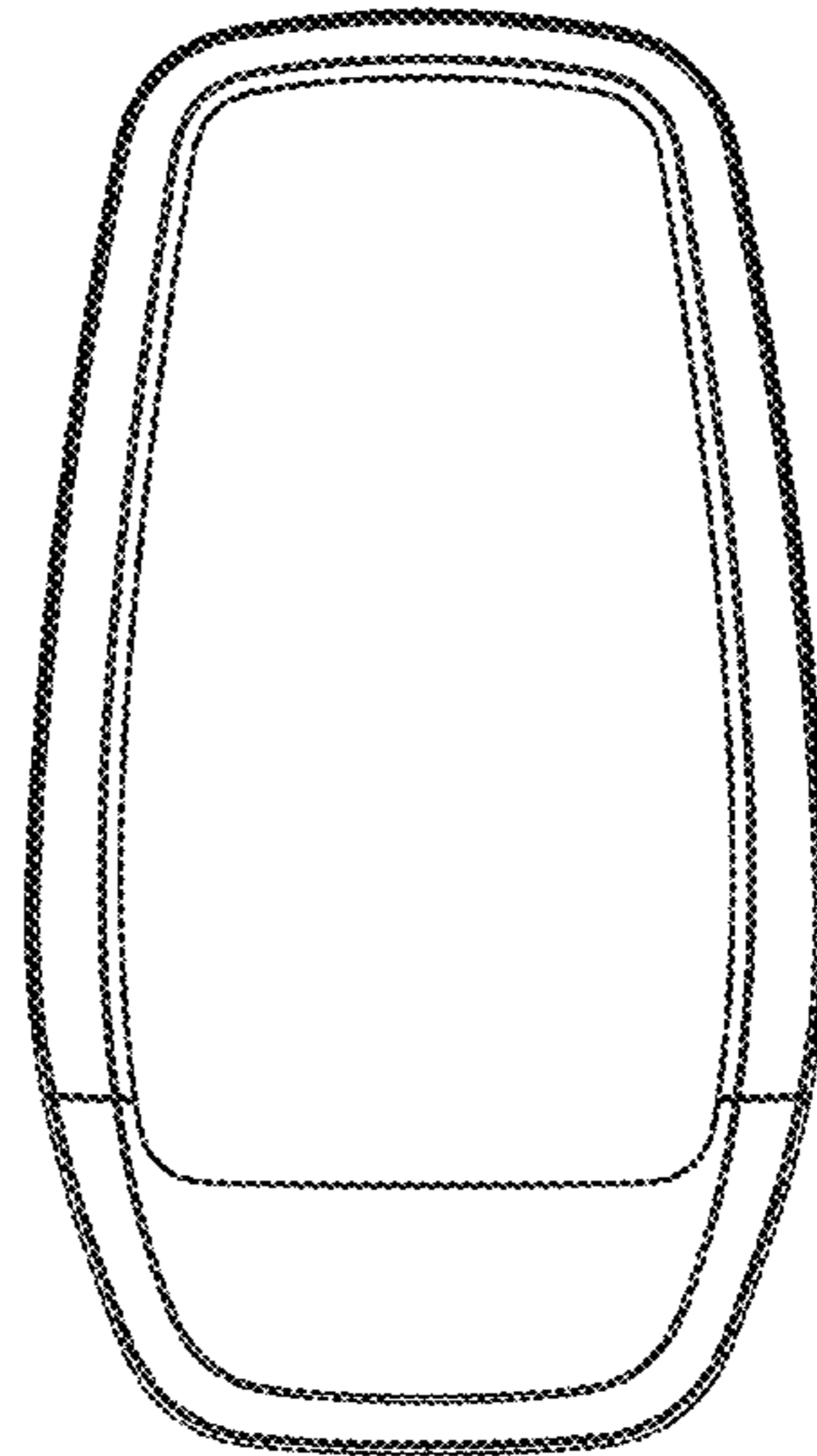


FIG. 2

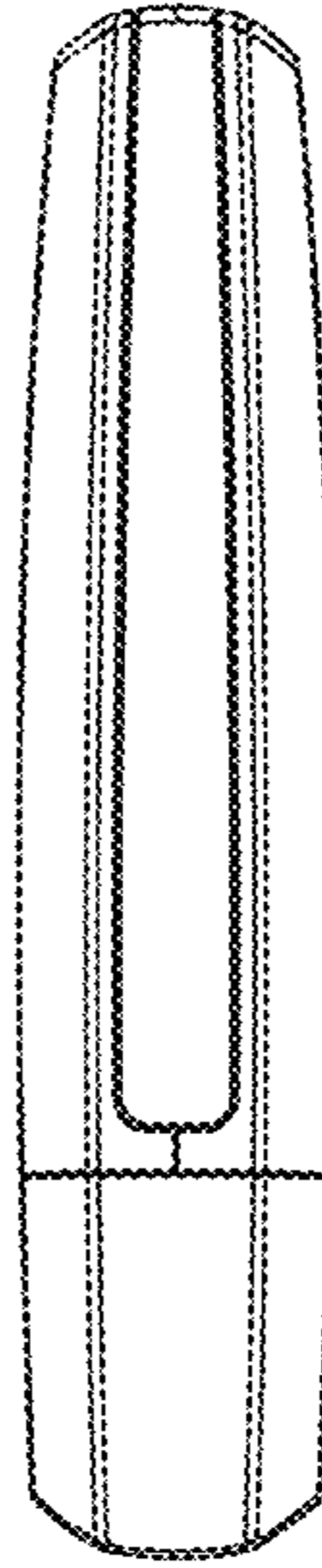


FIG.3

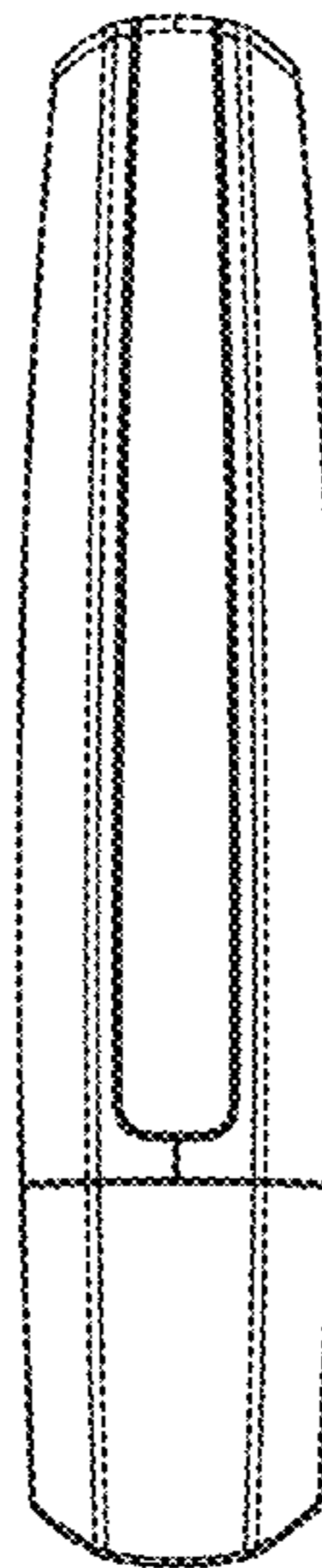


FIG.4

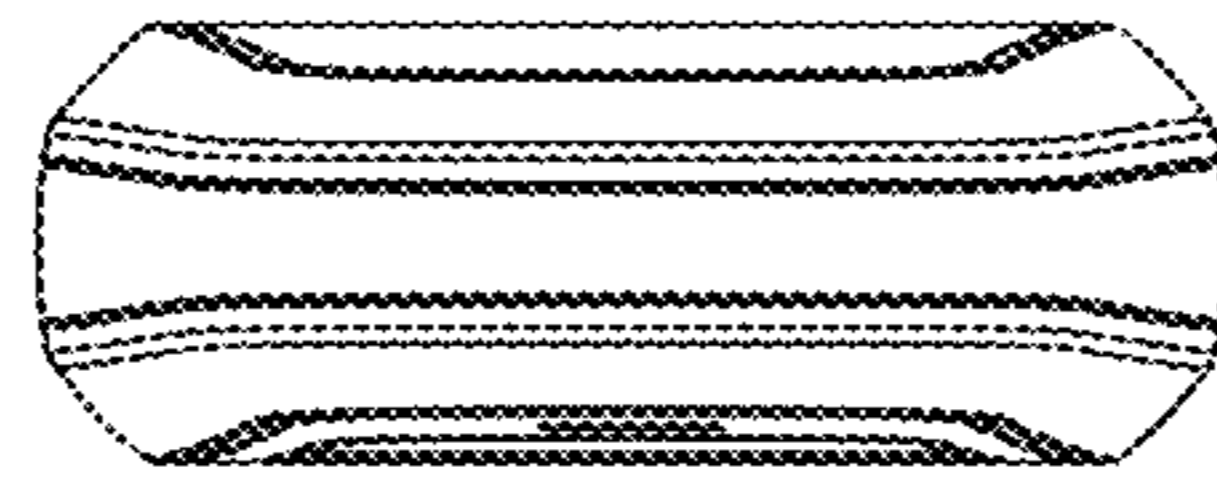


FIG. 5

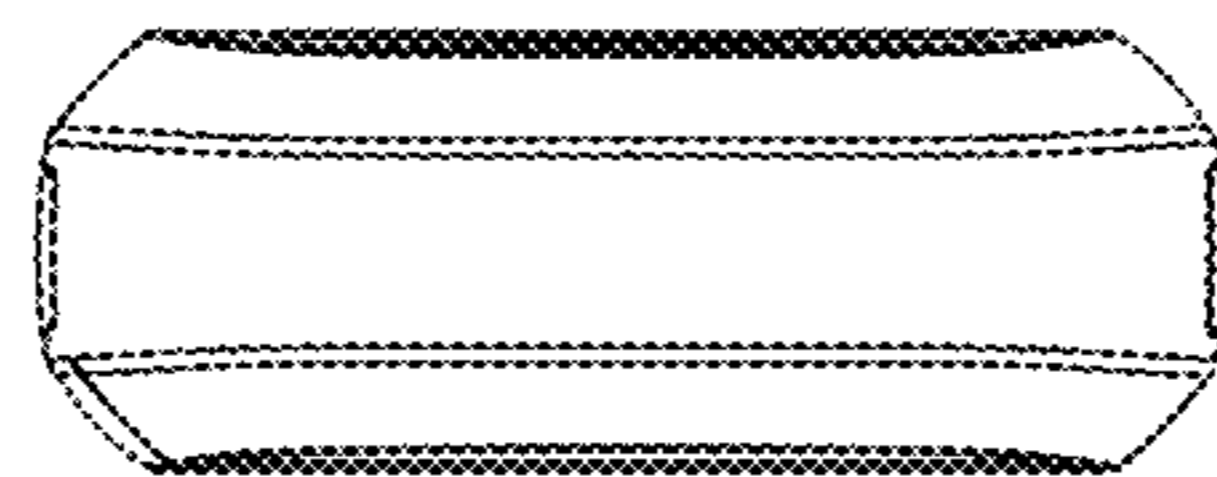


FIG. 6

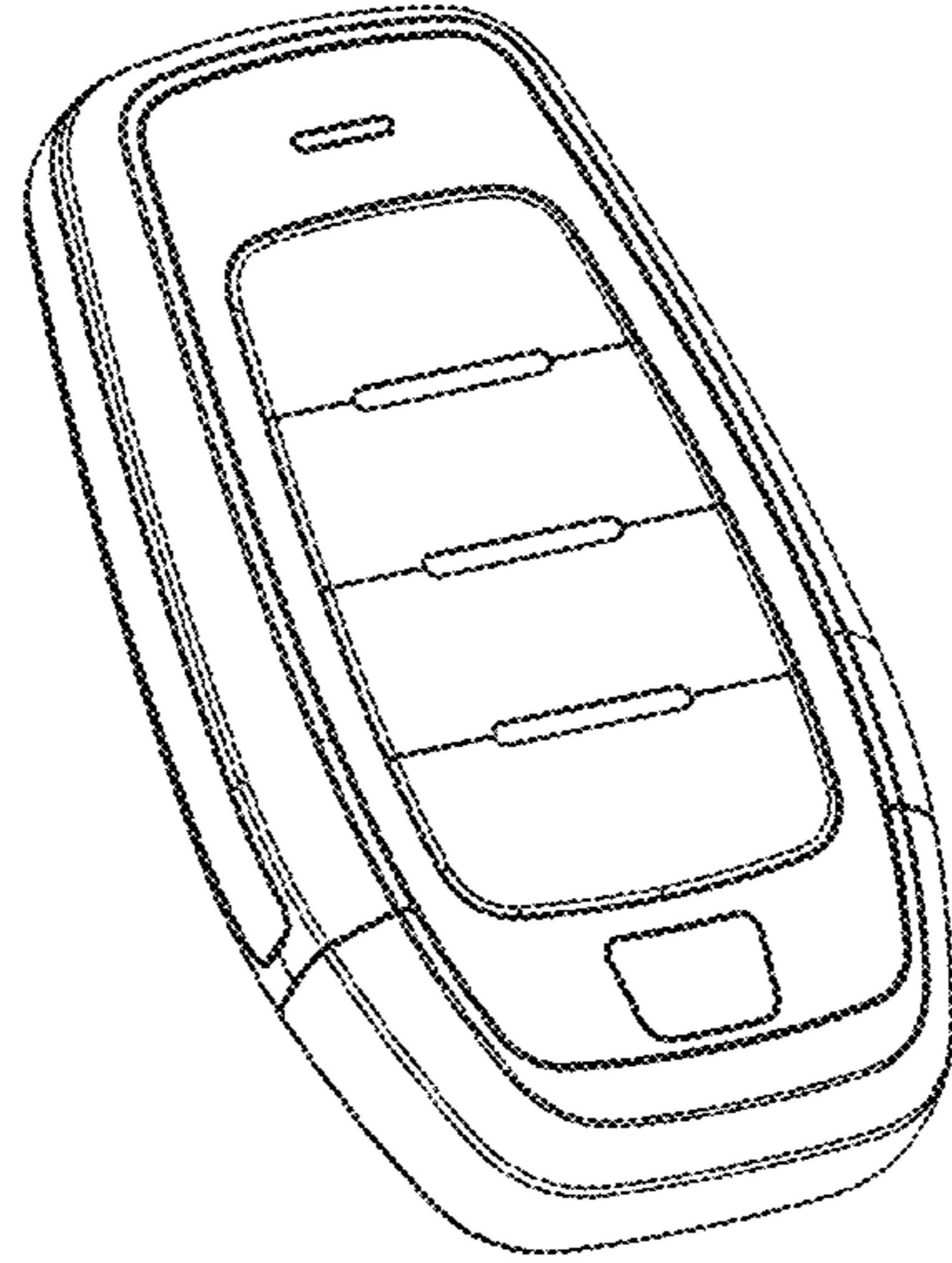


FIG. 7

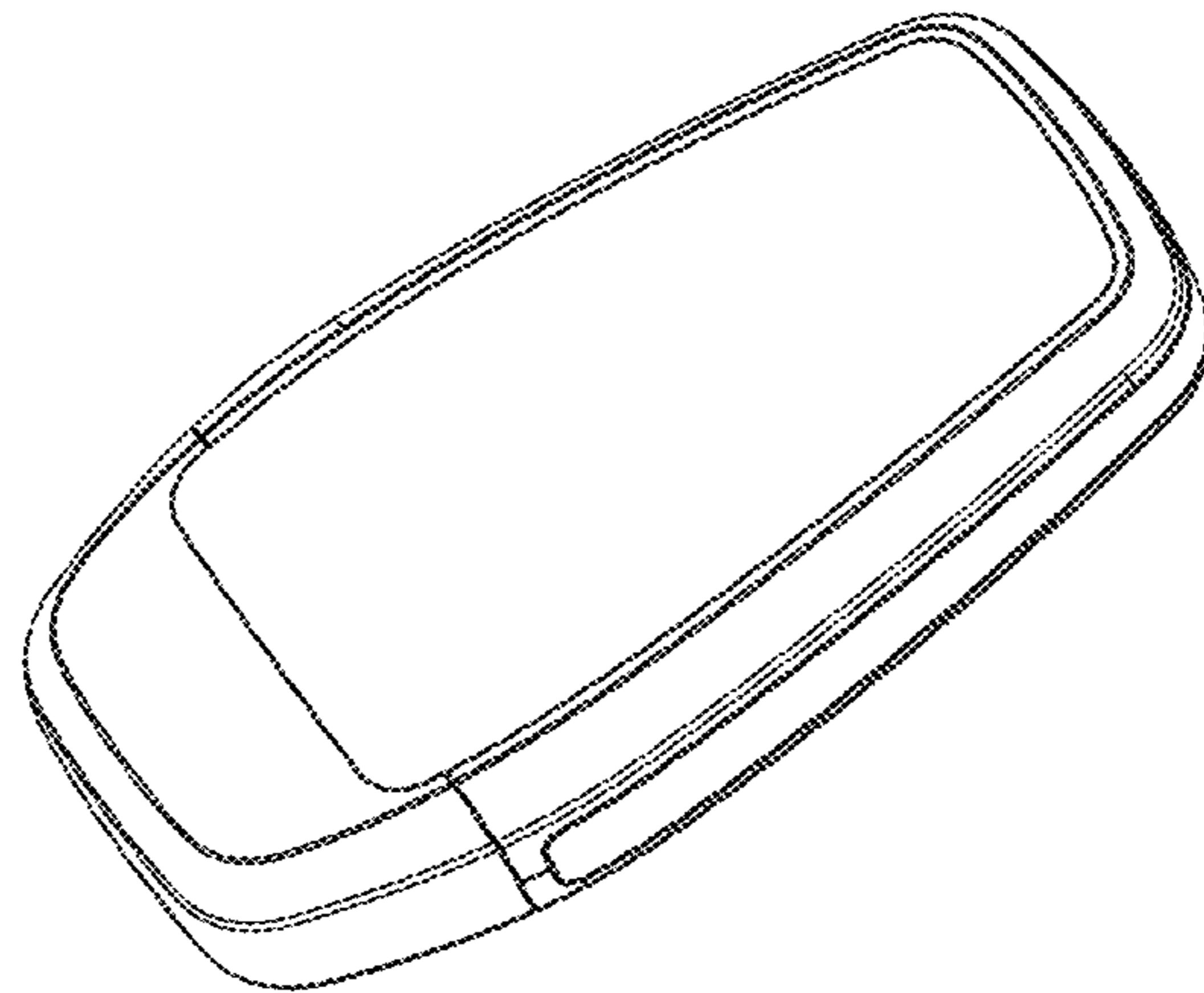


FIG. 8