



US00D975659S

(12) **United States Design Patent**
Wood

(10) **Patent No.:** **US D975,659 S**

(45) **Date of Patent:** **** Jan. 17, 2023**

(54) **REMOTE CONTROL**

(71) Applicant: **HUNTER FAN COMPANY,**
Memphis, TN (US)

(72) Inventor: **Seth Aaron Wood,** Bartlett, TN (US)

(73) Assignee: **Hunter Fan Company,** Memphis, TN
(US)

(**) Term: **15 Years**

(21) Appl. No.: **29/669,326**

(22) Filed: **Nov. 7, 2018**

(51) **LOC (14) Cl.** **14-03**

(52) **U.S. Cl.**
USPC **D13/168**

(58) **Field of Classification Search**
USPC D13/168; D14/218
CPC H03J 1/0025; H01H 9/0235; H04B 1/202;
G08C 17/00; G08C 17/02; G08C 19/00;
G08C 19/28; G08C 23/04; H05B
37/0263; H05B 37/0272
See application file for complete search history.

(56) **References Cited**

U.S. PATENT DOCUMENTS

D391,230 S	2/1998	Thomas	
D415,735 S	10/1999	Zuege	
6,015,274 A *	1/2000	Bias	F04D 25/088 417/423.1
6,120,262 A *	9/2000	McDonough	H05B 37/0272 318/16
D493,149 S *	7/2004	Murtaugh	D13/168
D525,947 S *	8/2006	Gerard	D13/168
D564,978 S *	3/2008	Koury	D13/168
D600,682 S *	9/2009	Wai	D14/223
7,604,370 B2	10/2009	Dowdy et al.	
D608,303 S *	1/2010	Klausing	D13/168
D612,850 S *	3/2010	Cabatic	D13/168
7,772,801 B2	8/2010	Dowdy et al.	
D632,263 S	2/2011	Lin et al.	
D632,673 S *	2/2011	Isaias	D14/218
D661,665 S	6/2012	Windstrup et al.	

D662,066 S *	6/2012	Seidl	D13/168
8,253,272 B2 *	8/2012	Schulzman	F04D 25/068 307/155
8,358,101 B2	1/2013	Dowdy et al.	
D742,361 S *	11/2015	Choi	D13/168
D782,985 S *	4/2017	Mishan	D13/168
D805,483 S *	12/2017	McRoberts	D13/168

(Continued)

FOREIGN PATENT DOCUMENTS

TW M5433332 U 6/2017

OTHER PUBLICATIONS

Hunter Universal Remote for Ceiling Fans at Menards; prior to Nov. 7, 2017; 1 pg.; https://www.google.com/search?hl=en&biw=2048&bih=717&tbm=isch&sxsrif=ACYBGNQNHwzVpltV6s5TESciFNvz9Fq41w%3A1578511308555&sa=1&ei=zCsWXpnKlaap_Qa-sJbABQ&q=HUNTER+FAN+remote+control+before%3A2017-11-07&oq=HUNTER+FAN+remote+control+b.*

(Continued)

Primary Examiner — Selina Sikder

(74) *Attorney, Agent, or Firm* — McGarry Bair PC

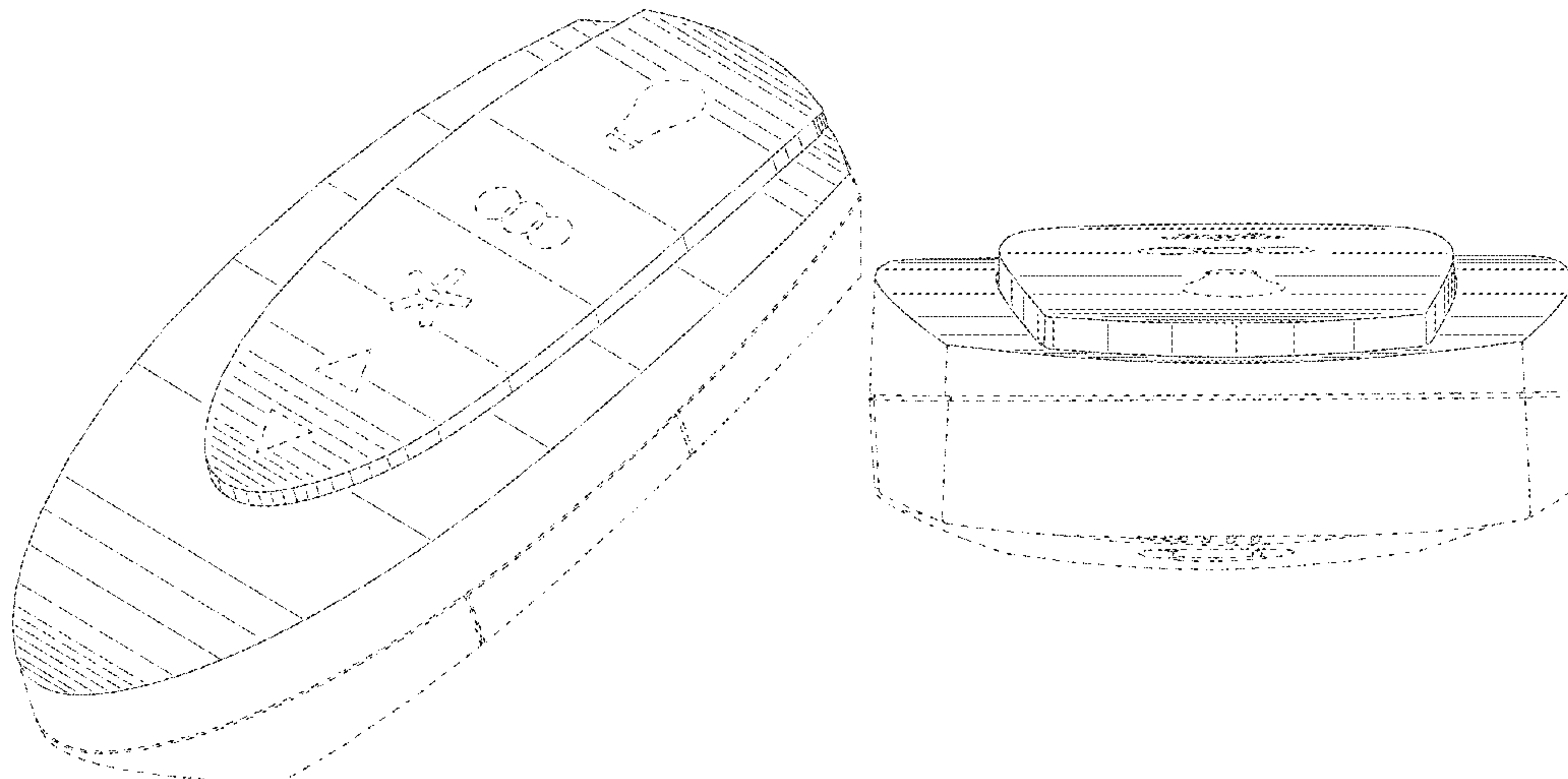
(57) **CLAIM**

The ornamental design for a remote control, as shown and described.

DESCRIPTION

FIG. 1 is a top perspective view of a remote control showing my new design;
FIG. 2 is a top view thereof;
FIG. 3 is a right side view thereof;
FIG. 4 is a left side view thereof;
FIG. 5 is a bottom view thereof;
FIG. 6 is a front view thereof; and,
FIG. 7 is a rear view thereof.
Portions of the remote control shown in broken line forms no part of the claimed design.

1 Claim, 7 Drawing Sheets



(56)

References Cited

U.S. PATENT DOCUMENTS

D811,351 S 2/2018 O'Connell
 D813,826 S * 3/2018 Dalton D13/168
 D818,445 S 5/2018 Altonen et al.
 D846,506 S * 4/2019 McRoberts D13/168
 2006/0044154 A1* 3/2006 Liao G08C 23/04
 340/13.24

OTHER PUBLICATIONS

Hunter 99116 Accessory 4" universal remote, date first available Feb. 29, 2016, 7 pages. <https://www.amazon.com/Hunter-99116-Accessory-Universal-Remote/dp/B01CDG1JZS>.*

Google image search of hunter fan remote control before:Nov. 7, 2017; 4 pages; https://www.google.com/search?q=hunter+fan+remote+control+before:2017-11-07&rlz=1C1GCEB_enUS799US802&source=Inms&tbm=isch&sa=X&ved=2ahUKEwj5o8Wo96fqAhW4hXIEHei9BEMQ_AUoAnoECA0QBA&biw=1060&bih=740#imgrc=9tV77jflg2c4qM.*

Three interlocking circle icon; Nov. 2, 2017; 1 pg.; <https://www.iconfinder.com/iconsets/shape-patterns-2>.*

Hunter Universal Remote; first available date on Amazon Feb. 29, 2016; 1 pg.; https://www.amazon.com/Hunter-99116-Accessory-Universal-Remote/dp/B01CDG1JZS/ref=sr_1_3?dchild=1&keywords=hunter+99116+accessory+universal+remote&qid=1625782238&sr=8-3.*

<https://www.homedepot.com/p/Universal-3-Speed-Ceiling-Fan-Control-99110/203689999>, Home Depot Universal 3-Speed Ceiling Fan Control, Model # 99110, accessed Oct. 9, 2018.

<https://www.homedepot.com/p/Hunter-Indoor-Outdoor-White-Universal-Multi-Function-Hand-Held-Ceiling-Fan-Remote-99372/301081326>, Hunter Fan Indoor/Outdoor White Universal Multi-Function Hand Held Ceiling Fan Remote, Model # 99372, accessed Oct. 9, 2018.

<https://ceilingfans.emerson.com/en-us/shop/fan/fan-sku-sr600>, Emerson Six Speed LED Remote Control, SKU # SR600, accessed Oct. 9, 2018.

<http://www.fanimation.com/products/index.php/fansync-bluetooth-transmitter-uplight-downlight.html>, Fanimation Fansync Bluetooth, Transmitter, Uplight/Downlight Fan and Light Control, Model # BTT9U, accessed Oct. 9, 2018.

<https://www.minkagroup.net/rcs213.html>, Minka Hand Held Fan Control, Model # RCS213, accessed Oct. 9, 2018.

<https://ceilingfans.emerson.com/en-us/shop/fan/fan-sku-sr400>, Emerson 4-Speed Remote Control with Receiver, SKU # SR400, accessed Oct. 9, 2018.

https://www.amazon.com/Eogiffee-35T-Ceiling-Replacement-KUJCE9603/dp/B07BK6Y7NV/ref=pd_lpo_vtph_201_tr_img_2?_encoding=UTF8&psc=1&refRID=Y8PT83MV4DJJY88Q7D98, Harbor Breeze Eogiffee 35T Ceiling Fan Remote Control Replacement of Harbor Breeze KUJCE9603, FAN-35T, accessed Oct. 9, 2018.

<https://www.alamy.com/stock-photo-three-steps-infinity-circle-infographic-71962642.html>, Alamy, three steps infinite circle infographic, Image ID E5252A, Photographer Zoonar/Felix Pergande, Mar. 2014, accessed Oct. 9, 2018.

<https://www.istockphoto.com/vector/three-circles-process-chart-template-gm953731966-260368253>, Three circles process chart template, Essentials Collection, Stock Illustration ID 953731966, Upload date May 1, 2018, accessed Oct. 9, 2018.

https://www.123rf.com/photo_62534976_kiev-ukraine-august-30-2016-new-mastercard-logos-printed-on-white-paper-mastercard-worldwide-is-an-a.html, New MasterCard logos printed on white paper. MasterCard Worldwide is an American multifunctional financial services corporation, Kiev, Ukraine, Aug. 30, 2016, accessed Oct. 9, 2018.

<https://www.audiusa.com/>, Audi of America, Luxury Sedans, SUVs, Convertibles and Coupes, four circles, related to the three overlapping circles design, Copyright 2018, accessed Oct. 9, 2018.

https://www.tnt.com/express/en_us/site/home.html, TNT three circles, related to the three overlapping circles design, accessed Oct. 9, 2018.

<https://www.mastercard.us/en-us.html>, Mastercard—Global Leading Company in Payment Solutions offering Credit, Debit, Prepaid Cards & more, Copyright 1994-2018, accessed Oct. 9, 2018.

* cited by examiner

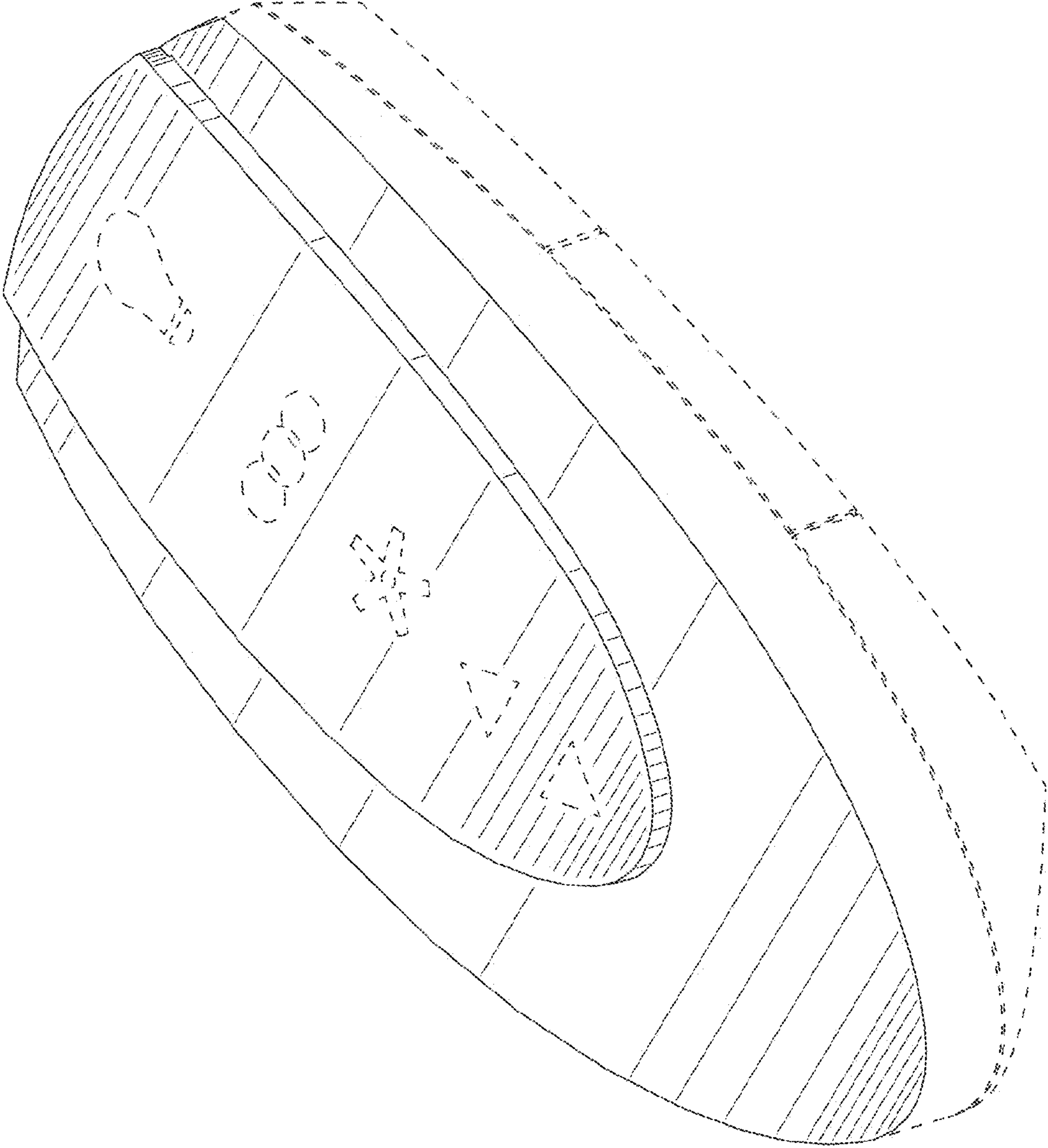


FIG. 1

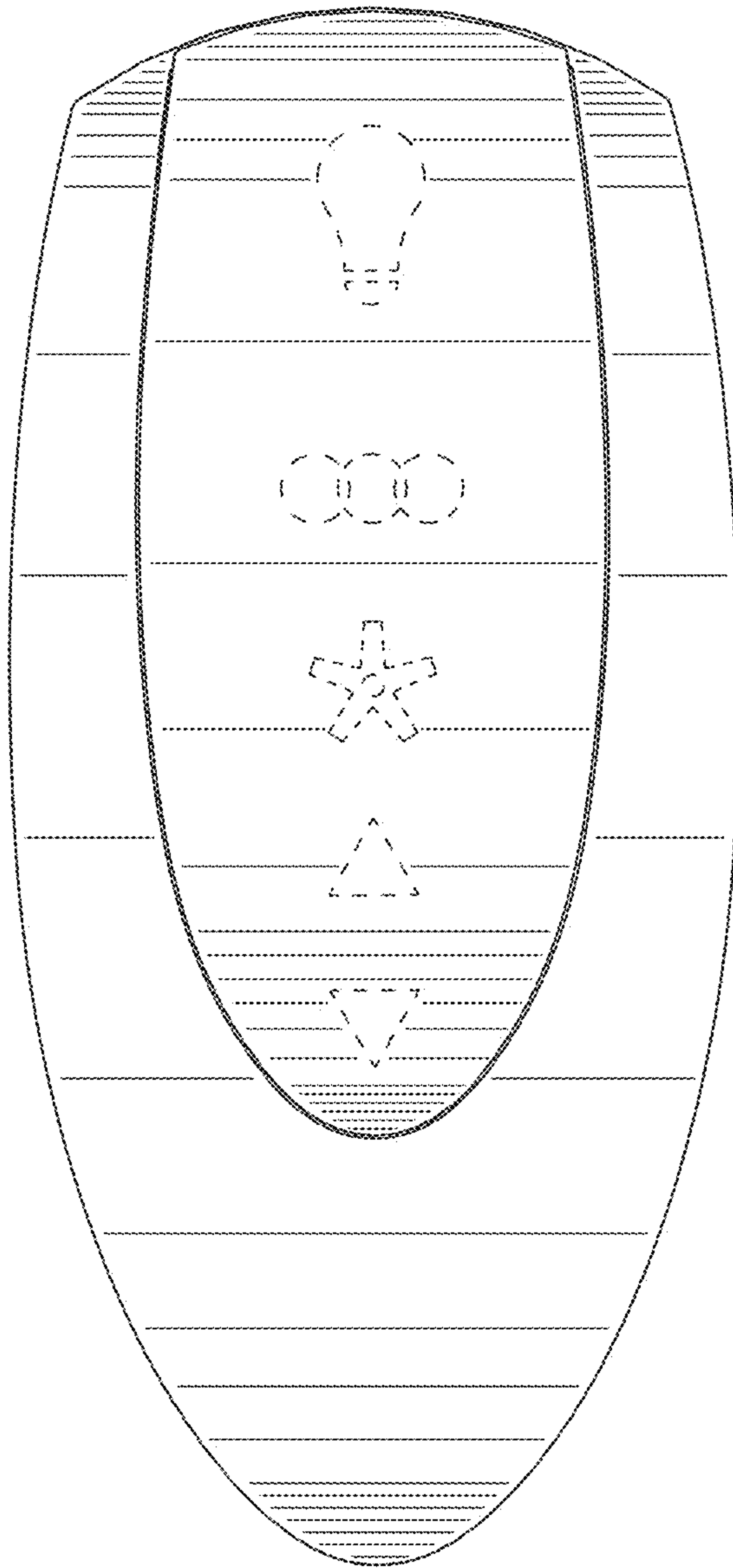


FIG. 2

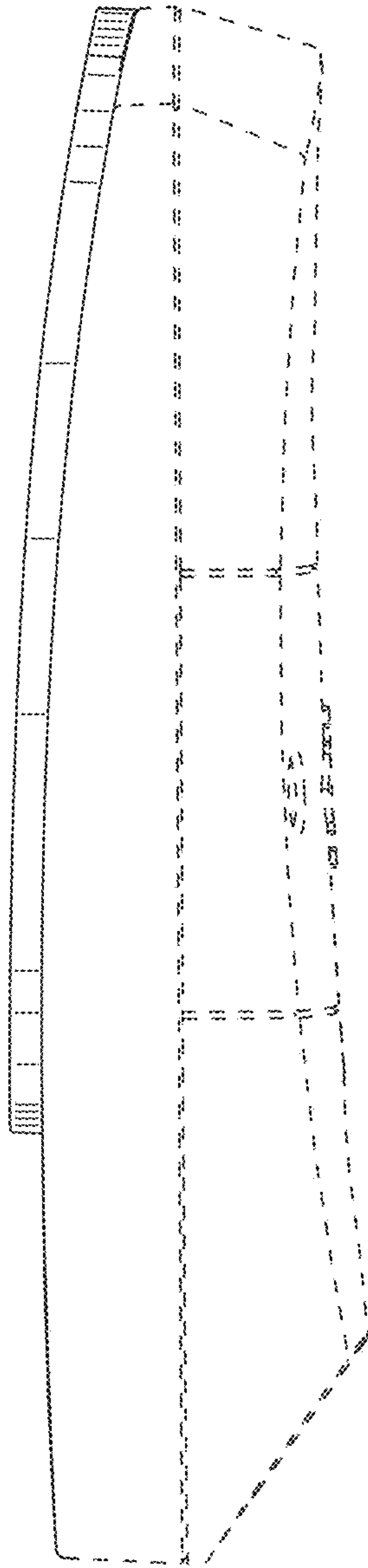


FIG. 3

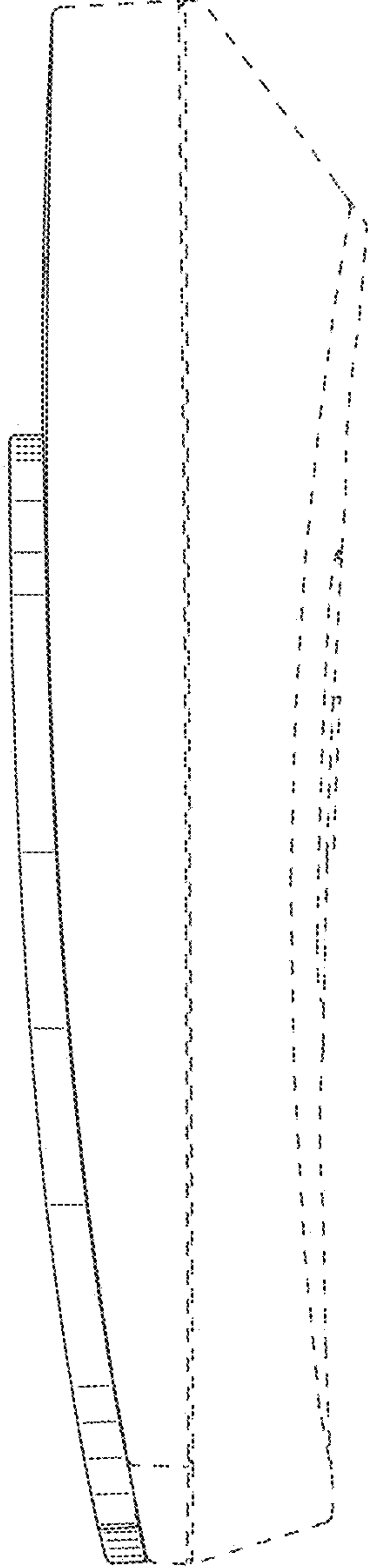


FIG. 4

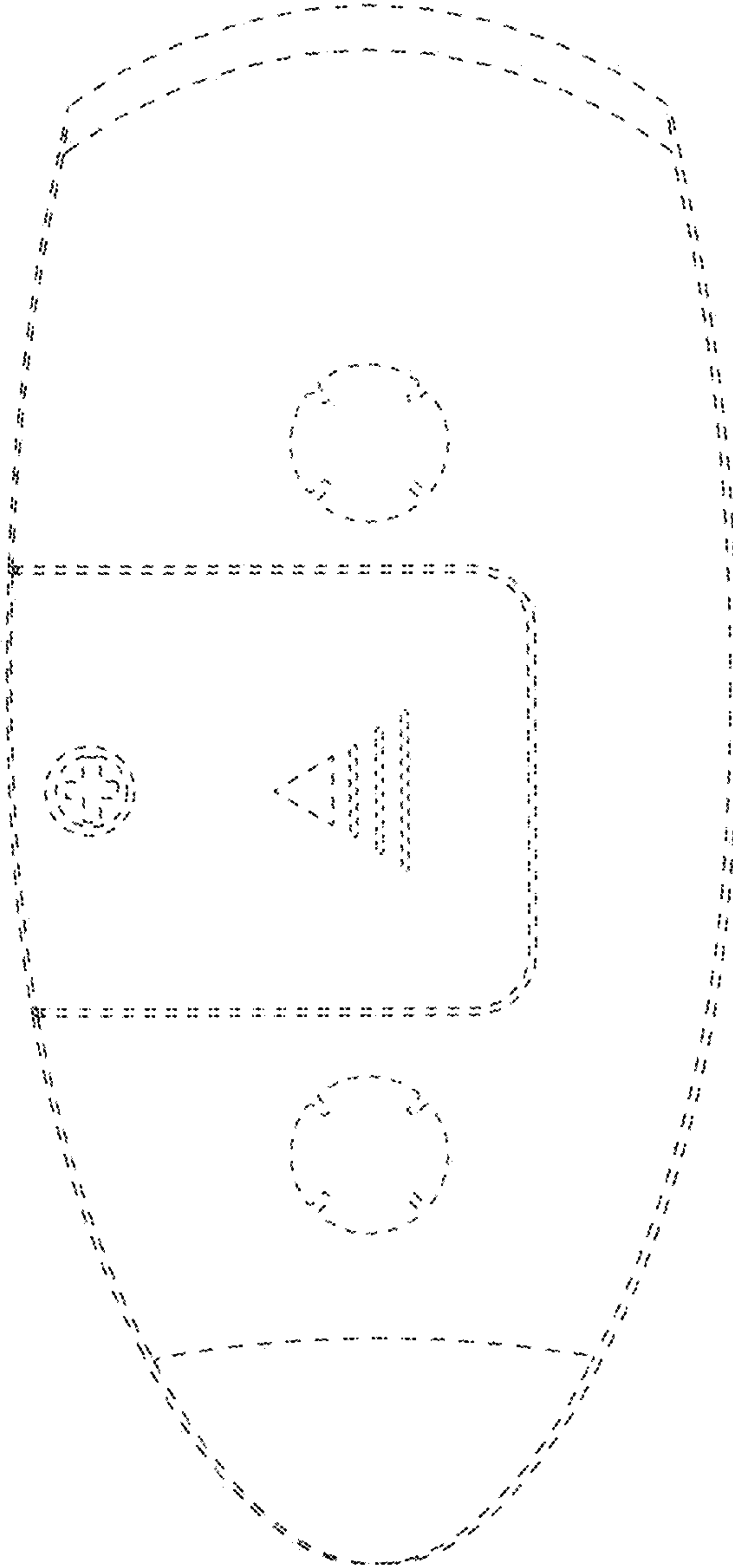


FIG. 5

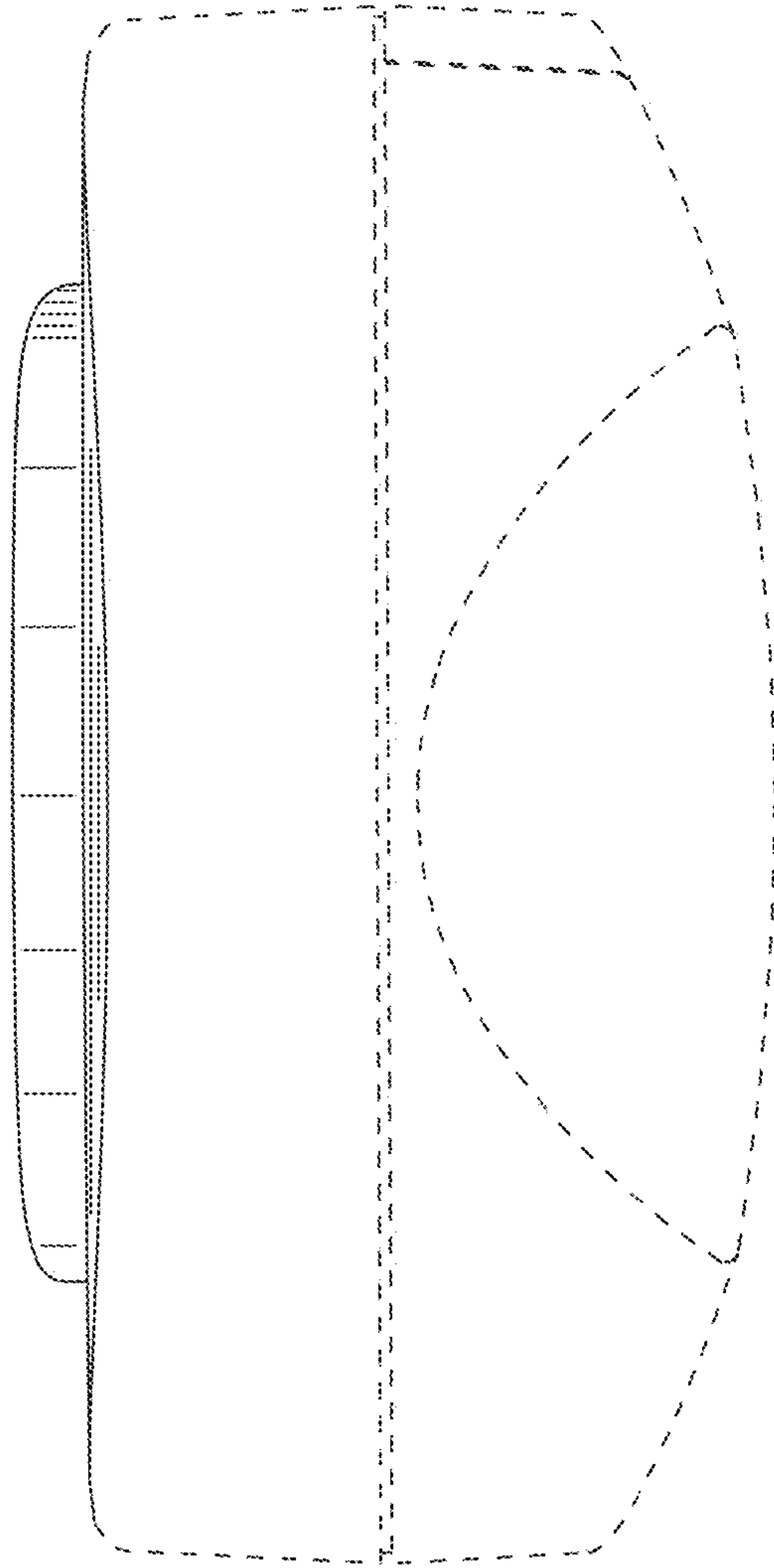


FIG. 6

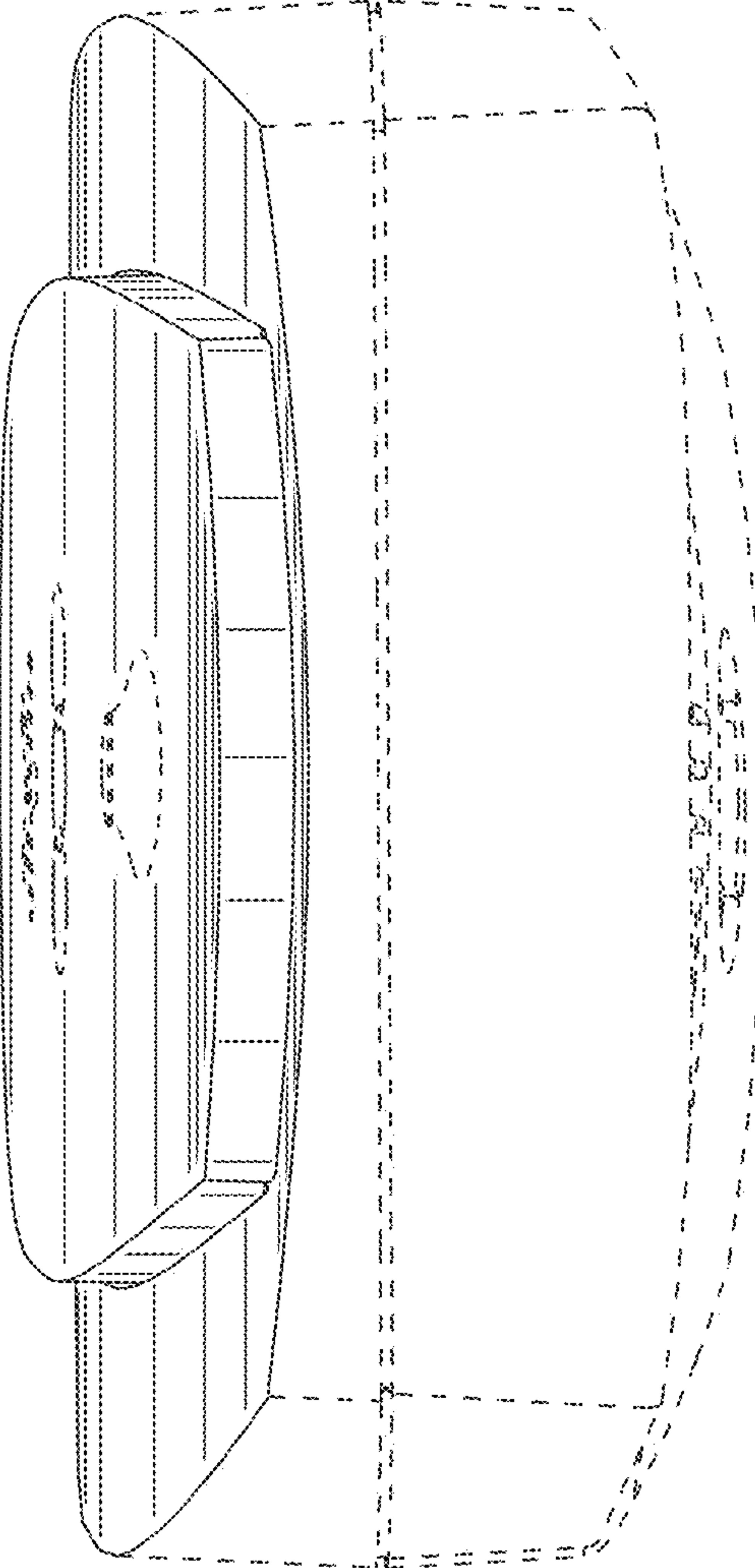


FIG. 7