



US00D975657S

(12) **United States Design Patent**
Boynton et al.

(10) **Patent No.:** **US D975,657 S**
(45) **Date of Patent:** **** Jan. 17, 2023**

(54) **CONTROL PANEL**

(71) Applicant: **Vivint, Inc.**, Provo, UT (US)

(72) Inventors: **Stephen E. Boynton**, Pleasant Grove, UT (US); **Jeffrey L. Jones**, Elk Ridge, UT (US); **Max B. Crebs**, Salt Lake City, UT (US)

(73) Assignee: **VIVINT, INC.**, Provo, UT (US)

(**) Term: **15 Years**

(21) Appl. No.: **29/748,849**

(22) Filed: **Sep. 1, 2020**

Related U.S. Application Data

(62) Division of application No. 29/632,220, filed on Jan. 5, 2018, now Pat. No. Des. 894,844.

(51) **LOC (14) Cl.** **13-03**

(52) **U.S. Cl.**
USPC **D13/162**

(58) **Field of Classification Search**
USPC D13/162, 168, 177; D10/49, 50, 104.1, D10/106.1, 106.95; D14/218, 336, 337, D14/341, 371, 374, 375
CPC .. F24F 11/50; F24F 11/52; F24F 11/56; F24F 11/523; F24F 11/62; F24F 11/65; G05B 19/042; G05B 19/0426; G05B 19/05; G05B 19/409; G05B 15/02; G06F 1/1601; G06F 3/041; G06F 3/044; G06F 3/0482; G06F 3/0488; G06F 3/0489; G05D 23/1931
See application file for complete search history.

(56) **References Cited**

U.S. PATENT DOCUMENTS

D335,963 S 6/1993 Tracey
D596,173 S * 7/2009 Artin D14/371

D610,355 S 2/2010 Chigira et al.
D614,975 S * 5/2010 Fisher D10/50
D618,241 S 6/2010 Akana et al.
D622,621 S * 8/2010 Choi D10/50
D623,606 S * 9/2010 Nakai D13/168
D648,641 S * 11/2011 Wallaert D10/49
D648,642 S * 11/2011 Wallaert D10/49
D659,660 S * 5/2012 Kumano D14/126
D661,266 S 6/2012 Laube et al.
D691,979 S 10/2013 Park
D694,195 S 11/2013 Gammon et al.
8,802,981 B2 8/2014 Wallaert et al.
D727,271 S 4/2015 Shi et al.
D727,857 S 4/2015 Acera et al.
D728,560 S 5/2015 Seoc
D734,179 S * 7/2015 Golden D10/50
D737,697 S 9/2015 Bhattacharya
D739,402 S * 9/2015 Seoc D14/341
D741,269 S 10/2015 Bhattacharya et al.
D754,655 S 4/2016 Groene et al.
D755,783 S 5/2016 Shi et al.
D760,718 S 7/2016 Wallace et al.
9,416,988 B2 * 8/2016 Khoury H02H 9/005
D778,245 S * 2/2017 Feldstein D13/162

(Continued)

Primary Examiner — Selina Sikder

(74) *Attorney, Agent, or Firm* — Kunzler Bean & Adamson

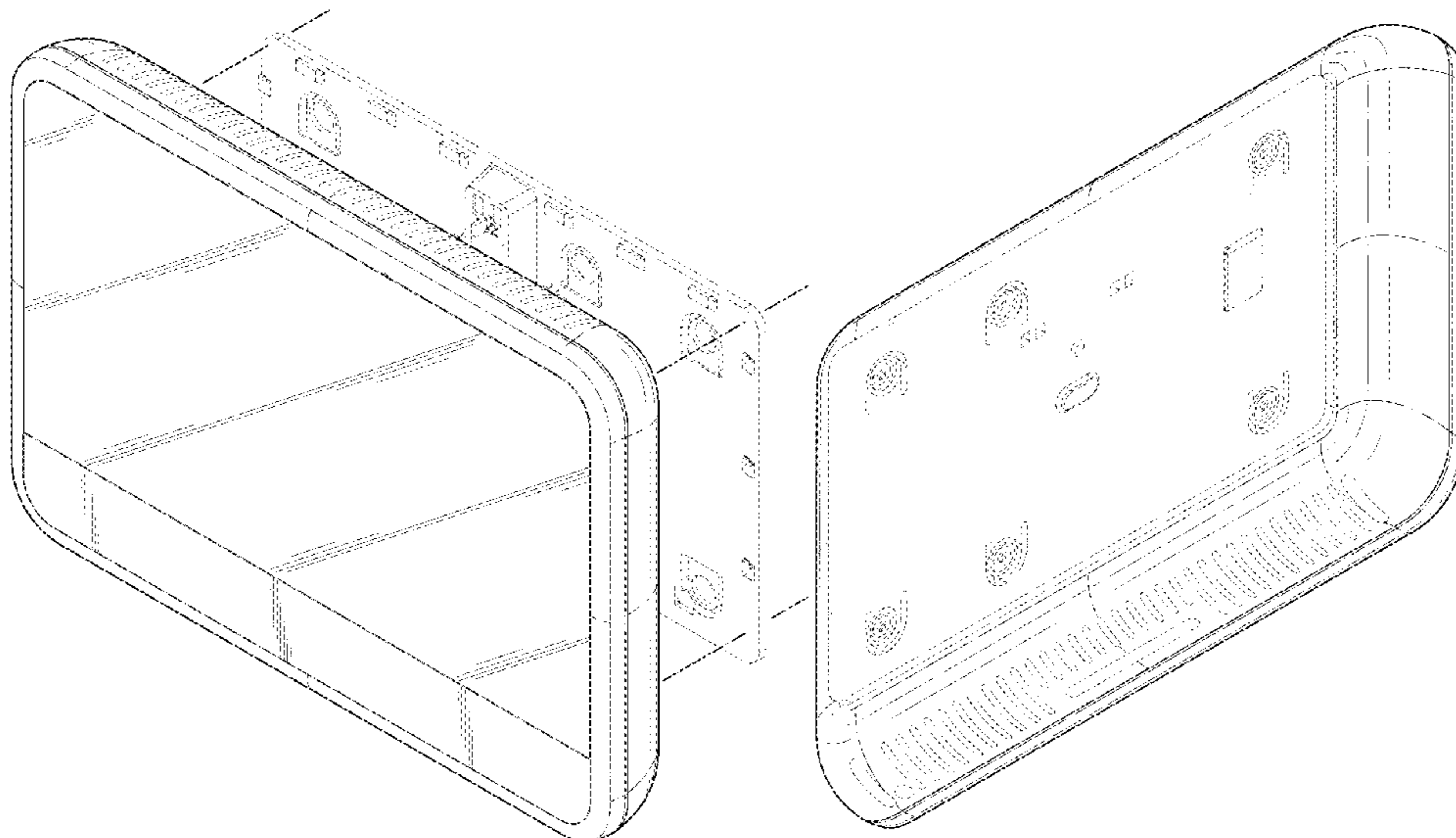
(57) **CLAIM**

The ornamental design for a control panel, as shown and described.

DESCRIPTION

FIG. 1 is a top, exploded perspective view of a control panel and a wall mount (with the wall mount shown in phantom lines); and, FIG. 2 is a rear, bottom perspective view of the control panel of FIG. 1 attached to a wall mount (with the wall mount shown in phantom lines). The broken lines in the drawings depict portions of the control panel that form no part of the claimed design.

1 Claim, 2 Drawing Sheets



(56)

References Cited

U.S. PATENT DOCUMENTS

D784,269 S 4/2017 Bhattacharya et al.
D784,270 S * 4/2017 Bhattacharya D13/163
D802,450 S * 11/2017 Boynton D10/50
9,891,664 B2 2/2018 Kim et al.
D822,621 S * 7/2018 Guan D13/162
D829,711 S * 10/2018 Akana D14/336
D834,541 S 11/2018 You et al.
D854,429 S * 7/2019 Gentle D10/50
10,359,790 B2 * 7/2019 Novotny H05K 5/03
10,520,212 B1 * 12/2019 Beck G05D 23/1934
D894,844 S 9/2020 Boynton et al.
11,107,390 B2 * 8/2021 Taylor, Jr. H05B 45/20
D952,476 S * 5/2022 Jhun D10/50
2010/0106305 A1 * 4/2010 Pavlak F24F 11/30
700/276
2013/0279142 A1 * 10/2013 Wang G06F 1/1626
312/223.1
2014/0043256 A1 * 2/2014 Wu H01H 9/02
345/173
2014/0153176 A1 6/2014 Ashcraft et al.
2015/0316285 A1 * 11/2015 Clifton F24F 11/00
236/1 C
2016/0327300 A1 11/2016 Ribbich et al.
2020/0018514 A1 * 1/2020 Howe H05K 5/0017
2021/0372645 A1 * 12/2021 Harder F24F 11/52

* cited by examiner

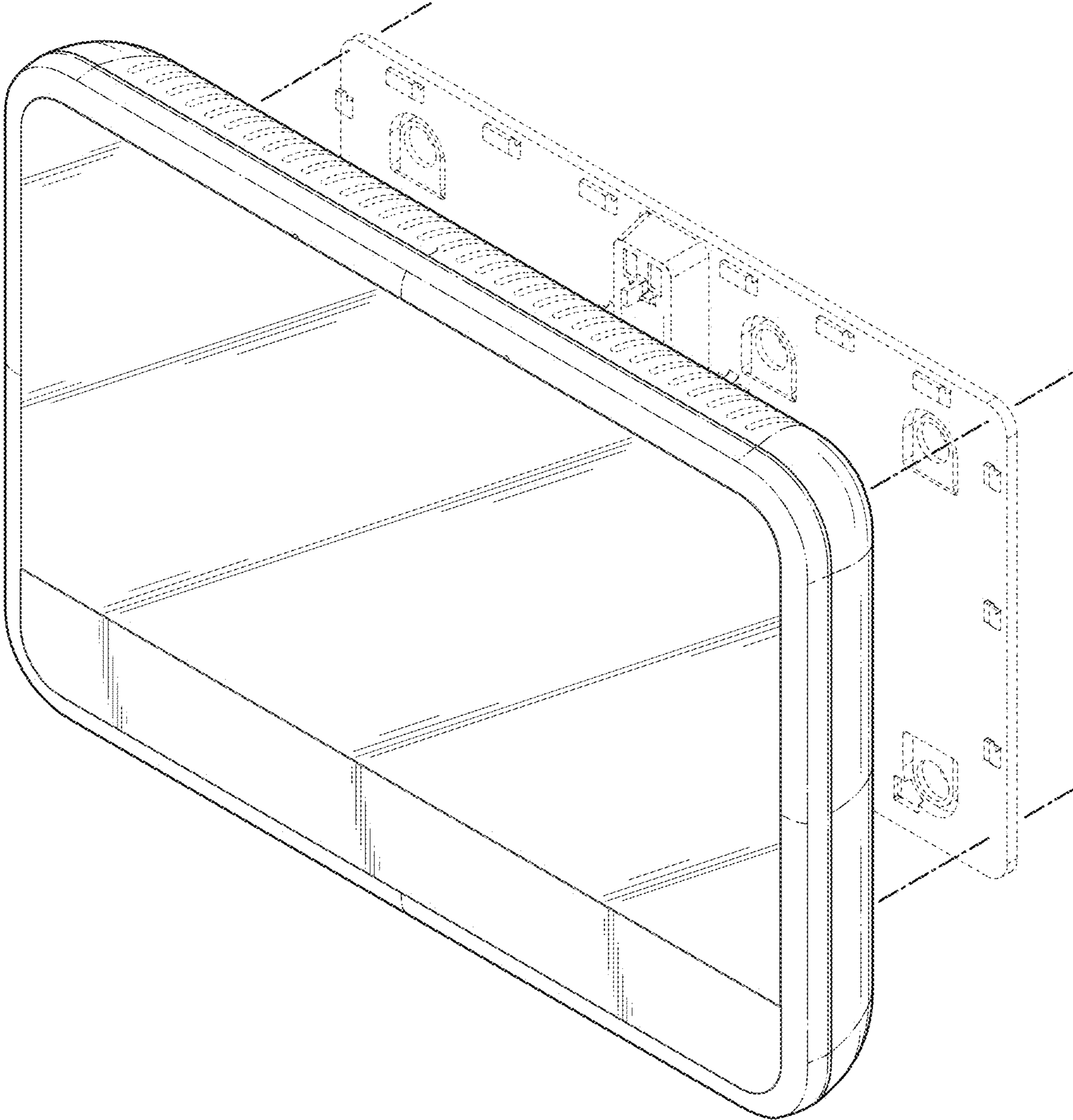


FIG. 1

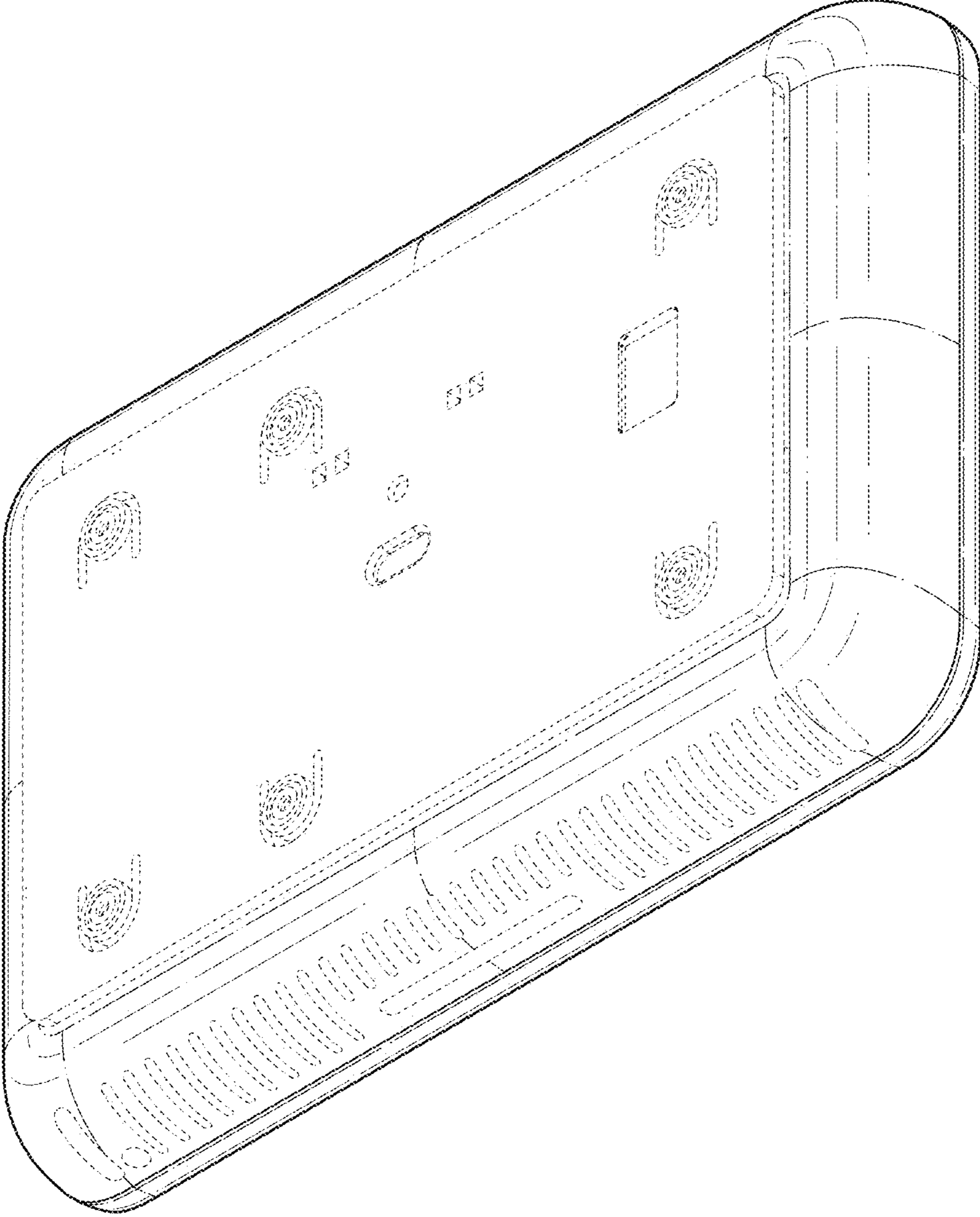


FIG. 2