



US00D975656S

(12) **United States Design Patent**  
**Merz et al.**

(10) **Patent No.:** **US D975,656 S**  
(45) **Date of Patent:** **\*\* Jan. 17, 2023**

(54) **SAFETY SWITCHING DEVICE**

(71) Applicant: **PILZ GMBH & CO. KG**, Ostfildern (DE)

(72) Inventors: **Lothar Merz**, Ostfildern (DE); **Klaus Baumgartner**, Esslingen Am Neckar (DE); **Harald Cramer**, Esslingen Am Neckar (DE); **Joscha Schuberth**, Esslingen Am Neckar (DE)

(73) Assignee: **PILZ GMBH & CO. KG**, Ostfildern (DE)

(\*\*) Term: **15 Years**

(21) Appl. No.: **29/703,372**

(22) Filed: **Aug. 27, 2019**

(30) **Foreign Application Priority Data**

Mar. 1, 2019 (EM) ..... 006272514

(51) **LOC (14) Cl.** ..... **13-03**

(52) **U.S. Cl.**  
USPC ..... **D13/158**

(58) **Field of Classification Search**  
USPC ..... D13/123, 133, 158-162, 173, 178, 184, D13/199

(Continued)

(56) **References Cited**

**U.S. PATENT DOCUMENTS**

6,811,425 B1 \* 11/2004 Chiang ..... H01R 9/24  
439/372

D566,049 S \* 4/2008 Radau ..... D13/162  
(Continued)

**OTHER PUBLICATIONS**

Pilz GmbH & Co. KG; Configurable Safe Small Controllers PNOZmulti 2 The Success Story Continues; Dated Oct. 16, 2020; 4 pages.

(Continued)

*Primary Examiner* — Shawn T Gingrich

(74) *Attorney, Agent, or Firm* — Harness, Dickey & Pierce, P.L.C.

(57) **CLAIM**

The ornamental design for a safety switching device, as shown and described.

**DESCRIPTION**

FIG. 1 is a perspective view of a first embodiment of the safety switching device embodying our new design;

FIG. 2 is a front view of the safety switching device shown in FIG. 1;

FIG. 3 is a rear view of the safety switching device shown in FIG. 1;

FIG. 4 is a top view of the safety switching device shown in FIG. 1;

FIG. 5 is a bottom view of the safety switching device shown in FIG. 1;

FIG. 6 is a left side view of the safety switching device shown in FIG. 1;

FIG. 7 is a right side view of the safety switching device shown in FIG. 1;

FIG. 8 is a perspective view of a second embodiment of the safety switching device embodying our new design;

FIG. 9 is a front view of safety switching device shown in FIG. 8;

FIG. 10 is a rear view of the safety switching device shown in FIG. 8;

FIG. 11 is a top view of the safety switching device shown in FIG. 8;

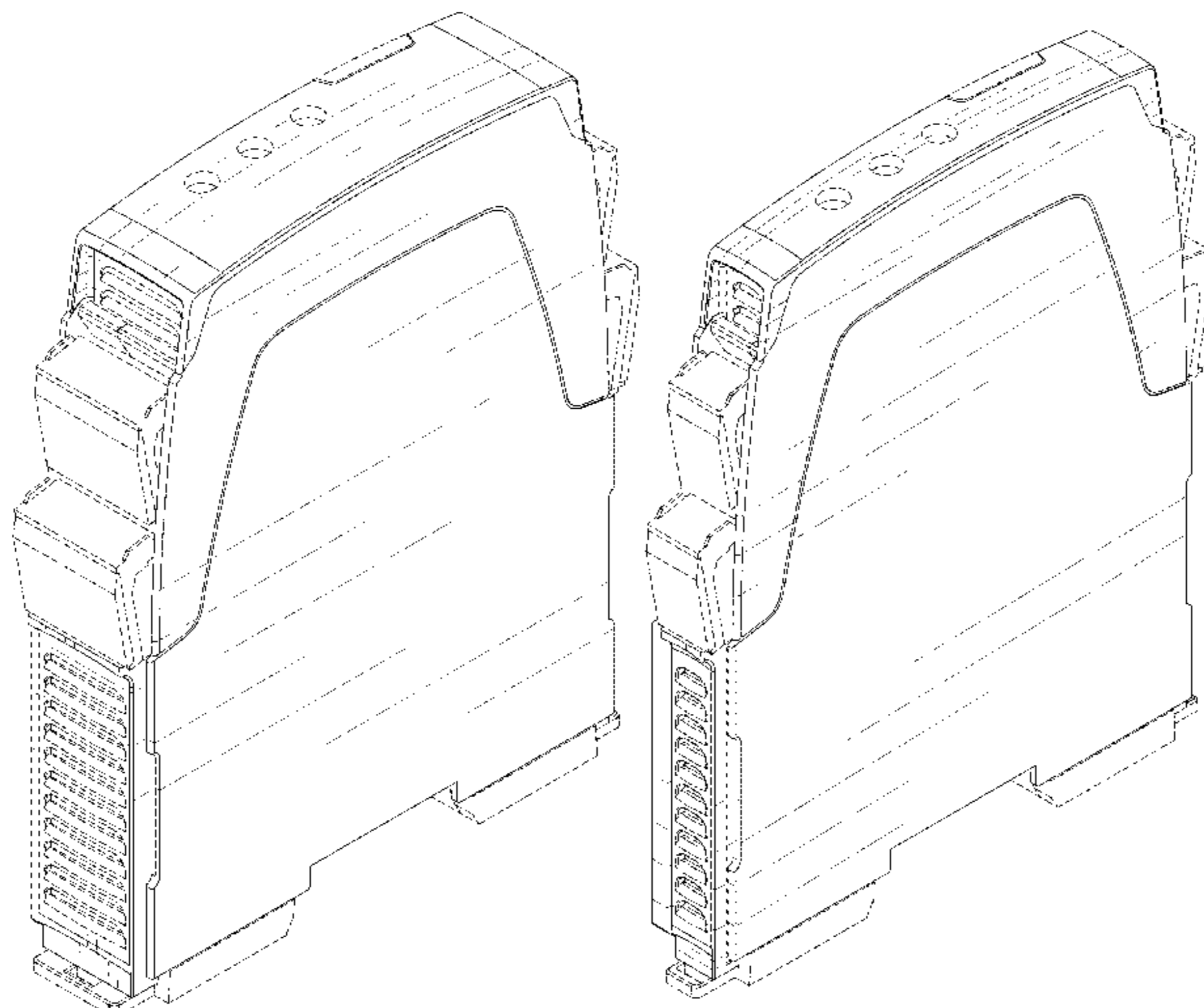
FIG. 12 is a bottom view of the safety switching device shown in FIG. 8;

FIG. 13 is a left side view of the safety switching device shown in FIG. 8; and,

FIG. 14 is a right side view of the safety switching device shown in FIG. 8.

The broken lines in the figures are for the purpose of illustrating portions of the safety switching device that form no part of the claimed design.

**1 Claim, 10 Drawing Sheets**



(58) **Field of Classification Search**  
 CPC ..... H01R 9/26; H01R 12/00; H01R 13/44;  
 H01R 25/16; H02B 1/052; H05K 1/00;  
 H05K 1/18; H05K 5/02; H05K 7/00  
 See application file for complete search history.

(56) **References Cited**

U.S. PATENT DOCUMENTS

D600,213	S *	9/2009	Inoue	.....	D13/133
D616,833	S *	6/2010	Heggemann	.....	D13/164
D693,776	S *	11/2013	Skowranek	.....	D13/162
9,455,510	B2 *	9/2016	Busch	.....	H01R 13/633
D811,350	S *	2/2018	Huettemeier	.....	D13/158
D822,620	S *	7/2018	Miholic	.....	D13/159
10,687,433	B1 *	6/2020	Raic	.....	H05K 7/1468
D937,226	S *	11/2021	Naumann	.....	D13/158
2008/0092604	A1 *	4/2008	Trinh	.....	H05K 7/1474 70/57
2009/0207571	A1 *	8/2009	Heggemann	.....	H05K 7/1469 361/752

2012/0057307	A1 *	3/2012	Kang	.....	H01R 9/2416 361/728
2013/0113349	A1 *	5/2013	Miyazaki	.....	H05K 5/0247 312/223.1
2015/0056835	A1 *	2/2015	Wu	.....	H01R 9/2608 439/251
2015/0173223	A1 *	6/2015	Binner	.....	H05K 7/1428 174/50
2016/0268748	A1 *	9/2016	Best	.....	H01R 9/2408
2019/0123521	A1 *	4/2019	Merz	.....	H01R 25/162
2022/0149577	A1 *	5/2022	Utsunomiya	.....	H01R 4/4818

OTHER PUBLICATIONS

Pilz GmbH & Co. KG; leaflet-Control Technology; dated Dec. 19, 2019; 156 Pages.  
 Japanese Office Action for Design Application: 2019-018539; dated Feb. 7, 2020; 2 pages.

\* cited by examiner

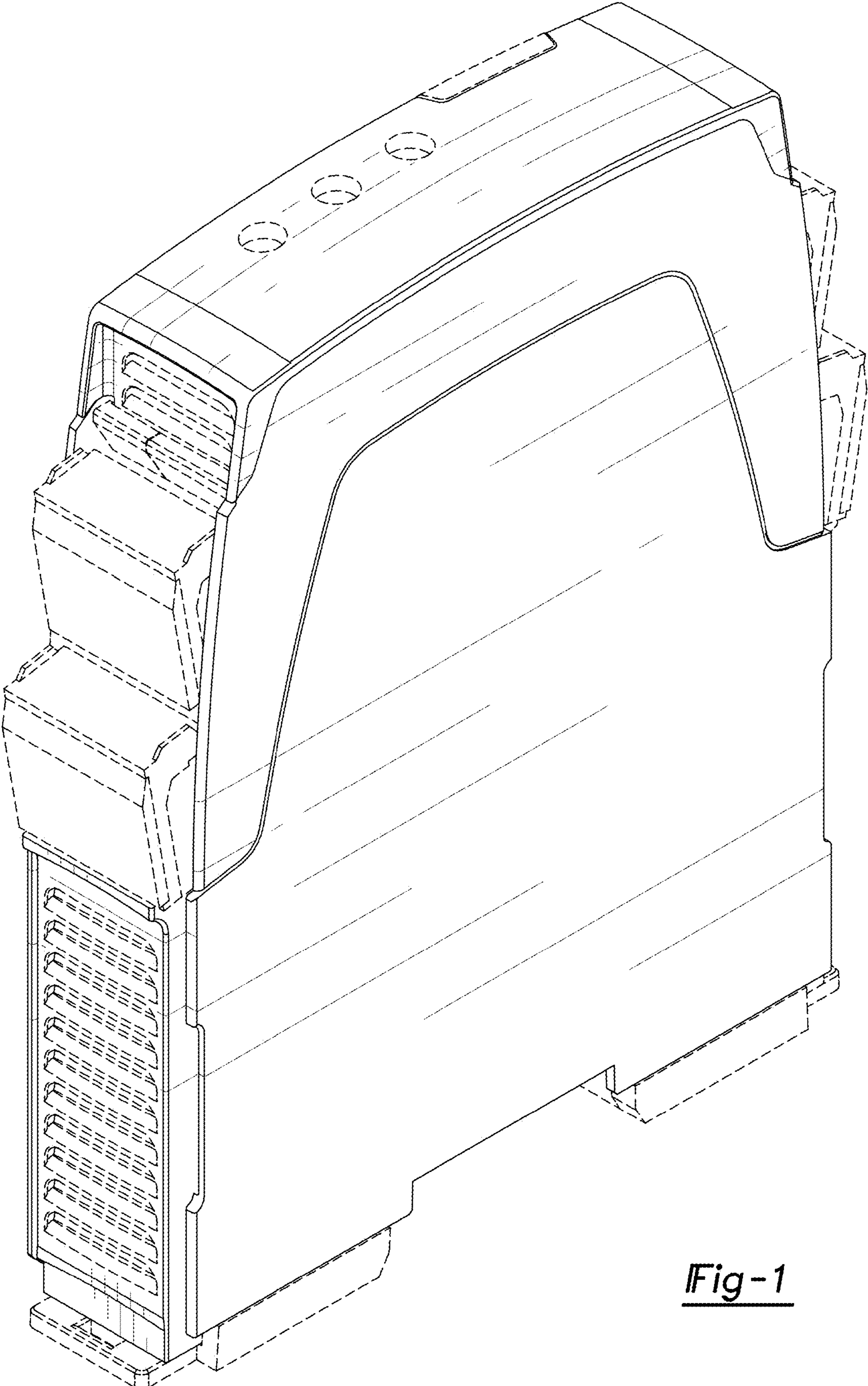


Fig-1

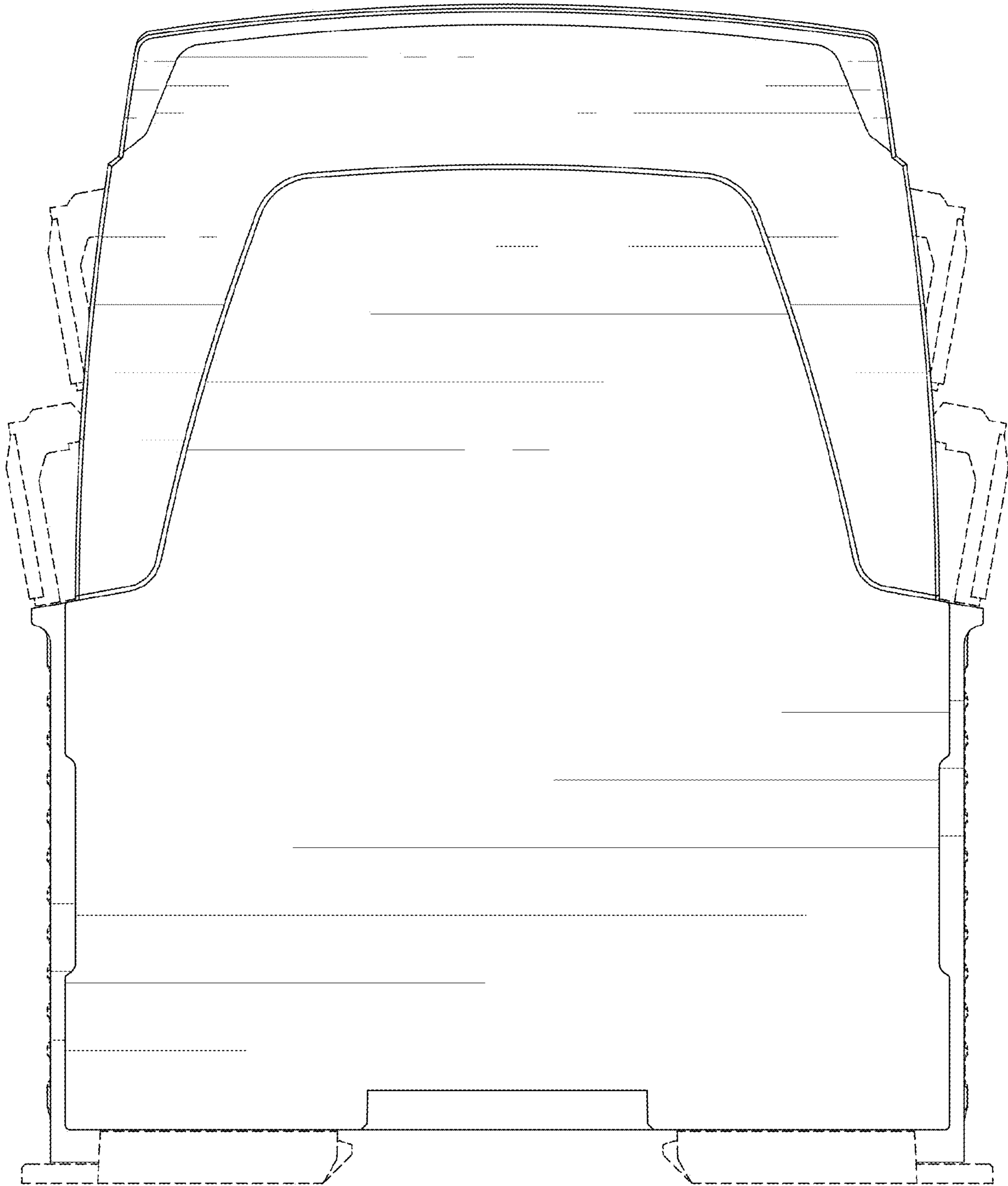


Fig-2

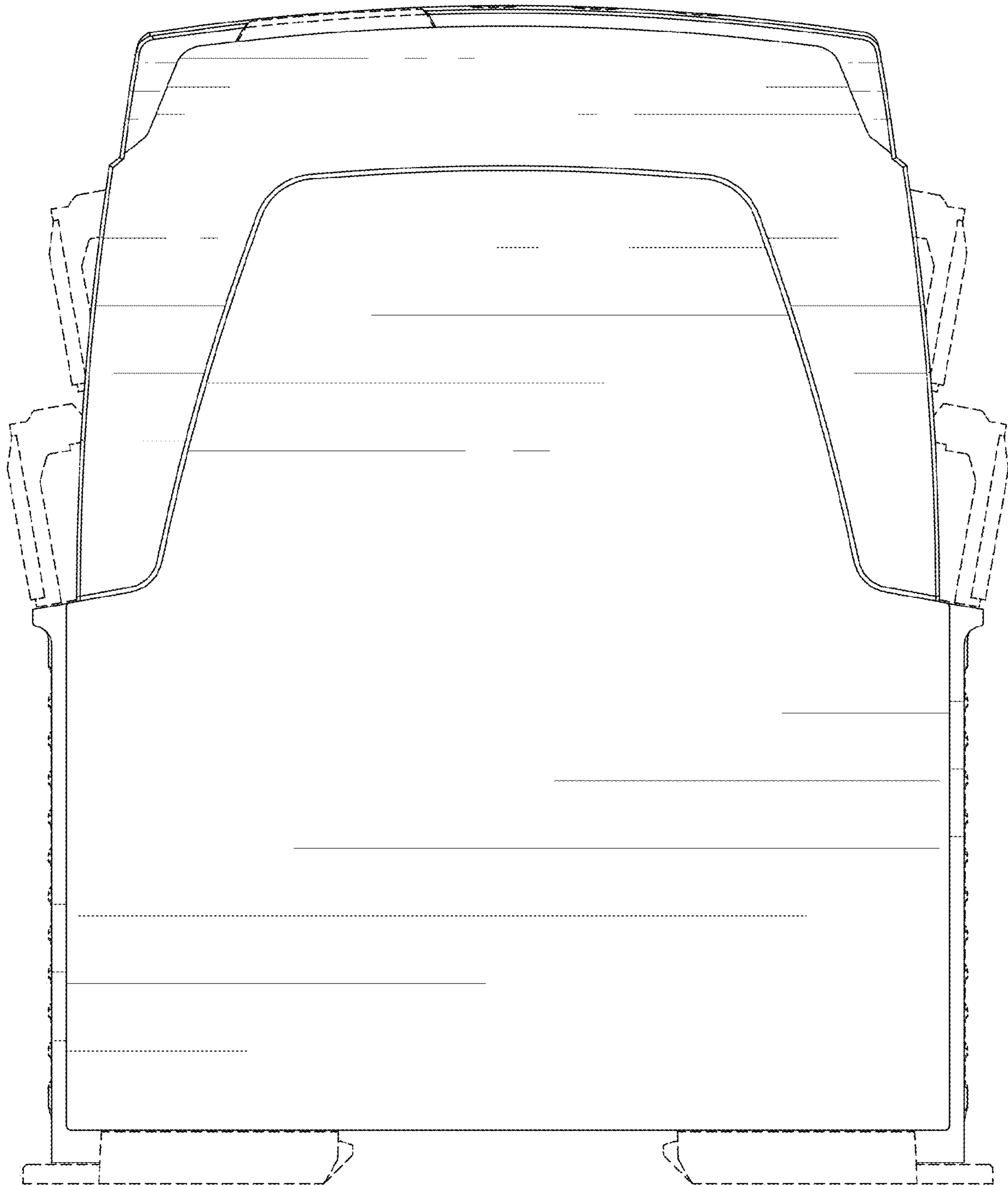


Fig-3

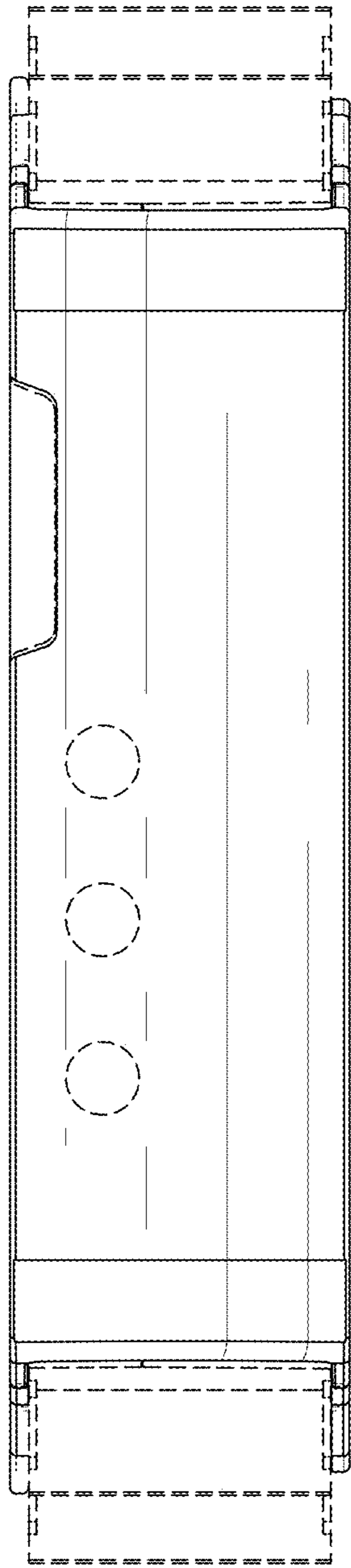


Fig-4

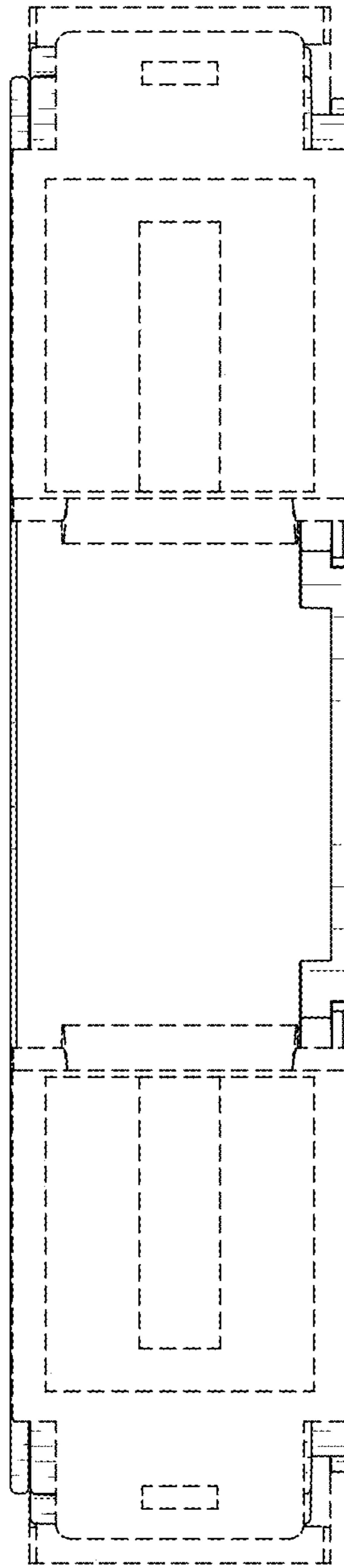


Fig-5

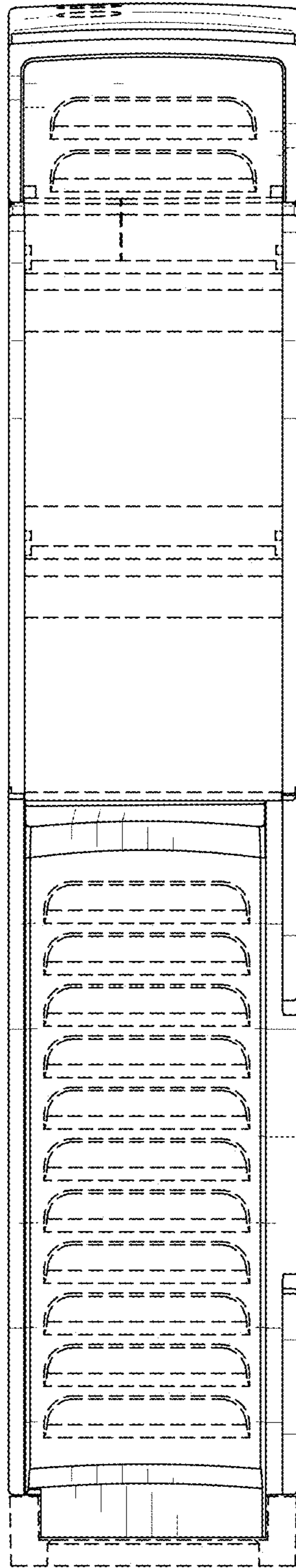


Fig-6

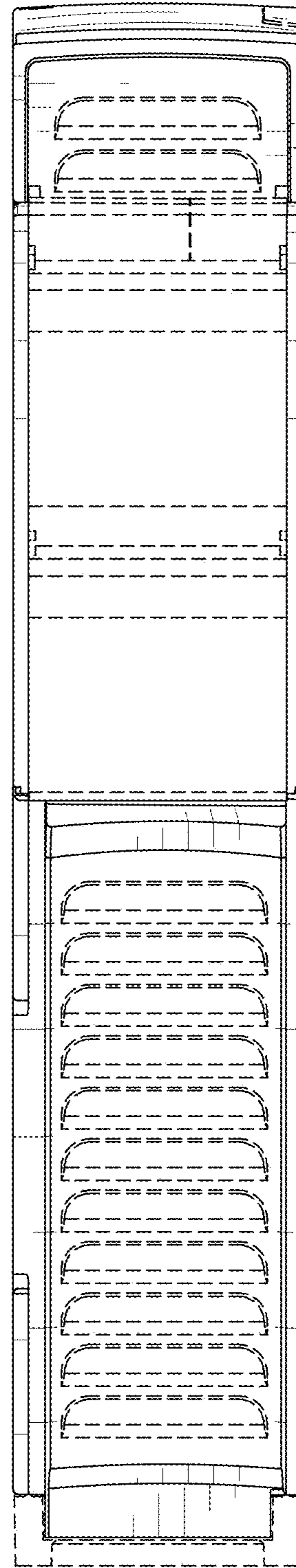


Fig-7

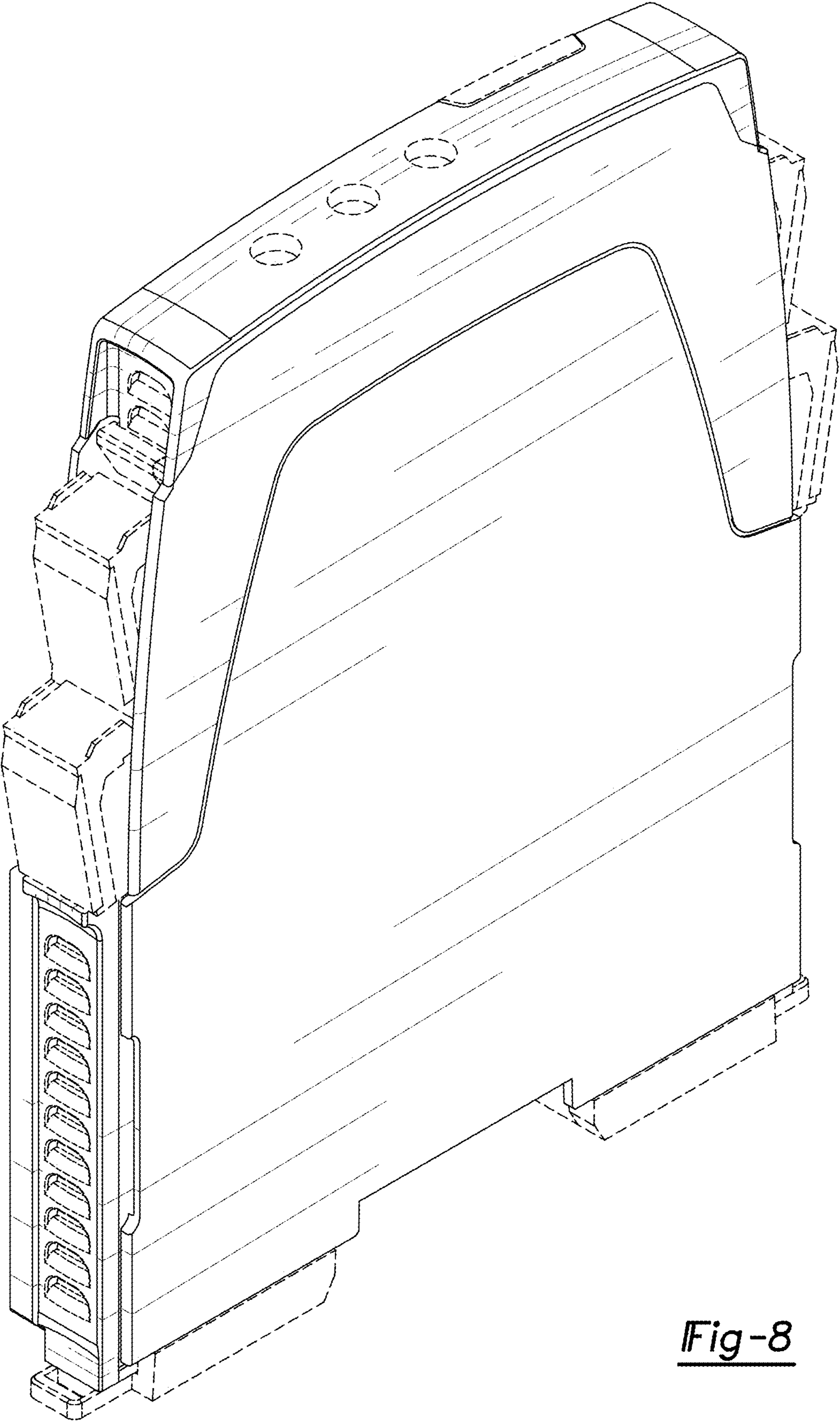


Fig-8



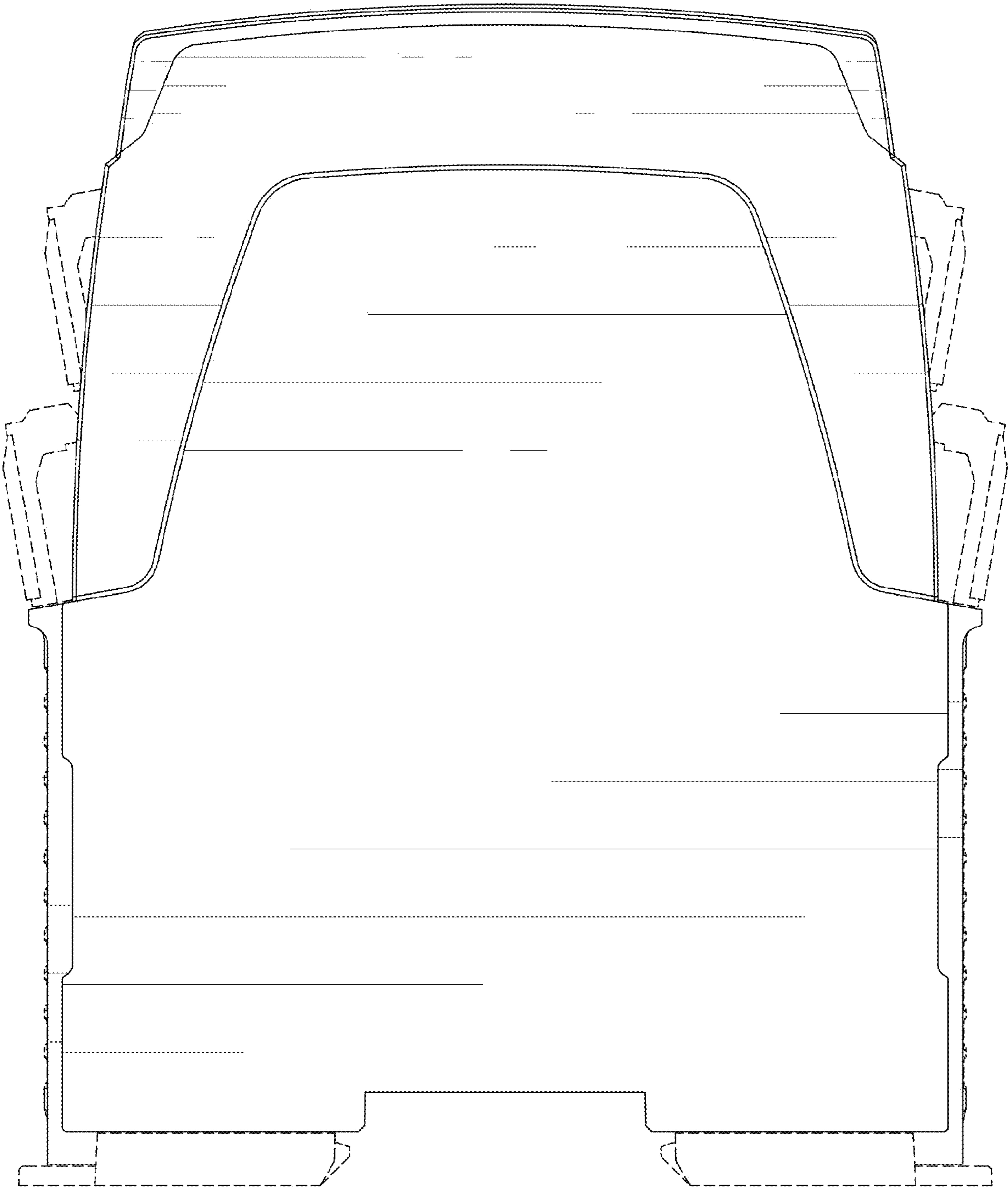


Fig-9

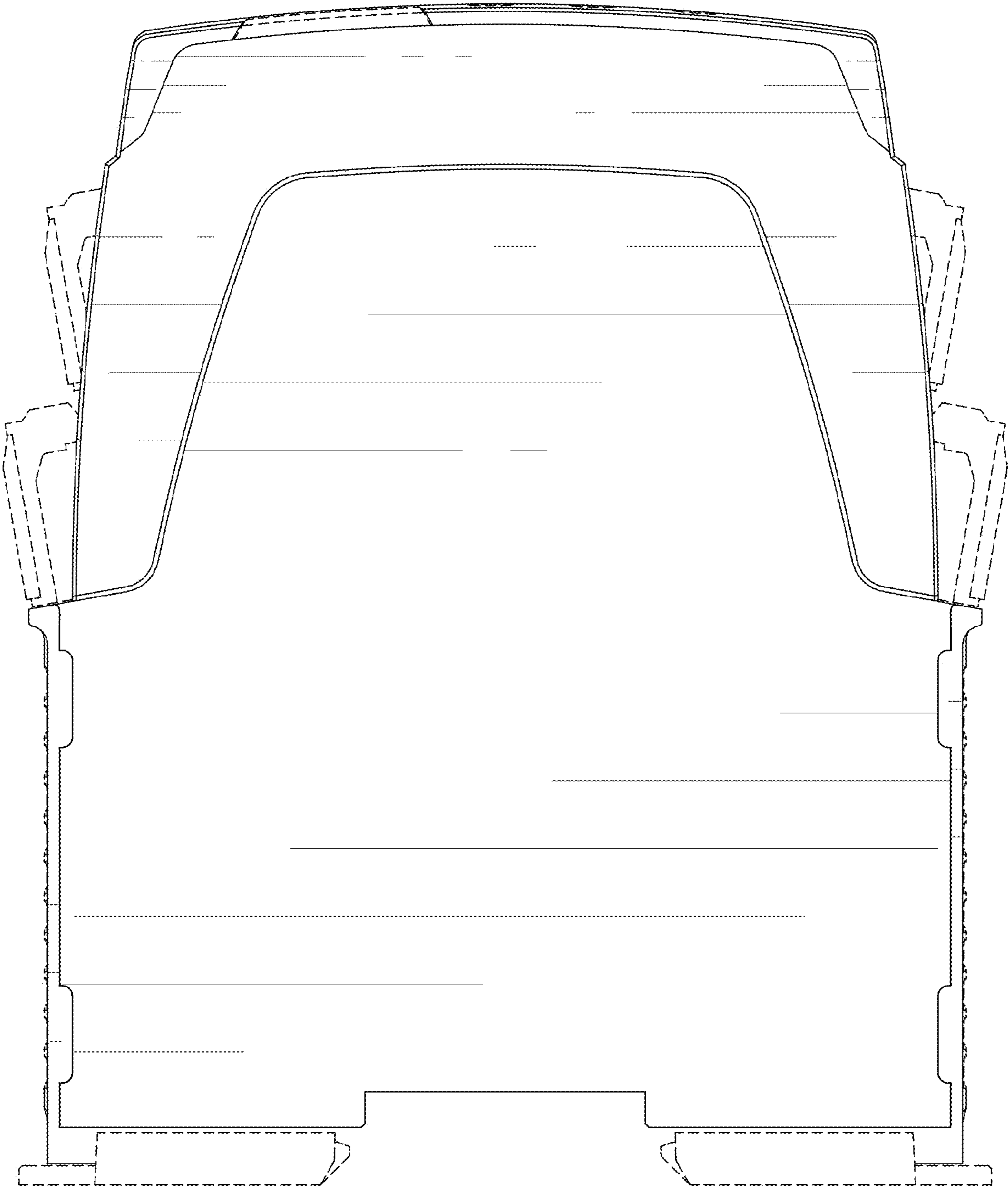


Fig-10

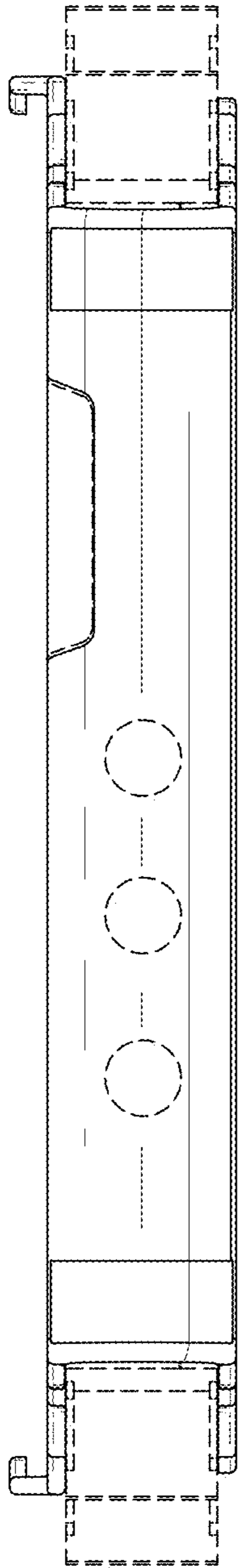


Fig-11

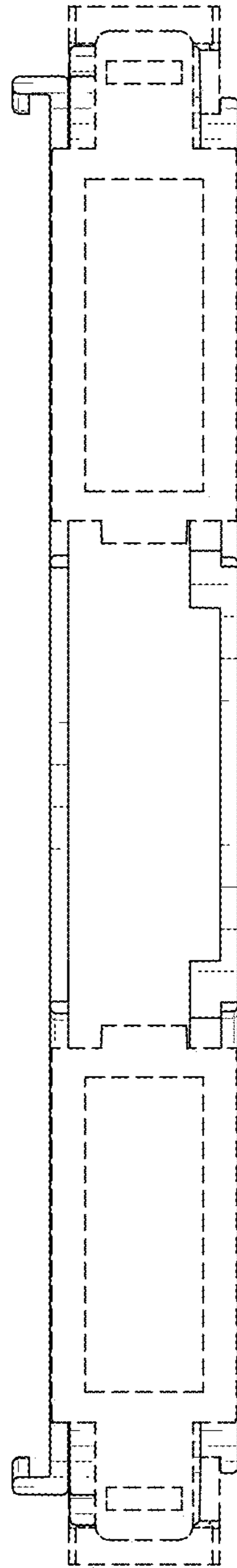


Fig-12

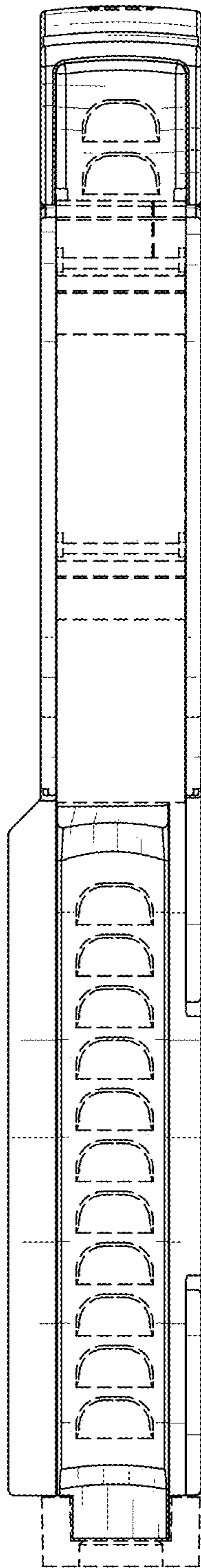


Fig-13

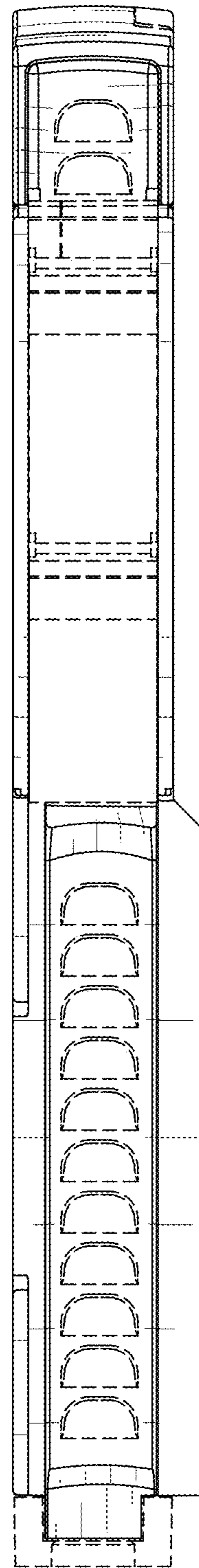


Fig-14