



US00D975655S

(12) **United States Design Patent**
Crites et al.

(10) **Patent No.:** **US D975,655 S**
(45) **Date of Patent:** **** Jan. 17, 2023**

(54) **TERMINAL LAYOUT**

(71) Applicant: **Ademco Inc.**, Golden Valley, MN (US)

(72) Inventors: **Michael Crites**, Minneapolis, MN (US); **Jonathan Erbacher**, Minneapolis, MN (US); **Travis J. Read**, Little Canada, MN (US)

(73) Assignee: **Ademco Inc.**, Golden Valley, MN (US)

(**) Term: **15 Years**

(21) Appl. No.: **29/722,709**

(22) Filed: **Jan. 31, 2020**

(51) **LOC (14) Cl.** **13-03**

(52) **U.S. Cl.**
USPC **D13/147**; D10/60

(58) **Field of Classification Search**
USPC D13/133, 146, 147, 149, 154, 184, 199;
D10/49, 50, 60, 103
CPC H01R 13/14; H01R 13/193; H01R 13/629;
H01R 13/707; H01R 13/73; H01R
13/62933; H01R 12/70; H01R 12/7076;
H01R 4/48; H01H 2201/00; H01H 13/14;
G05D 23/12; H05K 7/12
See application file for complete search history.

(56) **References Cited**

U.S. PATENT DOCUMENTS

D731,332 S * 6/2015 Edgar D10/50
D794,478 S * 8/2017 Read D13/154
9,735,482 B1 8/2017 Read et al.
9,735,518 B1 8/2017 Read et al.
D843,245 S * 3/2019 Read D10/60
D843,324 S * 3/2019 Read D13/154

(Continued)

FOREIGN PATENT DOCUMENTS

IN 323035-001-0001 * 12/2020

OTHER PUBLICATIONS

“T6 Pro Smart Thermostat Multi-Stage 2 Heat/2 Cool”, first accessed Apr. 28, 2022. HoneywellHome.com [https://www.honeywellhome.com/us/en/products/air/thermostats/wifi-thermostats/t6-pro-smart-thermostat-multi-stage-2-heat-2-cool-th6220wf2006-u/] (Year: 2022).*

(Continued)

Primary Examiner — Rosemary K Tarcza

Assistant Examiner — Seth David Kumpf

(74) *Attorney, Agent, or Firm* — Shumaker & Sieffert, P.A.

(57) **CLAIM**

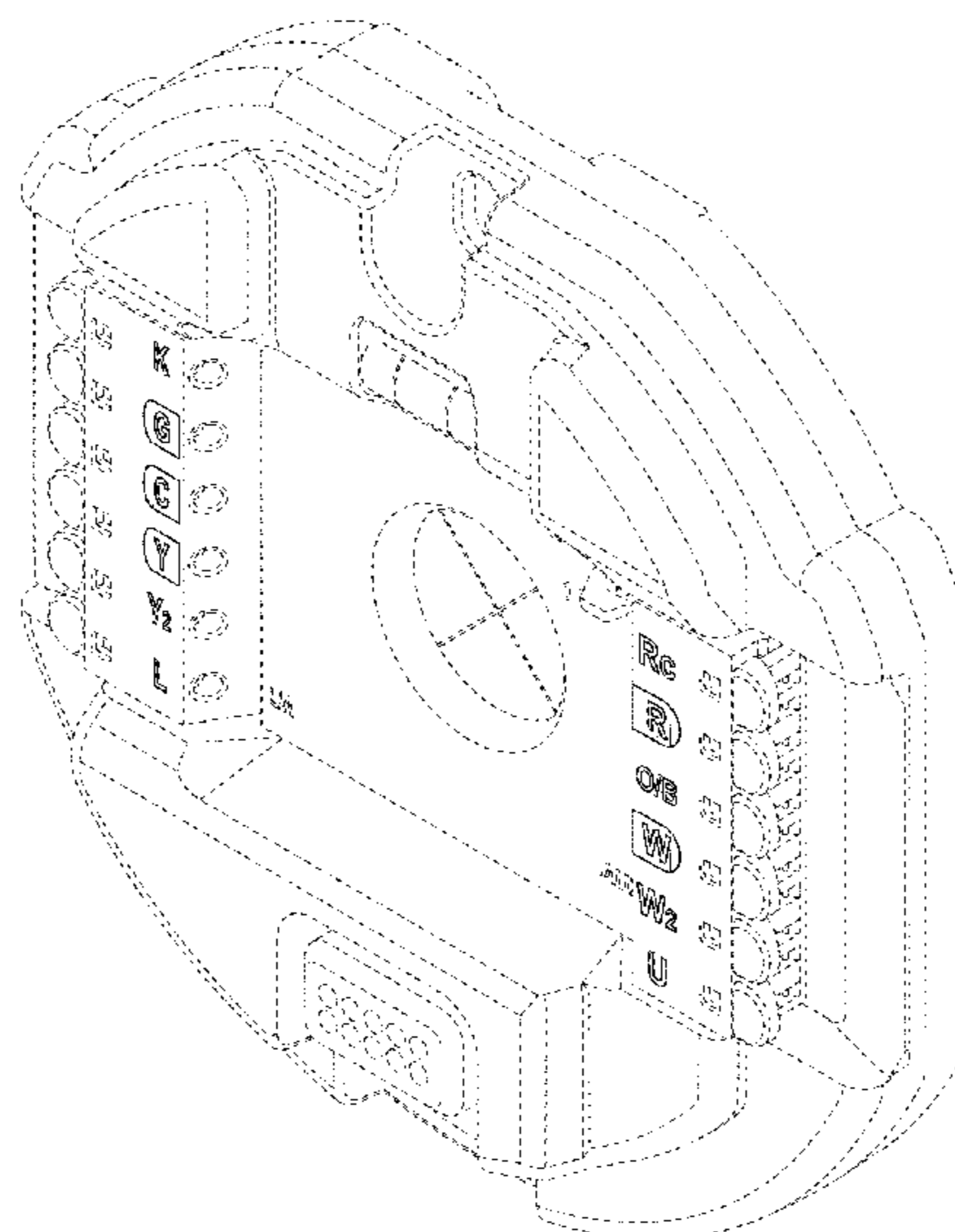
The ornamental design for a terminal layout, as shown and described.

DESCRIPTION

FIG. 1 is a perspective view of a terminal layout according to the present design;
FIG. 2 is a front elevation view of the terminal layout of FIG. 1;
FIG. 3 is a right side elevation view of the terminal layout of FIG. 1;
FIG. 4 is a left side elevation view of the terminal layout of FIG. 1;
FIG. 5 is a top plan view of the terminal layout of FIG. 1;
FIG. 6 is a bottom plan view of the terminal layout of FIG. 1; and,
FIG. 7 is a rear elevation view of the terminal layout of FIG. 1.

The broken lines in the drawings are for the purpose of illustrating portions of the terminal layout that form no part of the claimed design. Surfaces forming part of the claimed design are defined by shaded surfaces. Surface shading (including non-oblique line shading and contour shading) is meant to show contour of represented surfaces and not surface ornamentation. No claim is made to the texture or surface finish of the embodiments shown in the figures.

1 Claim, 7 Drawing Sheets



(56)

References Cited

U.S. PATENT DOCUMENTS

D867,174 S * 11/2019 Read D10/60
11,149,973 B2 * 10/2021 Emmons F24F 11/89

OTHER PUBLICATIONS

U.S. Appl. No. 29/715,632, entitled, "Wall Plate," naming inventors
Erbacher et al., filed Dec. 3, 2019.

* cited by examiner

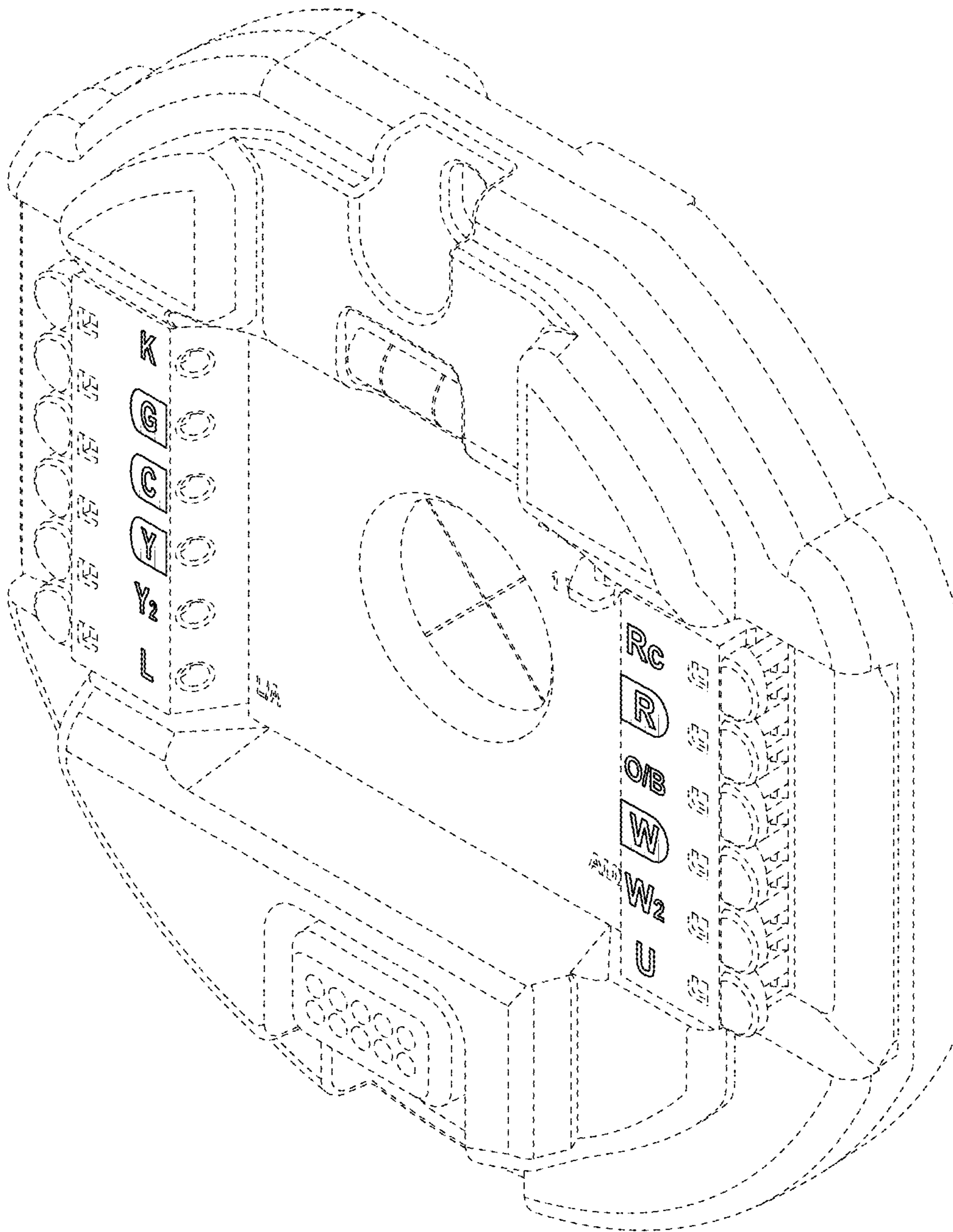


FIG. 1

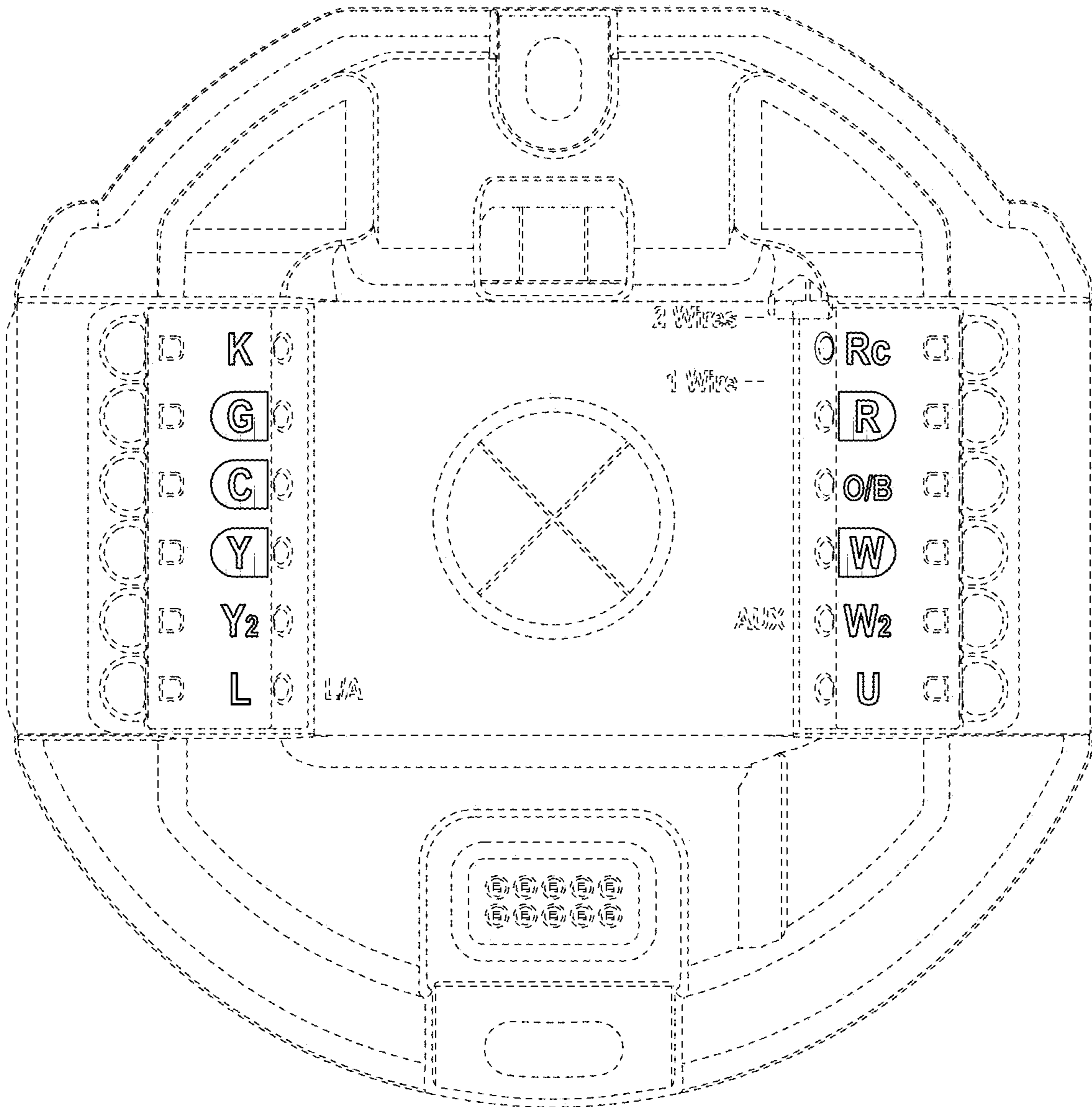


FIG. 2

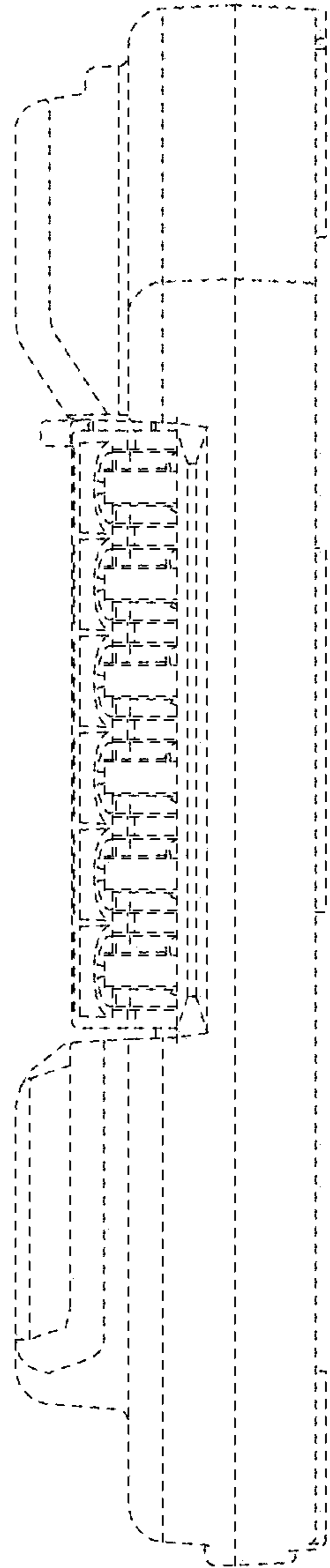


FIG. 3

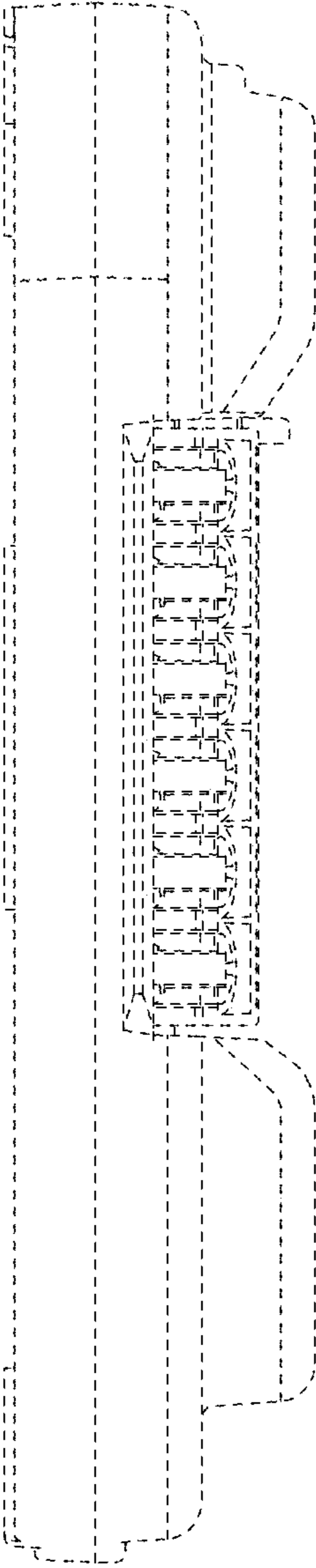


FIG. 4

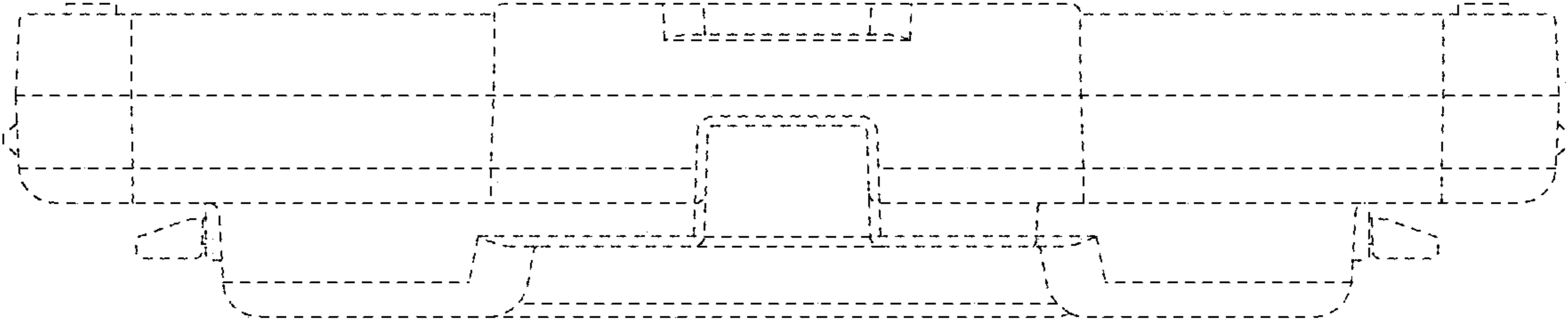


FIG. 5

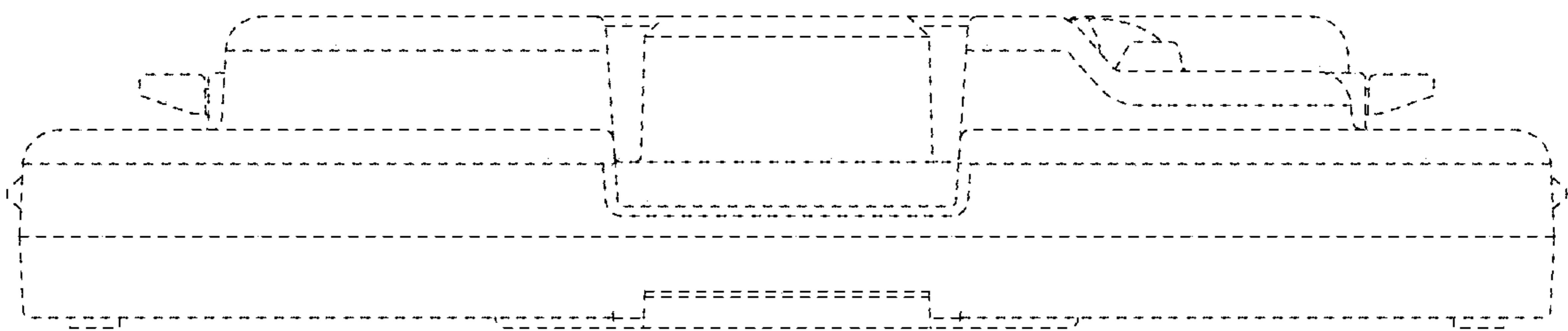


FIG. 6

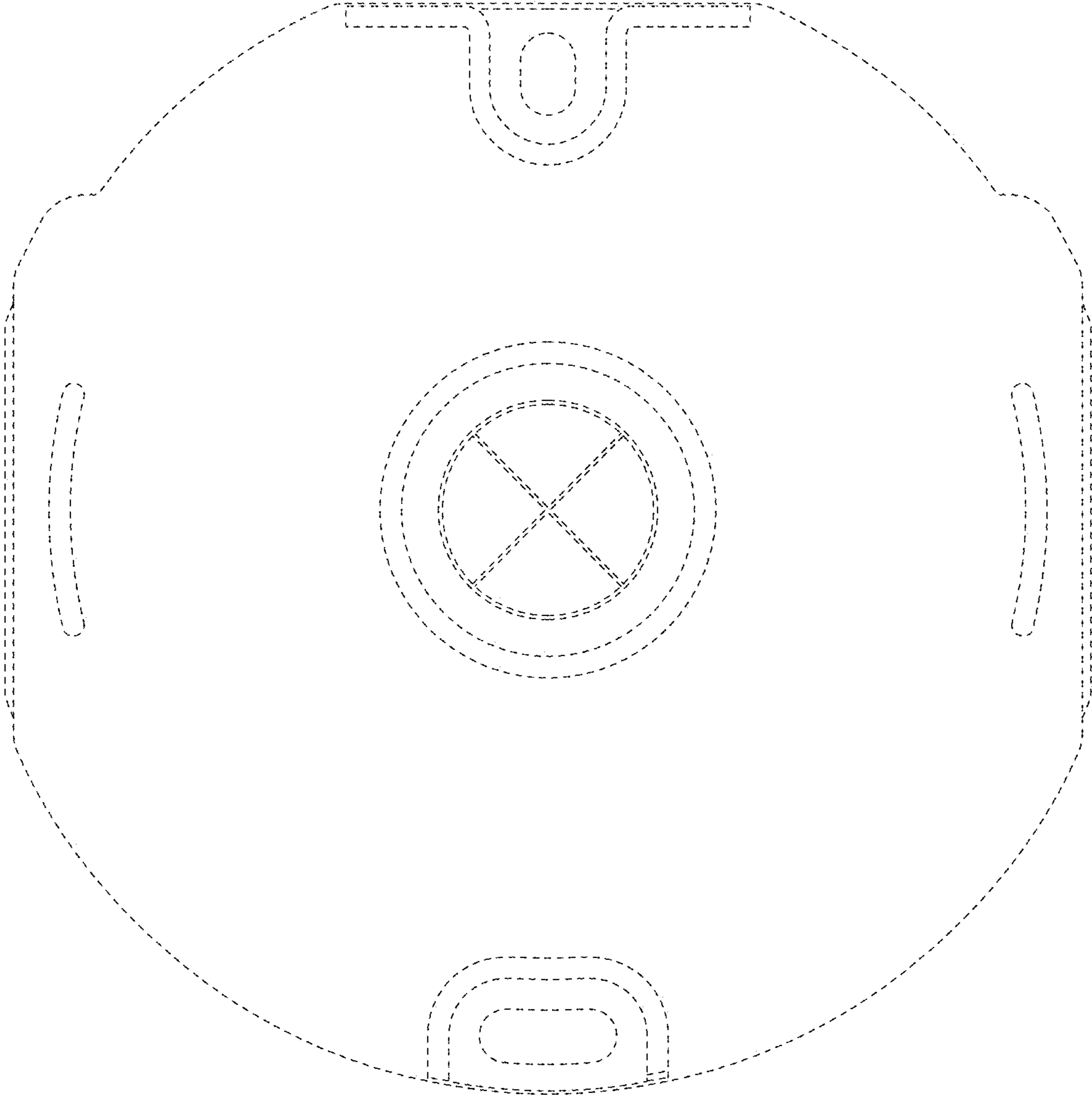


FIG. 7