



US00D975654S

(12) **United States Design Patent**  
**Zhou**

(10) **Patent No.:** **US D975,654 S**  
(45) **Date of Patent:** **\*\* Jan. 17, 2023**

(54) **USB SMART SOCKET**

(71) Applicant: **Zhimin Zhou**, Heping (CN)

(72) Inventor: **Zhimin Zhou**, Heping (CN)

(\*\*) Term: **15 Years**

(21) Appl. No.: **29/747,136**

(22) Filed: **Aug. 20, 2020**

(30) **Foreign Application Priority Data**

Jun. 24, 2020 (CN) ..... 202030330619.5

(51) **LOC (14) Cl.** ..... **13-03**

(52) **U.S. Cl.**

USPC ..... **D13/139.8**

(58) **Field of Classification Search**

USPC ..... D13/107, 108, 110, 137.1, 137.2, 137.3,  
D13/137.4, 138.1, 138.2, 139.1, 139.2,  
D13/139.3, 139.4, 139.5, 139.6, 139.7,  
D13/139.8, 146, 151, 152, 153, 154, 158,  
D13/159, 160, 161, 162, 162.1, 163, 164,  
D13/165, 166, 167, 168, 169, 171, 172,  
D13/173, 174, 175, 176, 177, 178, 179,  
D13/184, 199

CPC ..... H01R 13/00; H01R 13/03; H01R 13/04;  
H01R 13/10; H01R 13/35; H01R 13/44;  
H01R 13/46; H01R 13/453; H01R  
13/4534; H01R 13/502; H01R 13/506;  
H01R 13/514; H01R 13/518; H01R  
13/6272; H01R 13/631; H01R 13/639;  
H01R 13/652; H01R 13/665; H01R  
13/6633; H01R 13/6666; H01R 13/6675;  
H01R 13/7135; H01R 31/02; H01R  
31/06; H01R 31/065; H01R 25/00; H01R  
25/006; H01R 9/00; H01R 11/00; H01R  
35/04; H01R 2201/06; H01H 2207/00;  
H01H 2207/022; H01H

(Continued)

(56) **References Cited**

U.S. PATENT DOCUMENTS

D585,842 S \* 2/2009 Kagami ..... D13/158  
D585,843 S \* 2/2009 Sakaguchi ..... D13/158  
D640,199 S \* 6/2011 Wilson ..... D13/139.7

(Continued)

FOREIGN PATENT DOCUMENTS

CN 305649876 \* 3/2020  
CN 306155369 \* 11/2020

(Continued)

OTHER PUBLICATIONS

“Echo Dot (2nd Generation)—Smart speaker with Alexa—Black”,  
first accessed Jun. 9, 2022. Amazon.com [https://www.amazon.com/  
dp/B01DFKC2SO] (Year: 2022).\*

(Continued)

*Primary Examiner* — Rosemary K Tarcza

*Assistant Examiner* — Seth David Kumpf

(74) *Attorney, Agent, or Firm* — Rumit Ranjit Kanakia

(57) **CLAIM**

The ornamental design for a USB smart socket, as shown  
and described.

**DESCRIPTION**

FIG. 1 is a first perspective view of a USB smart socket  
showing my new design;

FIG. 2 is a second perspective view thereof;

FIG. 3 is a front view thereof;

FIG. 4 is a back view thereof;

FIG. 5 is a left side view thereof;

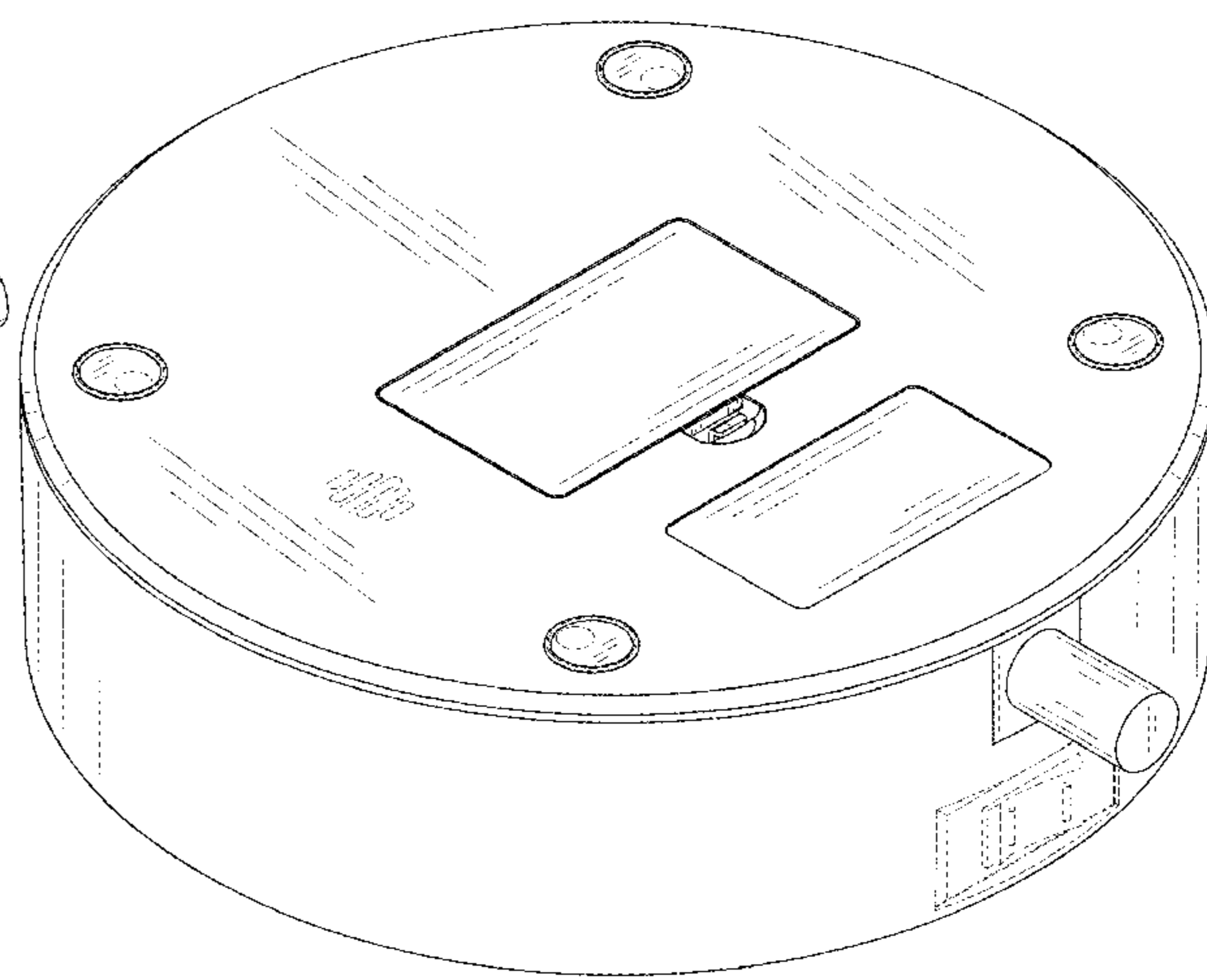
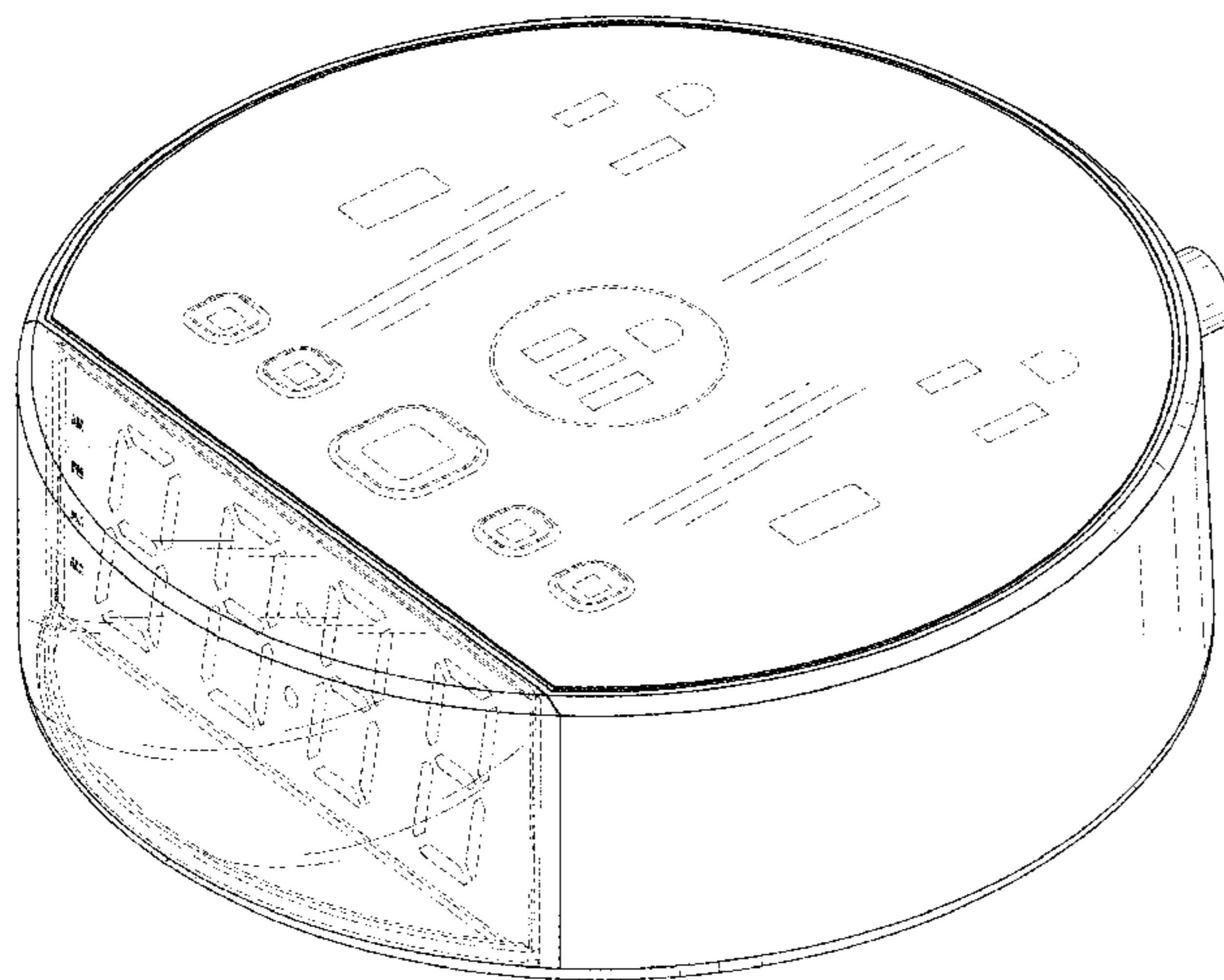
FIG. 6 is a right side view thereof;

FIG. 7 is a top view thereof; and,

FIG. 8 is a bottom view thereof.

The broken lines shown in the drawings depict portions of  
the USB smart socket in which the design is embodied that  
form no part of the claimed design.

**1 Claim, 8 Drawing Sheets**



(58) **Field of Classification Search**

CPC ..... 2203/00; H05K 5/00; H05K 5/03; H02G  
3/088

See application file for complete search history.

(56) **References Cited**

U.S. PATENT DOCUMENTS

D796,442 S \* 9/2017 Xu ..... D13/139.6  
D810,026 S \* 2/2018 Gubbins ..... D13/139.6  
D810,687 S \* 2/2018 Gubbins ..... D13/139.6  
D812,559 S \* 3/2018 Xu ..... D13/107  
D846,500 S \* 4/2019 Xu ..... D13/137.4  
D850,367 S \* 6/2019 Xiong ..... D14/434  
D896,751 S \* 9/2020 Ebrahimi Afrouzi ..... D13/110  
D919,577 S \* 5/2021 Alexander ..... D13/139.4  
D920,905 S \* 6/2021 Huang ..... D13/107  
D931,207 S \* 9/2021 Briggs ..... D3/294  
D953,272 S \* 5/2022 Chen ..... D13/139.7

FOREIGN PATENT DOCUMENTS

CN 306289309 \* 2/2021  
CN 307276459 \* 4/2022

OTHER PUBLICATIONS

“RCA® AM/FM Alarm Clock With Red LED And Dual Wake, Black (AVXRC205)”, first accessed Jun. 9, 2022. Quill.com [[https://www.quill.com/rca-am-fm-alarm-clock-red-led-dual-wake-black-avxrc205/cbs/55418686.html?effort\\_code=369&sfcp=1&gclsrc=aw.ds&&cm\\_mm%E2%80%A6](https://www.quill.com/rca-am-fm-alarm-clock-red-led-dual-wake-black-avxrc205/cbs/55418686.html?effort_code=369&sfcp=1&gclsrc=aw.ds&&cm_mm%E2%80%A6)] (Year: 2022).\*

\* cited by examiner

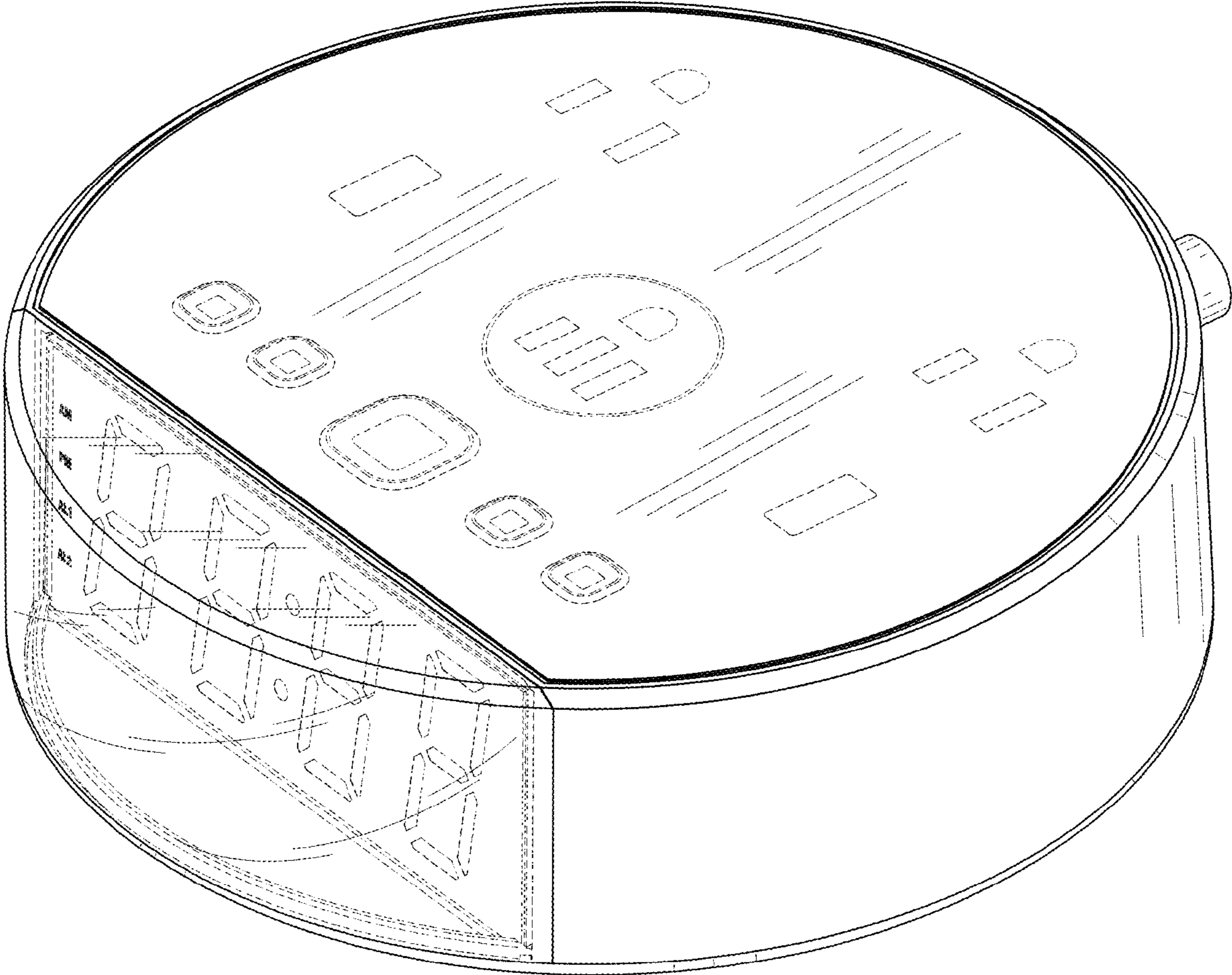


FIG. 1

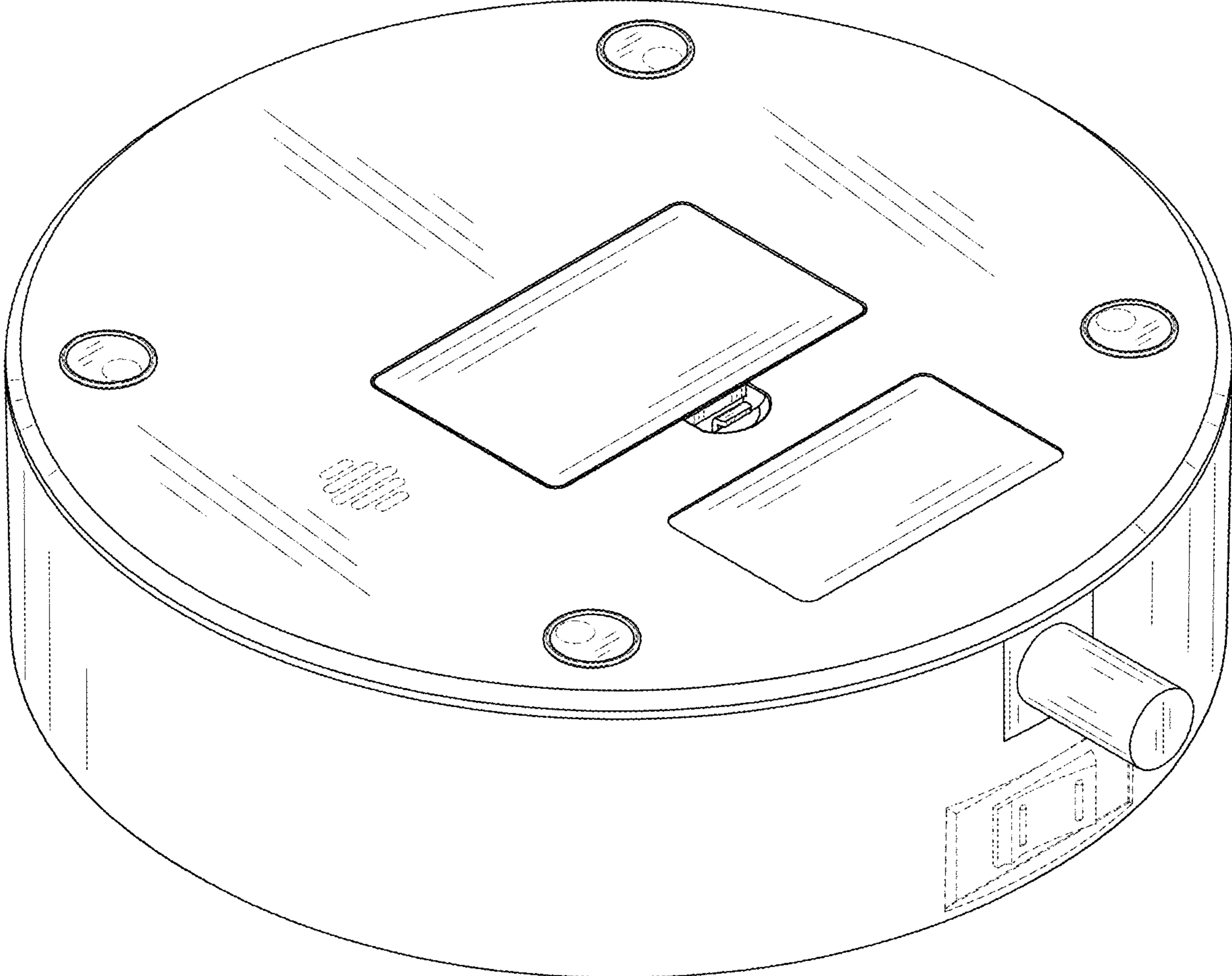


FIG. 2

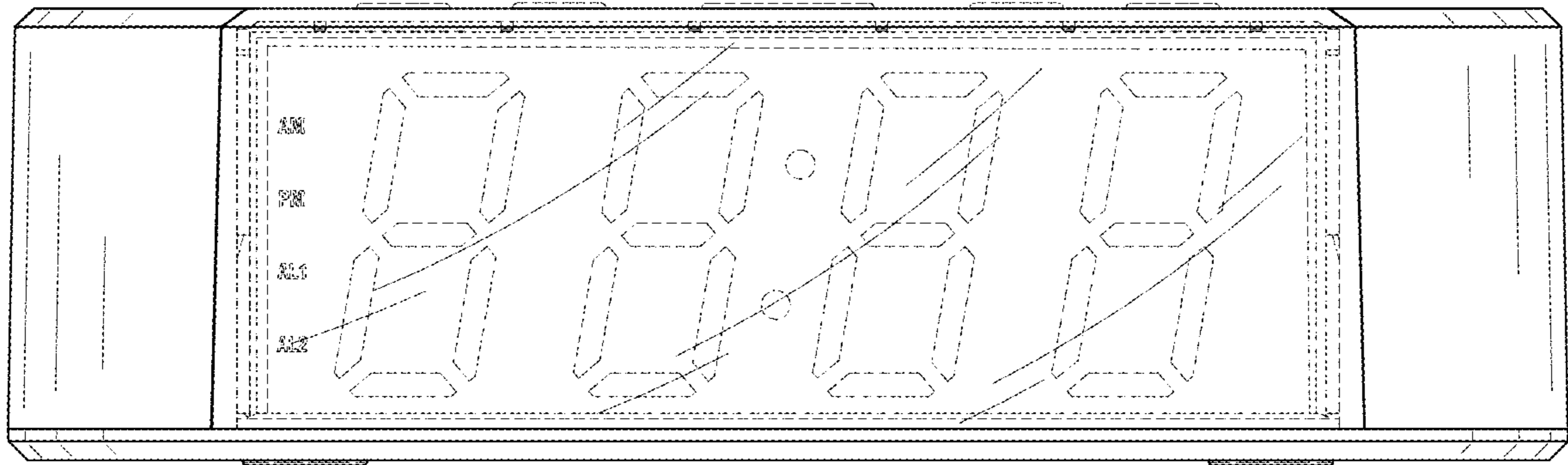


FIG. 3

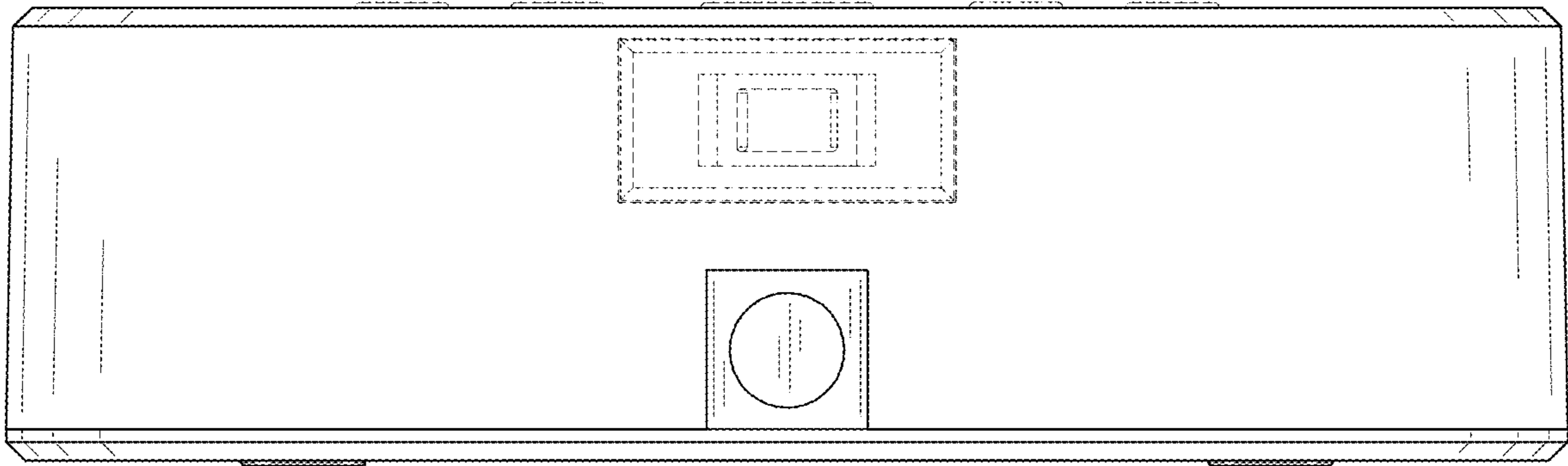


FIG. 4

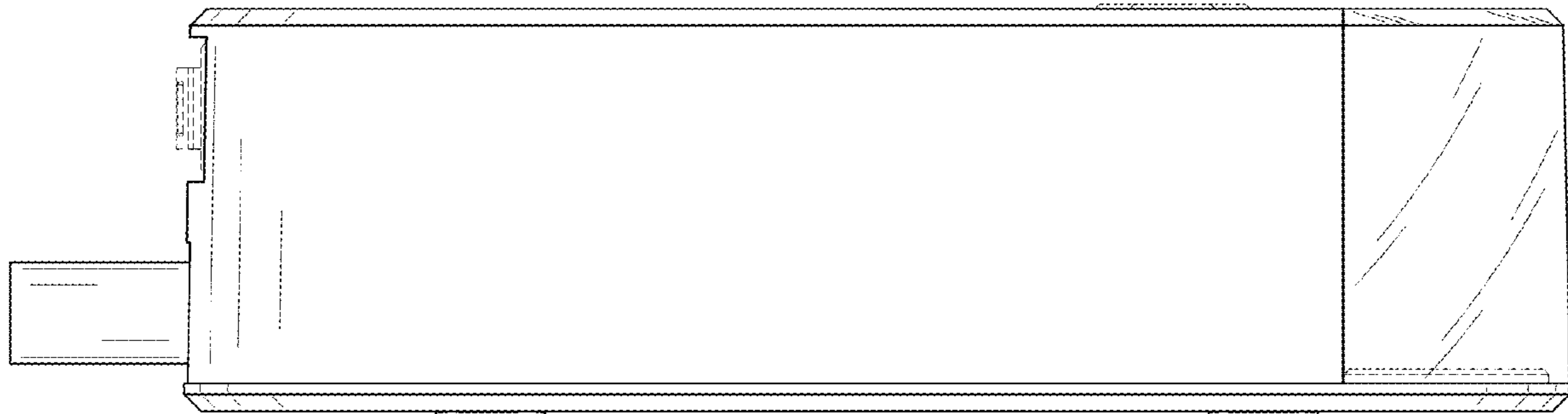


FIG. 5

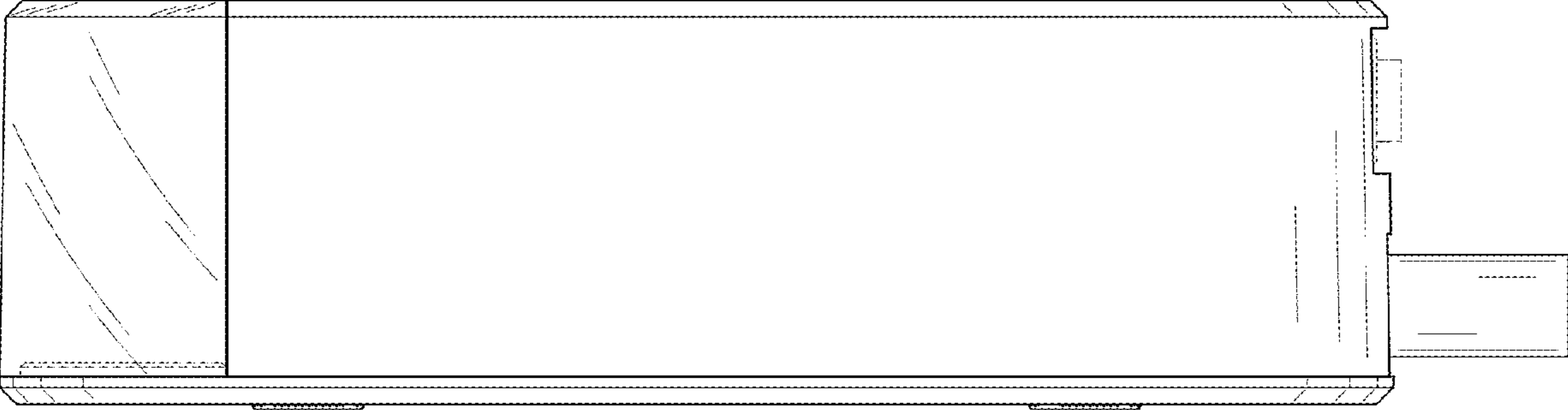


FIG. 6



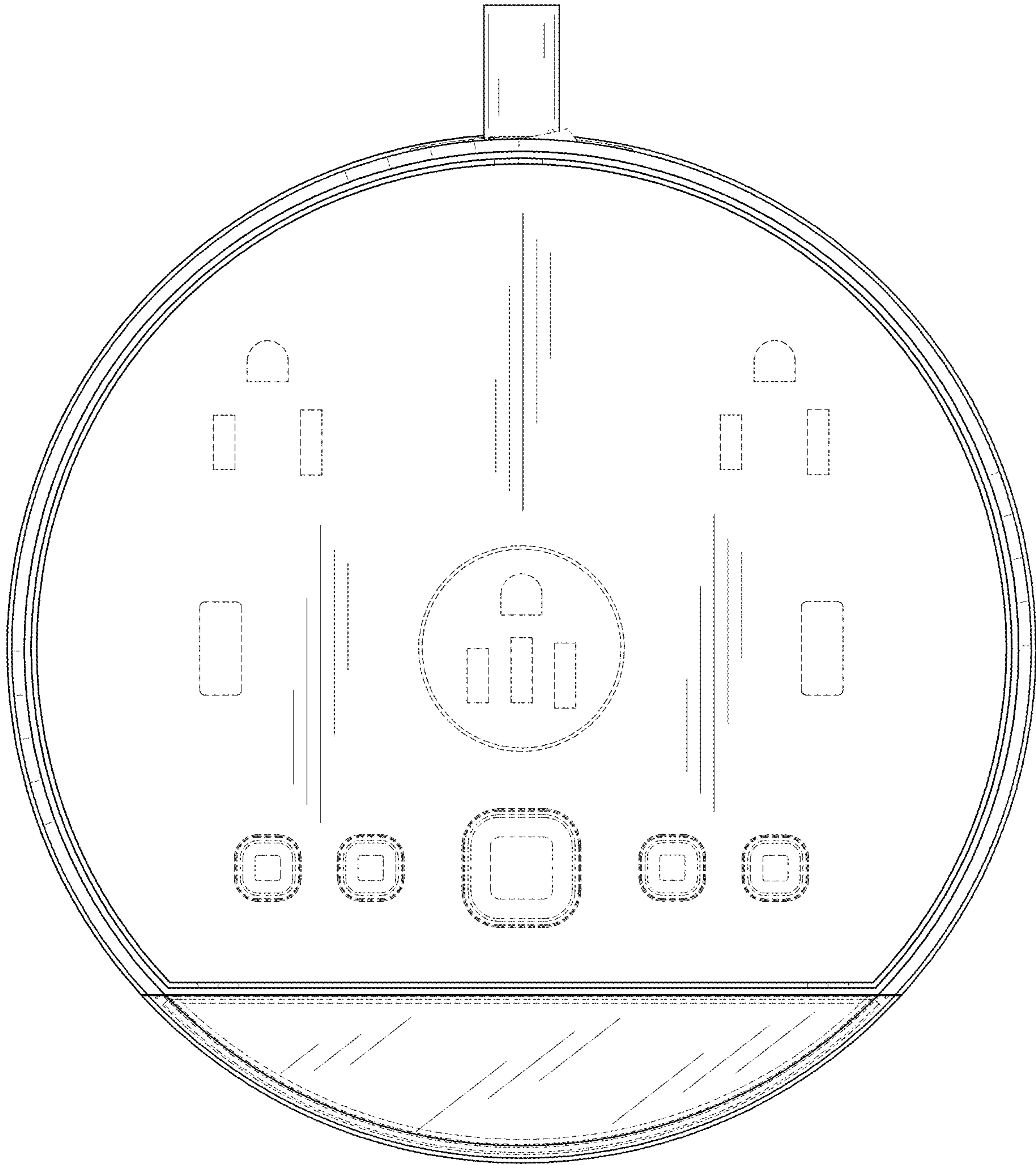


FIG. 7

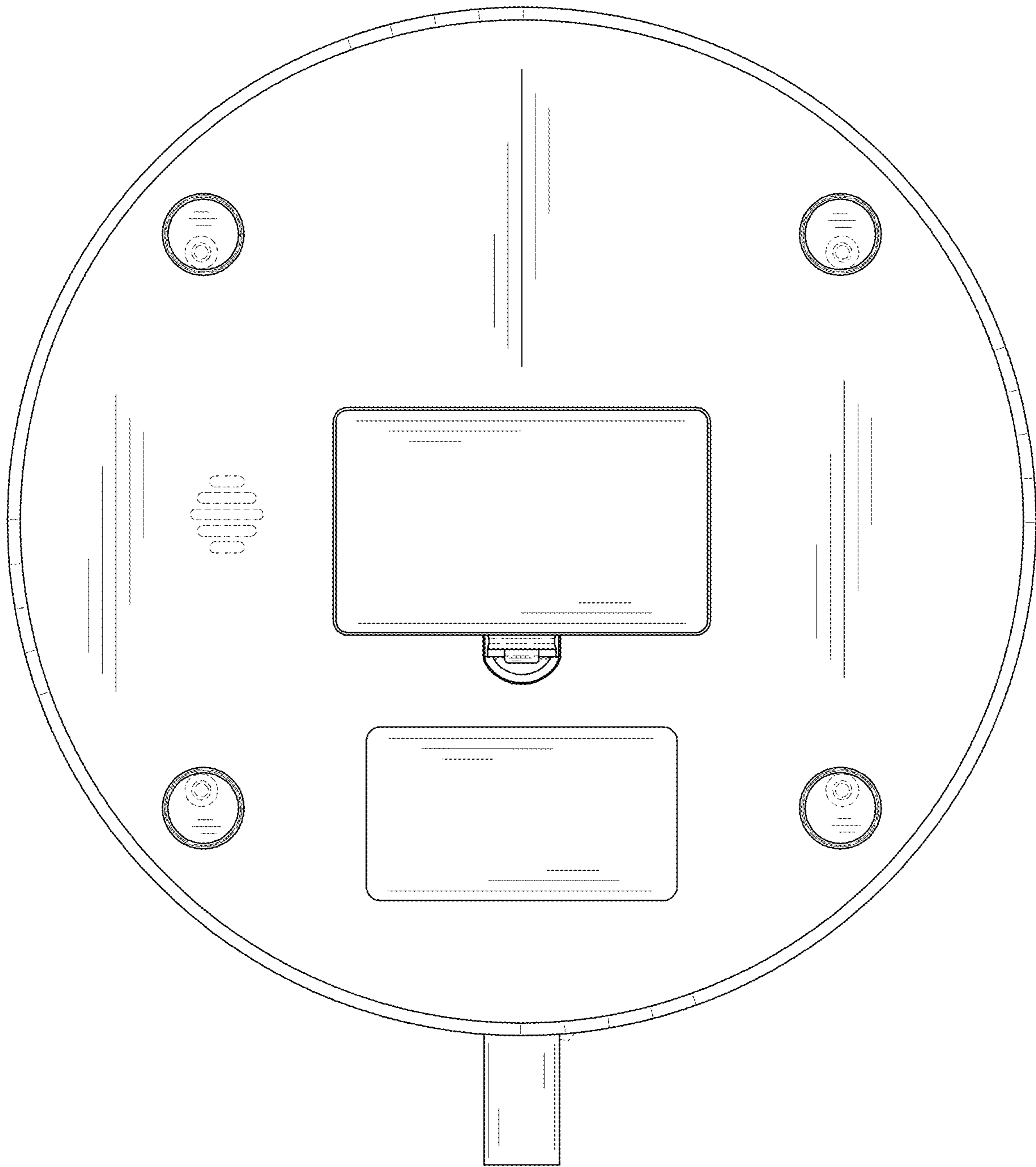


FIG. 8