

US00D975653S

(12) **United States Design Patent** (10) **Patent No.:** **US D975,653 S**
Su (45) **Date of Patent:** **** Jan. 17, 2023**

(54) **RV ELECTRICAL ADAPTER**

FOREIGN PATENT DOCUMENTS

(71) Applicant: **Peng Su**, Zhejiang (CN)

CN 306915034 * 11/2021
CN 307094507 * 2/2022

(72) Inventor: **Peng Su**, Zhejiang (CN)

OTHER PUBLICATIONS

(73) Assignee: **HANGZHOU SWEET I&E CO., LTD.**, Zhejiang (CN)

“30 Amp to 30 Amp RV Adapter Cord with Locking Connector Plug, GearIT 30Amp Male to 30Amp Female Dogbone RV Trailer Camper, NEMA TT-30P to L5-30R, STW 10 Gauge Heavy Duty Electrical Power—12in, 1ft”, first available Jan. 18, 2020. Amazon.com [https://www.amazon.com/dp/B07ZL4XQ4Q] (Year: 2020).*

(**) Term: **15 Years**

(Continued)

(21) Appl. No.: **29/732,617**

(22) Filed: **Apr. 27, 2020**

Primary Examiner — Rosemary K Tarcza

(51) **LOC (14) Cl.** **13-03**

Assistant Examiner — Seth David Kumpf

(52) **U.S. Cl.**

(57) **CLAIM**

USPC **D13/137.4**

The ornamental design for a RV electrical adapter, as shown and described.

(58) **Field of Classification Search**

DESCRIPTION

USPC ... D13/123, 133, 137.1, 137.2, 137.3, 137.4, D13/138.1, 138.2, 139.1, 139.2, 139.3, D13/139.4, 139.5, 139.6, 139.7, 139.8, D13/151, 152, 153, 154, 155, 156, 157, D13/158, 159, 184, 199, 103, 107, 108, D13/110

FIG. 1 is a perspective view of a RV electrical adapter showing my new design;
FIG. 2 is a front elevation view thereof;
FIG. 3 is a rear elevation view thereof;
FIG. 4 is a left side elevation view thereof;
FIG. 5 is a right side elevation view thereof;
FIG. 6 is a top plan view thereof, shown enlarged in scale;
FIG. 7 is a bottom plan view thereof, shown enlarged in scale;
FIG. 8 is an enlarged detail view of the encircled area 8, shown in FIG. 5; and,
FIG. 9 is another enlarged detail view of the encircled area 9, shown in FIG. 5.

CPC H01R 13/00; H01R 13/03; H01R 13/04; H01R 13/10; H01R 13/35; H01R 13/44; H01R 13/453; H01R 13/4534; H01R 13/502; H01R 13/514; H01R 13/631; H01R 13/639; H01R 13/6633; H01R 13/6666; H01R 13/6675; H01R 13/7135; H01R 31/02; H01R 31/06; H01R 31/065

See application file for complete search history.

(56) **References Cited**

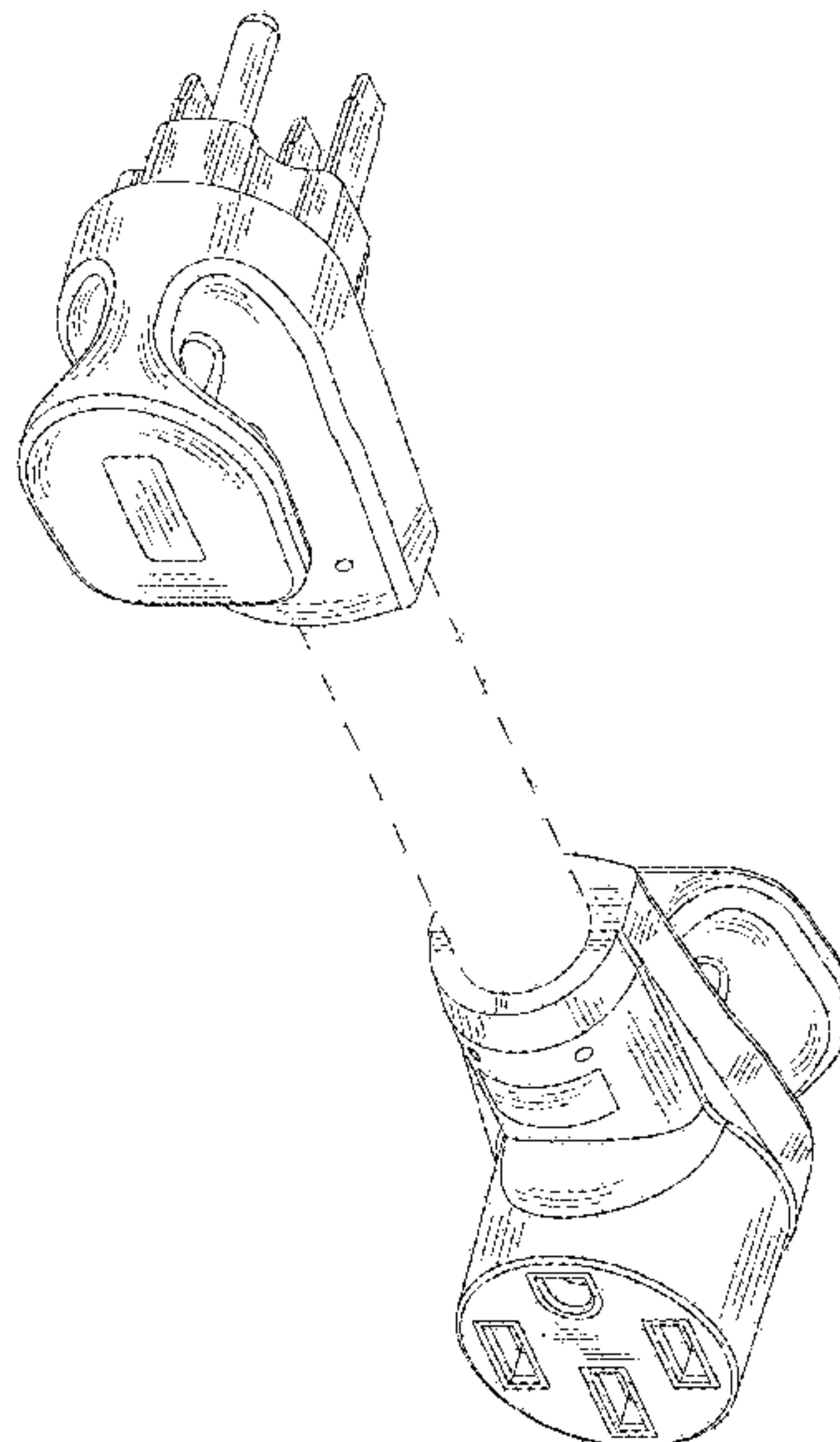
The broken lines shown in the drawings illustrate portions of the RV electrical adapter that form no part of the claimed design. The broken lines encircling the detail portions in FIGS. 5, 8, and 9 illustrate the boundaries of the detail portions, and form no part of the claimed design.

U.S. PATENT DOCUMENTS

D297,231 S * 8/1988 Rasnake D10/80
D425,860 S * 5/2000 Goto D13/133
D448,734 S * 10/2001 Nakashima D13/153
D466,867 S * 12/2002 Krobusek D13/137.4

(Continued)

1 Claim, 9 Drawing Sheets



(56)

References Cited

U.S. PATENT DOCUMENTS

D479,826	S	*	9/2003	Verfuertth	D13/146
D549,651	S	*	8/2007	Mancari	D13/138.2
D592,141	S	*	5/2009	Mancari	D13/139.1
D602,434	S	*	10/2009	Mancari	D13/139.1
D635,515	S	*	4/2011	Atwell	D13/138.2
D635,937	S	*	4/2011	Aromin	D13/160
D638,359	S	*	5/2011	Atwell	D13/138.2
D651,175	S	*	12/2011	Liang-Hsu	D13/139.1
D660,236	S	*	5/2012	Liang-Hsu	D13/139.1
D720,300	S	*	12/2014	Lee	D13/153
D726,114	S	*	4/2015	Nook	D13/133
D737,774	S	*	9/2015	Zhu	D13/138.1
D860,947	S	*	9/2019	Sumida	D13/137.2
D903,599	S	*	12/2020	Hansen	D13/133
D914,609	S	*	3/2021	Mi	D13/137.4
D941,772	S	*	1/2022	Mi	D13/137.4
D943,527	S	*	2/2022	Su	D13/110

OTHER PUBLICATIONS

“Camco (55165) Heavy Duty RV Dogbone Electrical Adapter with Innovative 180 Degree Bend Design and Easy PowerGrip Handle—15 Amp Male to 30 Amp Female, 12", Black”, first available Sep. 14, 2005. Amazon.com [<https://www.amazon.com/dp/B000BUU5YA>] (Year: 2005).*

“CircleCord 30 Amp to 15 Amp 110 RV Adapter Cord, NEMA 5-15P Male to TT-30R Female Electrical Power Dogbone with Grip Handle, Heavy Duty STW 10 Gauge for RV Trailer Camper”, first available Dec. 26, 2020. Amazon.com [<https://www.amazon.com/dp/B08RBKQ1JG>] (Year: 2020).*

“ParkPower by Marinco 50 Amp, 125/250V Locking W/Sealing Collar Male Plug to 50 Amp, 125/250V Locking Female Side Yellow Right Angle Adapter”, first available Nov. 12, 2009. Amazon.com [<https://www.amazon.com/dp/B002XLHNAY>] (Year: 2009).*

* cited by examiner

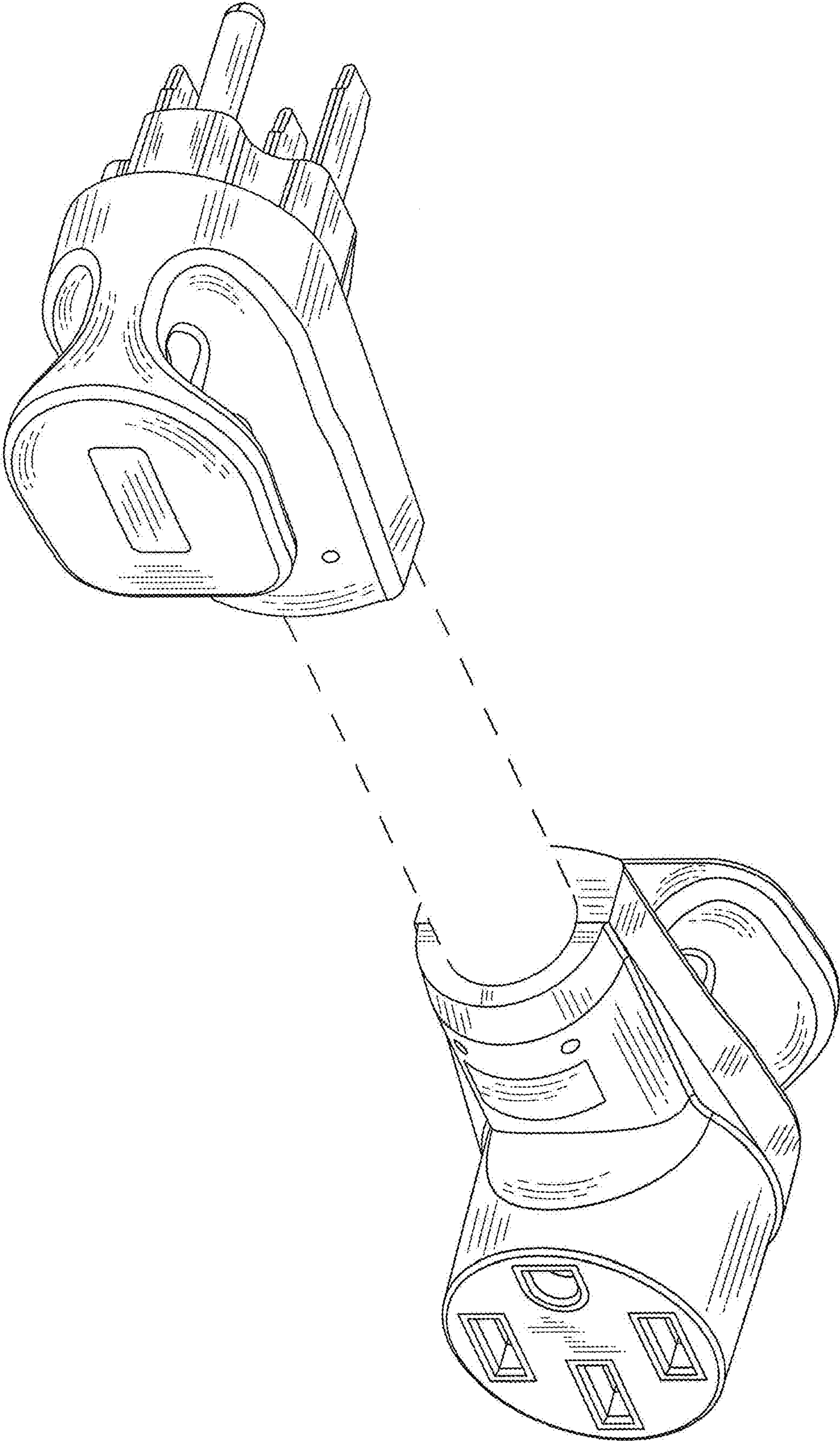


FIG. 1

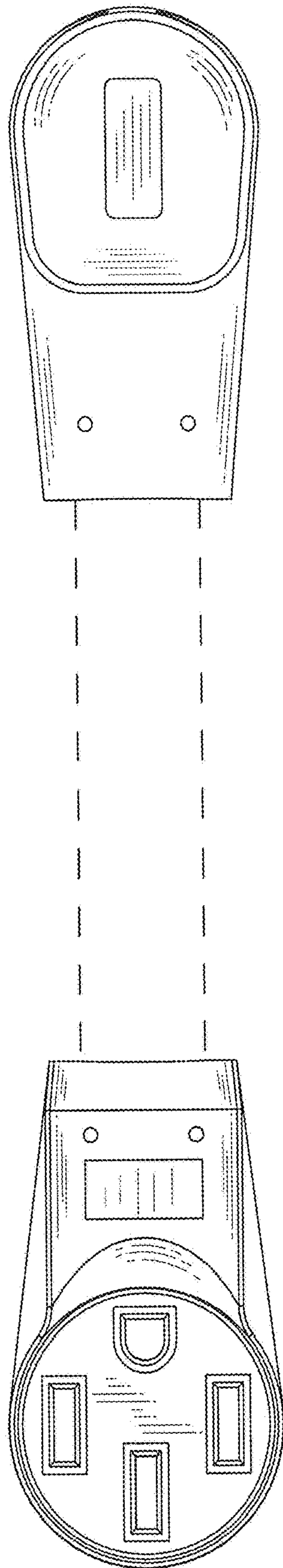


FIG. 2

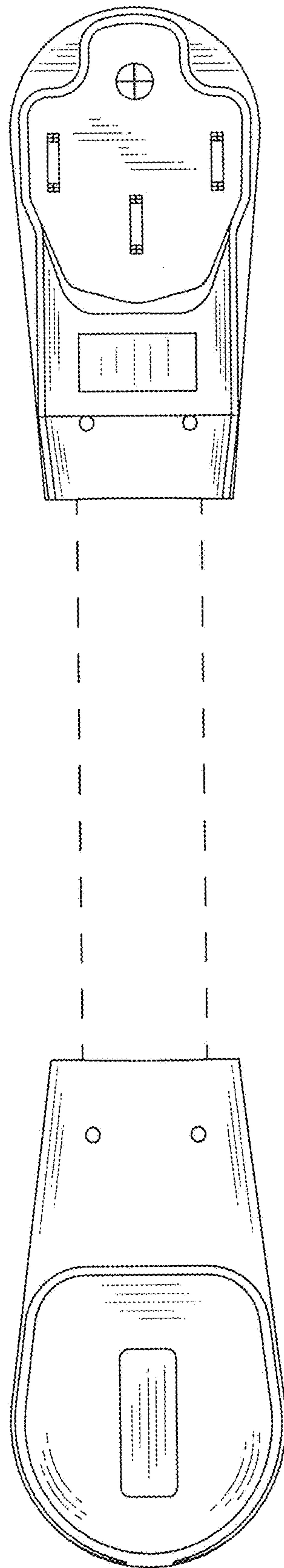


FIG. 3

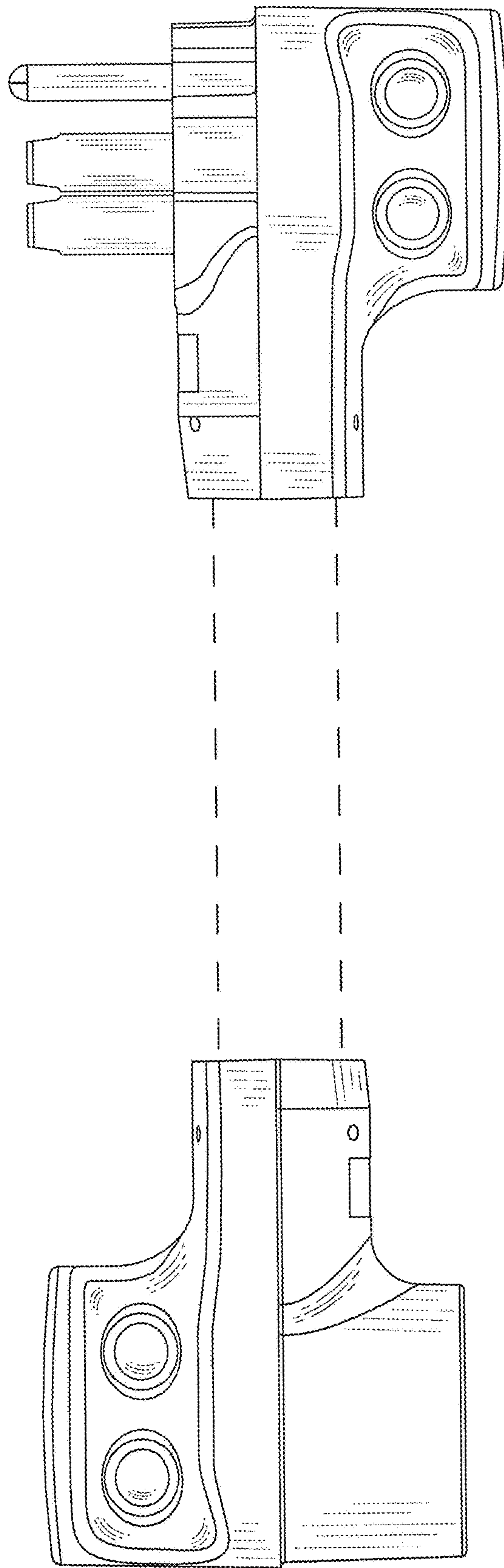


FIG. 4

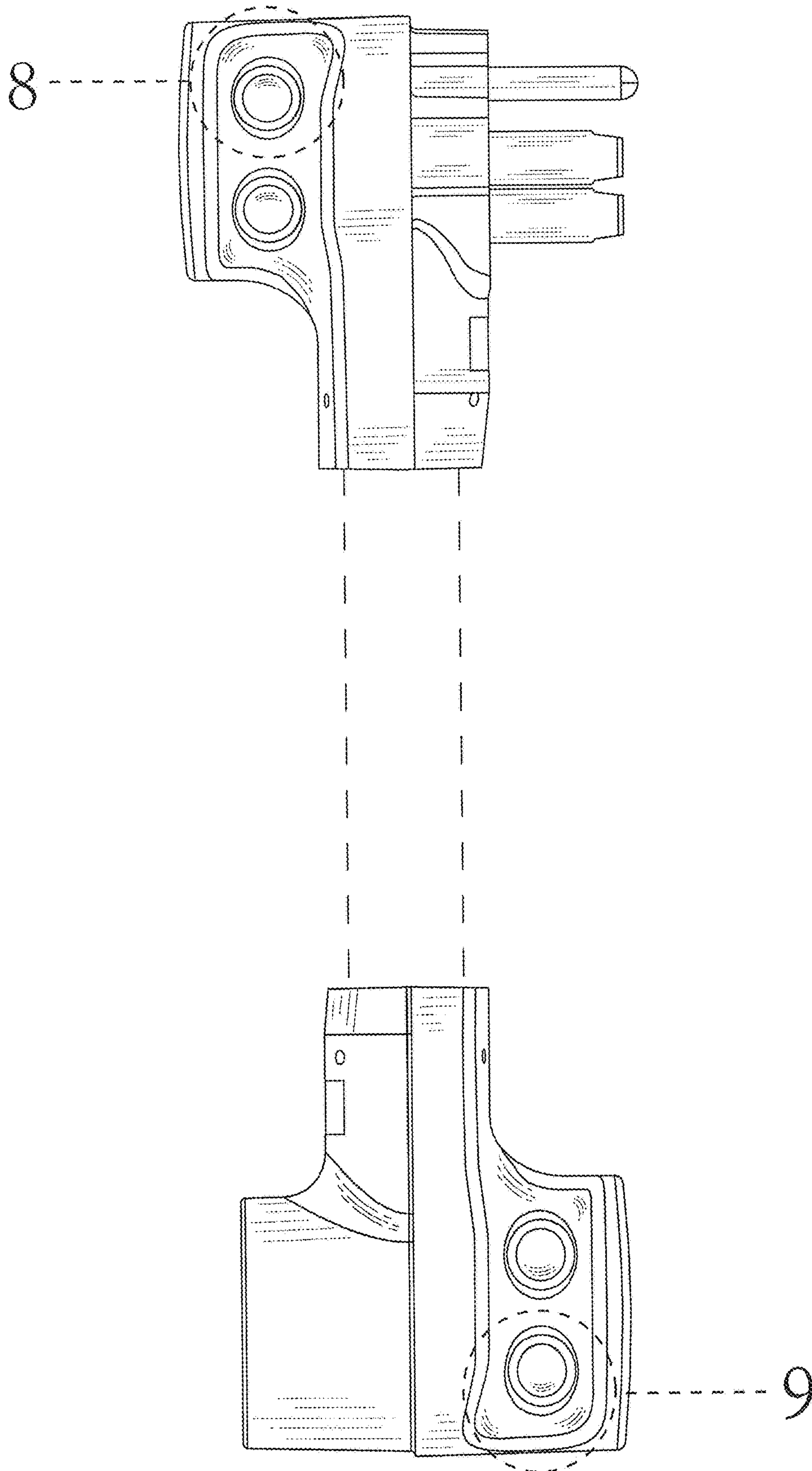


FIG. 5

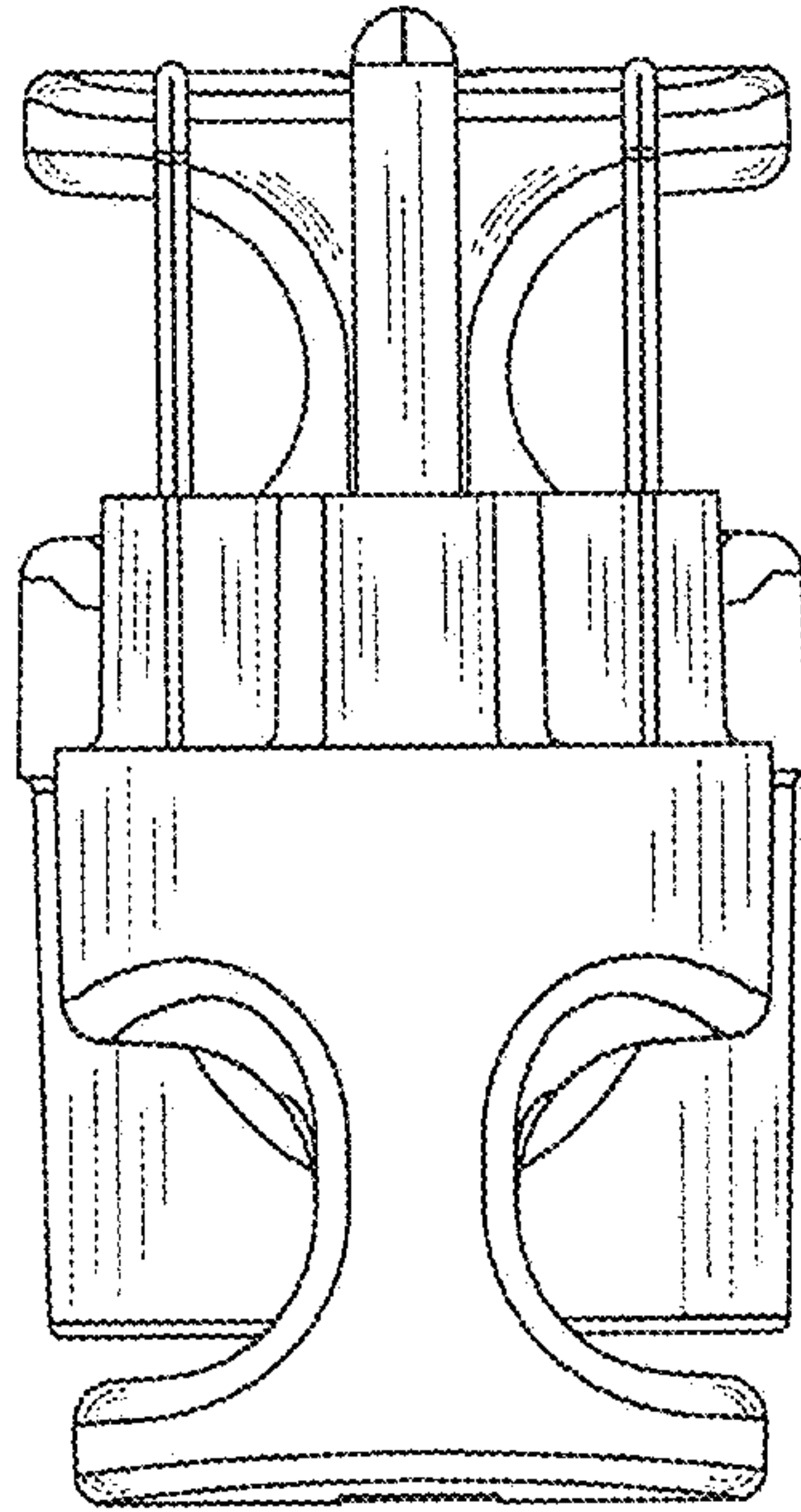


FIG. 6

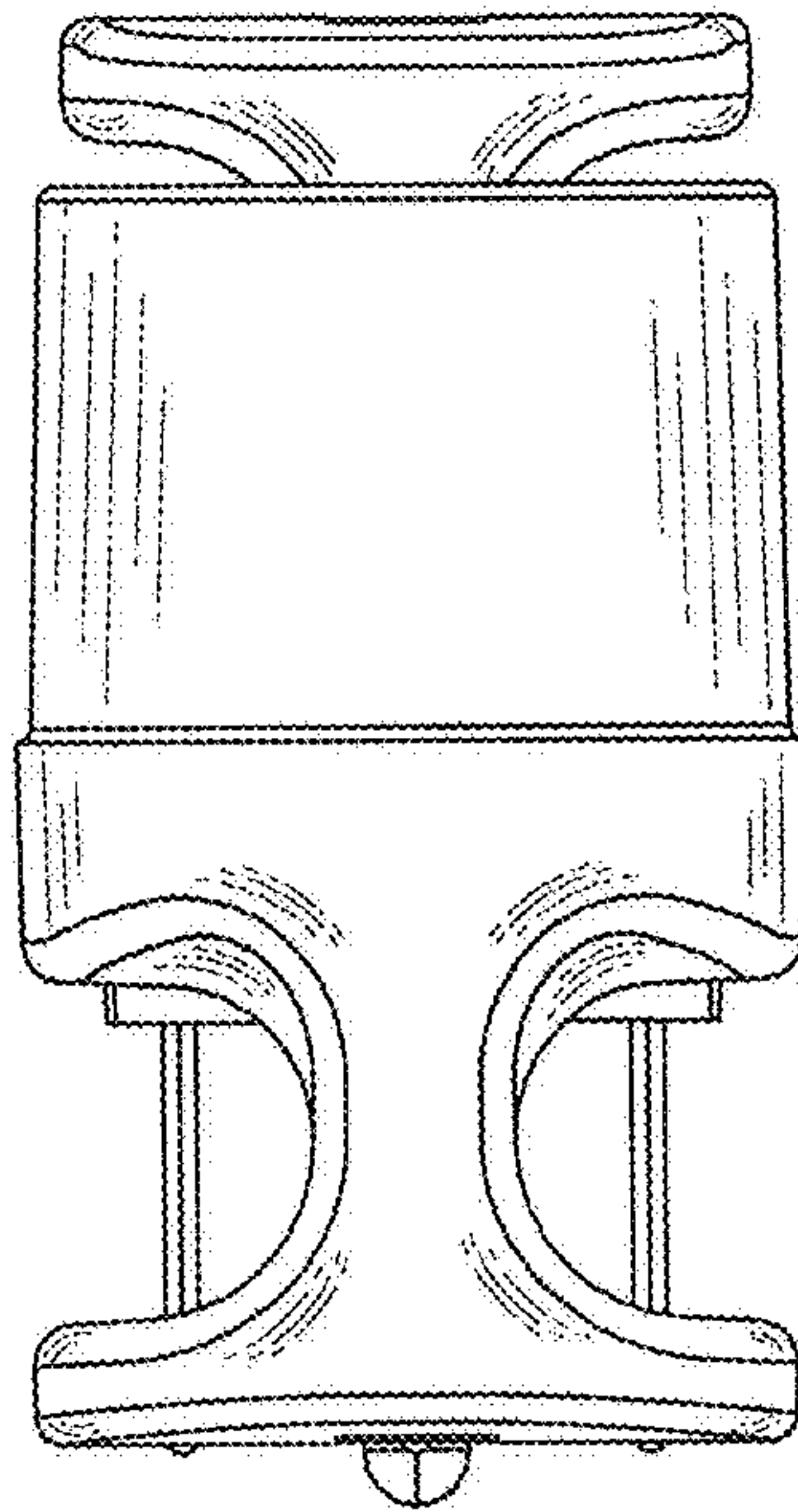


FIG. 7

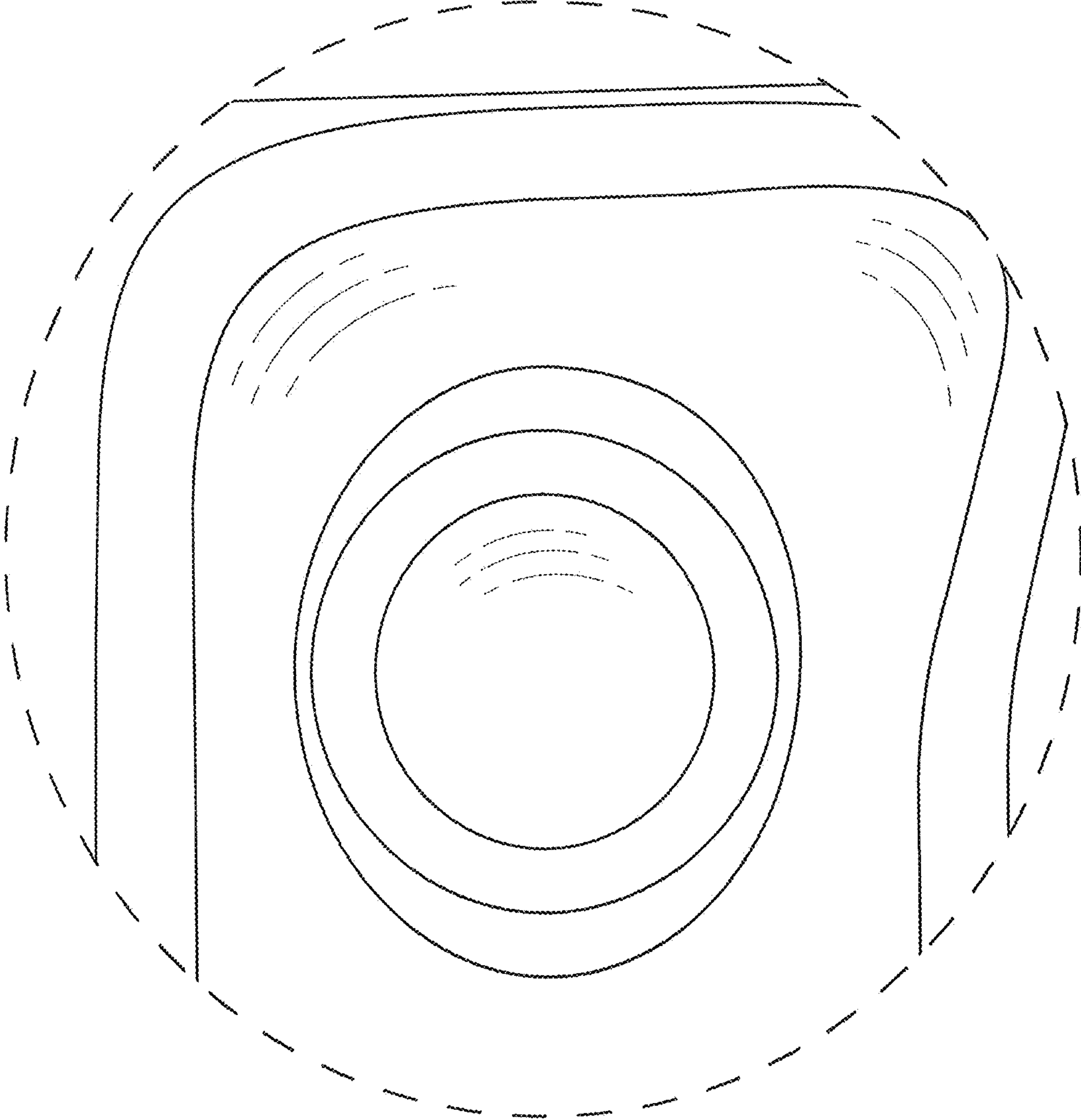


FIG. 8

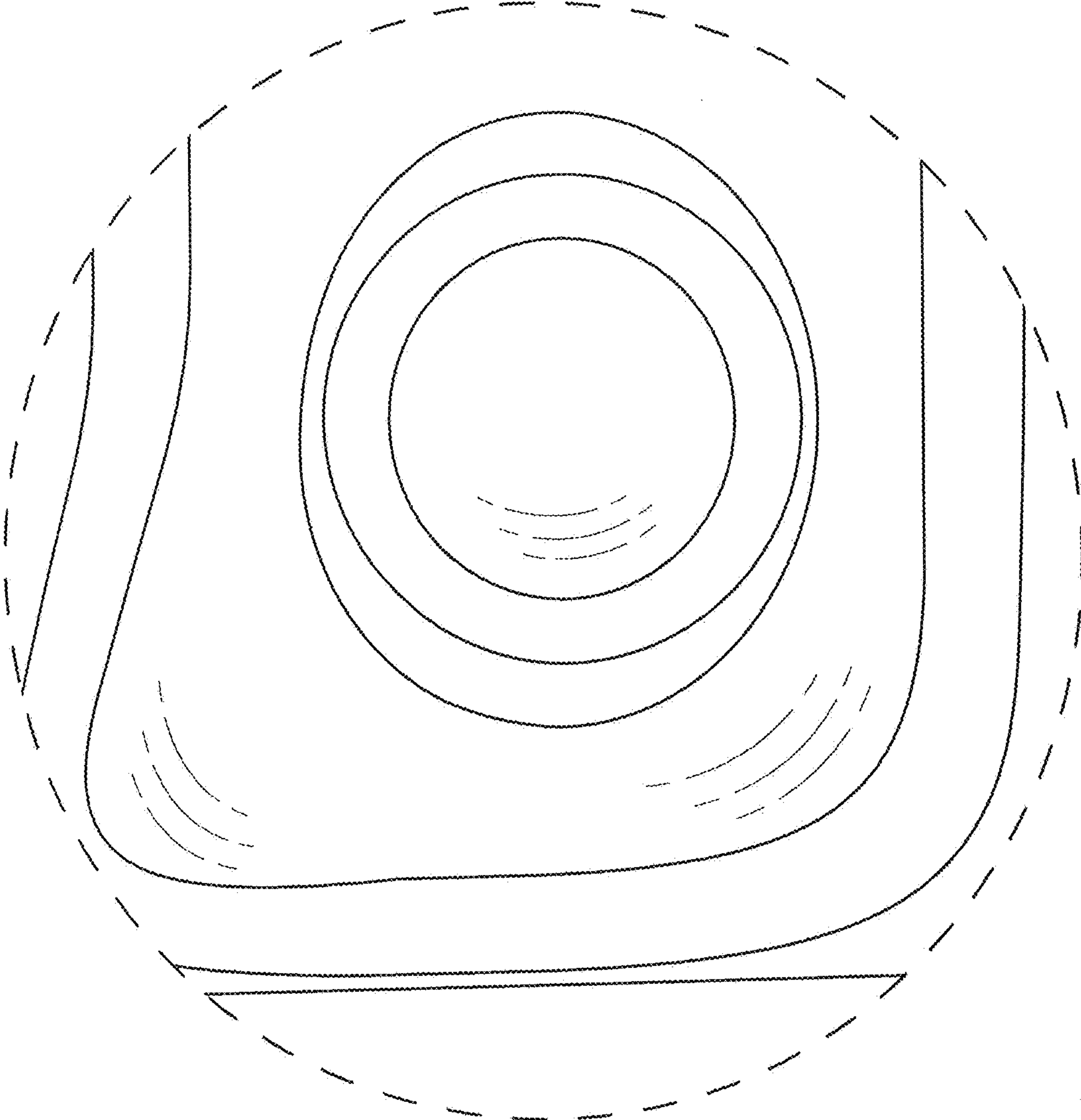


FIG. 9