

US00D975652S

(12) **United States Design Patent**
Xiong

(10) **Patent No.:** **US D975,652 S**
(45) **Date of Patent:** **** Jan. 17, 2023**

(54) **POWER STRIP**

(71) Applicant: **GUANGE (SHENZHEN) ELECTRIC CO., LTD.**, Shenzhen (CN)

(72) Inventor: **Zeji Xiong**, Xinyi (CN)

(73) Assignee: **GUANGE (SHENZHEN) ELECTRIC CO., LTD.**, Shenzhen (CN)

(**) Term: **15 Years**

(21) Appl. No.: **29/777,899**

(22) Filed: **Apr. 8, 2021**

(51) **LOC (14) Cl.** **13-03**

(52) **U.S. Cl.**
USPC **D13/137.3**

(58) **Field of Classification Search**

USPC ... D13/123, 133, 137.1, 137.2, 137.3, 137.4,
D13/138.1, 138.2, 139.1, 139.2, 139.3,
D13/139.4, 139.5, 139.6, 139.7, 139.8,
D13/151, 152, 153, 154, 155, 156, 157,
D13/158, 159, 184, 199, 103, 107, 108
CPC H01R 13/00; H01R 13/03; H01R 13/04;
H01R 13/10; H01R 13/35; H01R 13/44;
H01R 13/453; H01R 13/4534; H01R
13/502; H01R 13/514; H01R 13/631;
H01R 13/639; H01R 13/6633; H01R
13/6666; H01R 13/6675; H01R 13/7135;
H01R 31/02; H01R 31/06; H01R 31/065;
H01R 13/11; H01R 13/518; H01R
13/642; H01R 13/652; H01R 25/003;
H01R 25/006; H01R 43/26; H01H 71/62;
H01H 73/14

See application file for complete search history.

(56) **References Cited**

U.S. PATENT DOCUMENTS

D361,315 S * 8/1995 Wedell D13/160
D644,180 S * 8/2011 Lee D13/139.8

D673,503 S * 1/2013 Lee D13/139.8
D705,732 S * 5/2014 Lee D13/137.2
D770,976 S * 11/2016 Xu D13/110

(Continued)

FOREIGN PATENT DOCUMENTS

CN 305560098 * 1/2020
CN 305595095 * 2/2020

(Continued)

OTHER PUBLICATIONS

“Socket Outlet Shelf-Surge Protector Multiple Outlet Socket with Shelf, 8 Electrical Outlet Extenders, 3 USB Charging Ports 3.4A, Removable Built-in Shelf and LED Indicator (8AC3USB)”, first available Sep. 30, 2020. Amazon.com [https://www.amazon.com/dp/B08G8DSTD2] (Year: 2020).*

(Continued)

Primary Examiner — Rosemary K Tarcza

Assistant Examiner — Seth David Kumpf

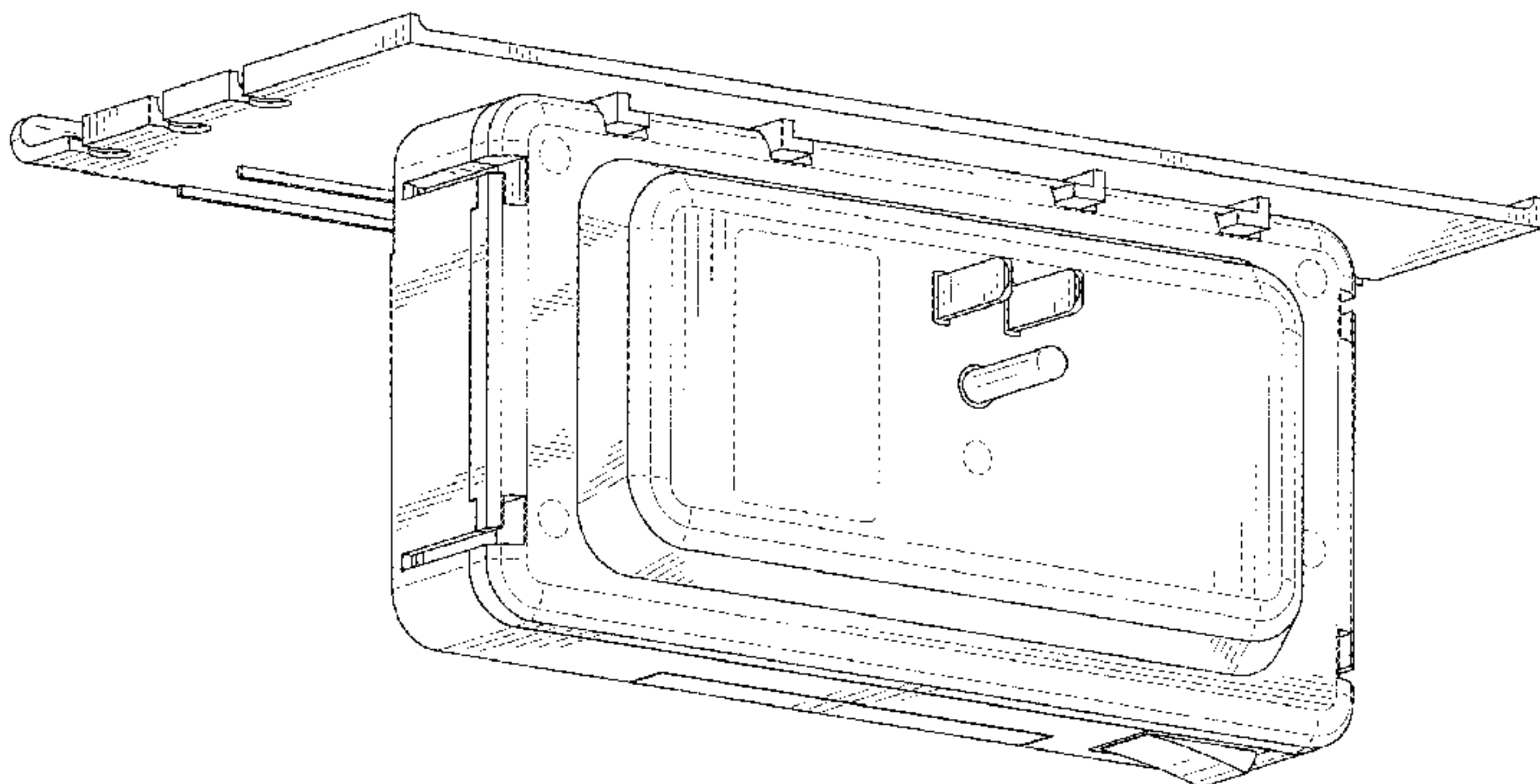
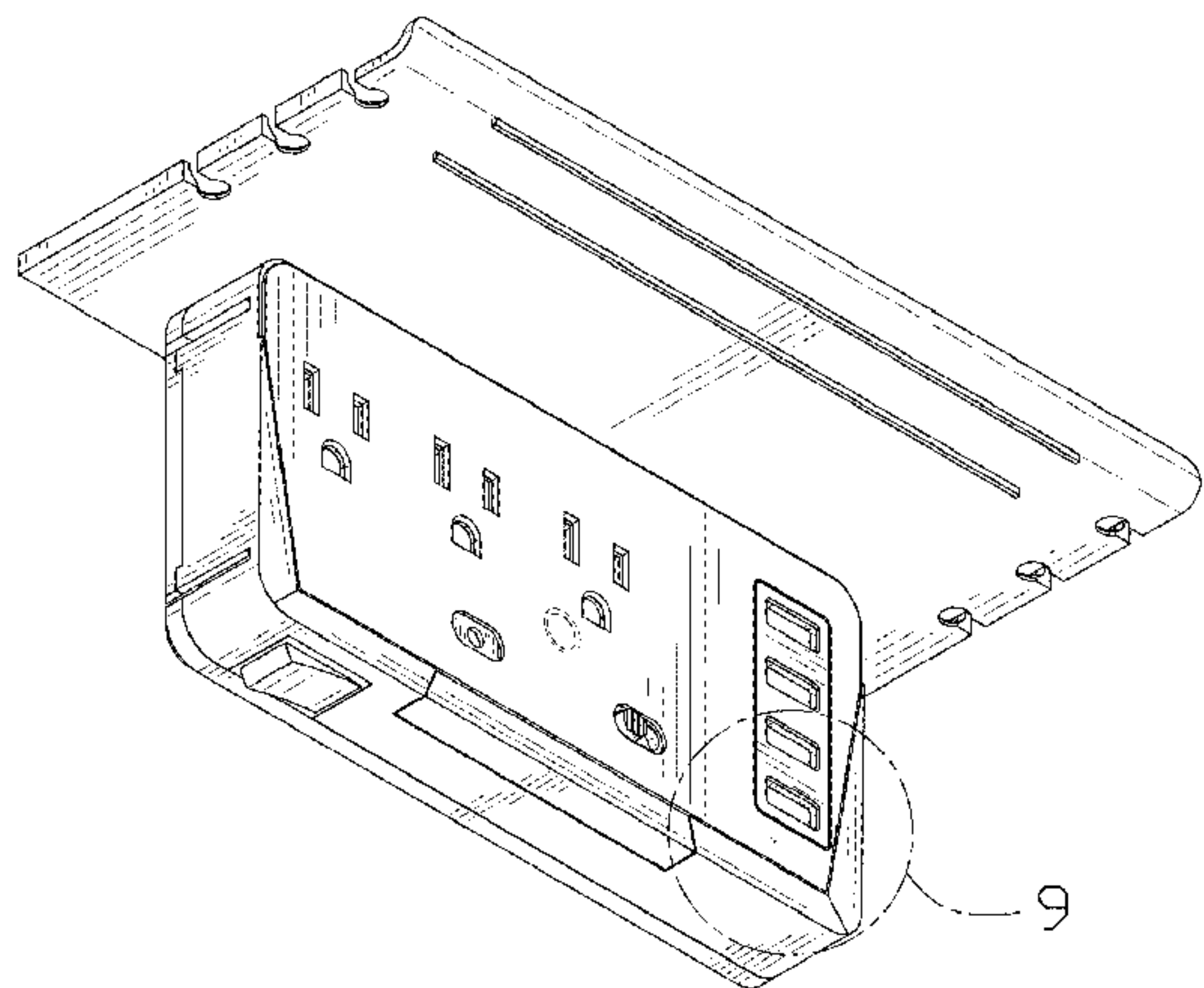
(57) **CLAIM**

The ornamental design for a power strip, as shown and described.

DESCRIPTION

FIG. 1 is a perspective view of a power strip showing my new design;
FIG. 2 is another perspective view thereof;
FIG. 3 is a front elevational view thereof;
FIG. 4 is a rear elevational view thereof;
FIG. 5 is a left side elevational view thereof;
FIG. 6 is a right side elevational view thereof;
FIG. 7 is a top plan view thereof;
FIG. 8 is a bottom plan view thereof; and,
FIG. 9 is an enlarged view of portion 9 shown in FIG. 1.
The dash-dash broken lines in the drawings depict portions of the power strip that form no part of the design. The dot-dash broken lines represent boundaries of the enlarged portions and form no part of the claimed design.

1 Claim, 9 Drawing Sheets



(56)

References Cited

OTHER PUBLICATIONS

U.S. PATENT DOCUMENTS

D775,078 S * 12/2016 Peng D13/137.2
 D775,081 S * 12/2016 Xu D13/139.6
 D796,445 S * 9/2017 Xu D13/139.6
 D871,344 S * 12/2019 Lyu D13/139.8
 D878,299 S * 3/2020 Lyu D13/139.8
 D878,300 S * 3/2020 Lyu D13/139.8
 D881,809 S * 4/2020 Lyu D13/137.2
 D881,821 S * 4/2020 Lyu D13/139.8
 D886,062 S * 6/2020 Du D13/137.2
 D886,742 S * 6/2020 Lyu D13/137.2
 D899,375 S * 10/2020 Bao D13/137.2
 D900,748 S * 11/2020 Chen D13/137.2
 D900,749 S * 11/2020 Bao D13/137.2
 D903,600 S * 12/2020 Tseng D13/139.7
 D908,631 S * 1/2021 Yu D13/137.2
 D922,953 S * 6/2021 Mei D13/139.8
 D922,954 S * 6/2021 Mei D13/139.8
 D922,955 S * 6/2021 Chen D13/139.8
 D924,809 S * 7/2021 Chen D13/137.2
 D930,946 S * 9/2021 Chen D1/100
 D941,774 S * 1/2022 Tao D13/139.6
 D944,741 S * 3/2022 Chen D13/137.2
 D947,781 S * 4/2022 Wei D13/137.2
 D948,451 S * 4/2022 Wang D13/139.8
 D948,452 S * 4/2022 Wu D13/139.8
 D954,650 S * 6/2022 Amoss D13/137.2
 D957,342 S * 7/2022 Zhou D13/137.2
 D958,082 S * 7/2022 Lin D13/139.7
 2002/0182906 A1 * 12/2002 Teng H01R 31/06
 439/131

FOREIGN PATENT DOCUMENTS

CN 305645034 * 3/2020
 CN 307018684 * 12/2021
 GB 1039229 * 10/1987
 GB 3014375 * 10/2003
 GB 6090783 * 5/2020
 GB 305801235 * 5/2020
 GB 6097887 * 8/2020
 GB 6097889 * 8/2020
 GB 6110053 * 12/2020
 GB 6115167 * 1/2021
 GB 6127070 * 3/2021

“Outlet Extender Shelf, Aicode Surge Protector,USB-C Wall Outlet Extender, 6 Outlet Wall Plug Splitter with 3 USB Charger,Multi Outlet Wall Charger,Shelf with Nightlight for Home/Dorm,White”, first available May 10, 2021. Amazon.com [https://www.amazon.com/dp/B092D6VXC2] (Year: 2021).*

“Multi Plug Outlet, Surge Protector, Anhaorui Outlet Splitter with 6 Outlet Extender and 3 USB Ports (White)”, first available Oct. 8, 2020. Amazon.com [https://www.amazon.com/dp/B08KVV473Z] (Year: 2020).*

“Wall Outlet Extender with Shelf, Power Strips, Surge Protector 12 AC Outlets Multi Plug Outlet, 3 USB Ports (1 USB C Port) Wall Plug Expander for Home, Office, School”, first available Jan. 15, 2022. Amazon.com [https://www.amazon.com/dp/B09QHPHYC5] (Year: 2022).*

“Outlet Extender with Shelf, USB C Wall Outlet Surge Protector, Outlet with Shelf and Night Light, Plug in Outlet for Bathroom Kitchen Drom Hotel”, first available Oct. 21, 2021. Amazon.com [https://www.amazon.com/dp/B09JZPR51Z] (Year: 2021).*

“Socket Outlet Shelf, ON2NO Surge Protector Wall Outlet, 3AC Outlet and 4 USB Charging Ports, Electric Outlet Extender with Built-in Shelf and Smart Night Light to Create Charging Station in Home”, first available Jan. 14, 2021. Amazon.com [https://www.amazon.com/dp/B08T1NVPLP] (Year: 2021).*

“Socket Shelf—8 Port Surge Protector Wall Outlet, 6 Electrical Outlet Extenders, 2 USB Charging Ports & Removable Built-in Shelf ETL Listed”, first available Aug. 17, 2018. Amazon.com [https://www.amazon.com/dp/B07GL2WPXH] (Year: 2018).*

“Multi Outlet Wall Plug , Wall Outlet Surge Protector with Socket Shelf, Multi Outlet Built in Adjustable Night Light, Outlet Extender with USB C Phone Charger, Plug Outlet Expander for Home, Office”, first available Jan. 6, 2022. Amazon.com [https://www.amazon.com/dp/B09LQLB7DC] (Year: 2022).*

“Socket Wall Shelf-CFmaster 10 Port Surge Protector Wall Outlet, 8 Electrical Outlet Extenders and 2 USB Ports 2.4A, with Removable Built-In Shelf, FCC Listed (1, White)”, first available Dec. 3, 2019. Amazon.com [https://www.amazon.com/dp/B08P193NR1] (Year: 2019).*

* cited by examiner

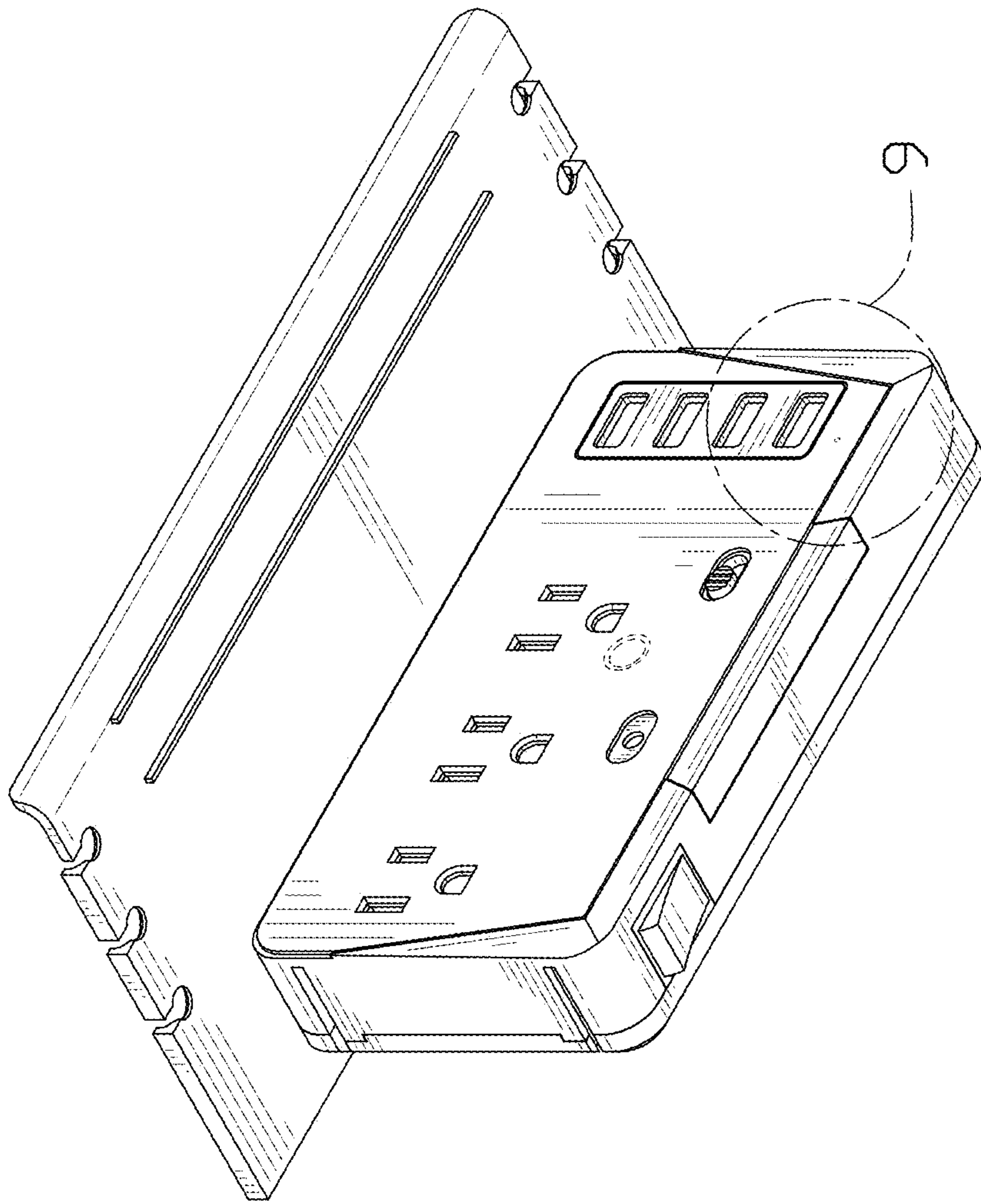


FIG. 1

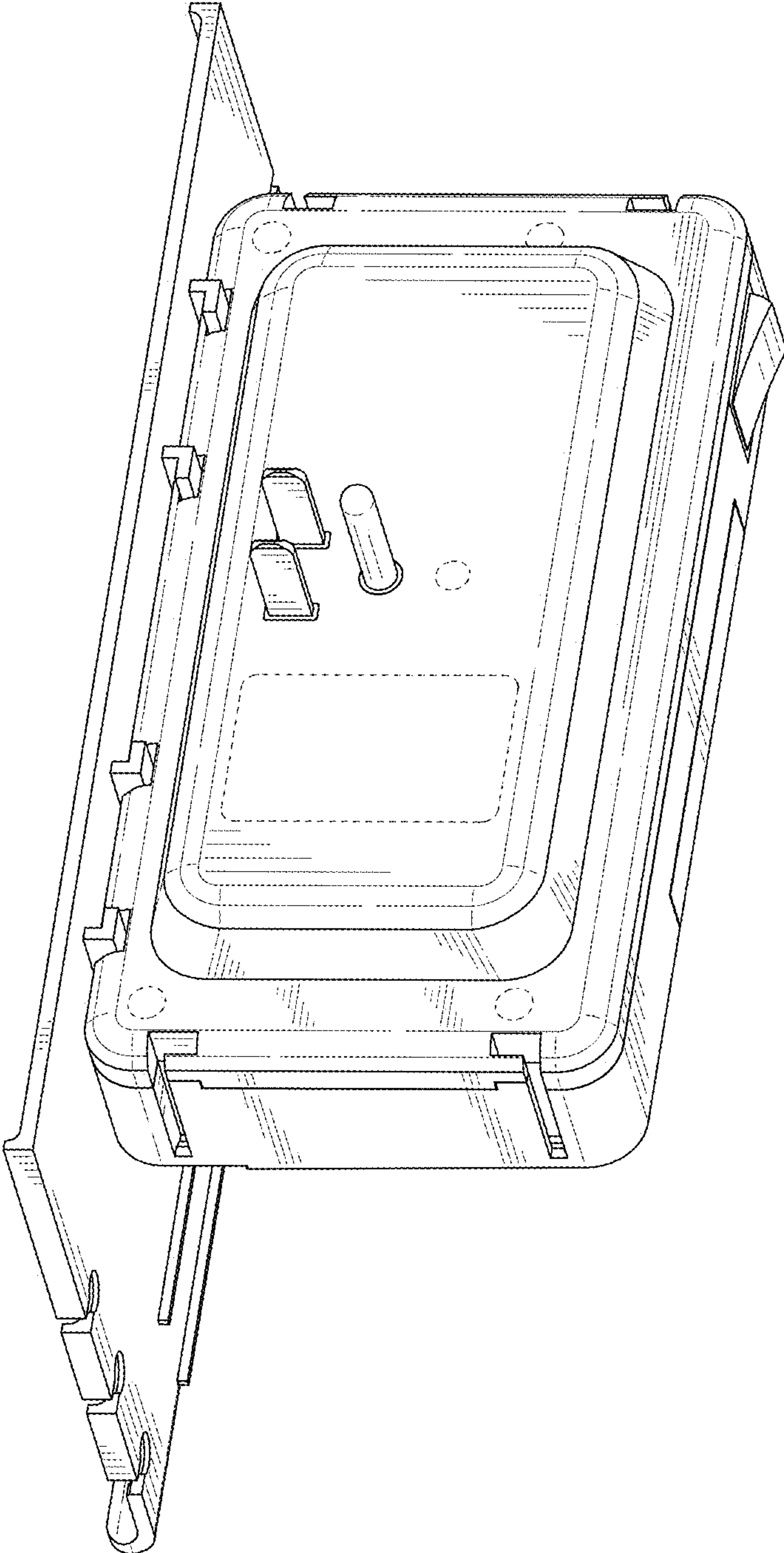


FIG. 2

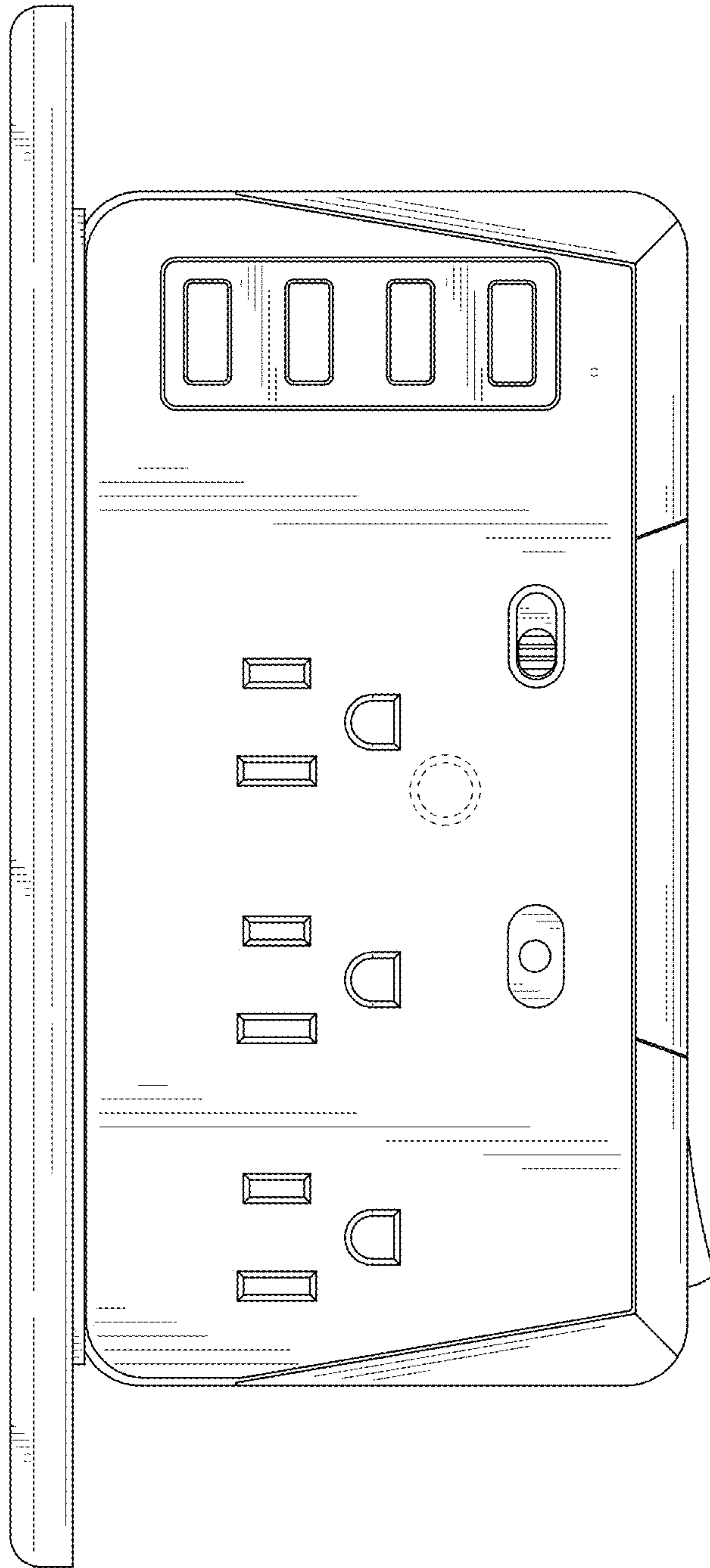


FIG. 3

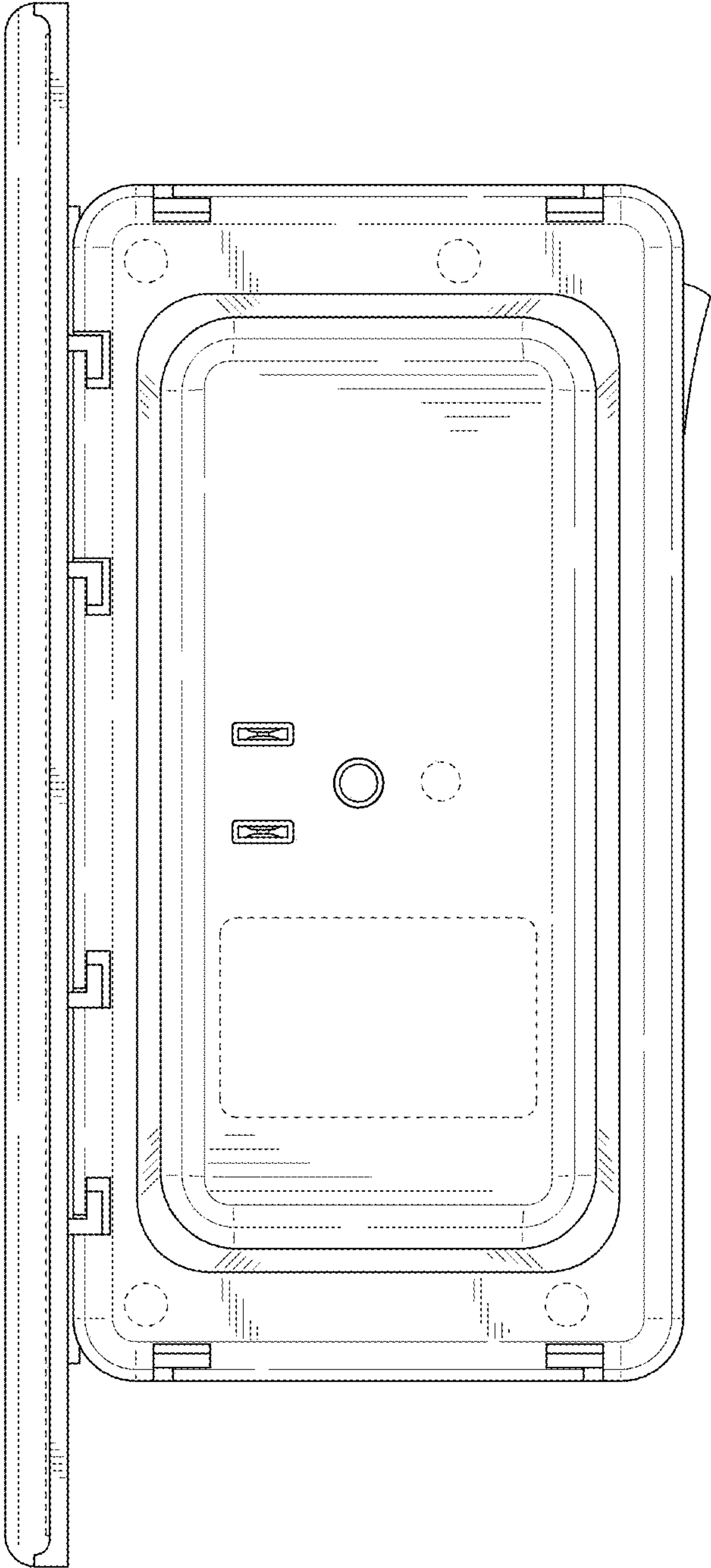


FIG. 4

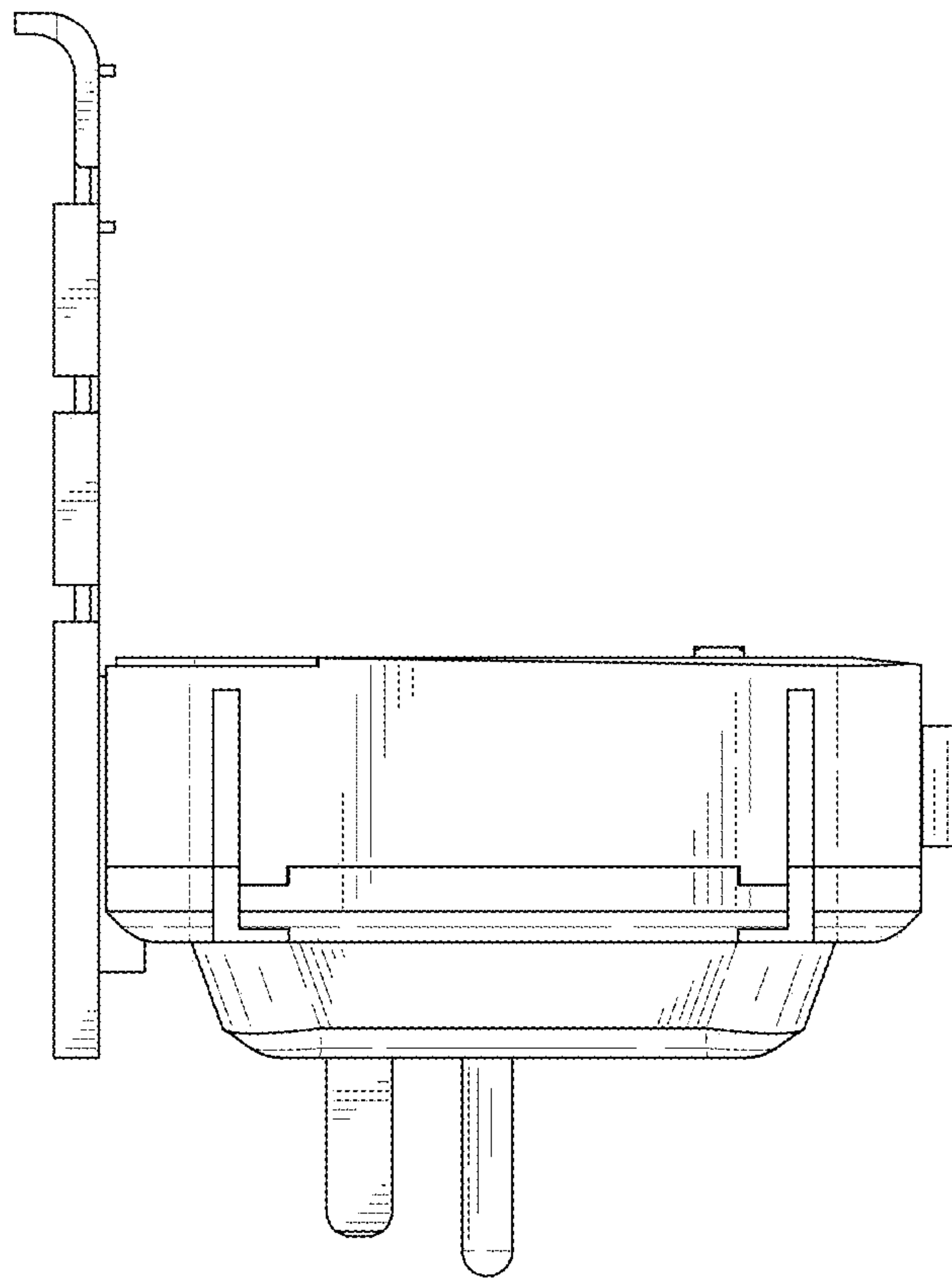


FIG. 5

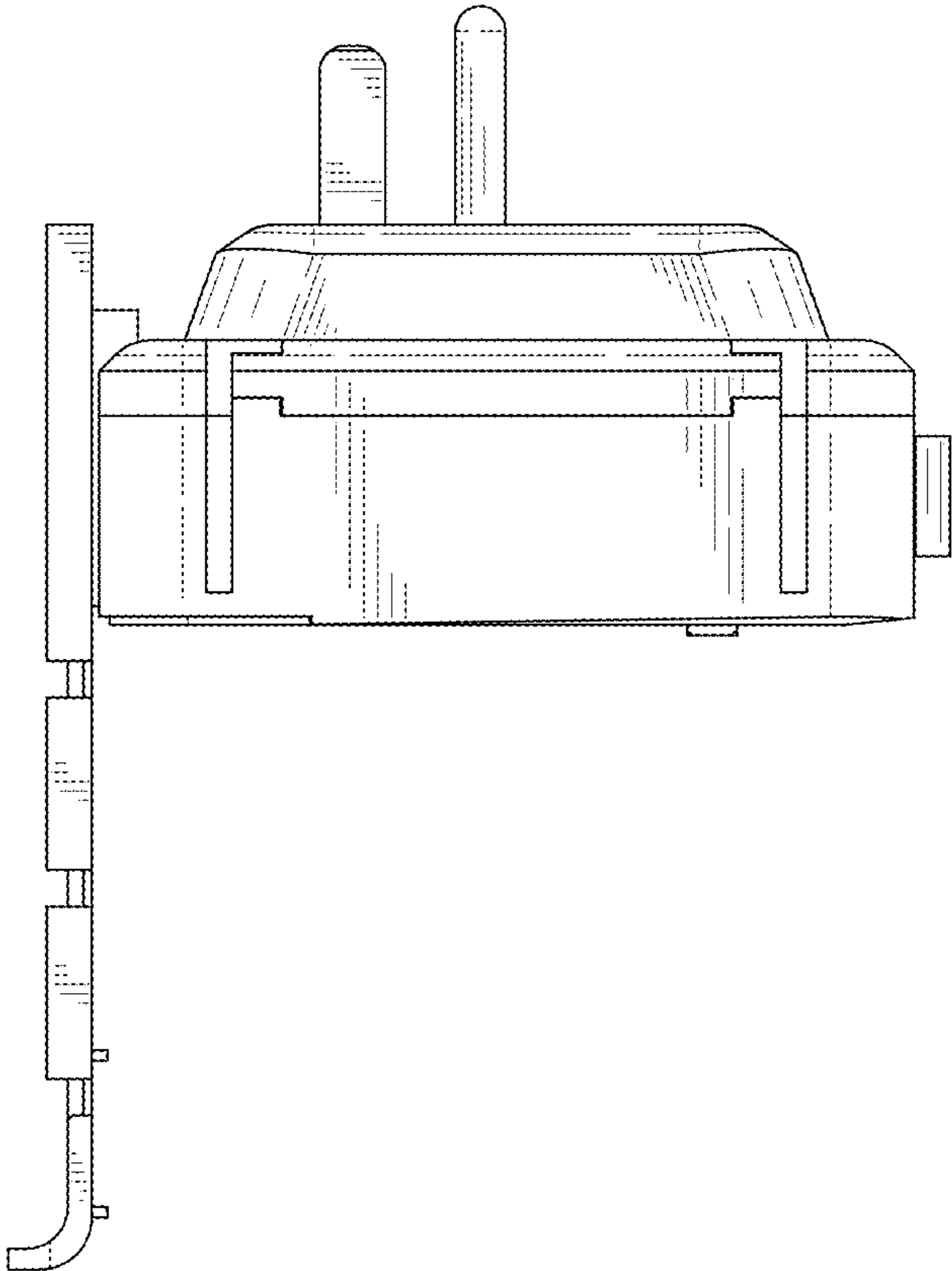


FIG. 6

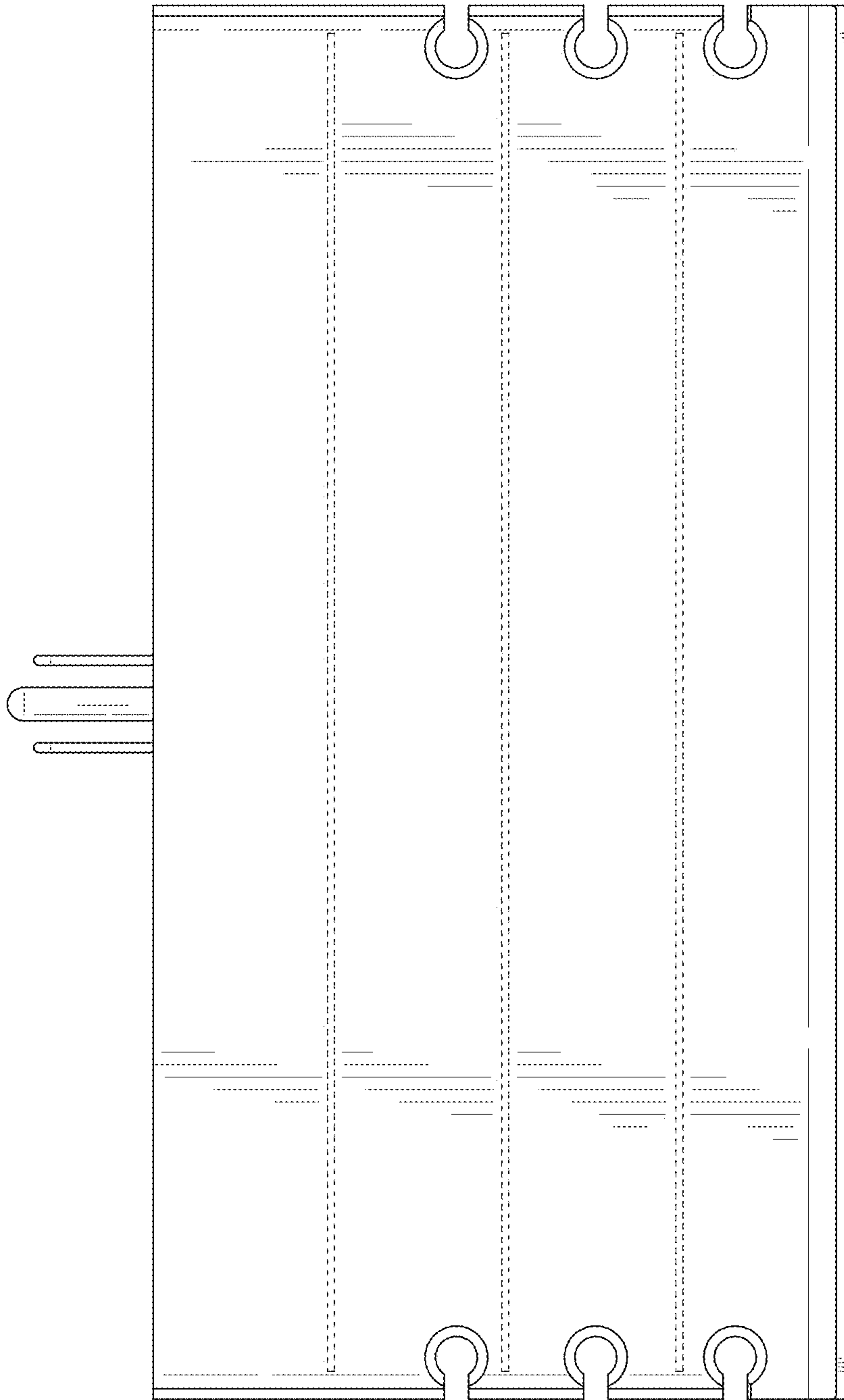


FIG. 7

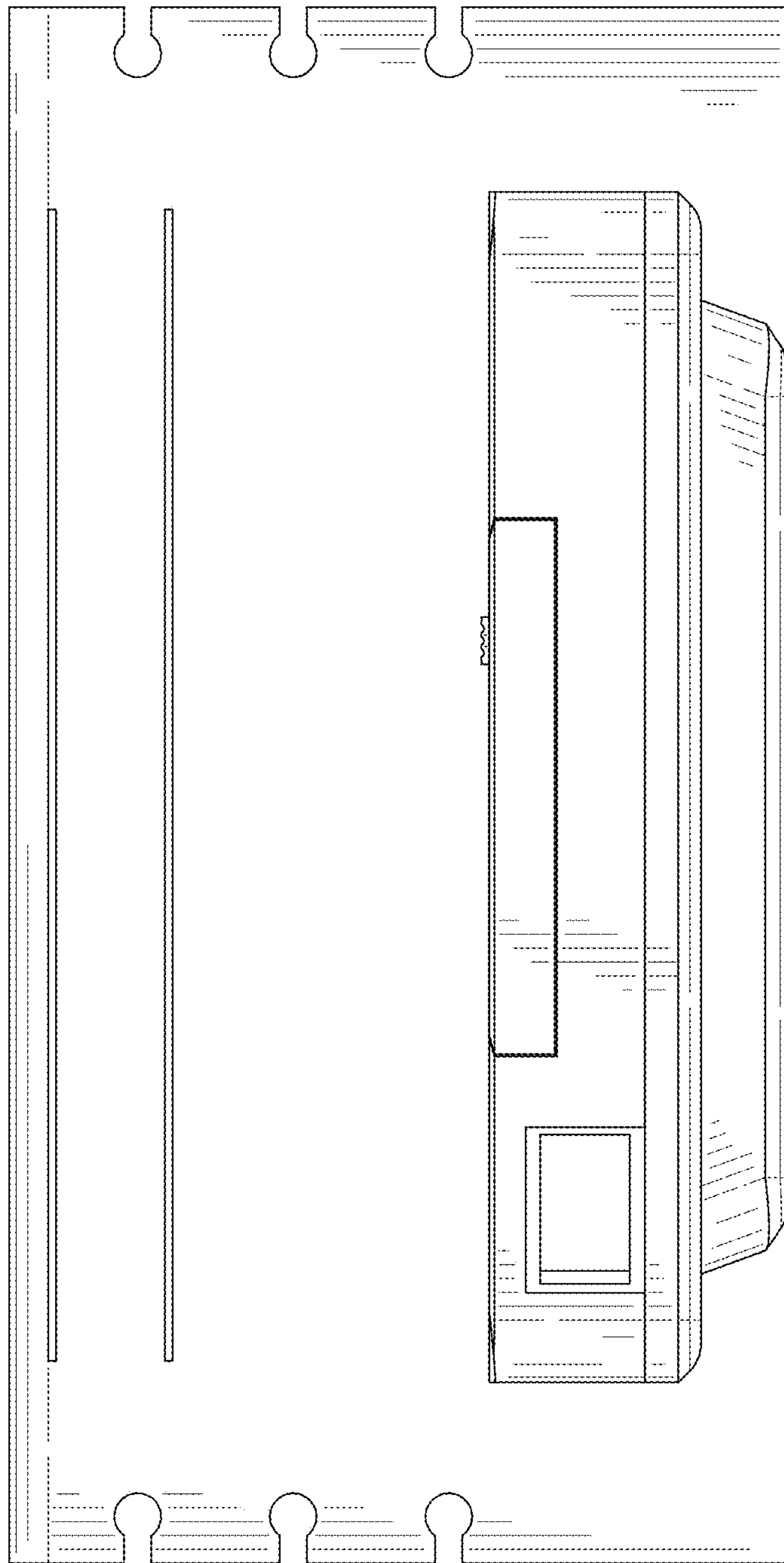


FIG. 8

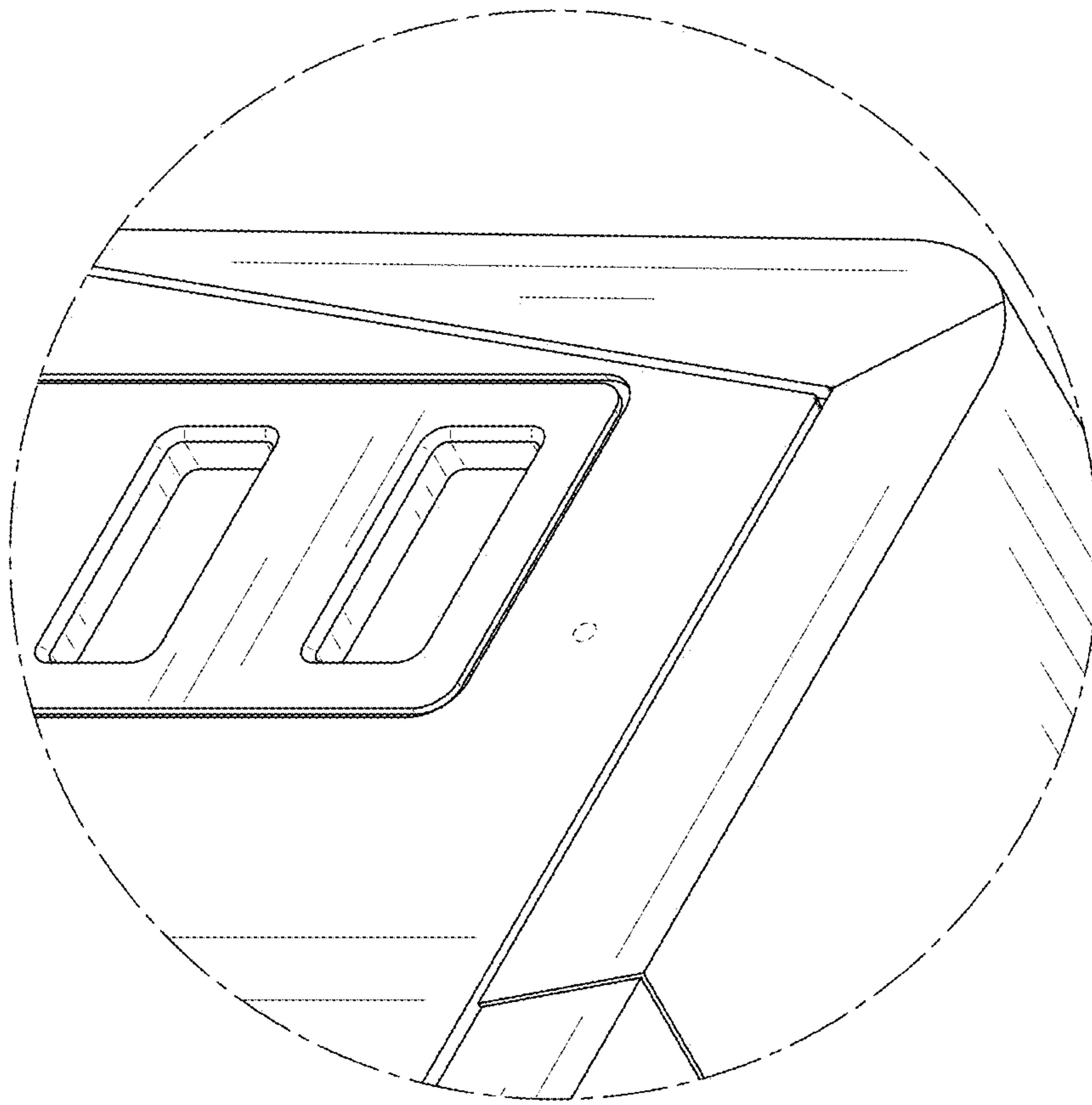


FIG. 9