



US00D975651S

(12) **United States Design Patent**  
**Pan et al.**

(10) **Patent No.:** **US D975,651 S**  
(45) **Date of Patent:** **\*\* \*Jan. 17, 2023**

(54) **PLUG ADAPTER**

(71) Applicant: **Shenzhen Intellirocks Tech Co., Ltd.**,  
Shenzhen (CN)

(72) Inventors: **Jinyu Pan**, Shenzhen (CN); **Wenlong**  
**Wu**, Shenzhen (CN)

(73) Assignee: **Shenzhen Intellirocks Tech Co., Ltd.**,  
Shenzhen (CN)

(\*) Notice: This patent is subject to a terminal dis-  
claimer.

(\*\*) Term: **15 Years**

(21) Appl. No.: **29/774,980**

(22) Filed: **Mar. 19, 2021**

(51) **LOC (14) Cl.** ..... **13-02**

(52) **U.S. Cl.**  
USPC ..... **D13/137.3**

(58) **Field of Classification Search**

USPC ... D13/123, 133, 137.1, 137.2, 137.3, 137.4,  
D13/138.1, 138.2, 139.1, 139.2, 139.3,  
D13/139.4, 139.5, 139.6, 139.7, 139.8,  
D13/151, 152, 153, 154, 155, 156, 157,  
D13/158, 159, 184, 199, 103, 107, 108  
CPC ..... H01R 13/00; H01R 13/03; H01R 13/04;  
H01R 13/10; H01R 13/35; H01R 13/44;  
H01R 13/453; H01R 13/4534; H01R  
13/502; H01R 13/514; H01R 13/631;  
H01R 13/639; H01R 13/6633; H01R  
13/6666; H01R 13/6675; H01R 13/7135;  
H01R 31/02; H01R 31/06; H01R 31/065

See application file for complete search history.

(56) **References Cited**

**U.S. PATENT DOCUMENTS**

D808,339 S \* 1/2018 Page ..... D13/139.4  
D820,212 S \* 6/2018 Stern ..... D13/137.2  
D845,900 S \* 4/2019 Liu ..... D13/137.2  
D848,948 S \* 5/2019 Wei ..... D13/137.2

D849,686 S \* 5/2019 Byrne ..... D13/137.2  
D851,597 S \* 6/2019 Ding ..... D13/137.2  
D867,996 S \* 11/2019 Chen ..... D13/137.2  
D874,403 S \* 2/2020 Canizares ..... D13/137.2  
D883,217 S \* 5/2020 Zheng ..... D13/137.1

(Continued)

**FOREIGN PATENT DOCUMENTS**

JP D1688681 \* 6/2021

**OTHER PUBLICATIONS**

“Smart Plug Extender, Dual WiFi Outlet Works with Alexa and Google Home, Surge Protector Mini Socket Plug-in Remote Control and Timer Function, ETL FCC Listed, 2.4G Wi-Fi Only, 10A 1200W, 2-Pack, White”, first available Nov. 26, 2021. Amazon.com [https://www.amazon.com/dp/B09MLSYH19] (Year: 2021).\*

(Continued)

*Primary Examiner* — Rosemary K Tarcza

*Assistant Examiner* — Seth David Kumpf

(74) *Attorney, Agent, or Firm* — ScienBiziP, P.C.

(57) **CLAIM**

The ornamental design for a plug adapter, as shown and described.

**DESCRIPTION**

FIG. 1 is a front, right, and bottom perspective view of a plug adapter, showing my design.

FIG. 2 is a rear, left, and top perspective view thereof.

FIG. 3 is a front elevation view thereof.

FIG. 4 is a rear elevation view thereof.

FIG. 5 is a left side elevation view thereof.

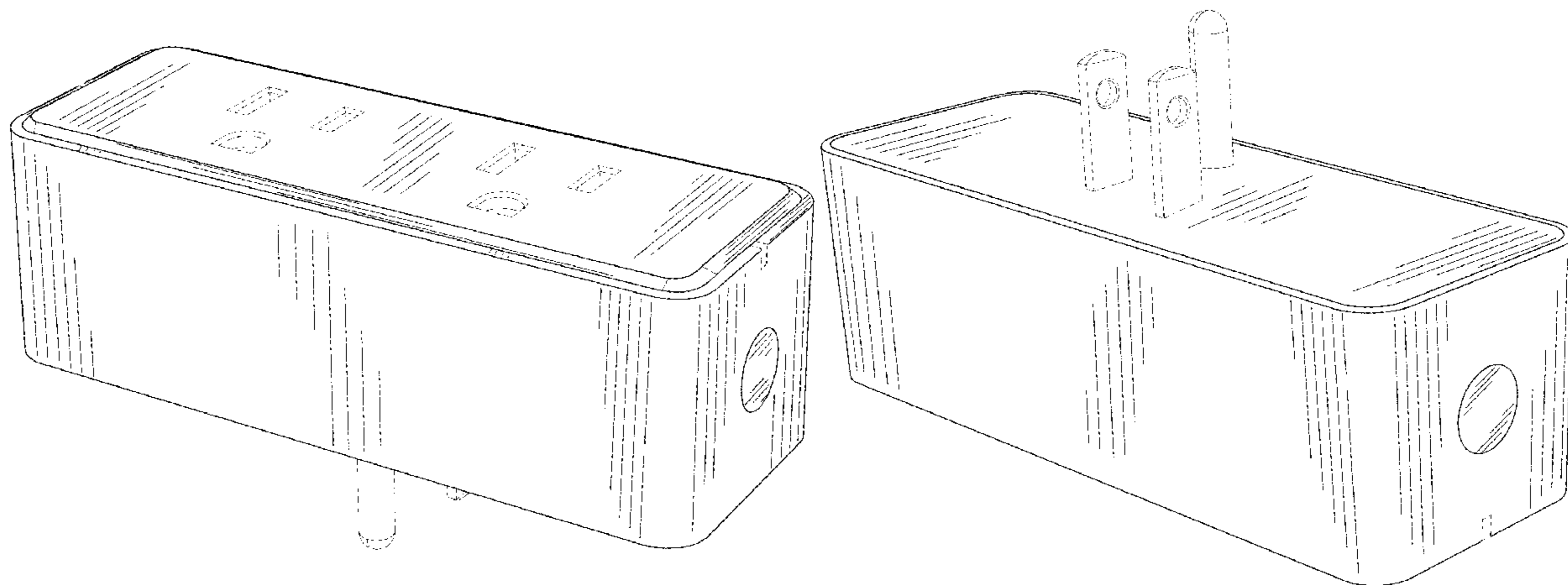
FIG. 6 is a right side elevation view thereof.

FIG. 7 is a top plan view thereof; and,

FIG. 8 is a bottom plan view thereof.

The broken lines shown in the drawings are included for the purpose of illustrating portions of the plug adapter that form no part of the claimed design.

**1 Claim, 8 Drawing Sheets**



(56)

**References Cited**

## U.S. PATENT DOCUMENTS

D902,862 S \* 11/2020 Rupert ..... D13/137.1  
D902,864 S \* 11/2020 Turksu ..... D13/137.1  
D903,601 S \* 12/2020 Tseng ..... D13/137.2  
D911,969 S \* 3/2021 Canizares ..... D13/137.2  
D923,576 S \* 6/2021 Lyu ..... D13/137.2  
D930,591 S \* 9/2021 Rupert ..... D13/137.1  
D934,177 S \* 10/2021 Canizares ..... D13/137.2  
D946,532 S \* 3/2022 Fu ..... D13/137.2  
D948,428 S \* 4/2022 Li ..... D13/108

## OTHER PUBLICATIONS

“Kasa Smart Plug HS103P2, Smart Home Wi-Fi Outlet Works with Alexa, Echo, Google Home & IFTTT, No Hub Required, Remote Control, 15 Amp. UL Certified, 2-Pack White”, first available Mar. 6, 2018. Amazon.com [<https://www.amazon.com/dp/B07B8W2KHZ>] (Year: 2018).\*

“Kasa Smart Plug Mini 15A, Smart Home Wi-Fi Outlet Works with Alexa, Google Home & IFTTT, No Hub Required, UL Certified, 2.4G WiFi Only, 4-Pack (EP10P4), White”, first available Apr. 16, 2021. Amazon.com [<https://www.amazon.com/dp/B091FXLMS8>] (Year: 2021).\*

“Amazon Smart Plug, for home automation, Works with Alexa- A Certified for Humans Device”, first accessed Apr. 14, 2022. Amazon.com [<https://www.amazon.com/dp/B089DR29T6>] (Year: 2022).\*

\* cited by examiner

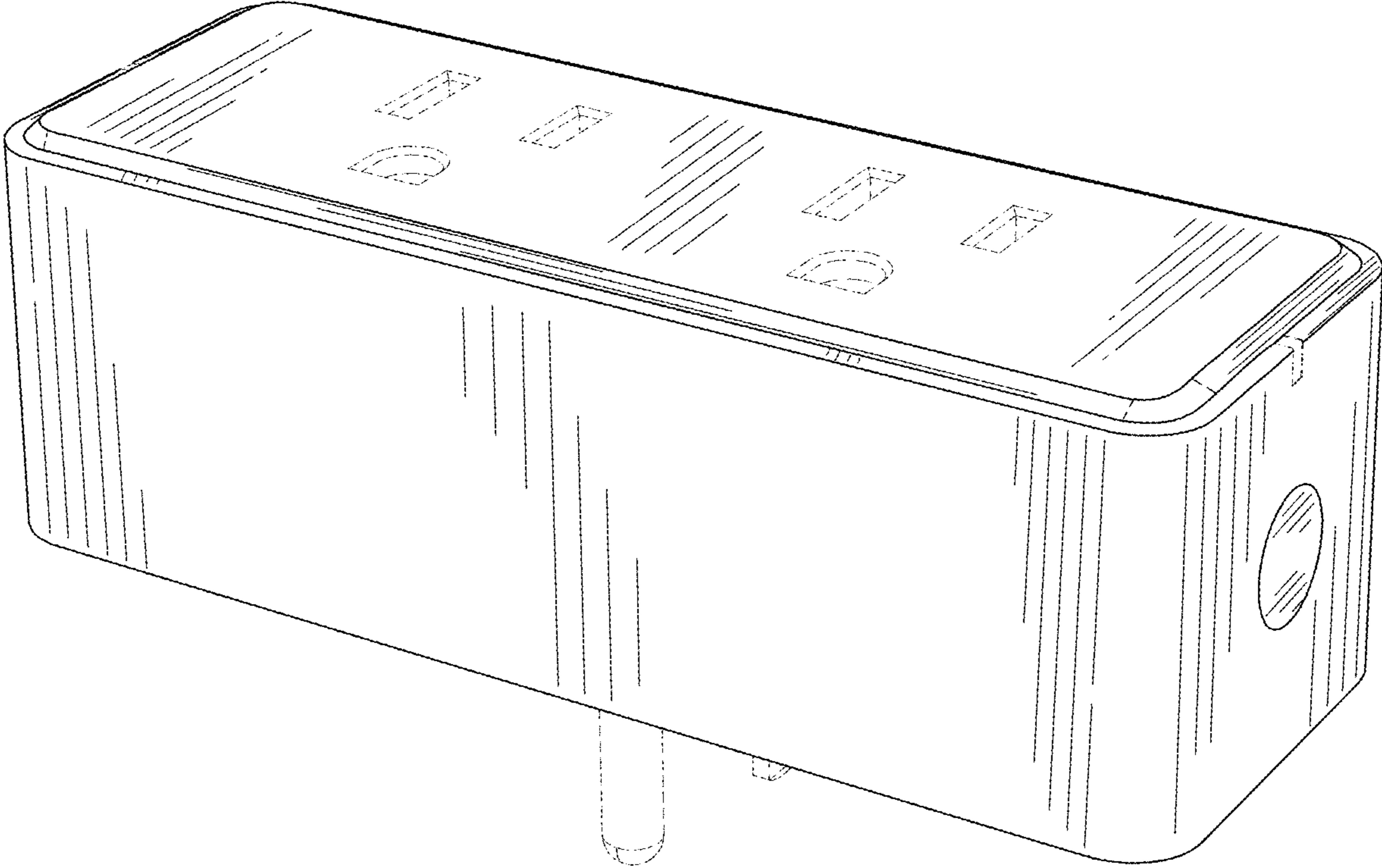


FIG. 1

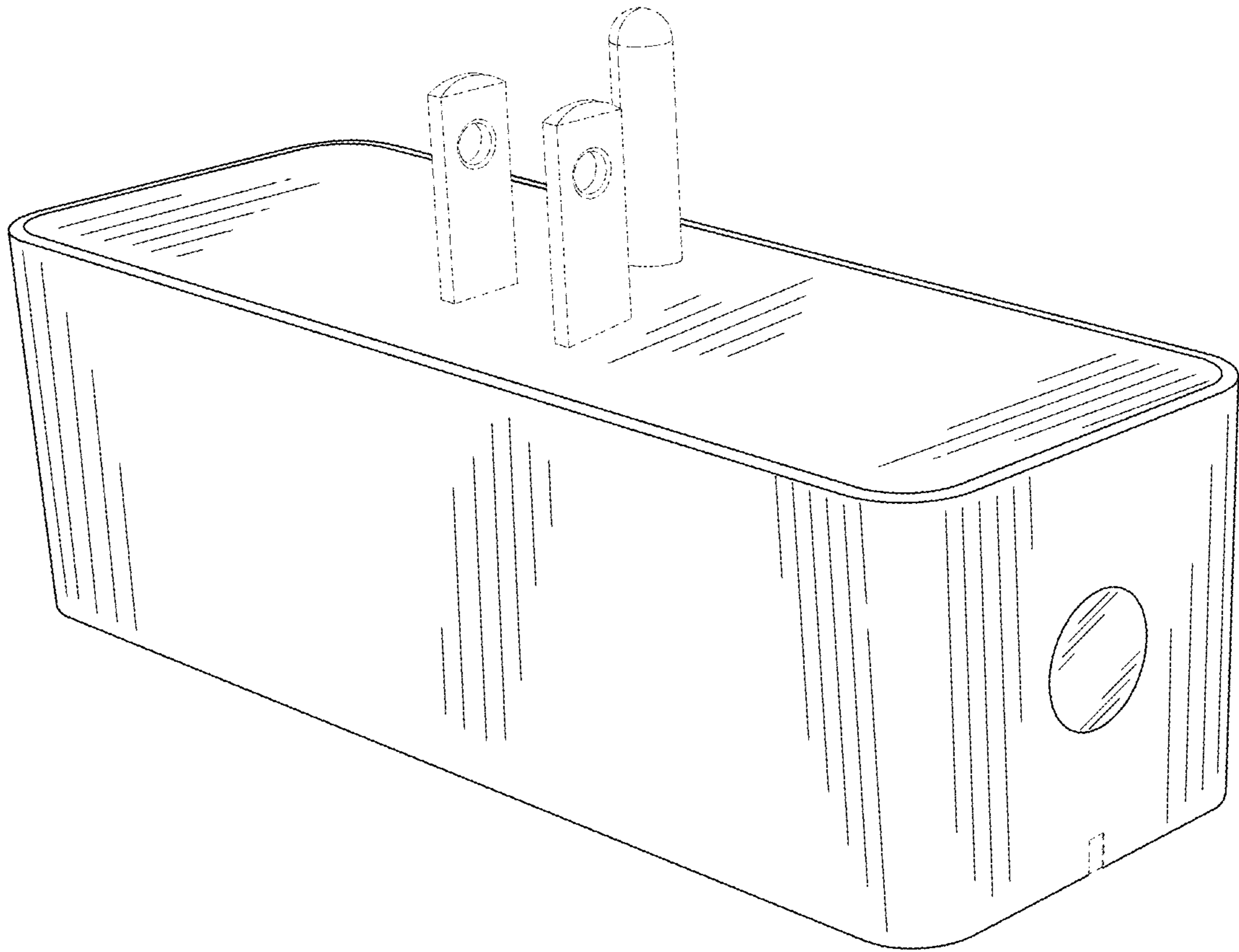


FIG. 2

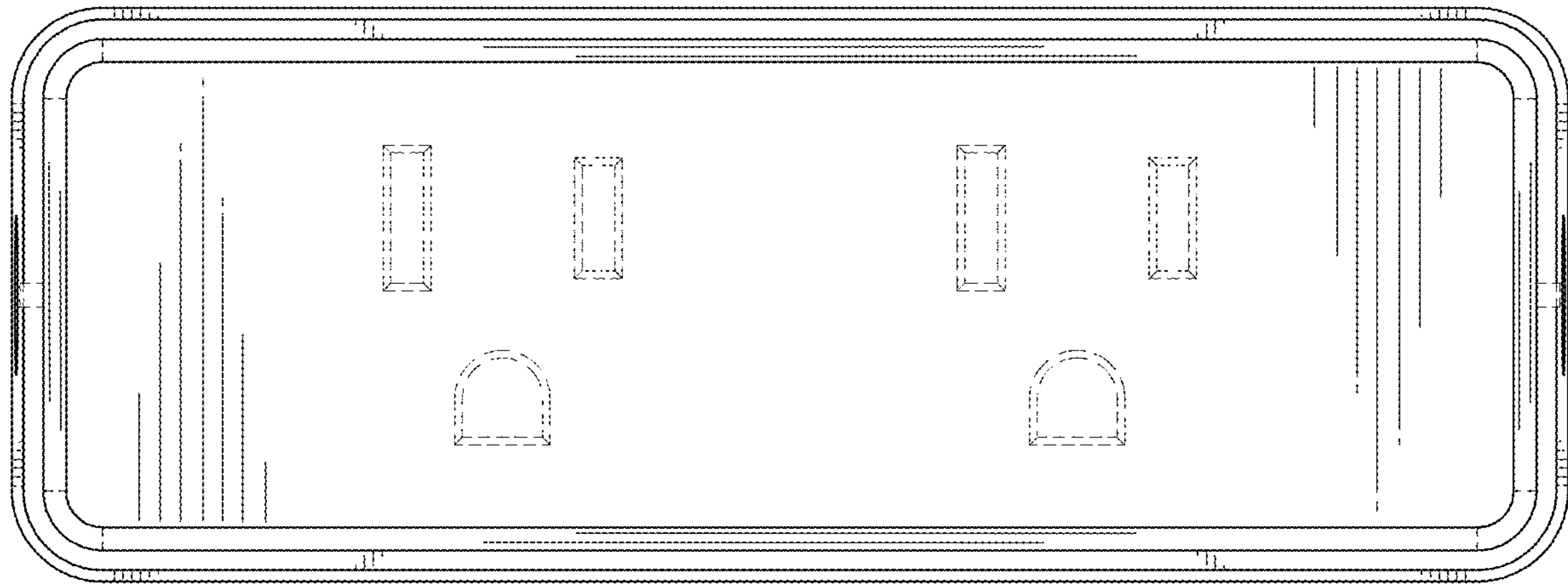


FIG. 3

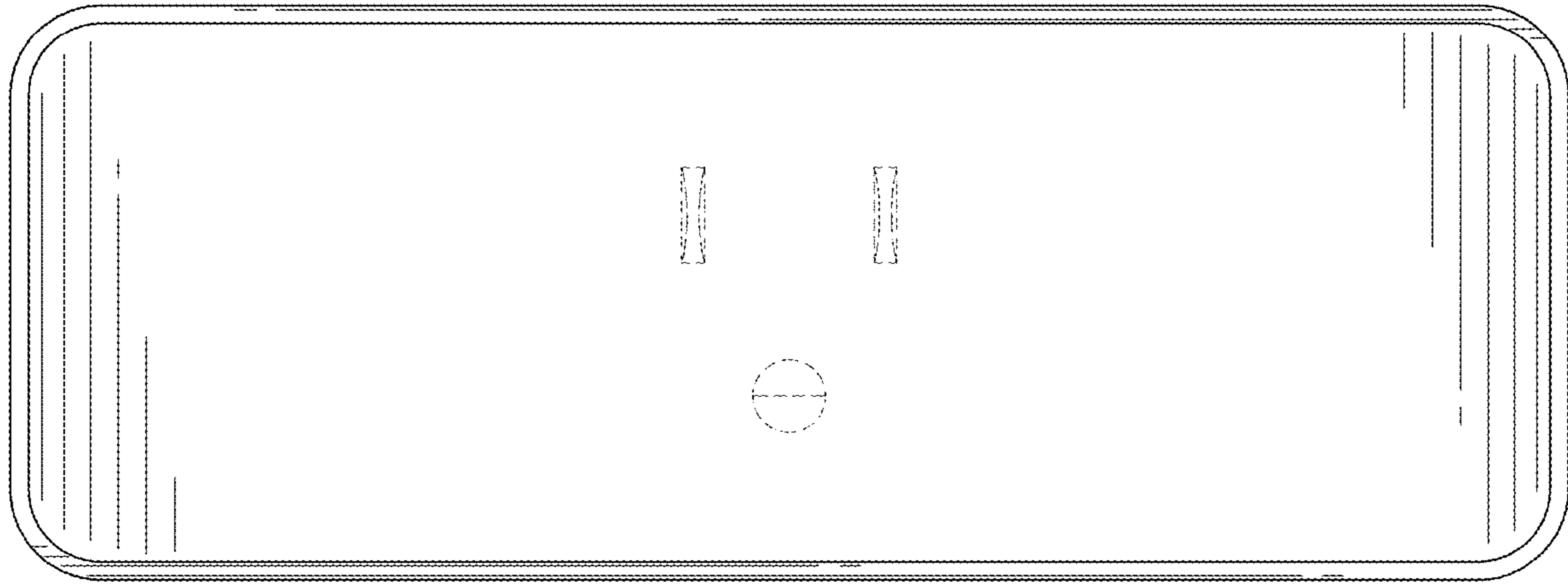


FIG. 4

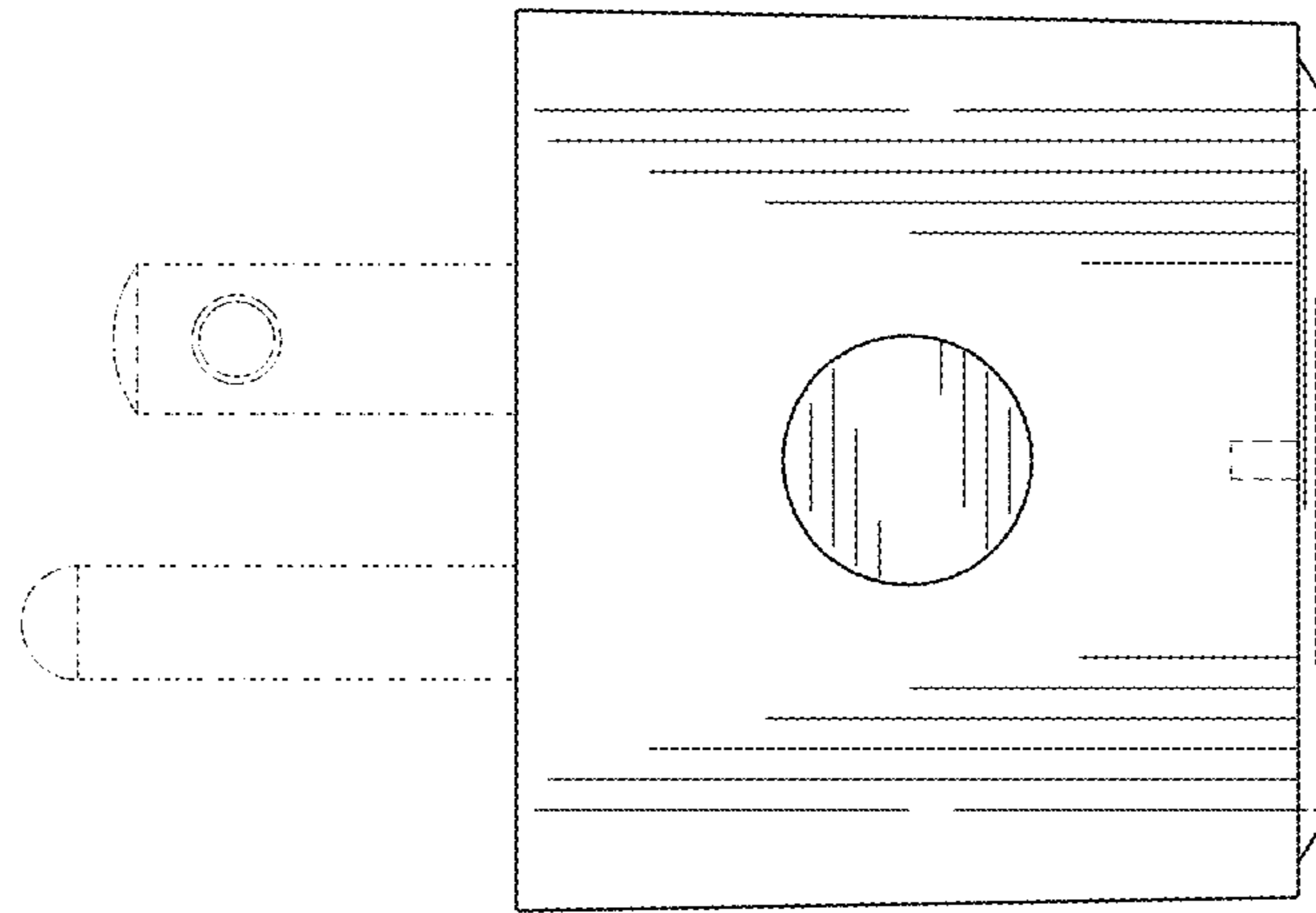


FIG. 5

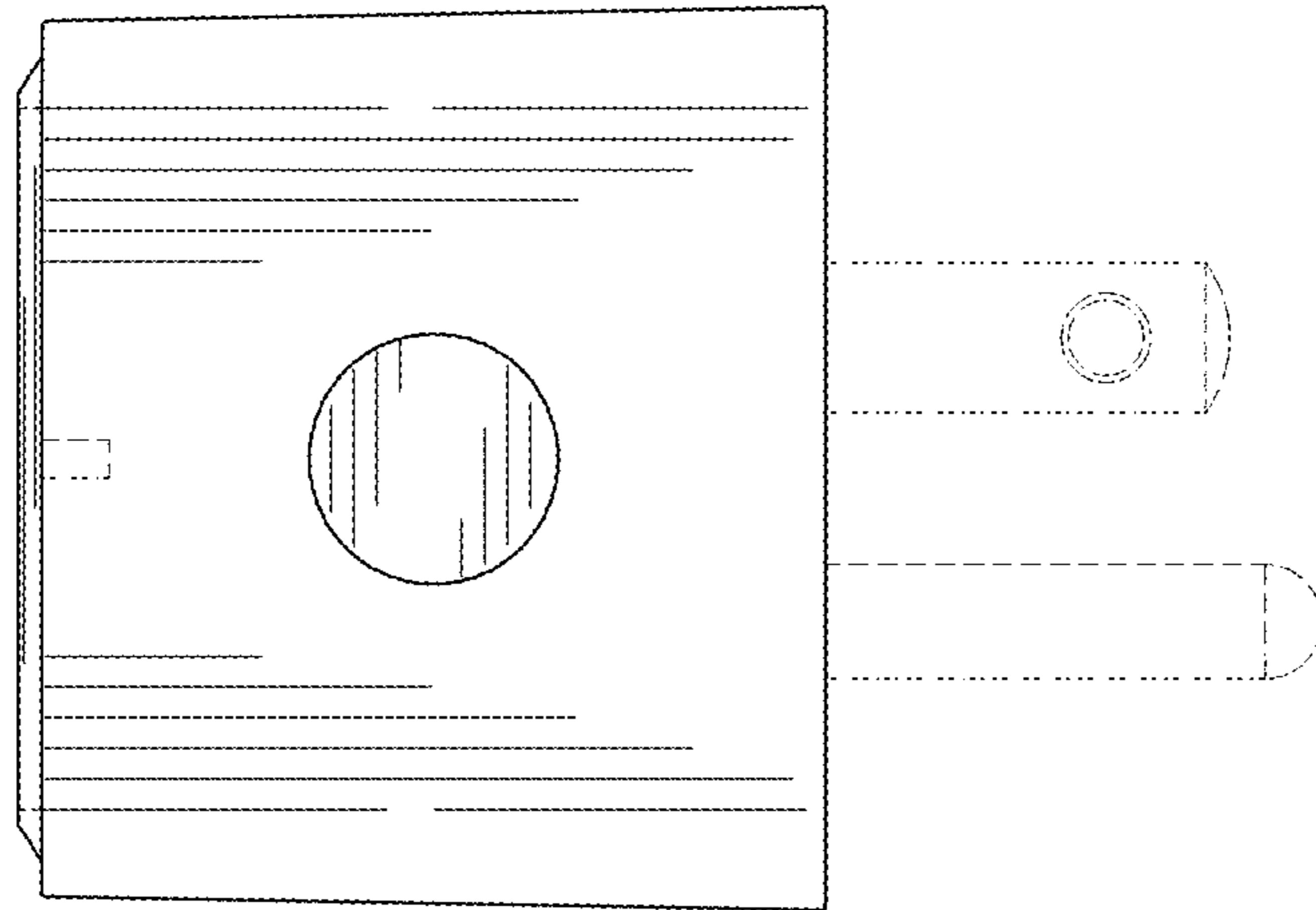


FIG. 6



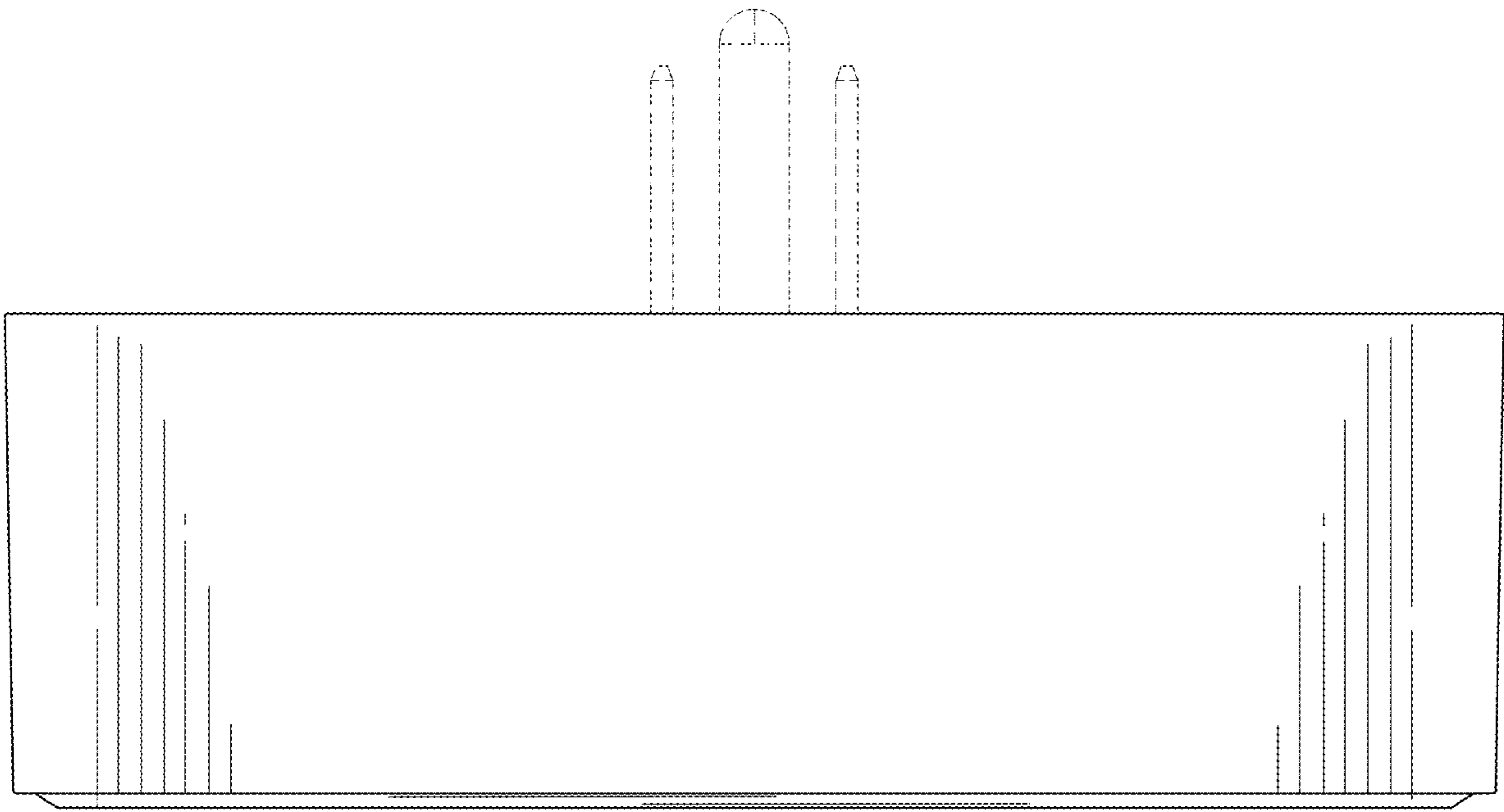


FIG. 7

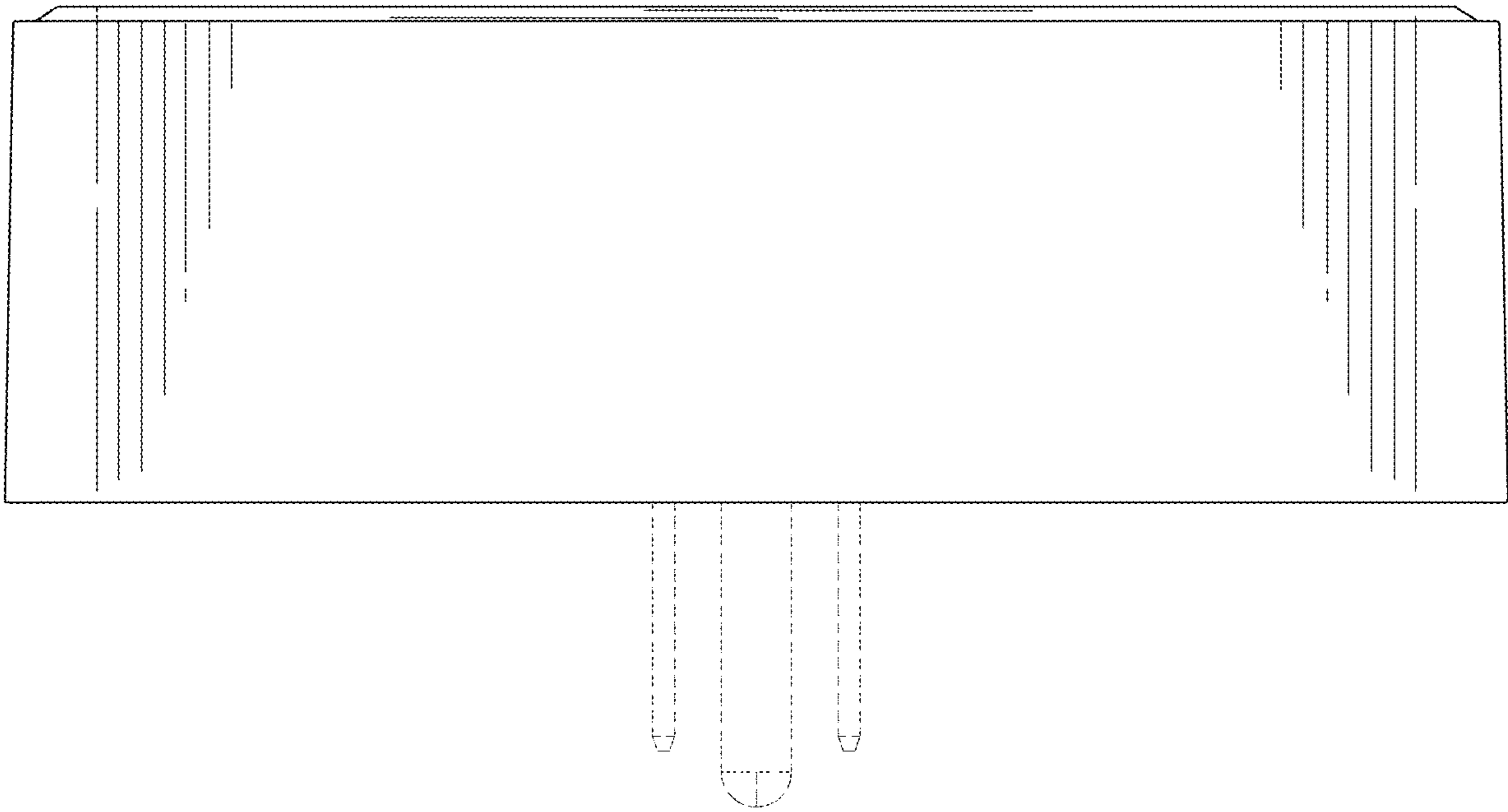


FIG. 8