



US00D975649S

(12) **United States Design Patent**
Zhou

(10) **Patent No.: US D975,649 S**
(45) **Date of Patent: ** Jan. 17, 2023**

(54) **SOCKET**
(71) Applicant: **Xiaoqin Zhou**, Jurong (CN)
(72) Inventor: **Xiaoqin Zhou**, Jurong (CN)
(**) Term: **15 Years**
(21) Appl. No.: **29/847,978**
(22) Filed: **Jul. 29, 2022**

7,482,537 B1 * 1/2009 Shotey H02G 3/14
33/528
D662,056 S 6/2012 Lee et al.
8,834,210 B2 * 9/2014 Brausen H01R 13/7135
439/718
D727,853 S * 4/2015 Clayton D13/156
D734,253 S * 7/2015 Tinaphong H01R 13/70
D13/137.1

(Continued)

Related U.S. Application Data

(62) Division of application No. 29/799,736, filed on Jul. 16, 2021.
(51) **LOC (14) Cl.** **13-03**
(52) **U.S. Cl.**
USPC **D13/137.2**
(58) **Field of Classification Search**
USPC D13/123, 133, 147, 137.1–137.4,
D13/139.1–139.8, 173, 184, 199
CPC H01R 25/006; H01R 31/02; H01R 31/065;
H01R 24/68; H01R 13/5213; H02G 3/14
See application file for complete search history.

OTHER PUBLICATIONS

Multi Plug Outlet, Surge Protector, ANHAORUI Outlet Splitter, dated Oct. 8, 2020, [online], [site visited Mar. 30, 2022. Available from Internet, URL: <https://www.amazon.com/dp/B08KVV473Z/> (Year: 2020).*

(Continued)

Primary Examiner — Shawn T Gingrich

(57) **CLAIM**

The ornamental design for a socket, as shown and described.

DESCRIPTION

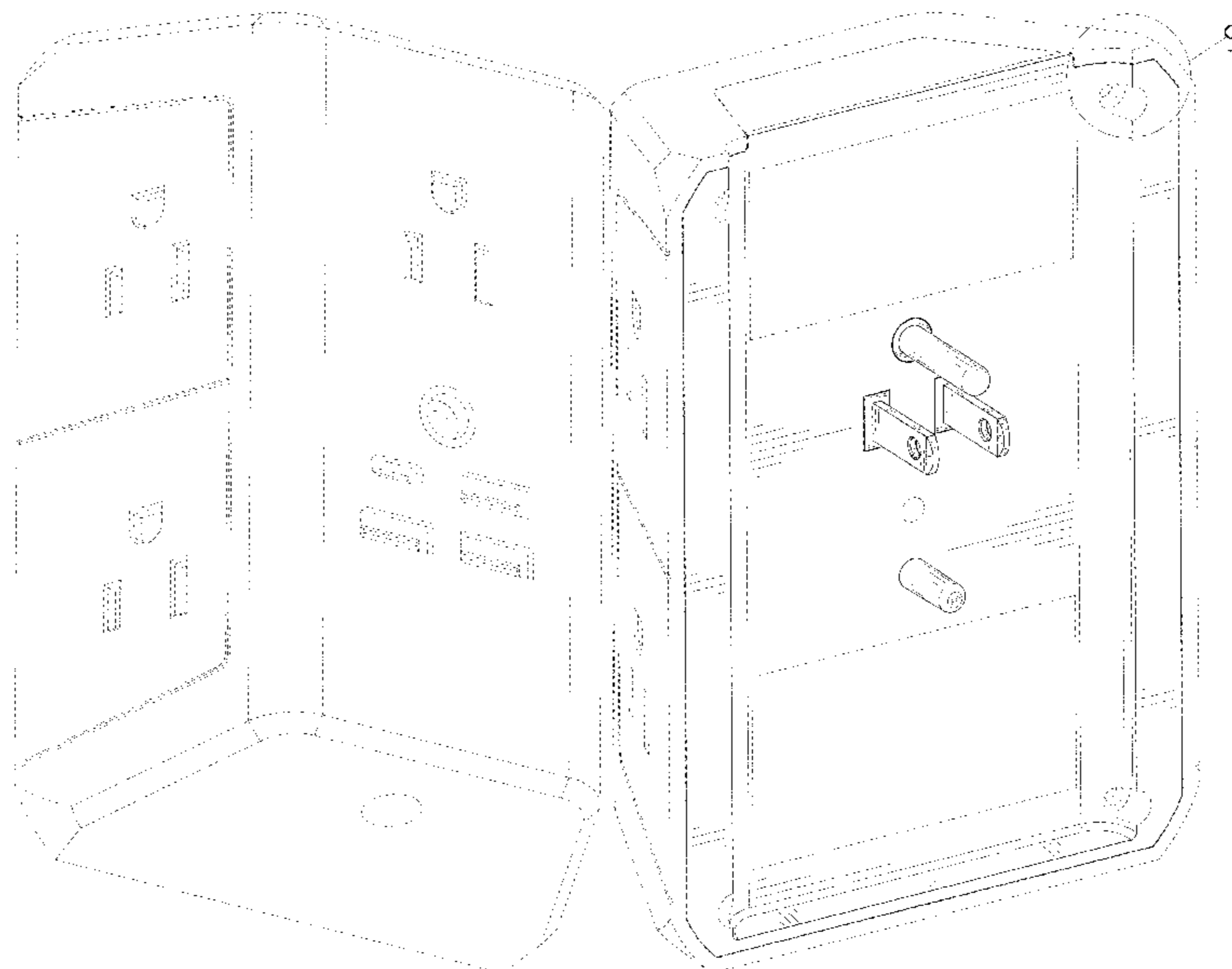
FIG. 1 is a perspective view of a socket showing my new design;
FIG. 2 is another perspective view thereof;
FIG. 3 is a front elevational view thereof;
FIG. 4 is a rear elevational view thereof;
FIG. 5 is a left side elevational view thereof;
FIG. 6 is a right side elevational view thereof;
FIG. 7 is a top plan view thereof;
FIG. 8 is a bottom plan view thereof; and,
FIG. 9 is an enlarged view of portion 9 shown in FIG. 2.
The dash-dash broken lines in the drawings depict portions of the socket that form no part of the claimed design. The dot-dash broken lines represent boundaries of the enlarged portions and form no part of the claimed design.

(56) **References Cited**

U.S. PATENT DOCUMENTS

D195,955 S * 8/1963 Carlson D13/137.1
3,997,225 A * 12/1976 Horwinski H01R 13/648
439/652
4,897,049 A * 1/1990 Miller H01R 25/006
439/652
D312,615 S * 12/1990 Schwartz D13/137.2
5,094,630 A * 3/1992 Jammet H01R 31/02
439/652
D361,315 S * 8/1995 Wedell D13/160
D364,379 S * 11/1995 Pogue D13/160
D367,038 S * 2/1996 Fladung D13/137.2
D379,796 S * 6/1997 Bagga D13/139.4
D443,589 S * 6/2001 Tong D13/137.2
D582,346 S * 12/2008 Zhou D13/137.2

1 Claim, 9 Drawing Sheets



(56)

References Cited

U.S. PATENT DOCUMENTS

D881,809 S * 4/2020 Lyu D13/137.2
 D881,821 S 4/2020 Lyu
 D895,554 S * 9/2020 Jianting D13/137.2
 D924,808 S * 7/2021 Bao D13/137.2
 11,271,351 B1 * 3/2022 Chen H01R 31/065
 D947,775 S * 4/2022 Rajasekaran D13/137.2
 D947,781 S * 4/2022 Wei D13/137.2
 D953,996 S * 6/2022 Zheng D13/137.2
 D957,340 S * 7/2022 Mei D13/137.1
 D957,342 S * 7/2022 Zhou D13/137.2
 D959,380 S * 8/2022 Liu D13/137.2
 D961,521 S * 8/2022 Zhou D13/137.2
 D964,938 S * 9/2022 Zhou D13/137.2
 D964,939 S * 9/2022 Chen D13/137.2
 D970,448 S * 11/2022 Zhou D13/137.2
 2004/0121648 A1 * 6/2004 Voros H01R 13/6215
 439/535

OTHER PUBLICATIONS

POWRUI Surge Protector, USB Wall Charger with 2 USB Charging Ports, dated May 29, 2018, [online], [site visited Mar. 30, 2022]. Available from Internet, URL: <https://www.amazon.com/dp/B07DCRVBYX/> (Year: 2018).*

* cited by examiner

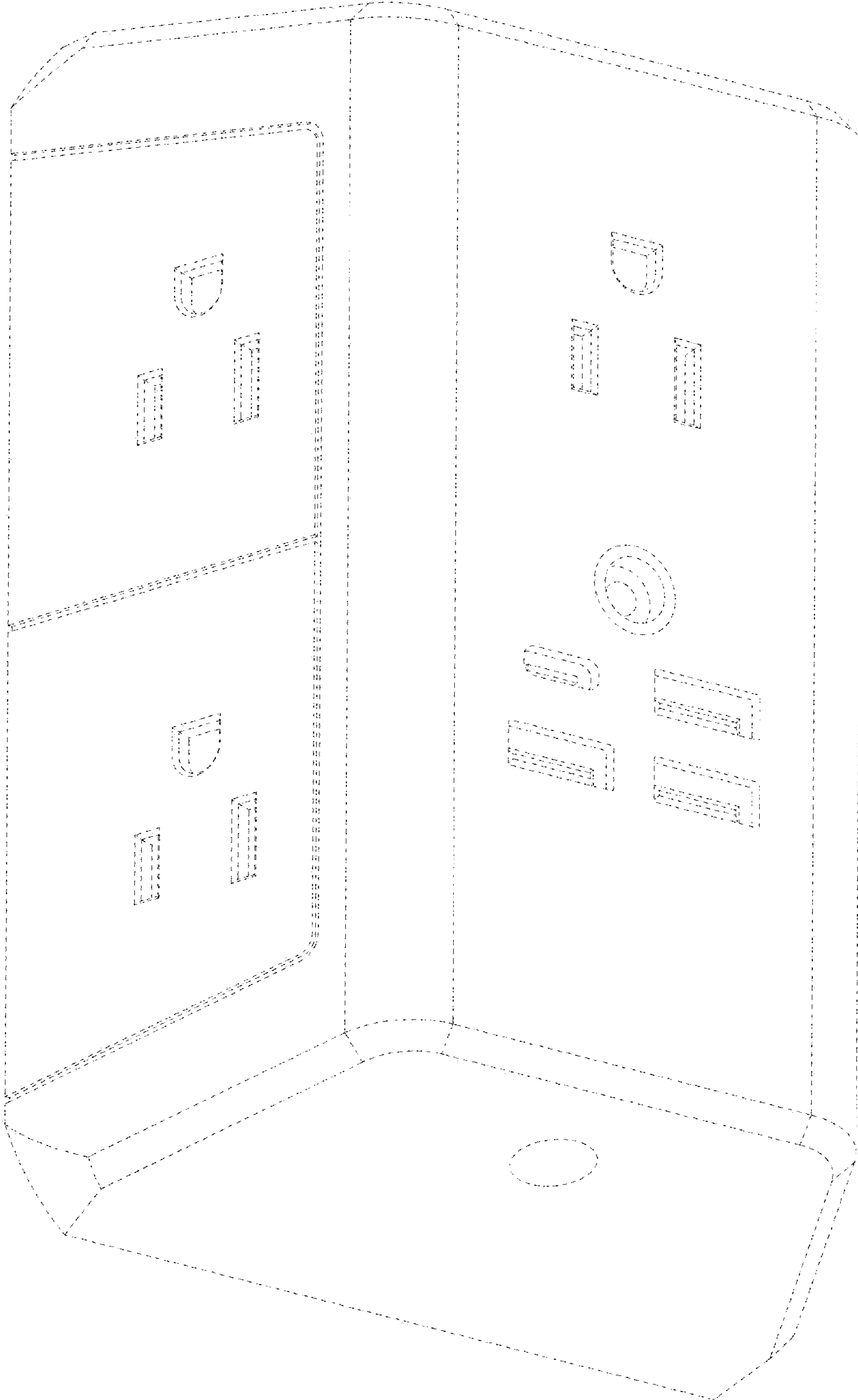


FIG. 1

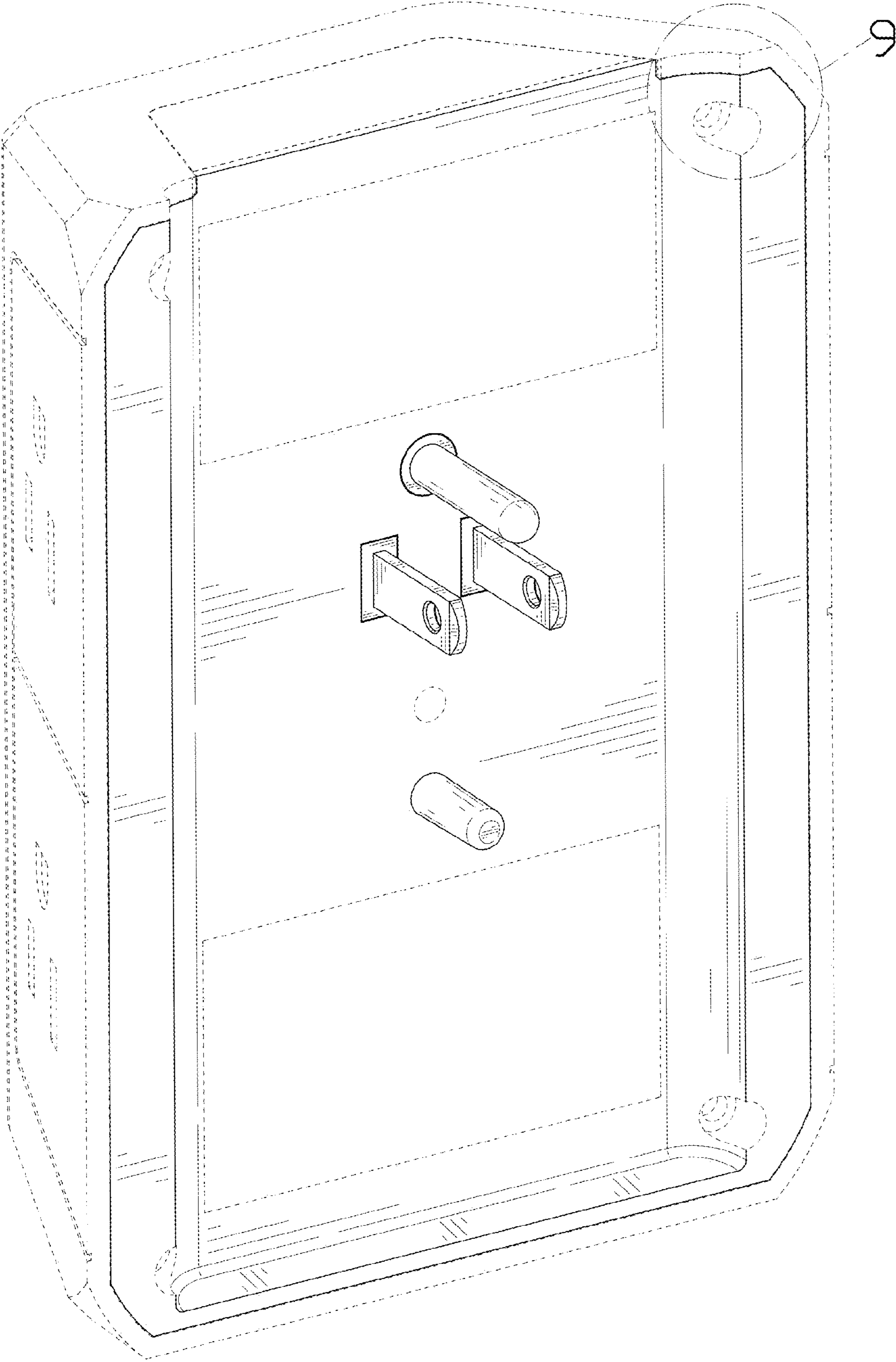


FIG. 2

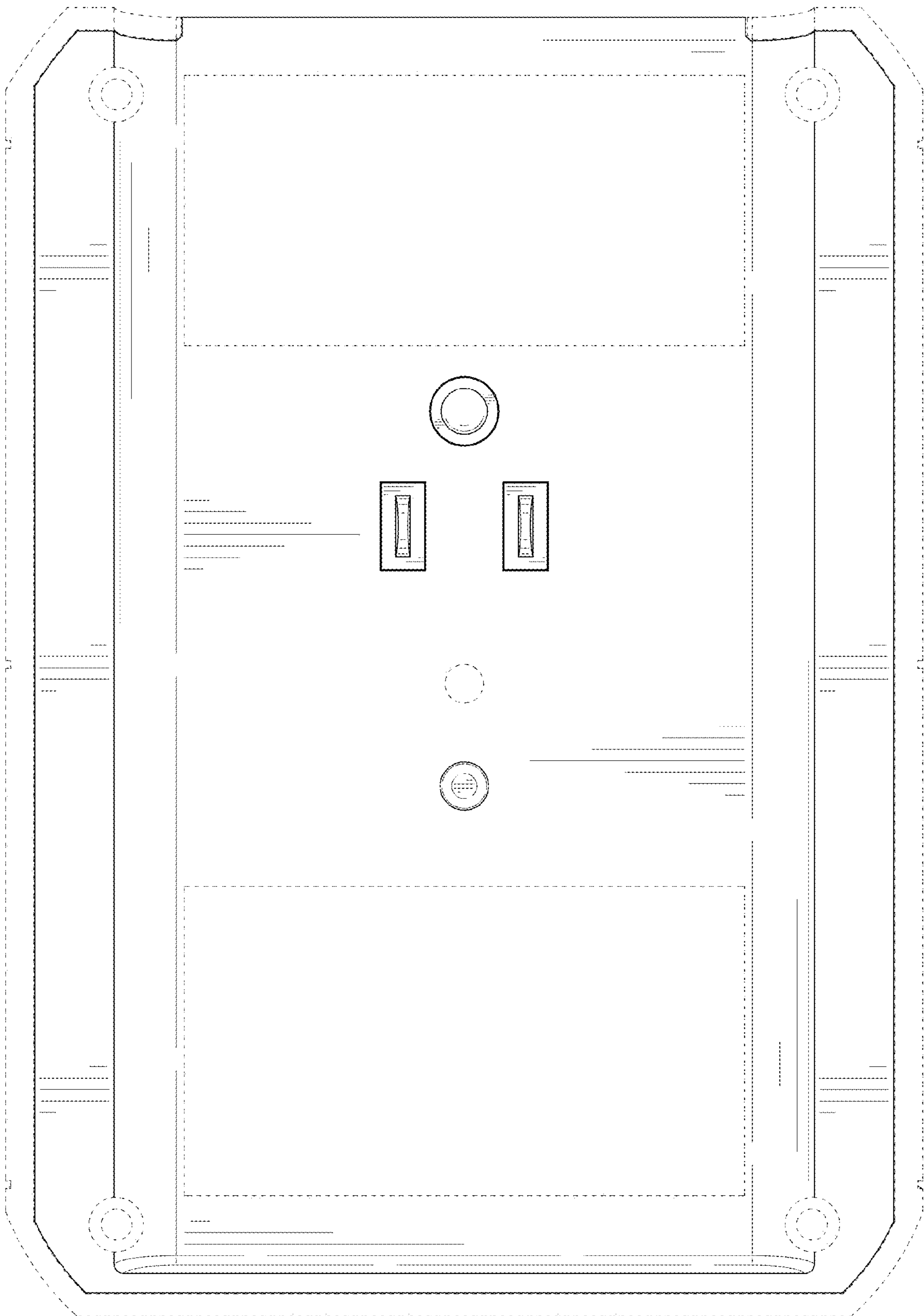


FIG. 3

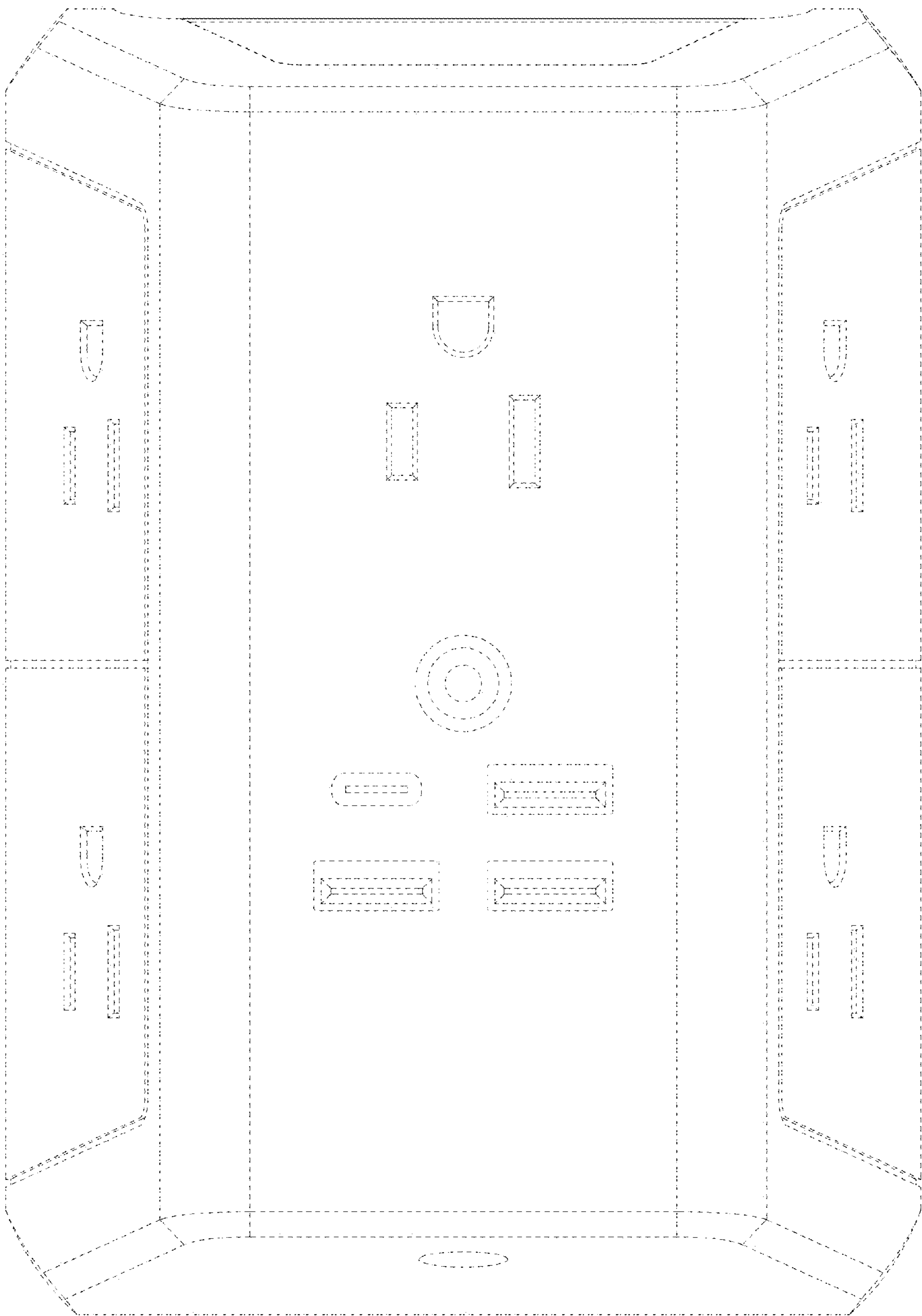


FIG. 4

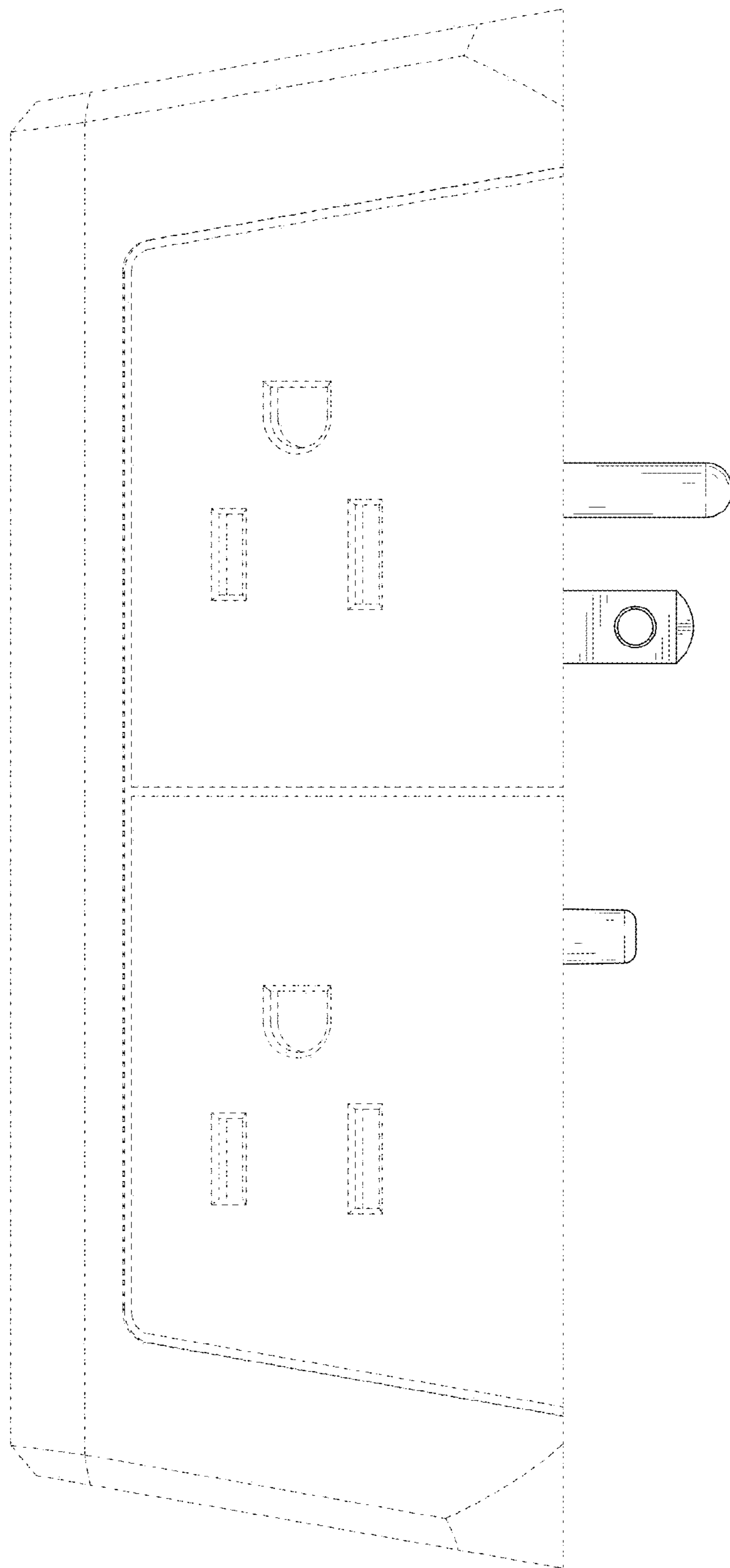


FIG. 5

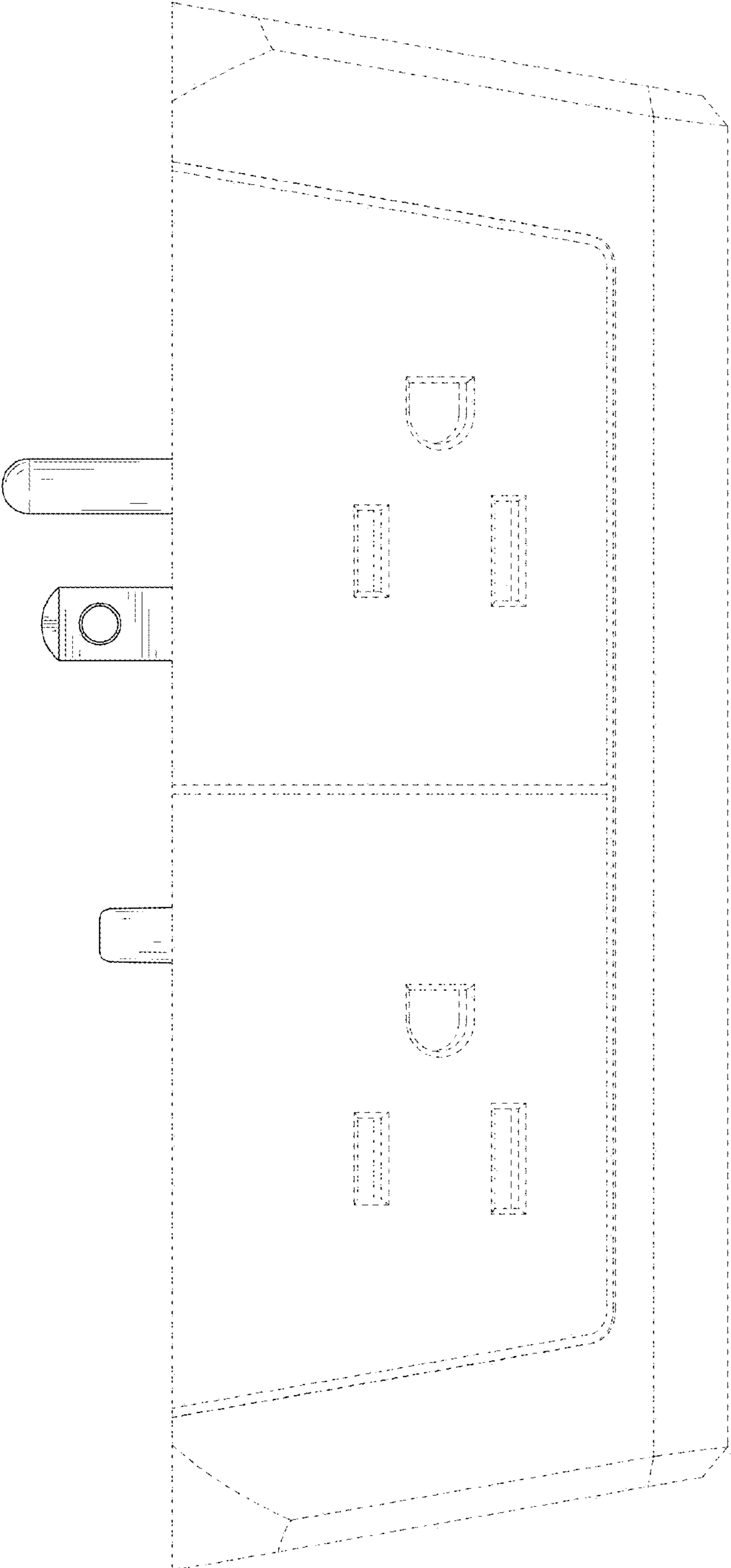


FIG. 6

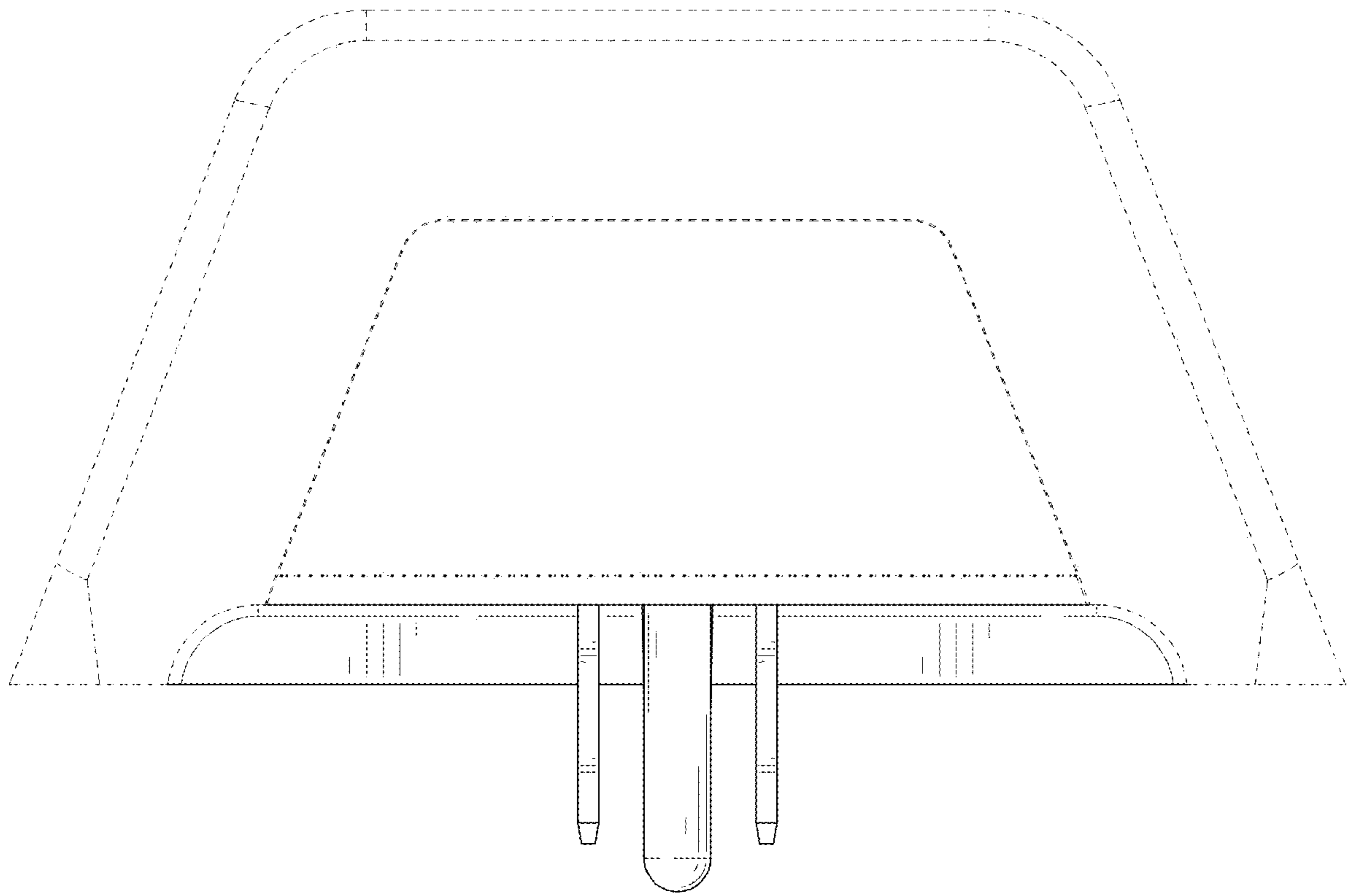


FIG. 7

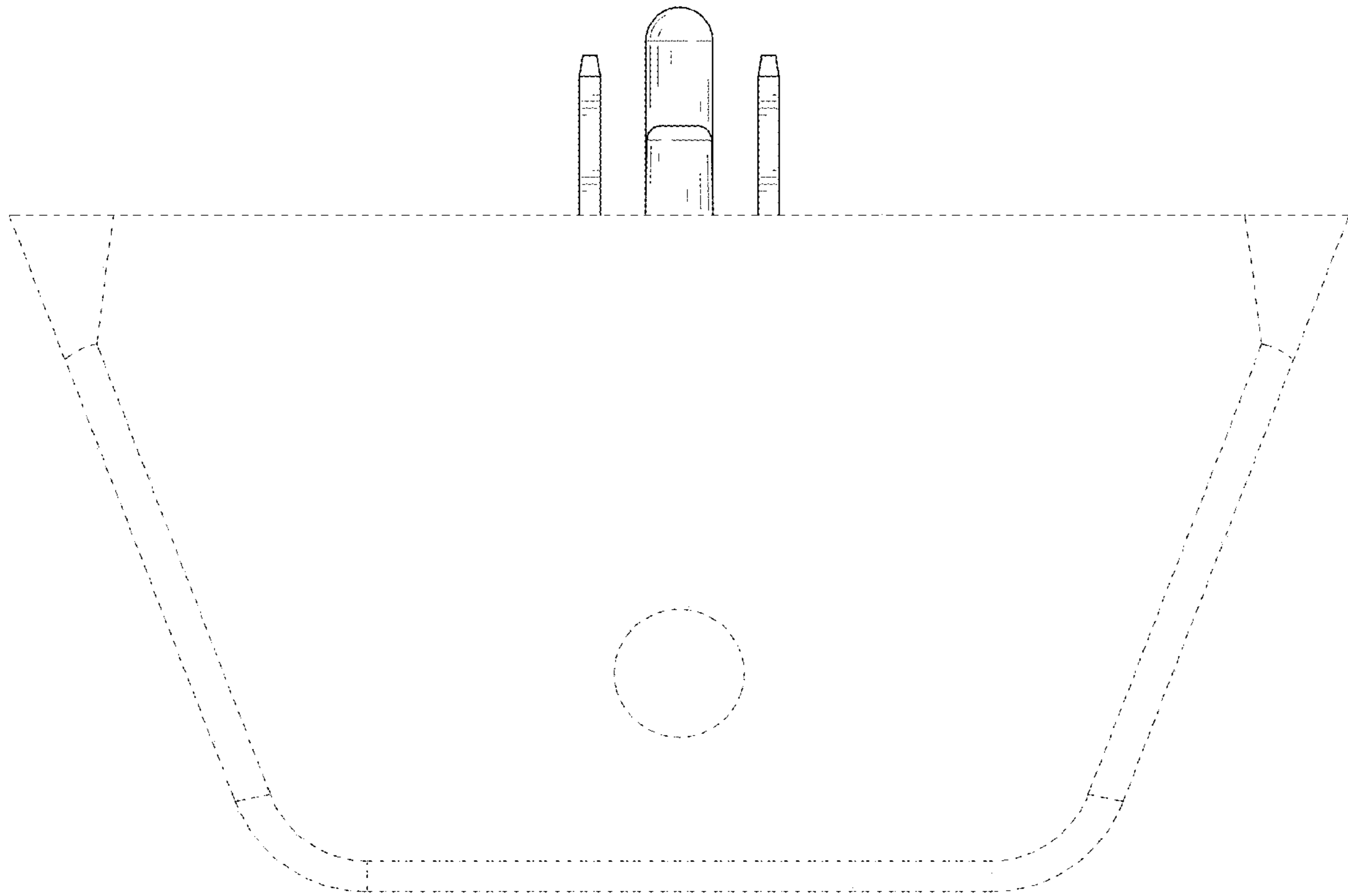


FIG. 8

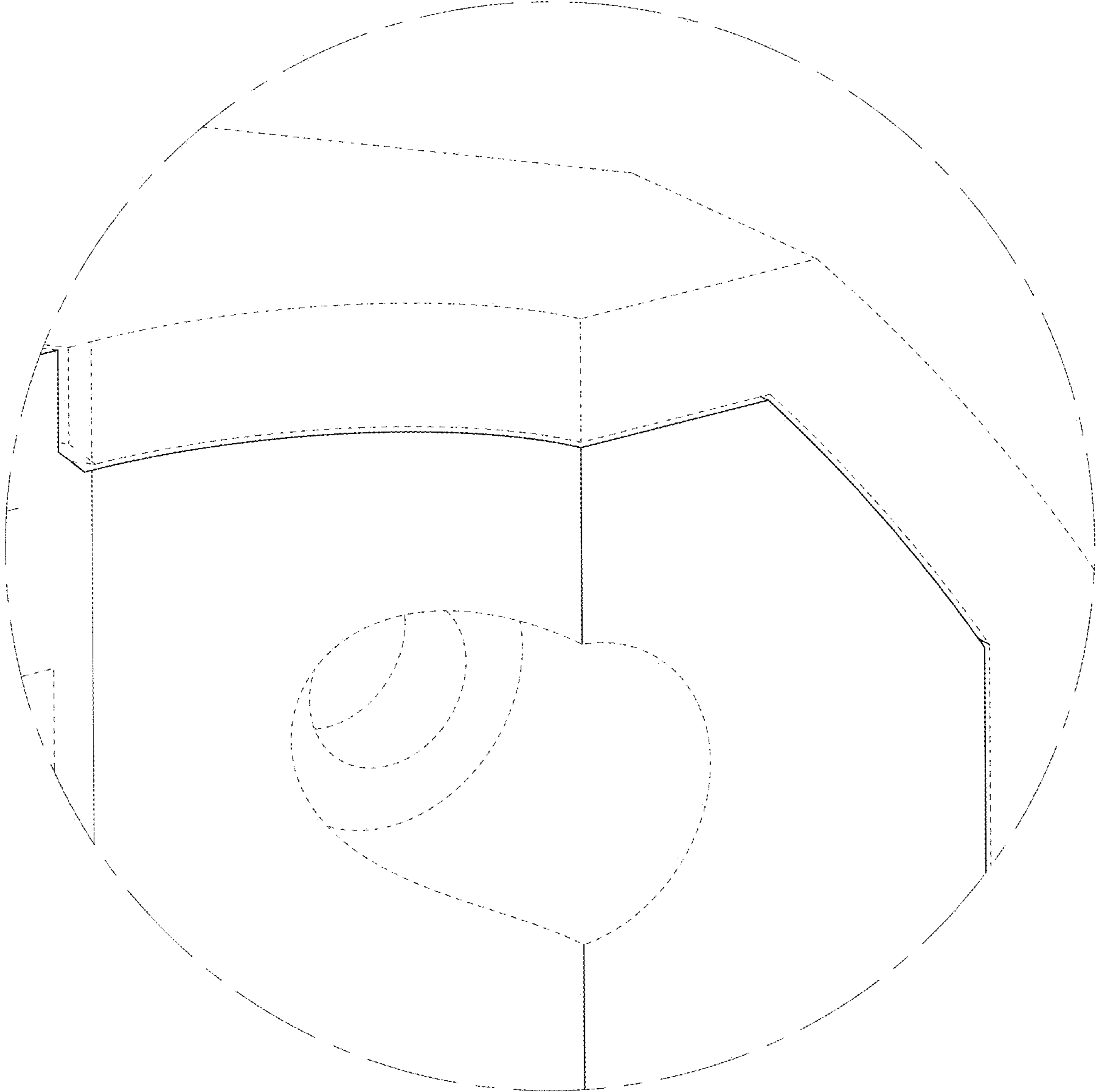


FIG. 9