



US00D975648S

(12) **United States Design Patent** (10) **Patent No.:** **US D975,648 S**
Ben Baruch et al. (45) **Date of Patent:** **** Jan. 17, 2023**

(54) **PLUGIN CONNECTOR**
(71) Applicant: **STRAUSS WATER LTD, Or Yehuda (IL)**
(72) Inventors: **Omer Ben Baruch, Kiryat Ono (IL); Eyal Krystal, Mazkeret Batia (IL); Dany Ascher, Herzeliya (IL); Meira Erez, Modiie'n (IL)**
(**) Term: **15 Years**
(21) Appl. No.: **35/512,113**
(22) Filed: **Jan. 7, 2021**
(80) **Hague Agreement Data**
Int. Filing Date: **Jan. 7, 2021**
Int. Reg. No.: **DM/214977**
Int. Reg. Date: **Jan. 7, 2021**
Int. Reg. Pub. Date: **Jul. 2, 2021**
(51) **LOC (14) Cl.** **13-03**
(52) **U.S. Cl.**
USPC **D13/133**
(58) **Field of Classification Search**
USPC D13/133, 120, 108, 147, 110, 146, 153;
D24/167
CPC .. A61N 1/3904; H05B 41/285; H01R 13/629;
H01R 43/24; H01R 13/743
See application file for complete search history.

(56) **References Cited**
U.S. PATENT DOCUMENTS
5,131,867 A * 7/1992 Pelozza H01R 13/743
439/384
5,547,394 A * 8/1996 Comstock H01R 13/743
439/557
D473,844 S * 4/2003 Bender D13/133
D588,989 S * 3/2009 Kok D13/133
D741,264 S * 10/2015 Vanbecelaere D13/120
D814,418 S * 4/2018 Kawakami D13/133

D827,574 S * 9/2018 Kawakami D13/133
D851,595 S * 6/2019 Chen D13/133
D904,311 S * 12/2020 Lambrecht D13/147
D911,527 S * 2/2021 Piha A61N 1/3904
D24/167
D915,290 S * 4/2021 Ghasabi D13/146
D916,031 S * 4/2021 Ghasabi D13/146
D920,907 S * 6/2021 Cox D13/108
D931,217 S * 9/2021 Kusano D13/133
D931,814 S * 9/2021 Haley D13/133
D934,176 S * 10/2021 Obata D13/133
D953,990 S * 6/2022 Egawa D13/133
D961,595 S * 8/2022 Saweris D13/110
2010/0009577 A1 * 1/2010 Fisher H05B 41/285
439/682
2010/0291804 A1 * 11/2010 Zhang H01R 43/24
439/660
2020/0295494 A1 * 9/2020 Fernandes H01R 13/629

* cited by examiner

Primary Examiner — Rhea Shields

(57) **CLAIM**

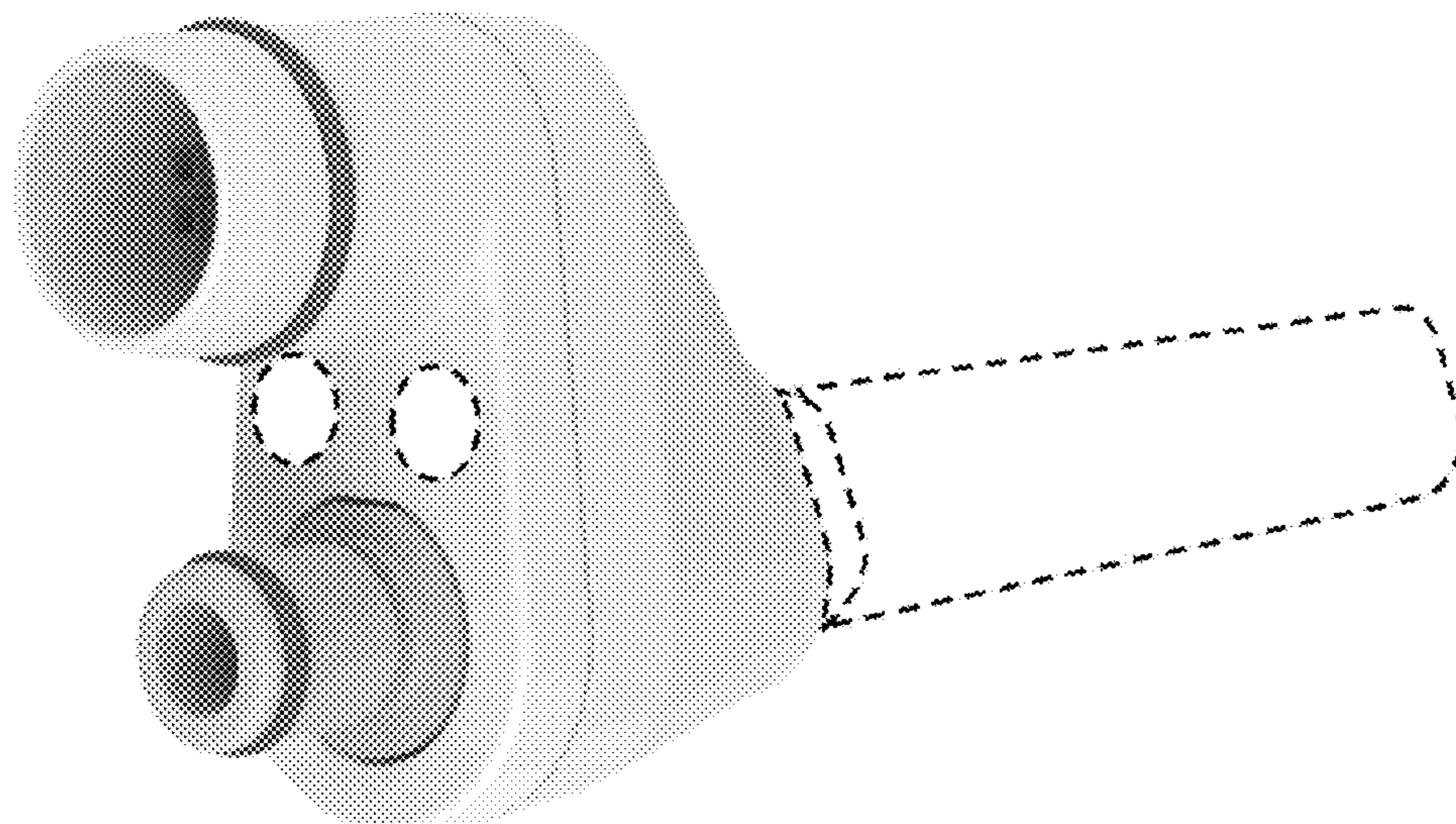
The ornamental design for a plug-in connector, as shown and described.

DESCRIPTION

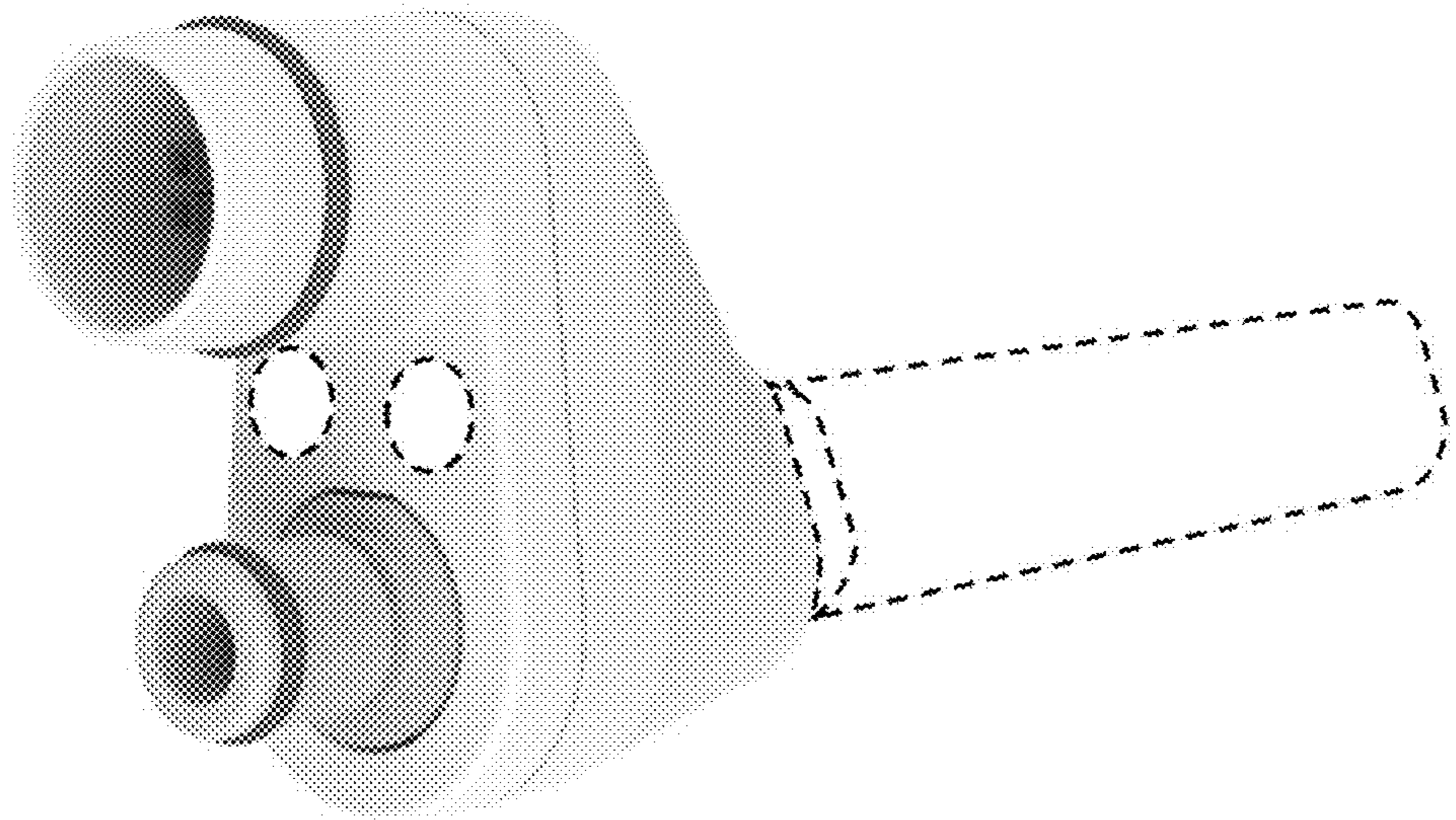
- 1. Plug-in connector
- 1.1 : Perspective (front, right side)
- 1.2 : Perspective (front, right side)
- 1.3 : Perspective (front, left side)
- 1.4 : Perspective (back, bottom, right side)
- 1.5 : Perspective (bottom, rear)
- 1.6 : Top
- 1.7 : Perspective (front)
- 1.8 : Back

The parts colored in white and delineated in broken lines are not part of the claimed design; right side of the design is a mirror image of the left side; the colors and color scheme appearing in the representations are not part of the claimed design.

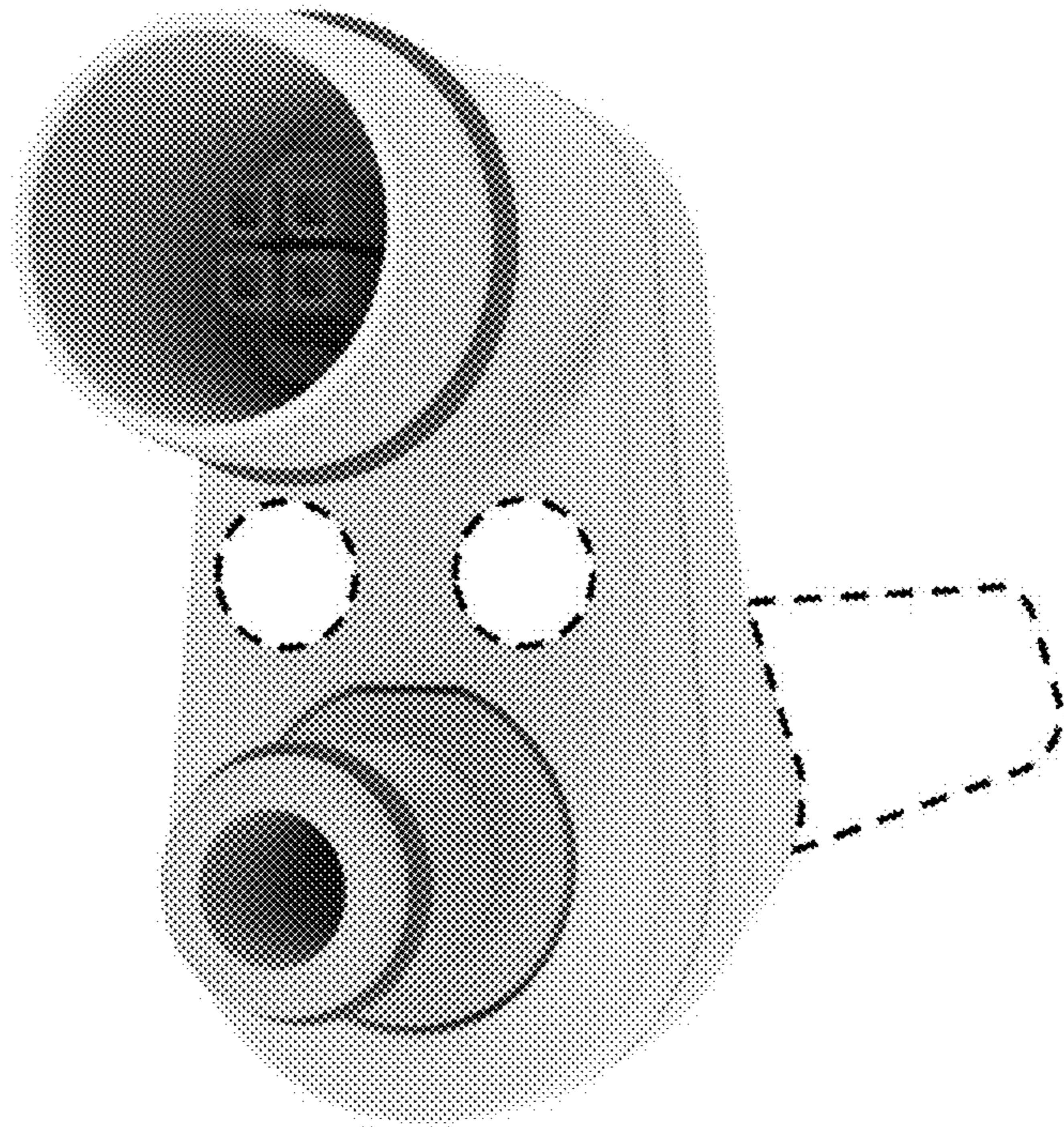
1 Claim, 8 Drawing Sheets



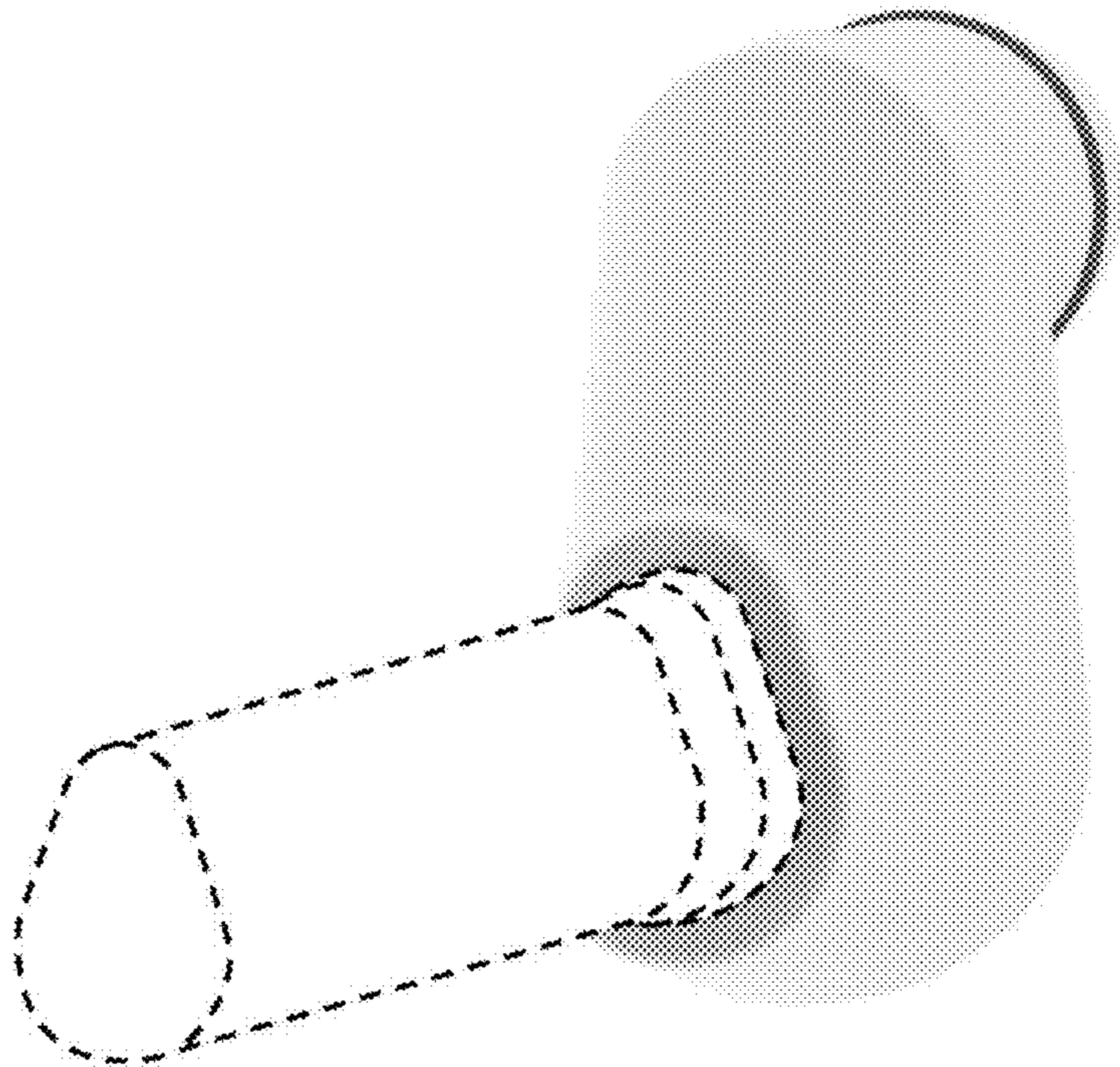
1.1



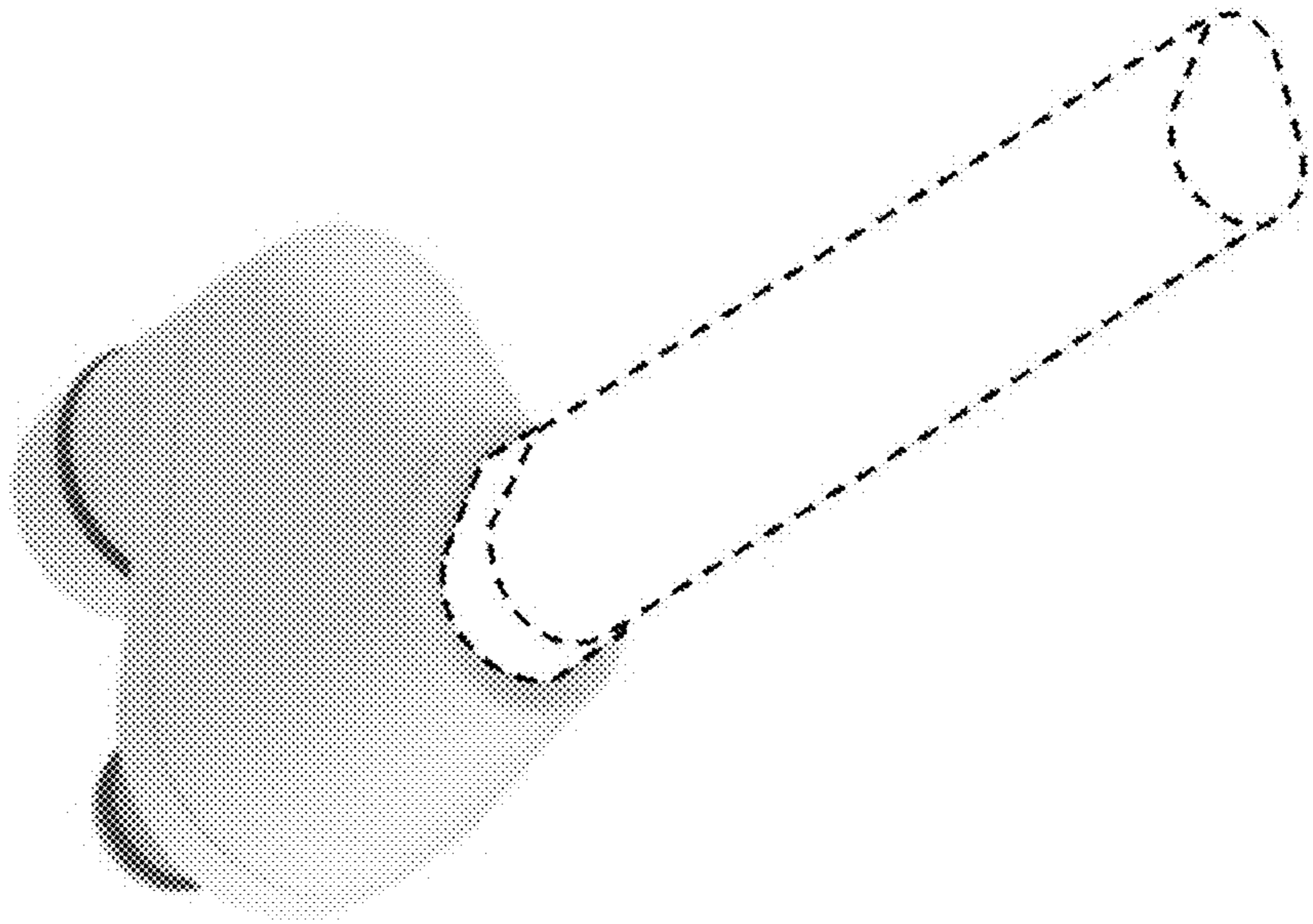
1.2



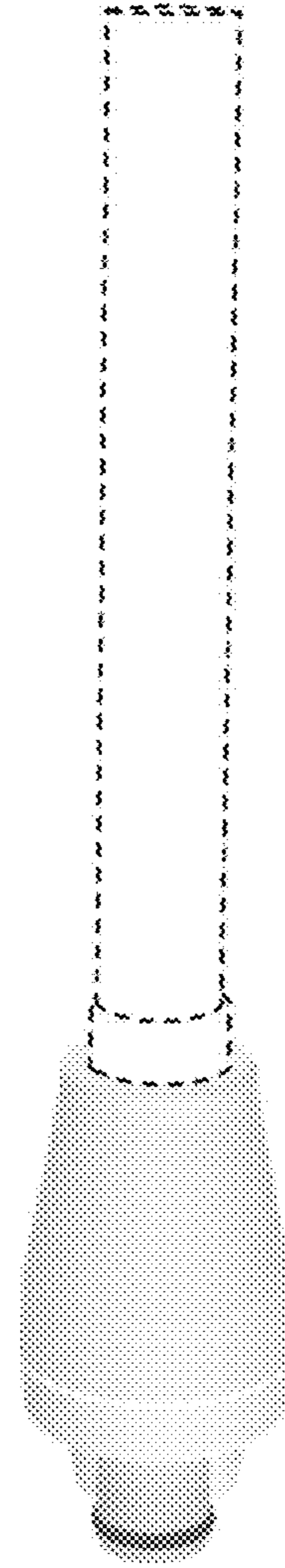
1.3



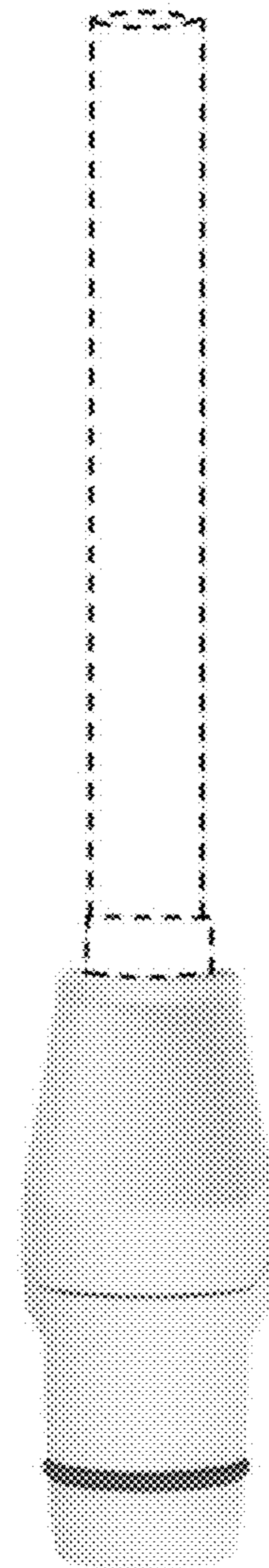
1.4



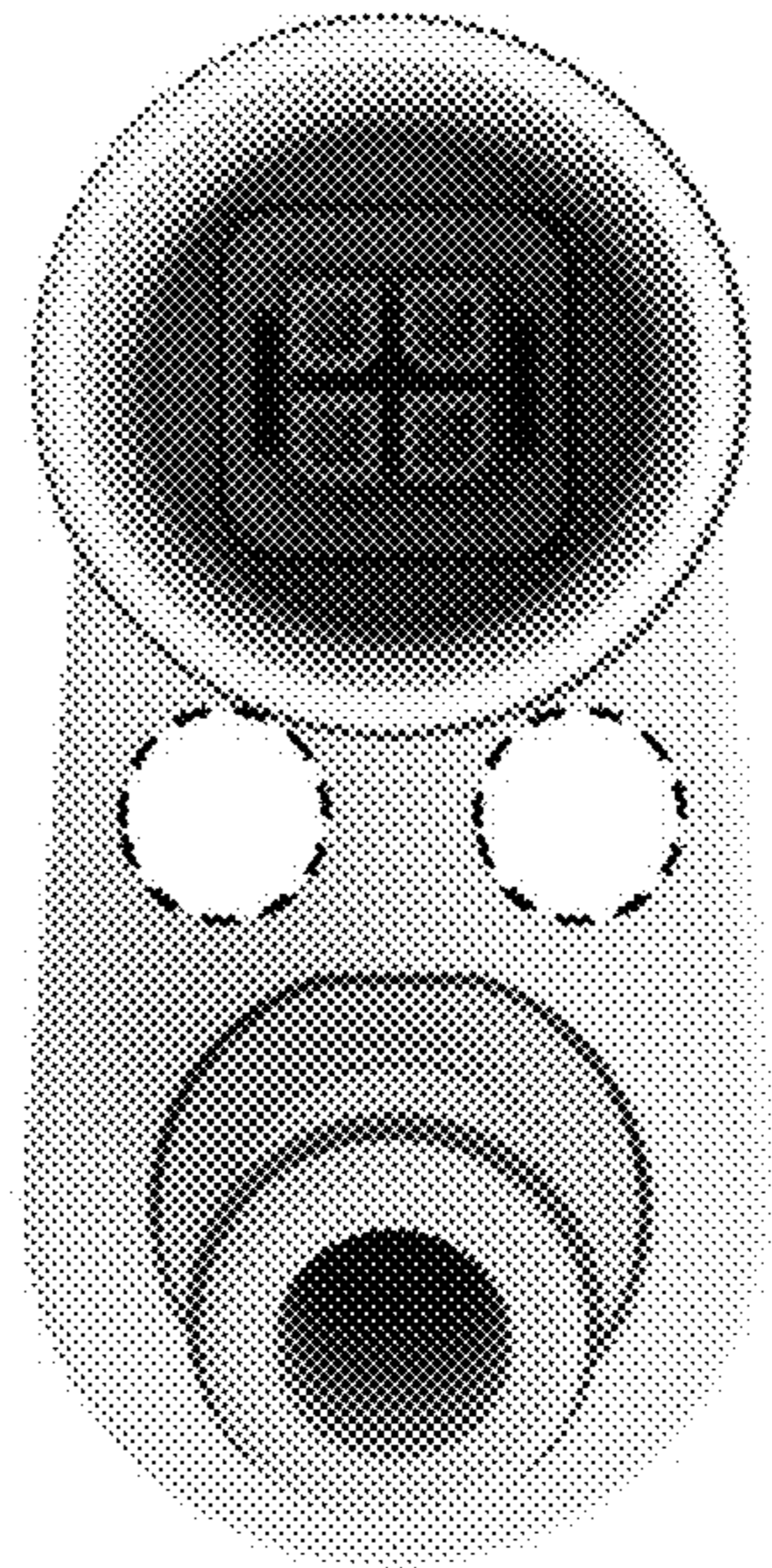
1.5



1.6



1.7



1.8

