



US00D975647S

(12) **United States Design Patent**
Shultz et al.

(10) **Patent No.:** **US D975,647 S**
(45) **Date of Patent:** **** Jan. 17, 2023**

(54) **ELECTRICAL CONNECTOR**

(71) Applicant: **Innovative Electrical Design, Inc.**,
Plattsburgh, NY (US)

(72) Inventors: **Preston D. Shultz**, Woodstock, CT
(US); **Kevin Crawl**, Lewis, NY (US)

(73) Assignee: **Innovative Electrical Design, Inc.**,
Plattsburgh, NY (US)

(**) Term: **15 Years**

(21) Appl. No.: **29/772,537**

(22) Filed: **Mar. 2, 2021**

(51) **LOC (14) Cl.** **13-03**

(52) **U.S. Cl.**
USPC **D13/133; D13/147**

(58) **Field of Classification Search**
USPC D13/133, 138.1, 139.1, 146-147, 149,
D13/153-154, 199; D14/433
CPC H01R 13/62; H01R 13/66; H01R 13/6335;
H01R 13/6658; H01R 24/28; H04R 1/406
See application file for complete search history.

(56) **References Cited**

U.S. PATENT DOCUMENTS

3,824,524	A *	7/1974	Glover	H01R 13/62 439/282
D434,377	S *	11/2000	Bussett	D13/133
D552,560	S *	10/2007	Victor	D13/133
D589,453	S *	3/2009	Zhao	D13/147
D623,145	S *	9/2010	Amidon	D13/154
D637,160	S *	5/2011	Hu	D13/147
D644,182	S *	8/2011	Hu	D13/147
D678,201	S *	3/2013	Corona	D13/133
D684,537	S *	6/2013	Herink	D13/133
D755,723	S *	5/2016	Kuhnert	D13/146
D841,008	S *	2/2019	Yu	D14/433
10,986,431	B2 *	4/2021	Lamb	H04R 1/406

D957,397 S * 7/2022 Thoma D14/433
2015/0135491 A1 * 5/2015 Leng H01R 13/6335
24/596.1

* cited by examiner

Primary Examiner — Shawn T Gingrich
Assistant Examiner — Bryan N. Melvin
(74) *Attorney, Agent, or Firm* — Downs Rachlin Martin
PLLC

(57) **CLAIM**

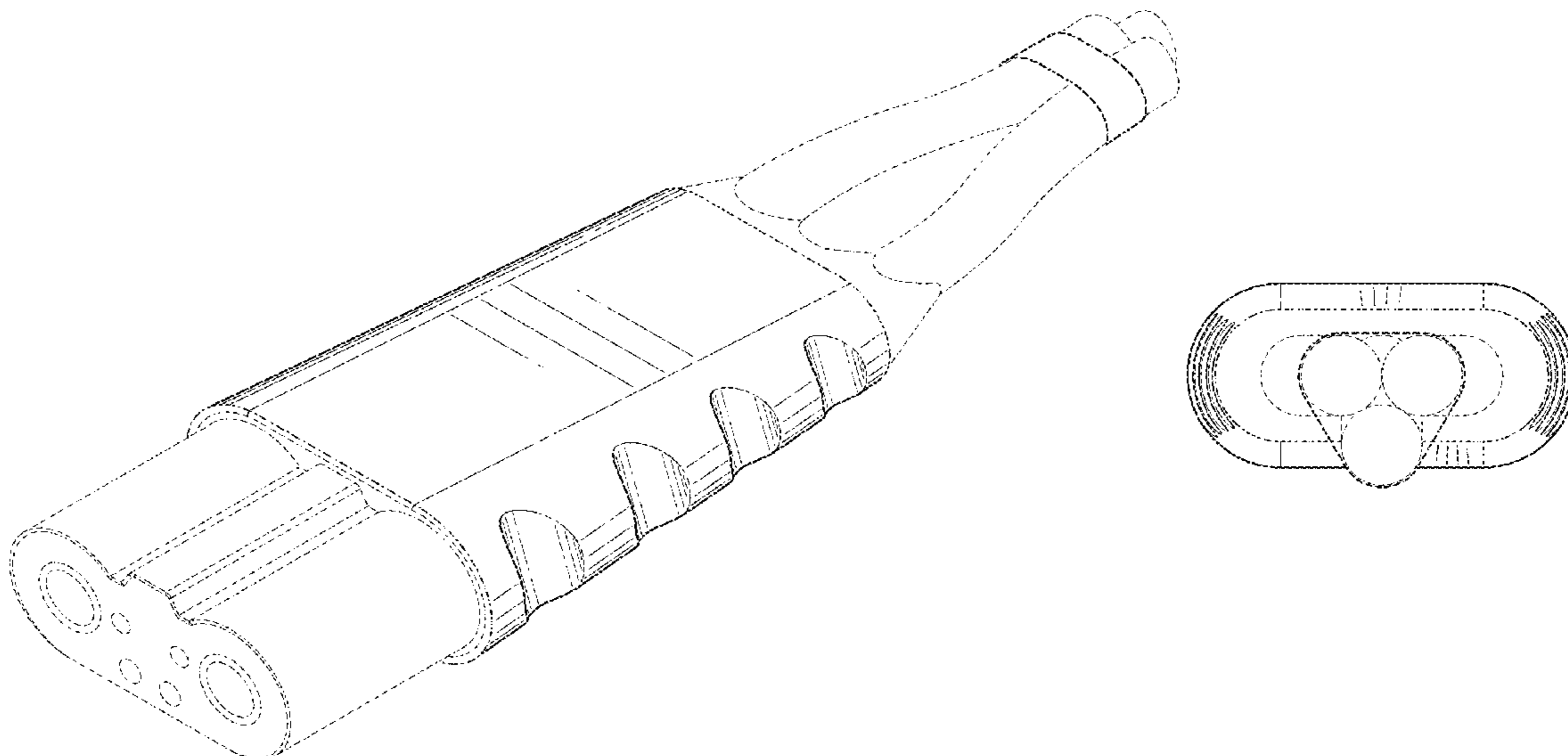
The ornamental design for an electrical connector, as shown and described.

DESCRIPTION

FIG. 1 is a perspective view of a female electrical connector showing our new design;
FIG. 2 is a front view thereof;
FIG. 3 is a rear view thereof;
FIG. 4 is a side view thereof;
FIG. 5 is a second side view thereof;
FIG. 6 is a top view thereof;
FIG. 7 is a bottom view thereof;
FIG. 8 is a perspective view of a male electrical connector showing our new design;
FIG. 9 is a front view thereof;
FIG. 10 is a rear view thereof;
FIG. 11 is a side view thereof;
FIG. 12 is a second side view thereof;
FIG. 13 is a top view thereof; and,
FIG. 14 is a bottom view thereof.

The Dash-Dash broken lines illustrate features of the electrical connector and form no part of the claimed design. The Dash-Dot-Dash broken lines represents the claim boundary and form no part of the claimed design. The broken lines in the Figures are for the purpose of illustrating unclaimed portions of the electrical connector and form no part of the claimed design. The shade lines in the Figures show contour and not surface ornamentation.

1 Claim, 14 Drawing Sheets



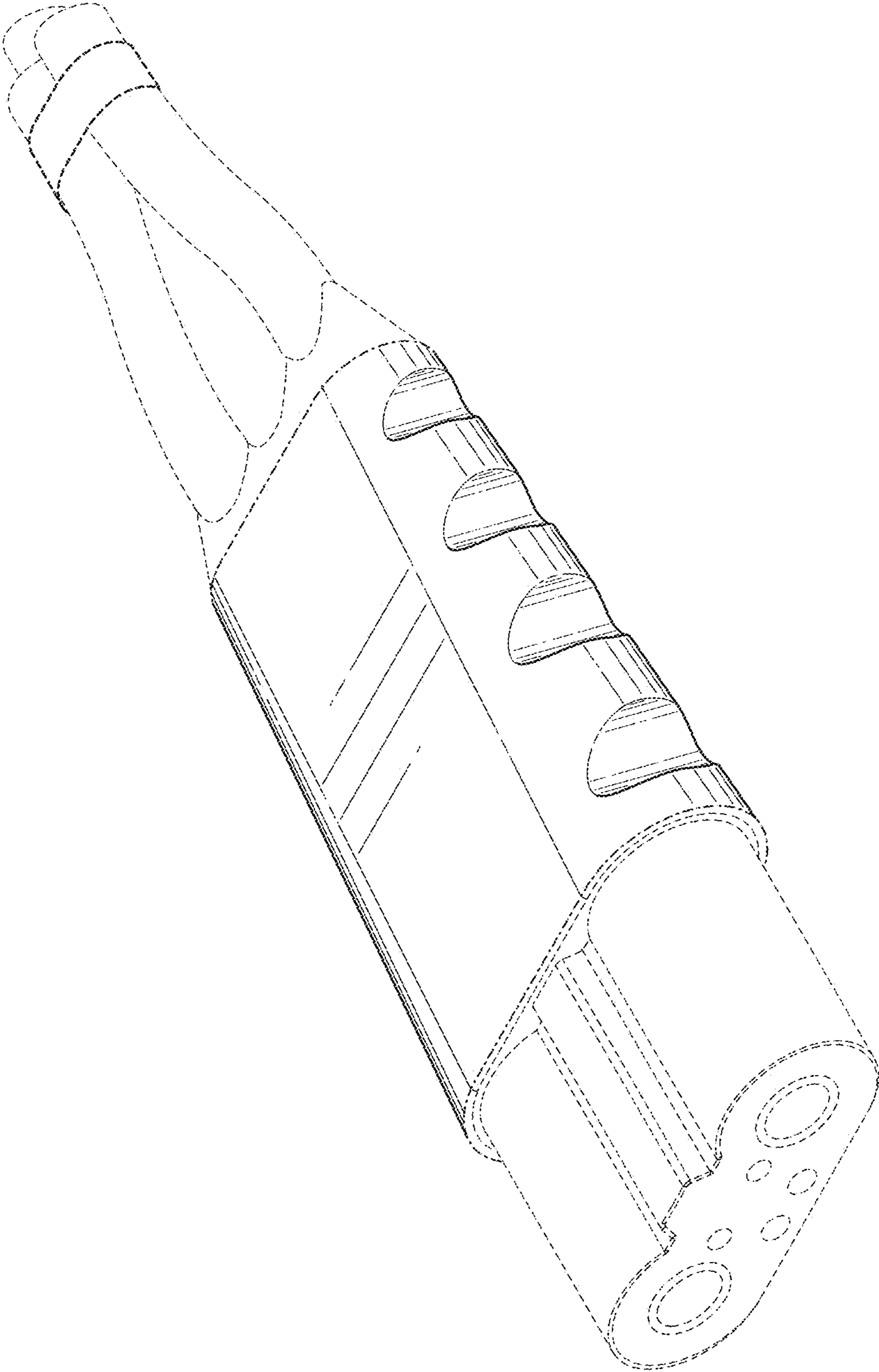


FIG. 1

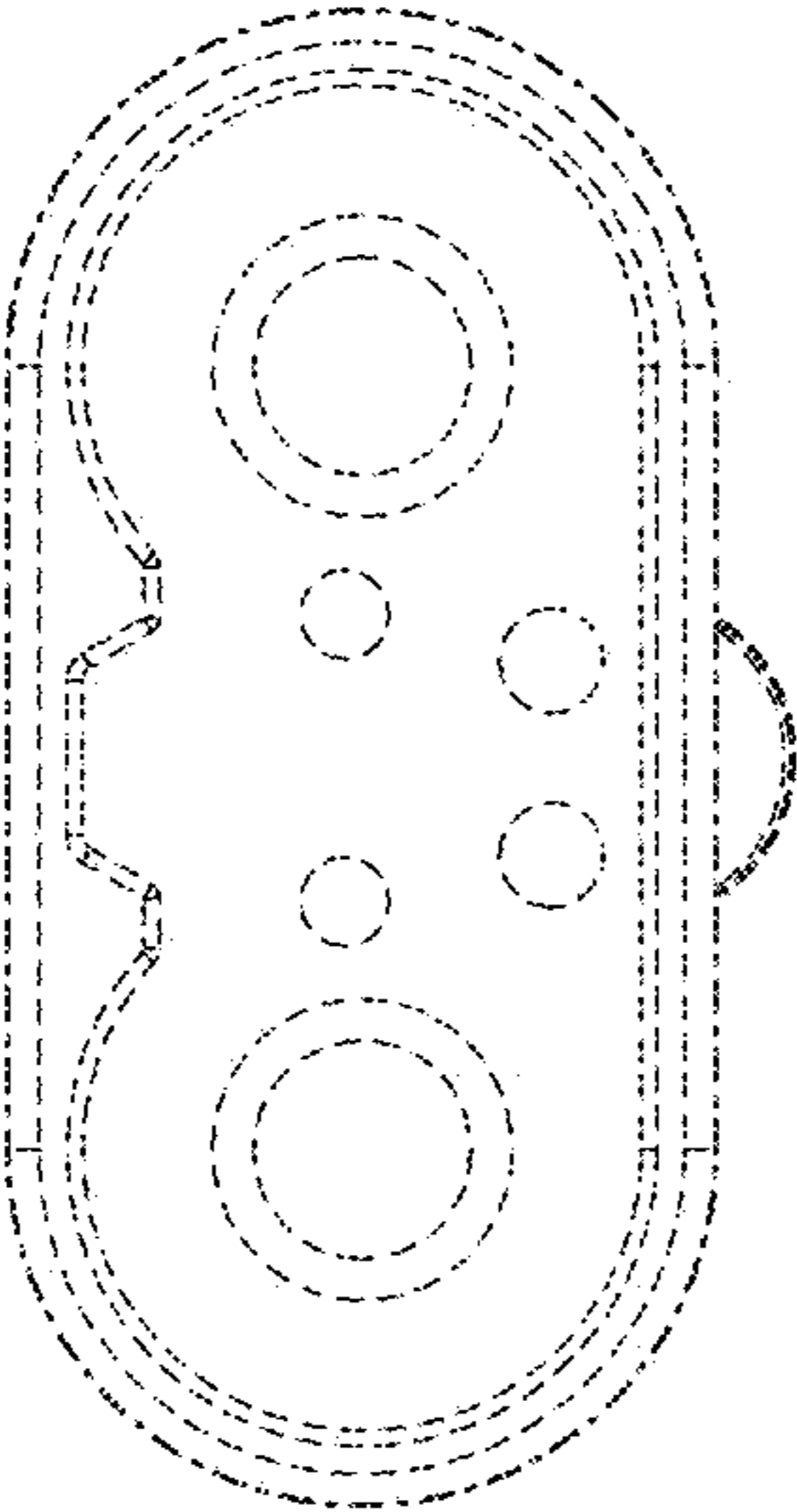


FIG. 2

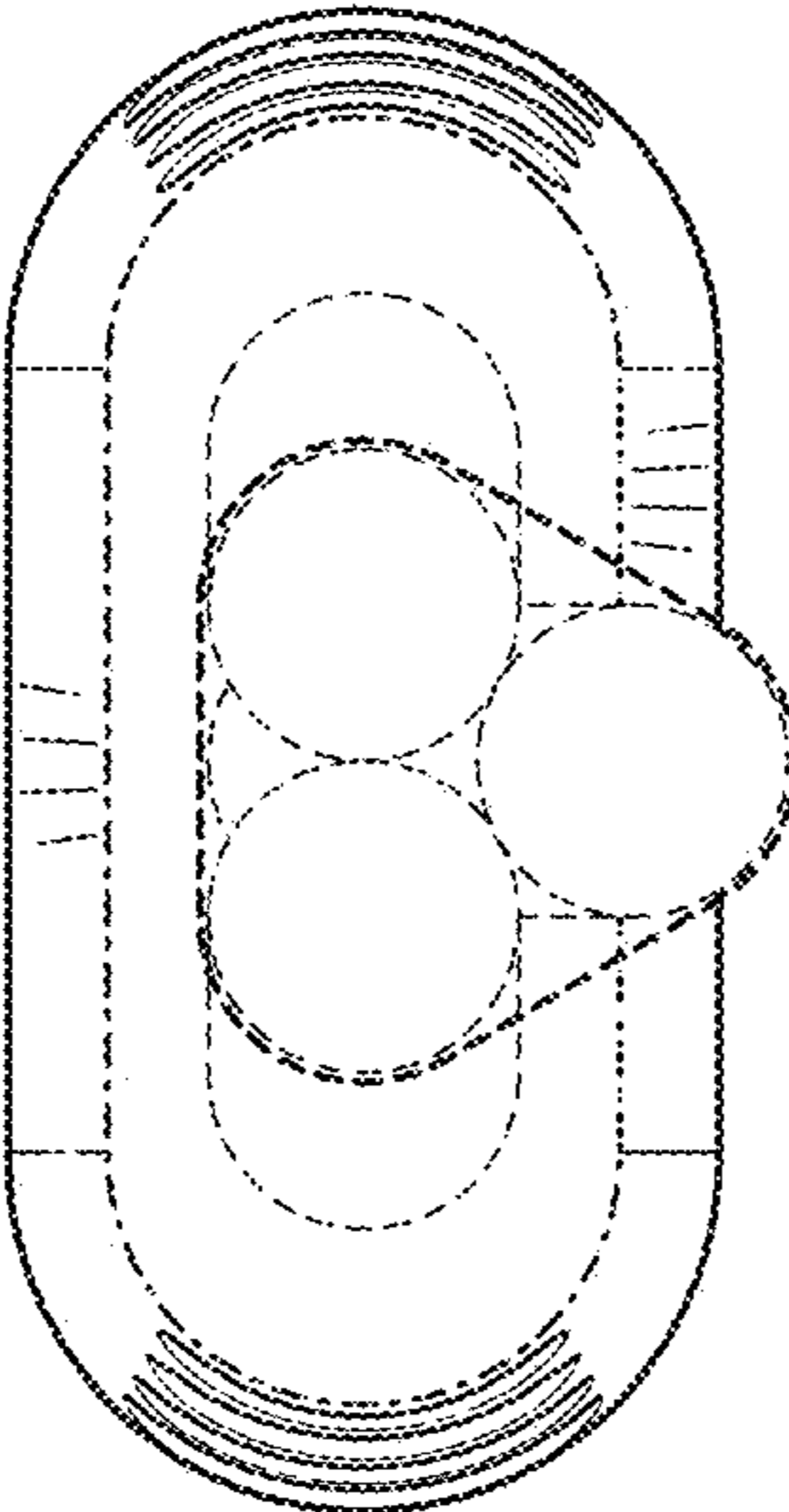


FIG. 3

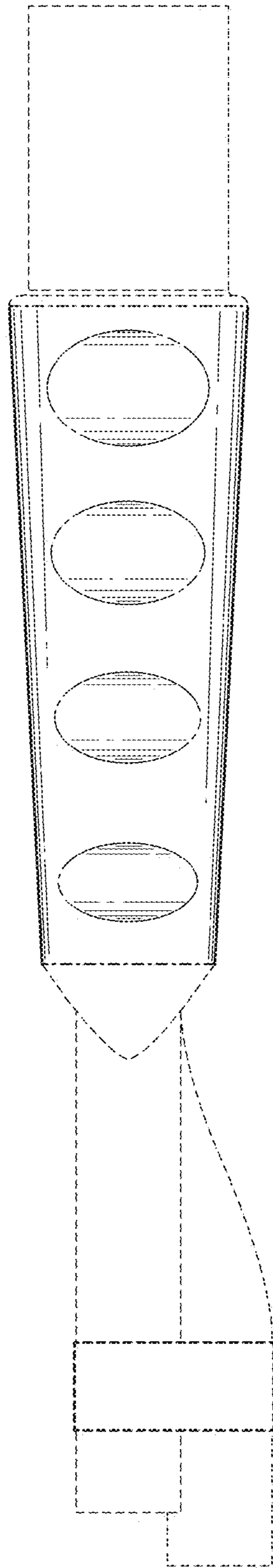


FIG. 4

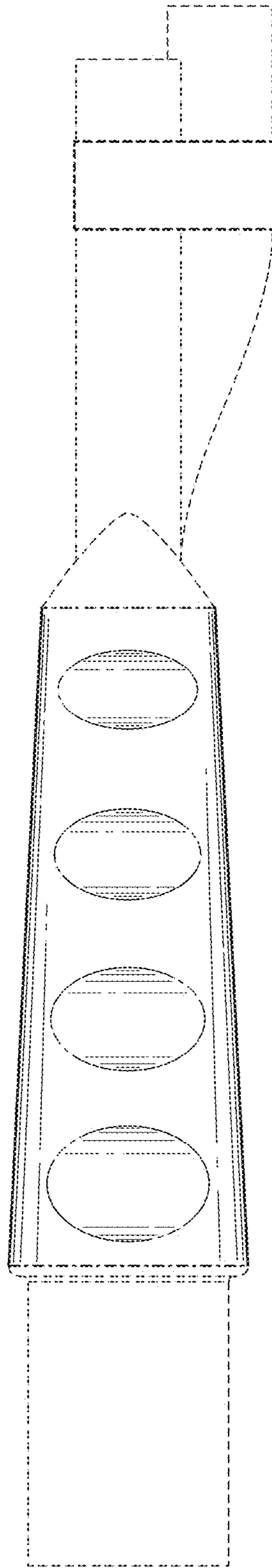


FIG. 5

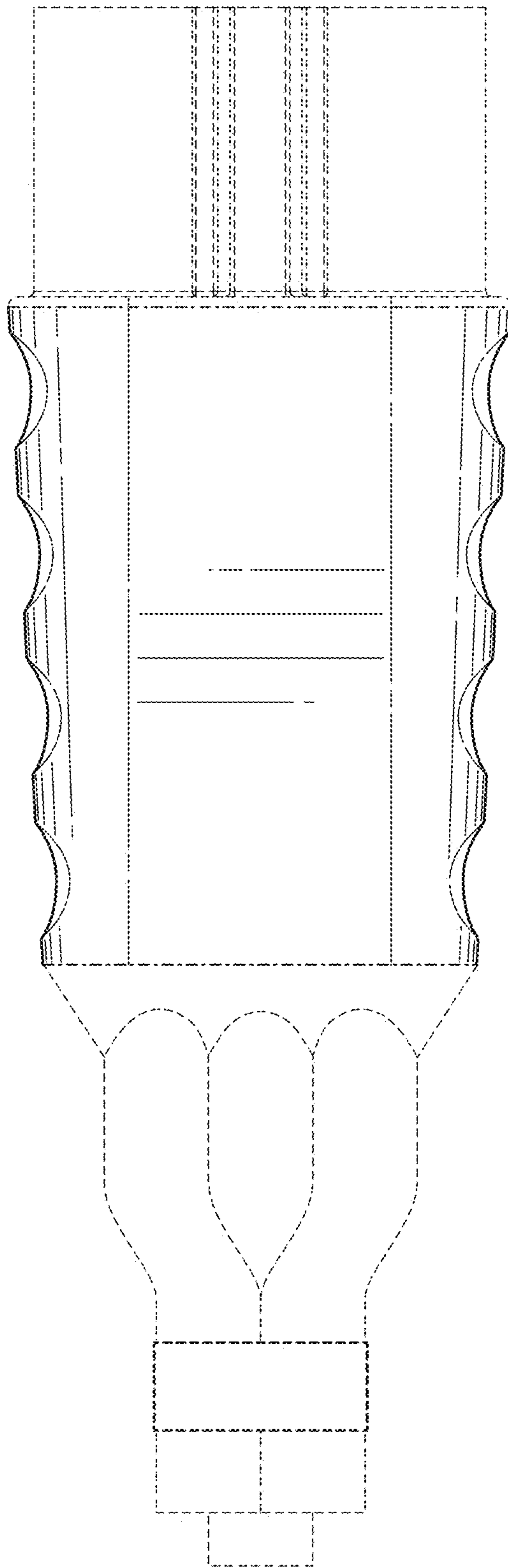


FIG. 6

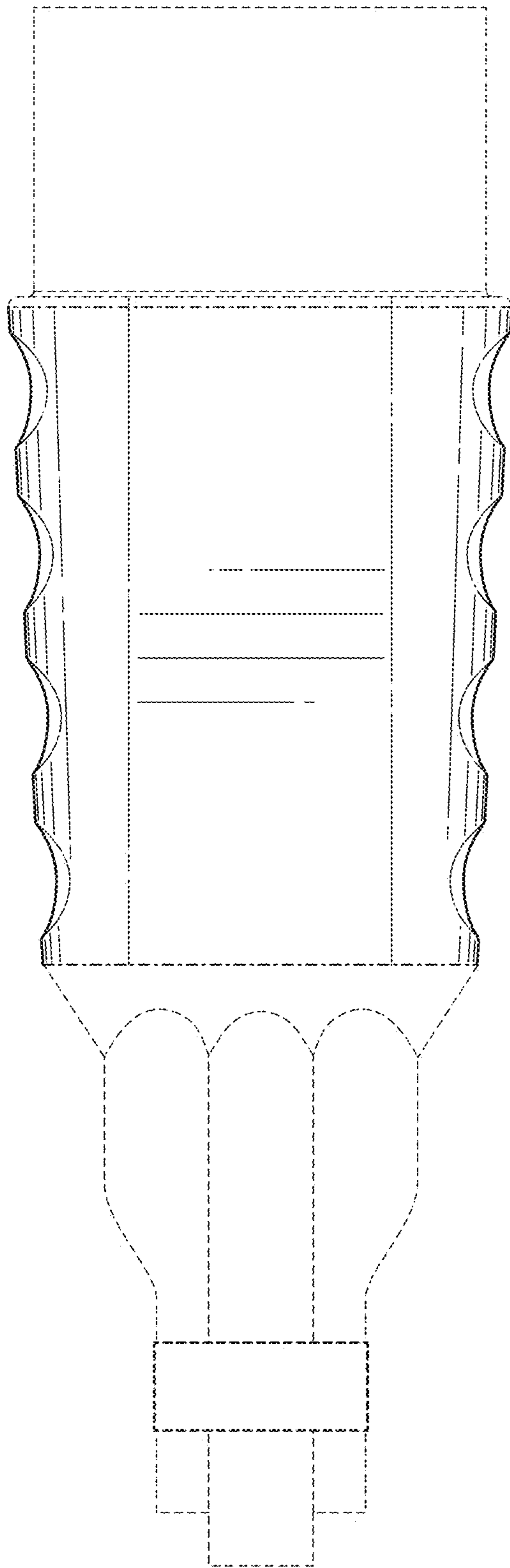


FIG. 7

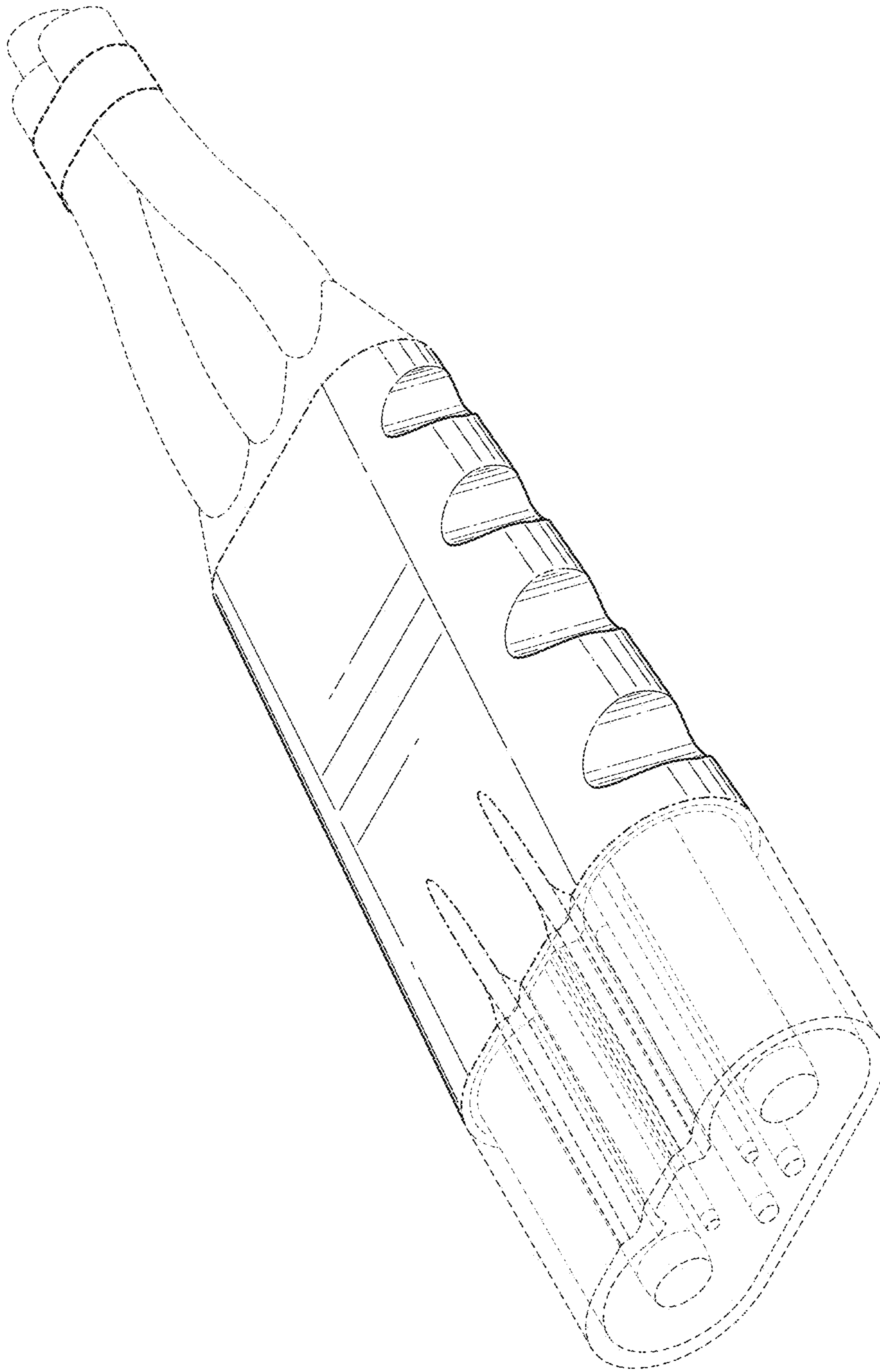


FIG. 8

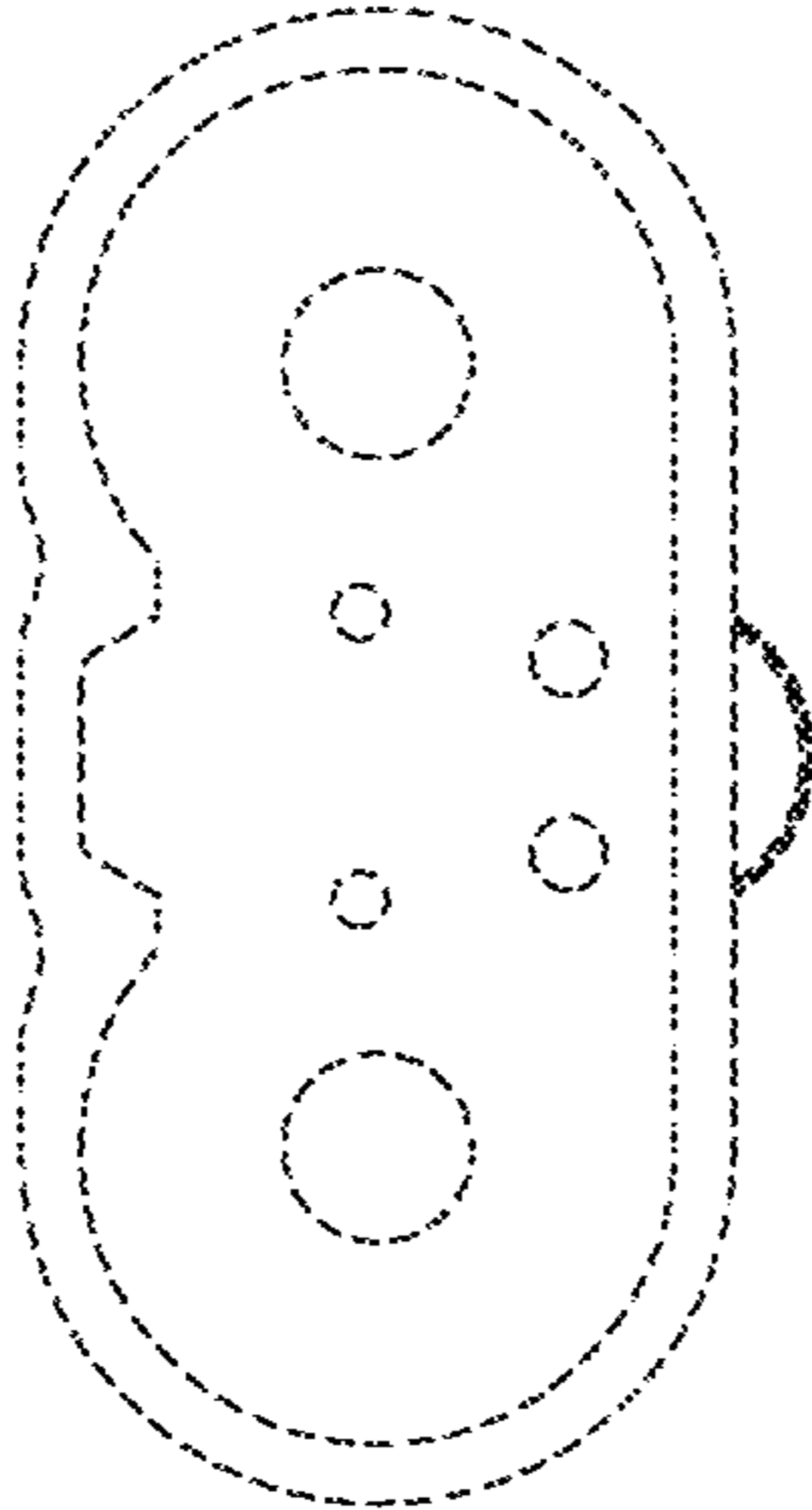


FIG. 9

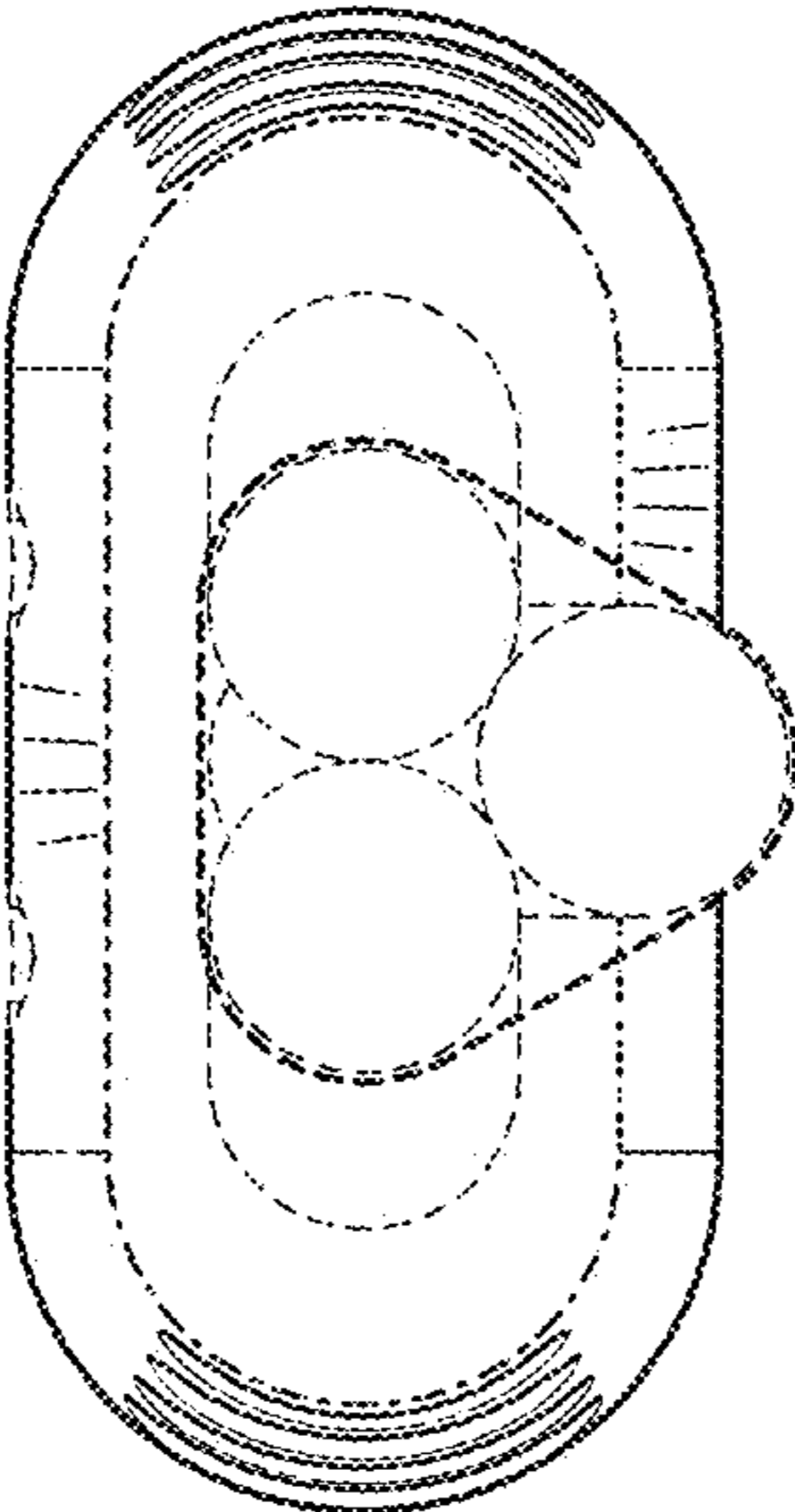


FIG. 10

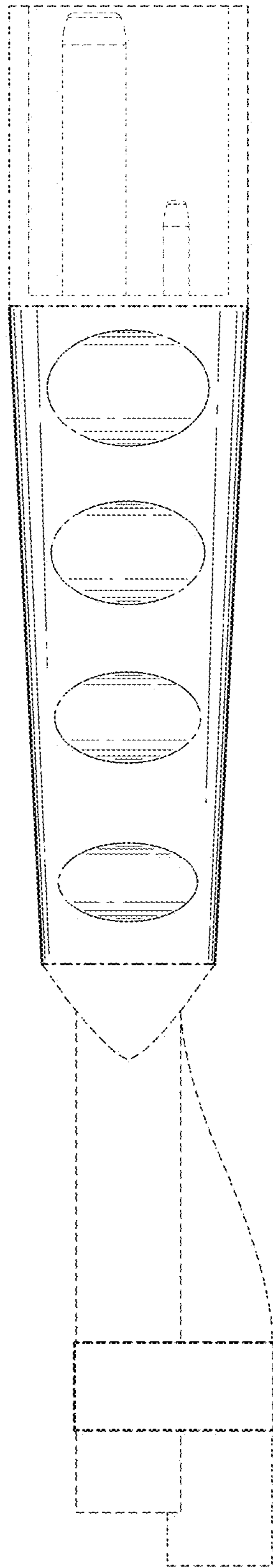


FIG. 11

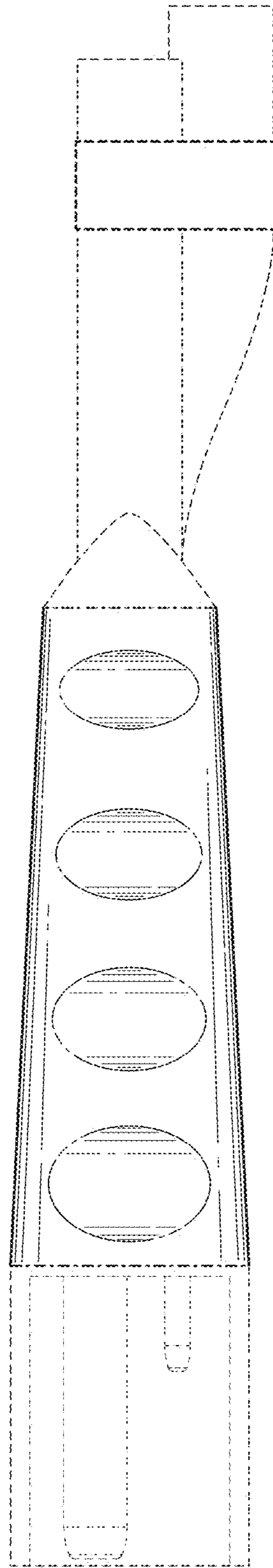


FIG. 12

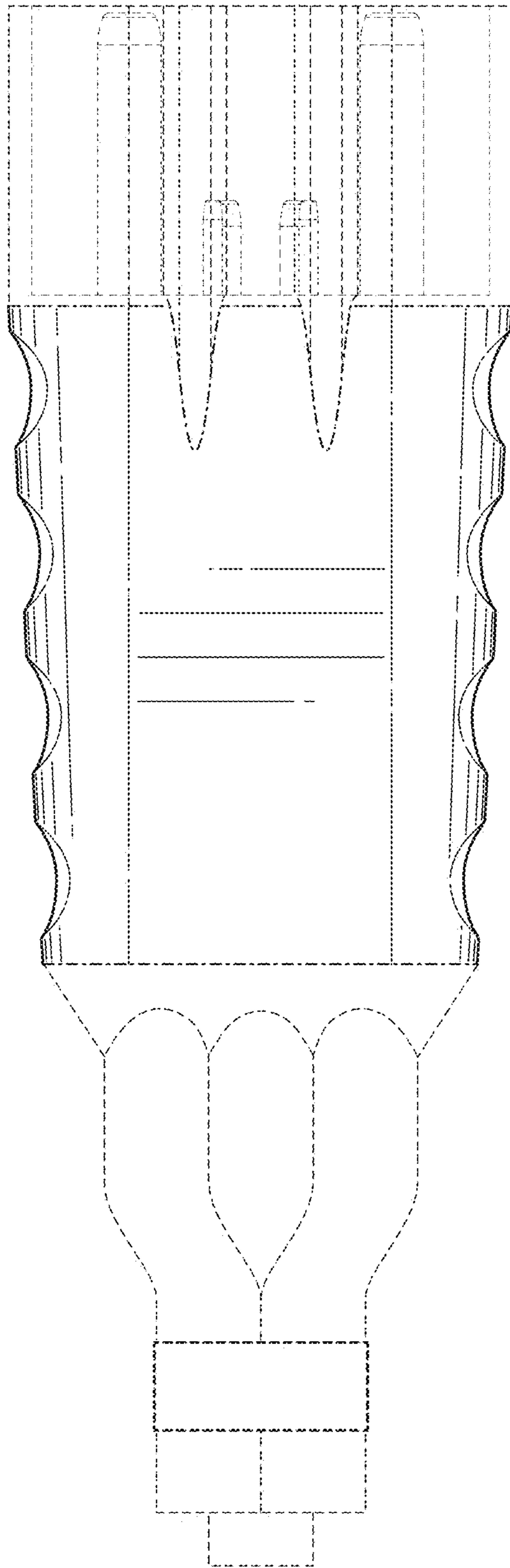


FIG. 13

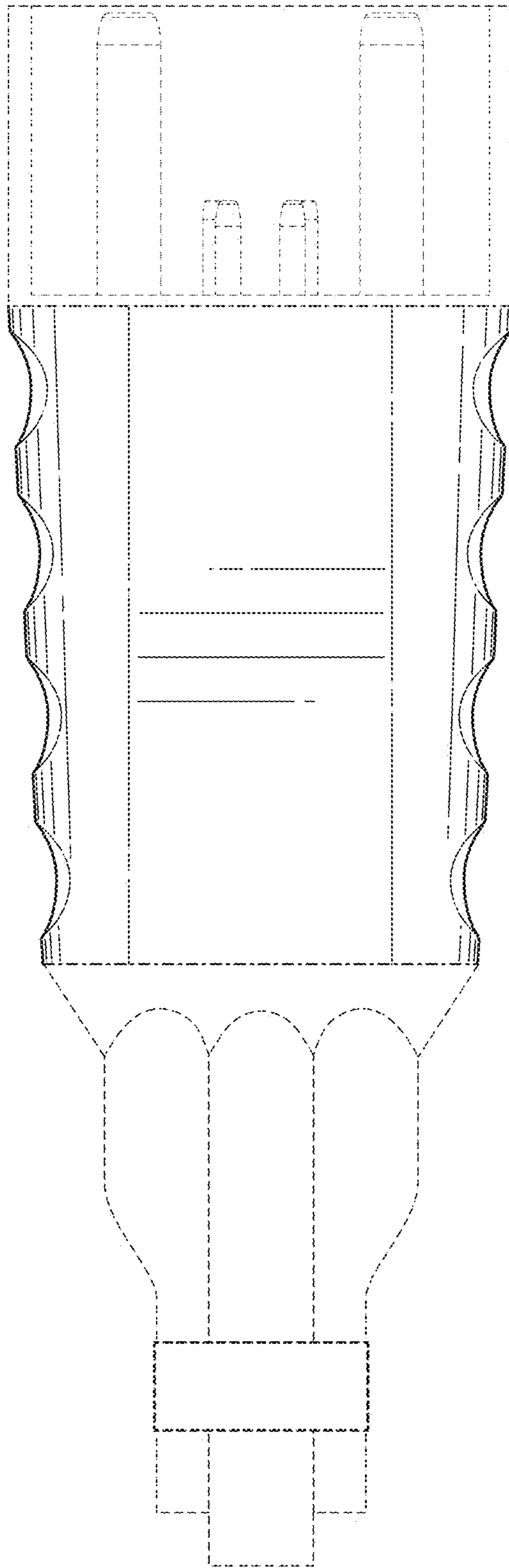


FIG. 14