



US00D975645S

(12) **United States Design Patent**
Klein

(10) **Patent No.:** **US D975,645 S**

(45) **Date of Patent:** **** Jan. 17, 2023**

(54) **SECURE AUDIO ACCESSORY CONNECTOR**

(71) Applicant: **Klein Electronics, Inc.**, Escondido, CA (US)

(72) Inventor: **Richard Klein**, Escondido, CA (US)

(73) Assignee: **Klein Electronics, Inc.**, Escondido, CA (US)

(**) Term: **15 Years**

(21) Appl. No.: **29/672,295**

(22) Filed: **Dec. 4, 2018**

(51) **LOC (14) Cl.** **13-03**

(52) **U.S. Cl.**
USPC **D13/133**

(58) **Field of Classification Search**
USPC D13/107, 123, 133, 146, 147, 153, 154,
D13/173, 183, 184, 199; D14/205, 206,
D14/217
CPC . H04R 1/08; H04R 1/10; H04R 25/00; H05K
5/02; H04M 1/05; H04M 1/04
See application file for complete search history.

(56) **References Cited**

U.S. PATENT DOCUMENTS

3,280,273 A	10/1966	Flygstad et al.	
3,984,645 A	10/1976	Kresch	
4,289,938 A	9/1981	Zichy et al.	
4,335,281 A	6/1982	Scott et al.	
4,420,657 A	12/1983	Larkin	
4,499,593 A	2/1985	Antle et al.	
4,646,872 A *	3/1987	Kamon	H04R 1/225 181/129
4,754,484 A	6/1988	Larkin et al.	
4,893,344 A	1/1990	Traegardh et al.	
4,926,961 A	5/1990	Gathey et al.	
D309,305 S	7/1990	Von et al.	
D311,521 S	10/1990	Jonsson et al.	
4,993,065 A	2/1991	Chiou	

D316,550 S	4/1991	Sogabe	
5,019,767 A	5/1991	Shirai et al.	
D327,265 S	6/1992	Jasey	
D330,192 S	10/1992	Holland et al.	
D333,460 S	2/1993	Huang	
D335,281 S *	5/1993	Thummel	D13/158
5,210,792 A	5/1993	Kajihara	
D339,355 S	9/1993	Burris et al.	
5,446,788 A	8/1995	Lucey et al.	
D366,486 S	1/1996	Runquist et al.	

(Continued)

OTHER PUBLICATIONS

2 Way Radio Parts Product Image PMMN4050A (1 pg) (Accessed 2018).

(Continued)

Primary Examiner — Shawn T Gingrich
(74) *Attorney, Agent, or Firm* — Edison Law Group

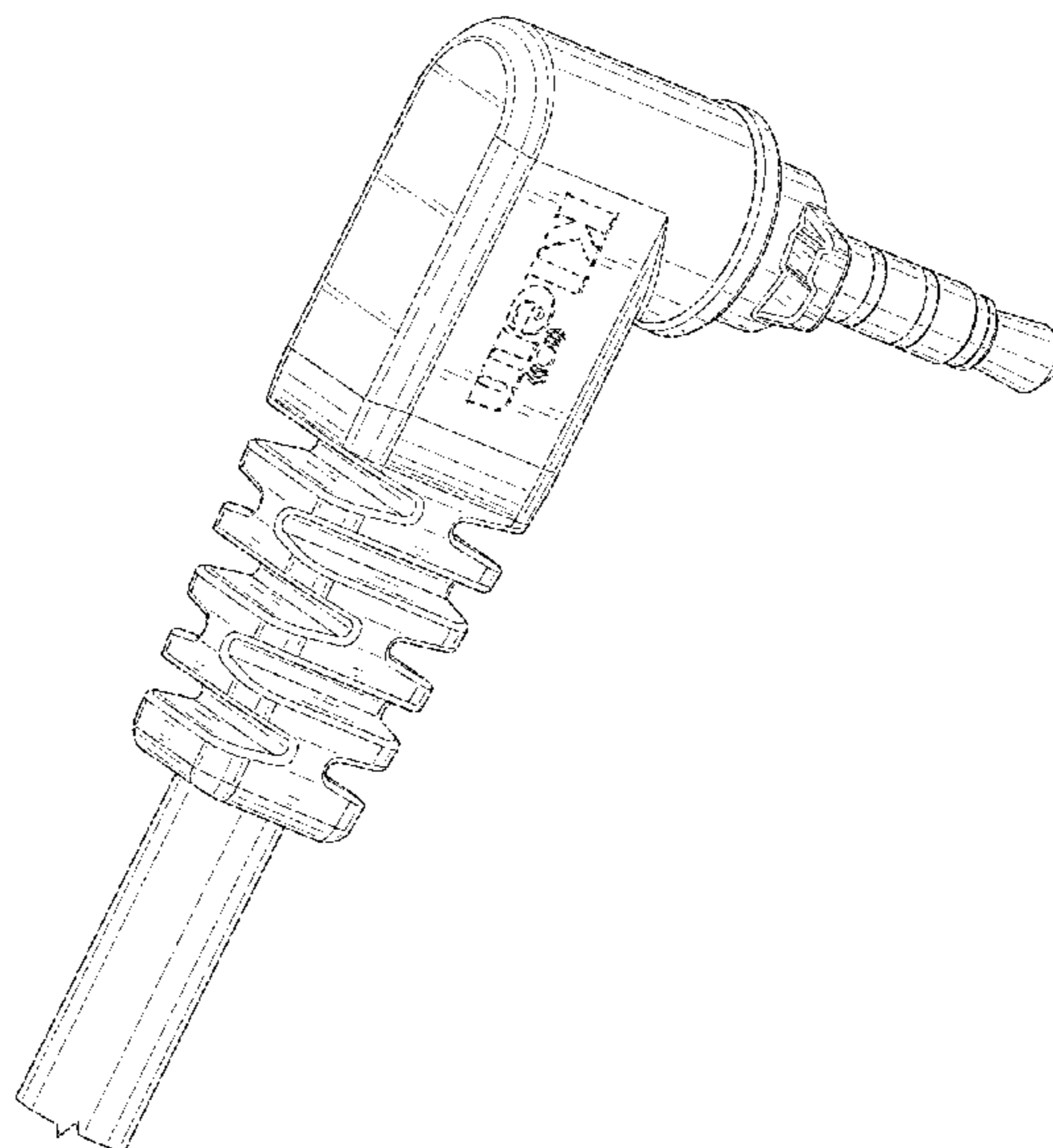
(57) **CLAIM**

The ornamental design for a secure audio accessory connector, as shown and described.

DESCRIPTION

FIG. 1 is a back, left perspective view of a secure audio accessory connector, showing my new design; FIG. 2 is a front elevational view thereof; FIG. 3 is a rear elevational view thereof; FIG. 4 is a left side elevational view thereof; FIG. 5 is a right side elevational view thereof; FIG. 6 is a top plan view thereof; FIG. 7 is a bottom plan view thereof; and, FIG. 8 is a back, right perspective view thereof, showing the secure audio accessory connector in a used condition. The drawings include a symbolic break in length of the article represented by jagged break lines. The appearance of any portion of the article beyond the break lines forms no part of the claimed design.

1 Claim, 8 Drawing Sheets



(56)

References Cited

U.S. PATENT DOCUMENTS

D371,133 S 6/1996 Andrea
 D374,011 S 9/1996 Baxter
 5,625,171 A 4/1997 Marshall
 D383,115 S 9/1997 Nagele et al.
 D384,958 S 10/1997 Shudo
 D388,053 S 12/1997 Robertson, Jr. et al.
 D401,902 S 12/1998 Falls et al.
 D409,621 S 5/1999 Andrea
 5,912,518 A * 6/1999 Misik H02K 5/225
 310/71
 5,920,178 A * 7/1999 Robertson, Jr. H01M 50/213
 320/114
 D413,574 S 9/1999 Goto
 D430,139 S 8/2000 Peters et al.
 6,097,827 A 8/2000 Yang
 D431,030 S 9/2000 Yoon
 6,122,369 A 9/2000 Hwang et al.
 6,178,251 B1 1/2001 Luchs et al.
 6,233,167 B1 5/2001 Chen et al.
 D445,416 S 7/2001 Glezerman
 6,272,362 B1 8/2001 Wang
 D450,298 S * 11/2001 Suzuki D13/133
 6,405,056 B1 6/2002 Altschul et al.
 6,438,248 B1 8/2002 Kamimura et al.
 D463,399 S 9/2002 Konomi et al.
 D464,945 S * 10/2002 Bosch D14/206
 6,472,631 B1 * 10/2002 Eickhoff B23K 10/00
 219/121.39
 D469,753 S 2/2003 Andre et al.
 6,519,475 B1 2/2003 Kim
 D471,890 S 3/2003 Clarkson
 D473,217 S 4/2003 Rivera
 6,625,293 B1 9/2003 Nageno et al.
 D500,485 S 1/2005 Deguchi
 D506,994 S 7/2005 Olson et al.
 D510,082 S 9/2005 Olson et al.
 D511,157 S 11/2005 Johnson
 6,961,440 B1 11/2005 Schlaegel et al.
 6,999,586 B2 * 2/2006 Yun H04M 1/2155
 379/444
 7,139,590 B2 11/2006 Liu et al.
 D533,865 S 12/2006 Wittenbrock et al.
 D542,225 S * 5/2007 Victor D13/154
 D542,280 S 5/2007 Taylor
 D558,735 S 1/2008 Carr et al.
 D563,395 S 3/2008 Pitcher et al.
 D565,557 S 4/2008 Kaneda
 D569,841 S 5/2008 Chung et al.
 D575,228 S 8/2008 So
 D575,768 S 8/2008 Wang
 D578,507 S 10/2008 Ando
 D578,508 S 10/2008 Wang
 D587,678 S 3/2009 Yuyama
 D588,099 S 3/2009 Yuyama
 D588,110 S 3/2009 Darbut
 D588,584 S 3/2009 Park et al.
 D593,548 S 6/2009 Von Meiss et al.
 D606,980 S 12/2009 Bradford
 D607,875 S 1/2010 Pedersen, II
 7,664,540 B2 2/2010 Tsai et al.
 D616,419 S 5/2010 Suwalski et al.
 D619,124 S 7/2010 Clay
 D620,482 S 7/2010 Chen
 7,778,435 B2 8/2010 Smith et al.
 7,889,881 B2 * 2/2011 Ostrowski H04R 1/1016
 381/329
 D643,414 S * 8/2011 Lee D14/223
 D654,867 S 2/2012 Hueppe
 D676,812 S 2/2013 Smith et al.
 D682,808 S 5/2013 Fletcher et al.
 8,457,343 B2 6/2013 Zhu
 D691,563 S 10/2013 Yong et al.

D692,409 S * 10/2013 Takeno D14/205
 D698,316 S 1/2014 Yong et al.
 D698,750 S 2/2014 Yoon
 D712,873 S 9/2014 Krauss et al.
 D712,874 S 9/2014 Gauger, Jr. et al.
 D726,147 S 4/2015 Tran et al.
 D734,298 S 7/2015 Tatkon-Coker et al.
 D736,162 S * 8/2015 Barabas D13/147
 D739,377 S 9/2015 Yeom et al.
 D746,260 S 12/2015 Goransson
 D753,626 S 4/2016 Tran
 D776,637 S 1/2017 Chen
 D777,138 S 1/2017 Fletcher et al.
 D778,873 S 2/2017 Chen et al.
 D793,360 S 8/2017 Birger
 D810,724 S 2/2018 Czaniecki et al.
 D817,302 S 5/2018 Birath et al.
 D821,999 S 7/2018 Guo et al.
 D823,280 S 7/2018 Guilfoyle et al.
 D824,875 S 8/2018 Czaniecki et al.
 D841,619 S 2/2019 Klein
 D842,839 S 3/2019 Klein
 D868,696 S * 12/2019 Tanizaki D13/133
 D916,660 S * 4/2021 Hammerman D13/120
 D928,740 S * 8/2021 Klein D14/218
 2002/0012441 A1 1/2002 Matsunaga et al.
 2002/0096391 A1 7/2002 Smith et al.
 2002/0123275 A1 * 9/2002 Zhao H01R 13/187
 439/851
 2002/0181729 A1 12/2002 Smith
 2004/0038593 A1 * 2/2004 Siddiqui H01R 24/58
 439/668
 2004/0097273 A1 5/2004 Chiang et al.
 2006/0188125 A1 * 8/2006 Cao H01R 24/58
 381/394
 2009/0128427 A1 5/2009 Nawa et al.
 2012/0018595 A1 1/2012 Berry et al.
 2012/0120571 A1 * 5/2012 Bisesti H01R 13/5841
 361/679.01
 2012/0155803 A1 6/2012 Benjamin et al.
 2013/0128476 A1 5/2013 Liou et al.
 2014/0138150 A1 5/2014 Huang
 2015/0194723 A1 * 7/2015 Yoshida H01Q 1/44
 343/720
 2016/0072236 A1 * 3/2016 Rois H04R 1/10
 381/74
 2016/0142808 A1 5/2016 Monahan et al.
 2017/0118003 A1 4/2017 Qu et al.
 2017/0295419 A1 10/2017 Poulsen et al.

OTHER PUBLICATIONS

Co-pending U.S. Appl. No. 29/598,417, filed Mar. 24, 2017.
 Co-pending U.S. Appl. No. 29/598,418, filed Mar. 24, 2017.
 Co-pending U.S. Appl. No. 29/598,419, filed Mar. 24, 2017.
 Co-pending U.S. Appl. No. 29/598,420, filed Mar. 24, 2017.
 Co-pending U.S. Appl. No. 29/605,412, filed May 25, 2017.
 Co-pending U.S. Appl. No. 29/647,918, filed May 31, 2018.
 Audio Adapter for Motorola Radio XPR 6350,XPR 6380,XPR 6550,XPR 6580,XPR 7350,XPR 7550,XPR 7380,XPR 7580,APX 3000,APX 1000,APX 900, with 2 Audio Jack, Gold-Plated Pogo Pin, Rugged Construction (5 pgs) (Accessed 2018).
 U.S. Appl. No. 29/598,416 Office Action dated Mar. 26, 2018.
 U.S. Appl. No. 29/598,417 Office Action dated Mar. 27, 2018.
 U.S. Appl. No. 29/598,418 Office Action dated Mar. 29, 2018.
 U.S. Appl. No. 29/598,419 Office Action dated Mar. 29, 2018.
 U.S. Appl. No. 29/598,420 Office Action dated Mar. 27, 2018.
 U.S. Appl. No. 29/598,421 Office Action dated Mar. 29, 2018.
 Waveband WX-8004-E5 Series Rugged Heavy Duty Public Safety Microphone for Harris Ma/Com XG-100 P WB#WX-8004-E5 (4 pgs.) (Accessed 2018).

* cited by examiner

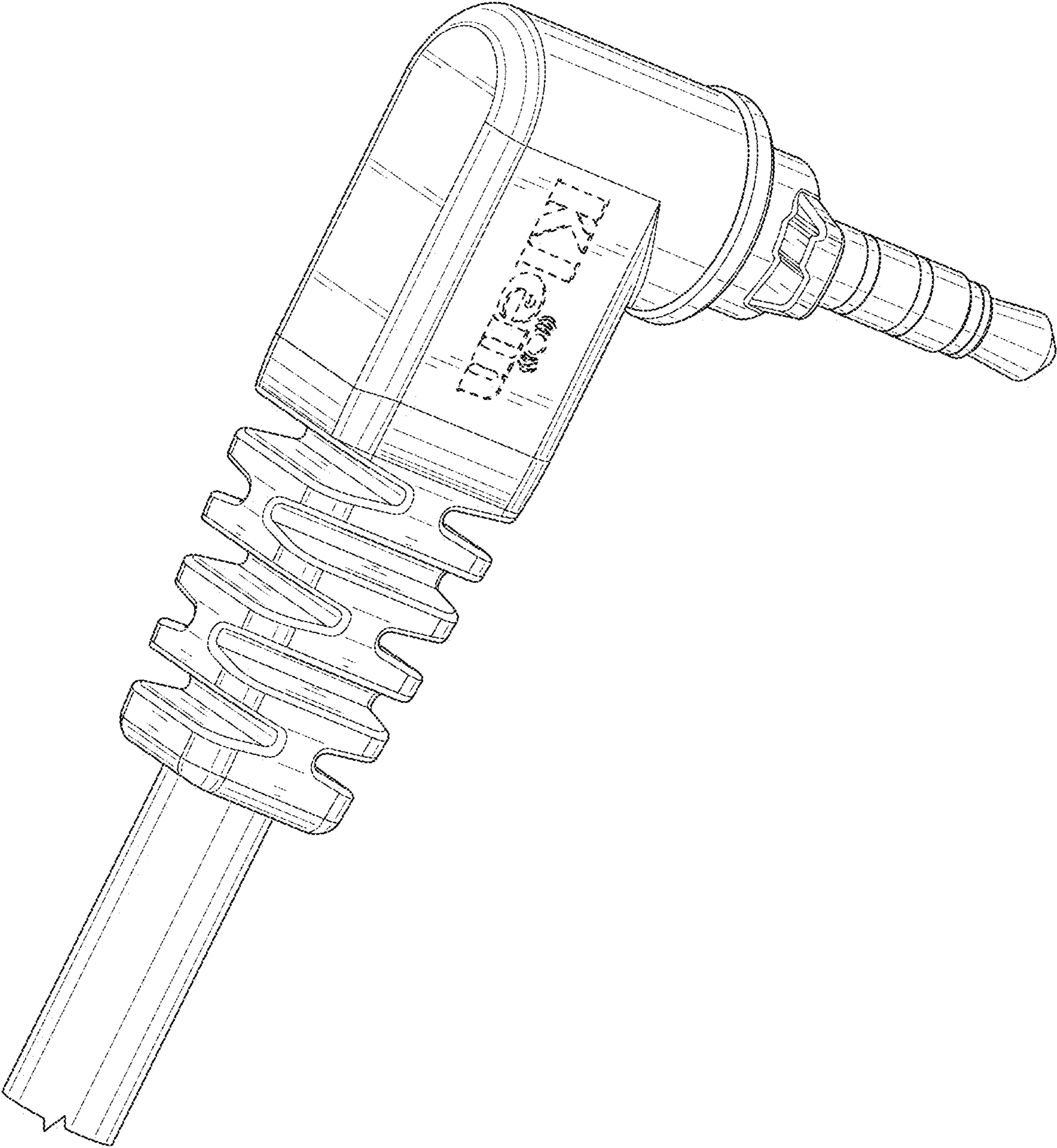


FIG. 1

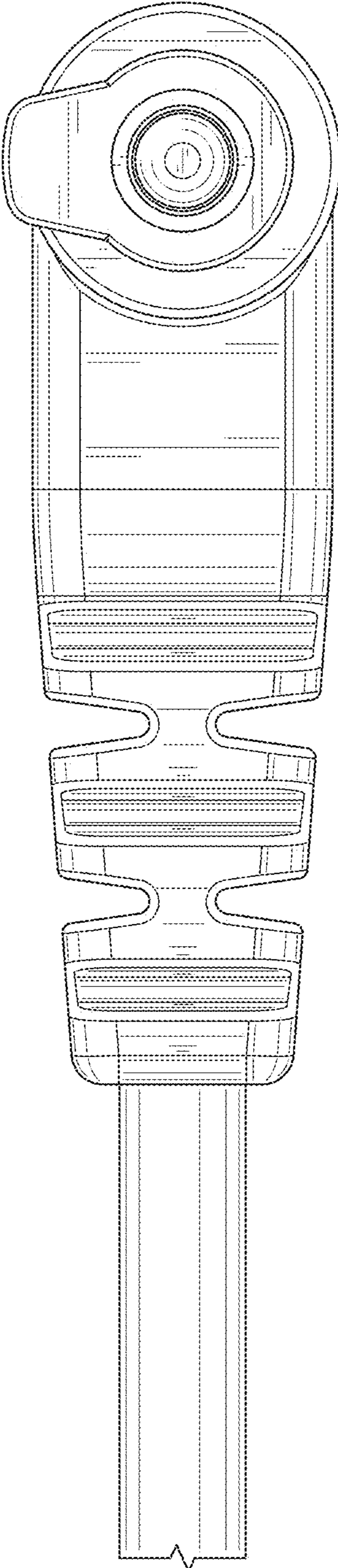


FIG. 2

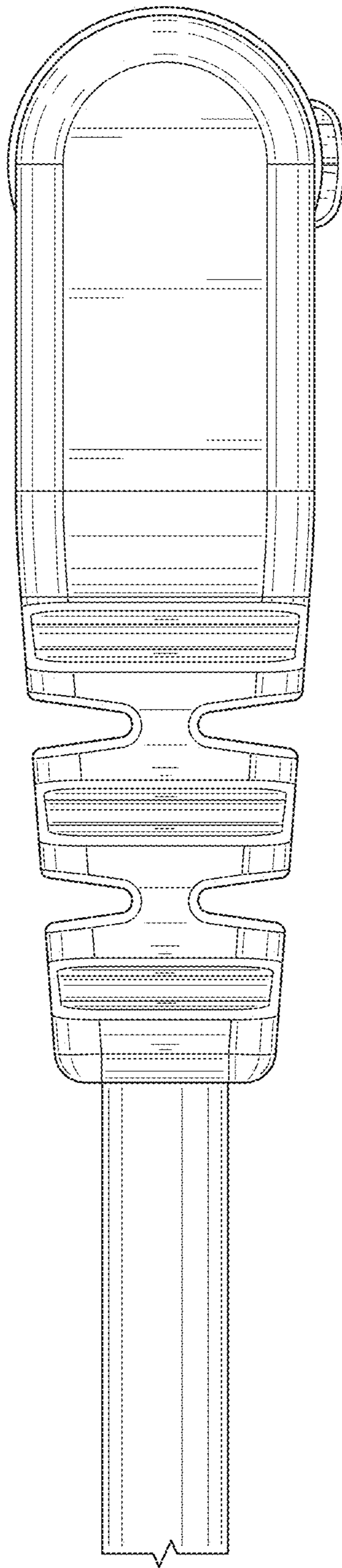


FIG. 3

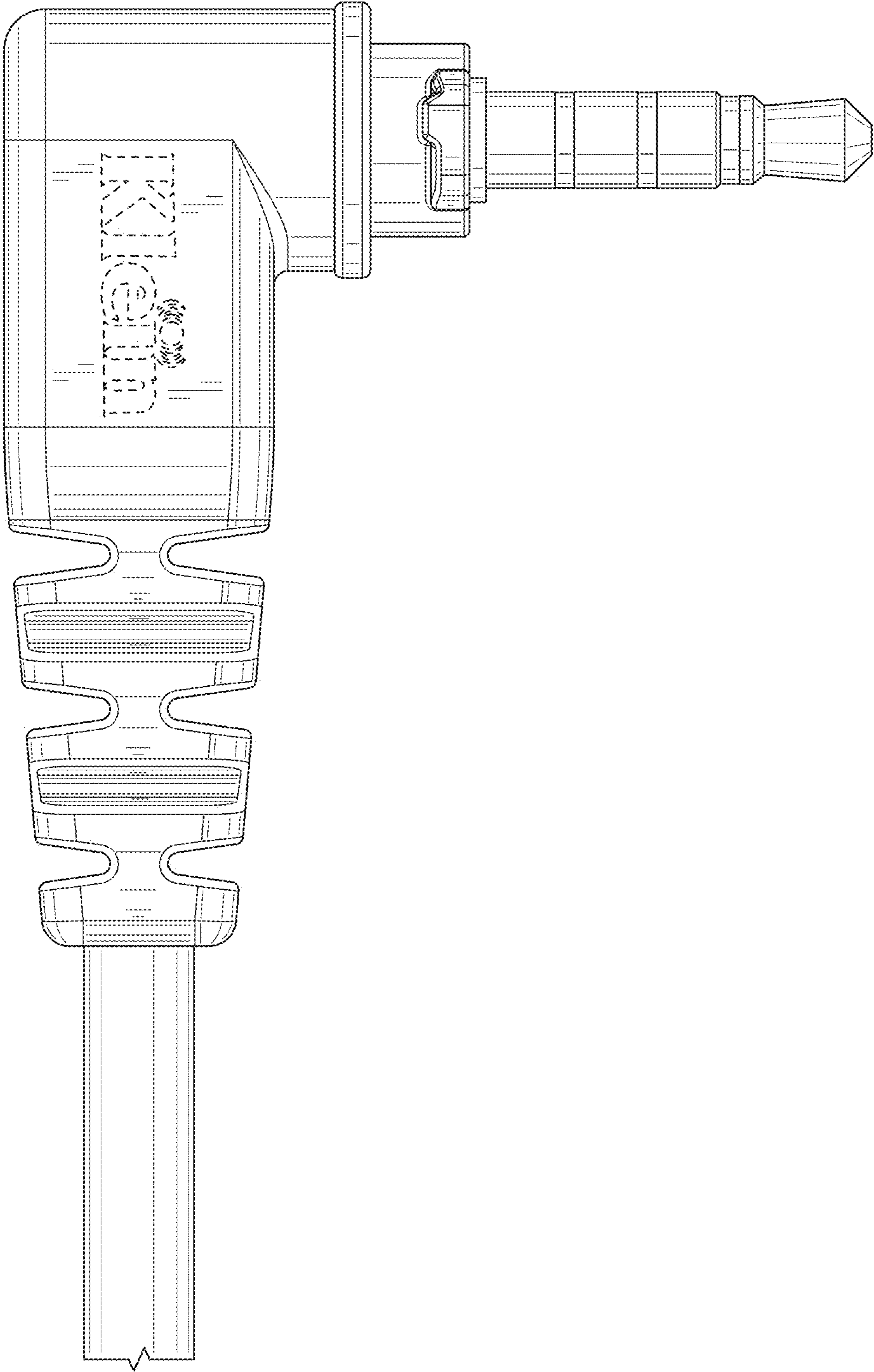


FIG. 4

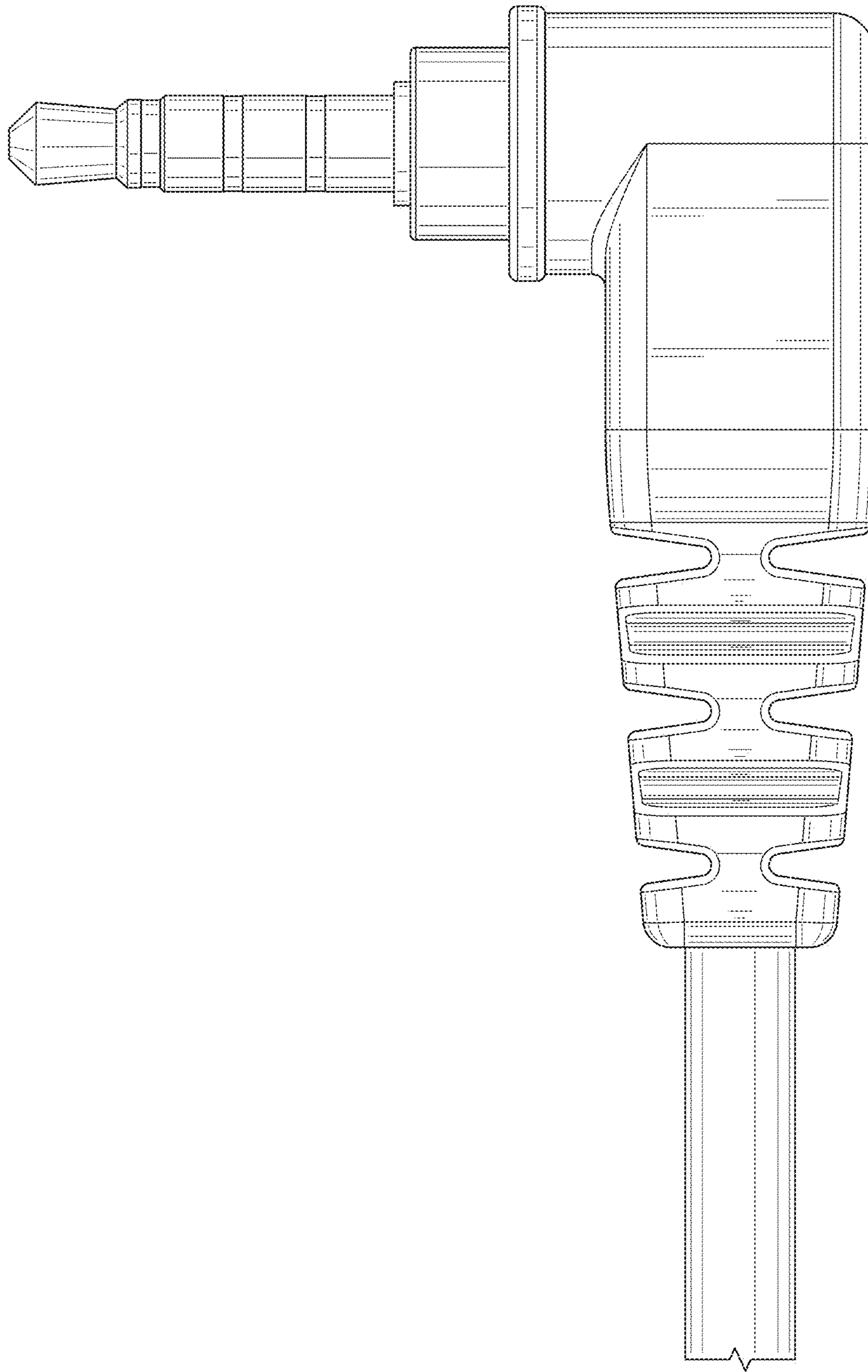


FIG. 5

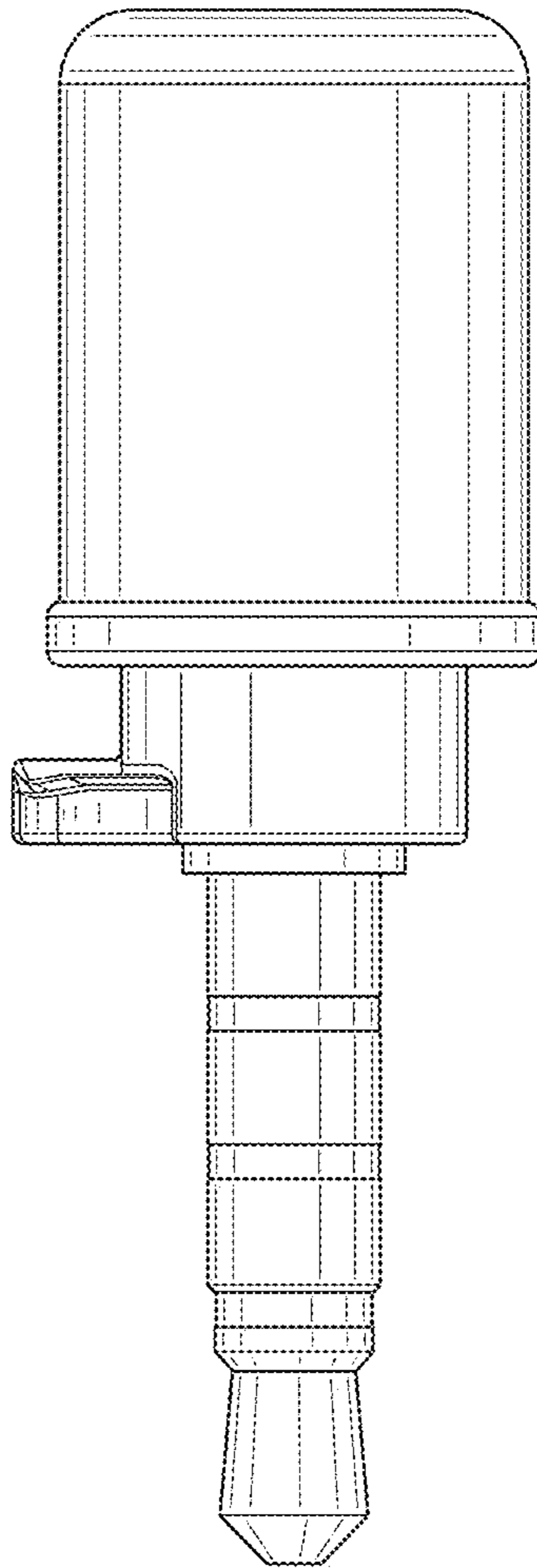


FIG. 6

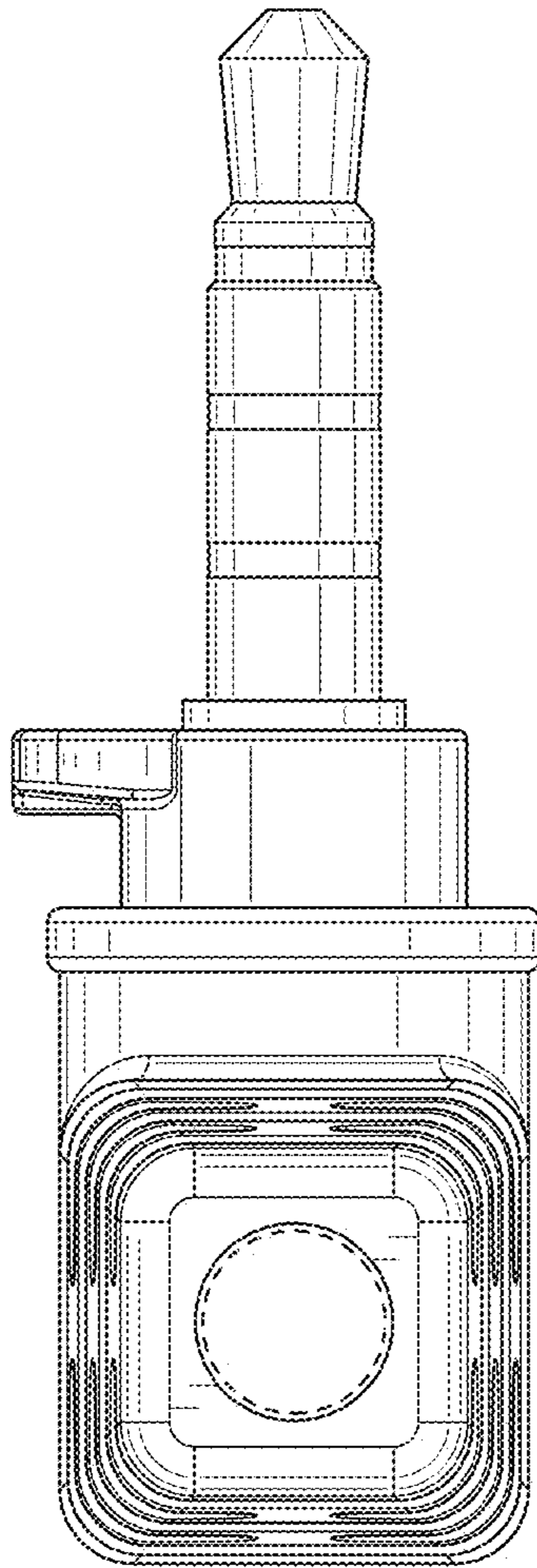


FIG. 7

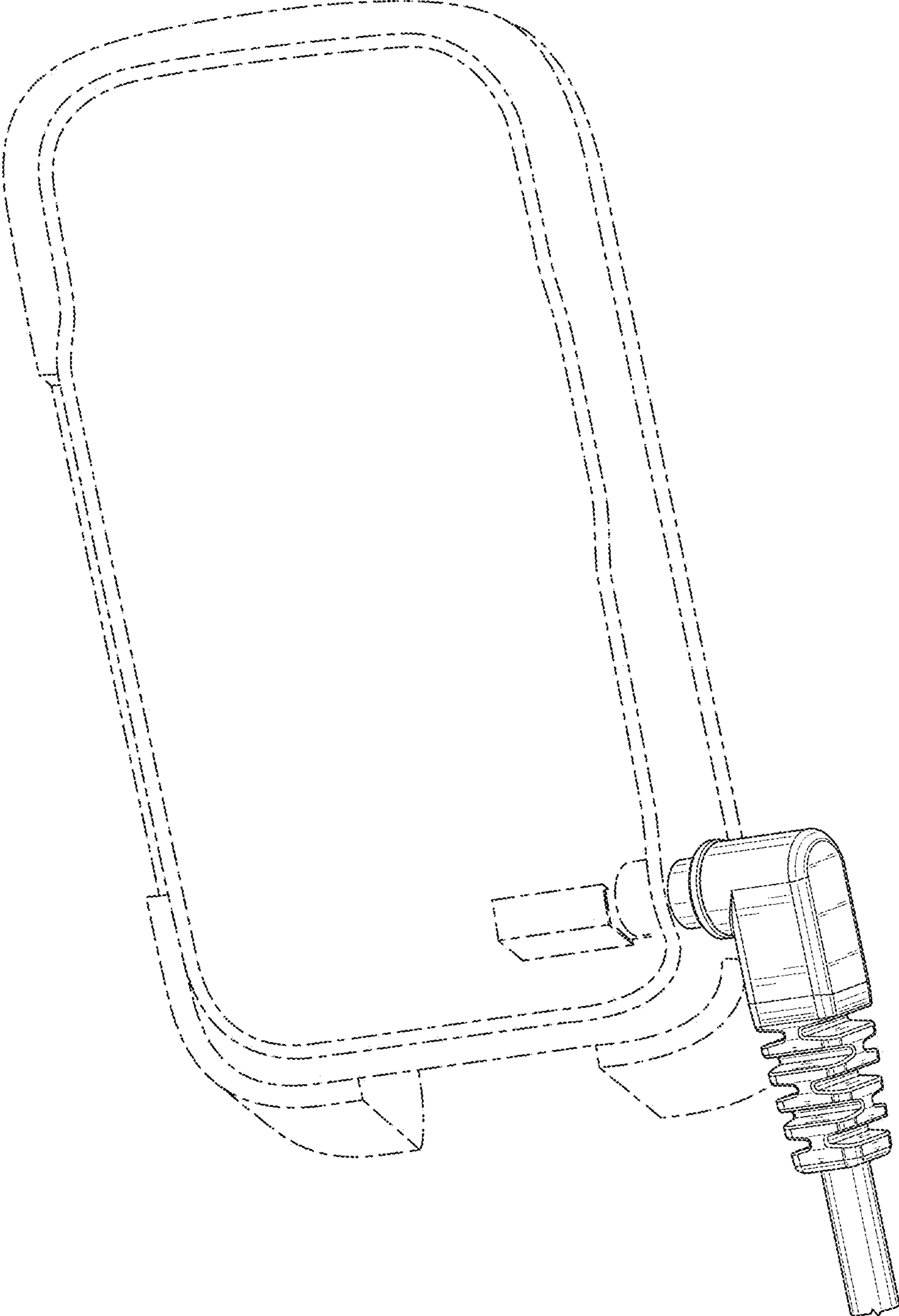


FIG. 8