



US00D975643S

(12) **United States Design Patent** (10) **Patent No.:** **US D975,643 S**
Amer (45) **Date of Patent:** **** Jan. 17, 2023**

(54) **ELECTRIC POWER CONVERTER**

(71) Applicant: **Eltek AS**, Drammen (NO)

(72) Inventor: **Christine Amer**, Hyggen (NO)

(**) Term: **15 Years**

(21) Appl. No.: **35/512,386**

(22) Filed: **Feb. 19, 2021**

(80) **Hague Agreement Data**

Int. Filing Date: **Feb. 19, 2021**

Int. Reg. No.: **DM/213082**

Int. Reg. Date: **Feb. 19, 2021**

Int. Reg. Pub. Date: **Aug. 20, 2021**

(51) **LOC (14) Cl.** **13-02**

(52) **U.S. Cl.**
USPC **D13/110**

(58) **Field of Classification Search**

USPC D13/101, 102, 103, 107, 108, 110, 118,
D13/119, 123, 184, 199; D14/251, 253,
D14/432, 434

CPC .. H02J 7/00; H02J 7/027; H02J 7/0042; H02J
7/0045; H02J 7/0047; H02J 7/0063; H02J
7/32; H02J 7/342; H02J 7/1423; H02M
7/00; H02M 7/003; H01M 2/202; H01M
2/204; H01M 2/1022; H01M 2/342;
H05K 5/0247; H05K 7/20; Y02T
10/7005; Y02T 10/705; Y02T 10/7088;
F21L 4/00; H01L 23/40

See application file for complete search history.

(56) **References Cited**

U.S. PATENT DOCUMENTS

D641,696	S	*	7/2011	Charlson	D13/110
D675,982	S	*	2/2013	Kuhn	D13/110
8,687,357	B2	*	4/2014	Nagano	H05K 7/20918 165/185
D727,262	S	*	4/2015	Omote	D13/110
D755,740	S	*	5/2016	Chen	D13/179
D813,160	S	*	3/2018	Baacke	D13/110
D883,207	S	*	5/2020	Sakamoto	D13/110
2022/0266699	A1	*	8/2022	Boys	H02J 7/027
2022/0271647	A1	*	8/2022	Suzuki	H02M 7/06

* cited by examiner

Primary Examiner — Derrick E Holland

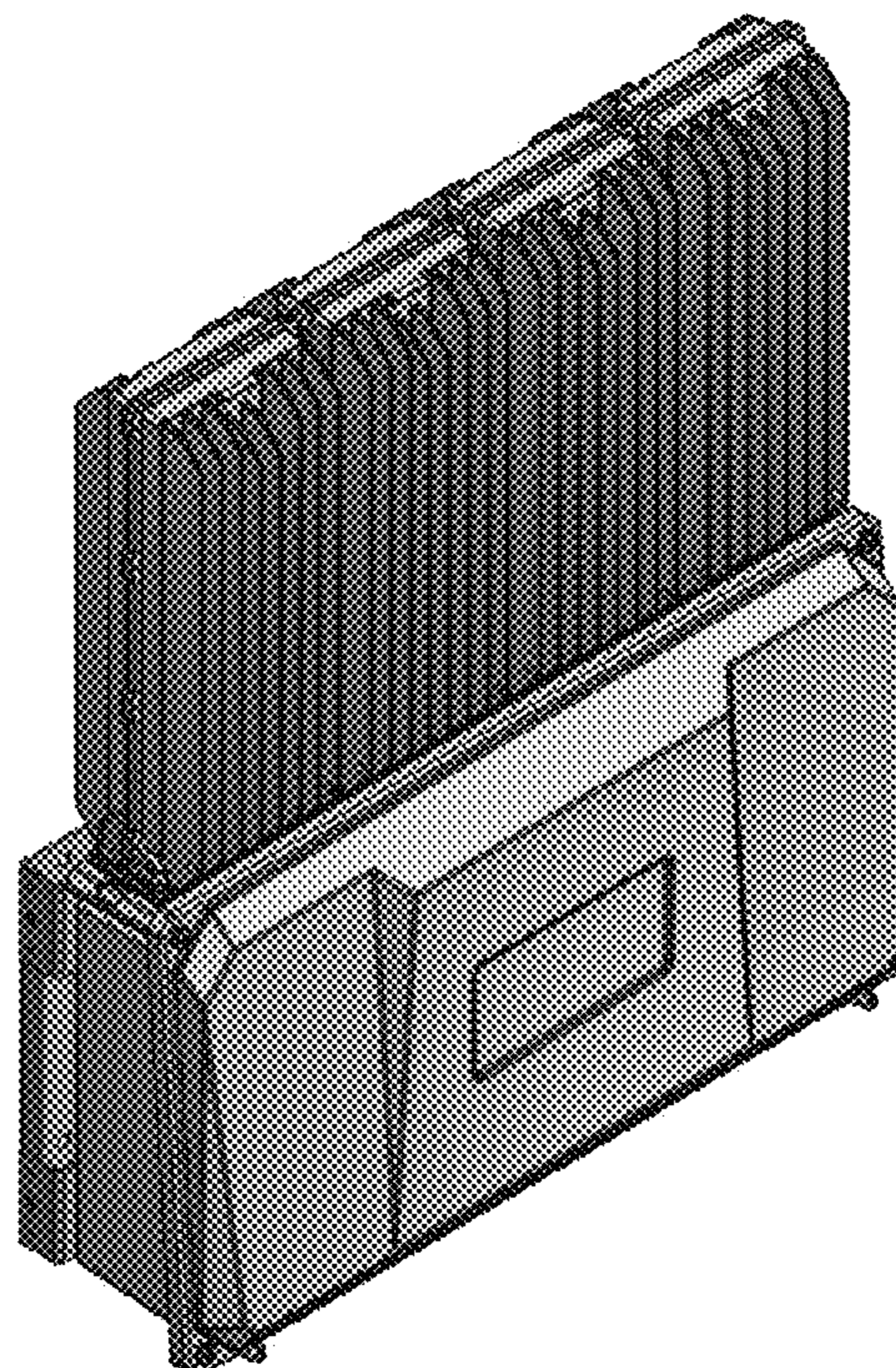
(57) **CLAIM**

The ornamental design for an electrical power converter, as shown and described.

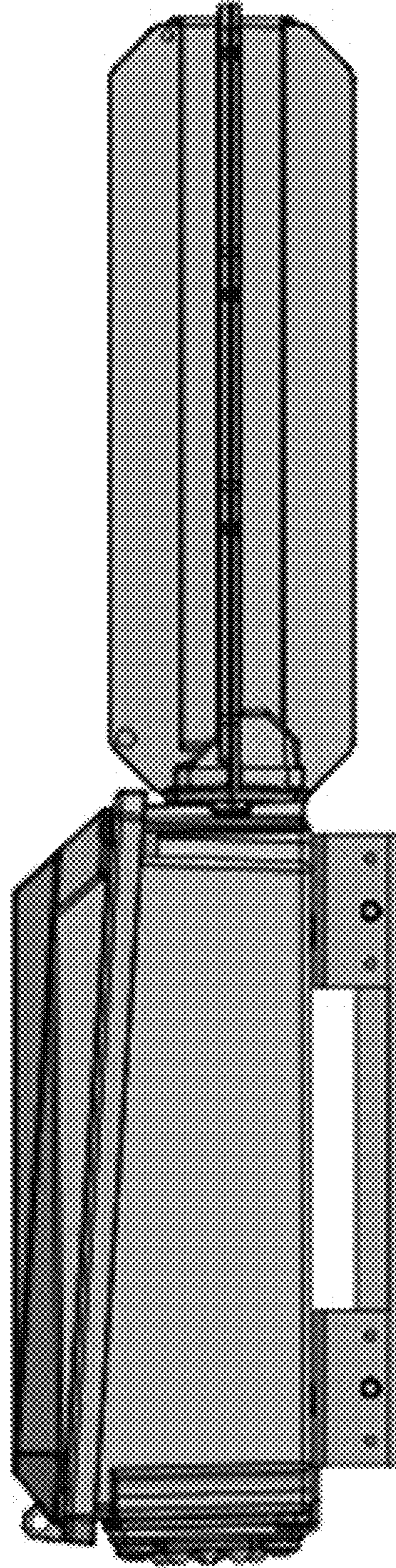
DESCRIPTION

1. Electric power converter
Figure 1.1 is a right side elevation view of an electrical power converter showing the new design;
Figure 1.2 is a front elevation view thereof;
Figure 1.3 is a left side elevation view thereof;
Figure 1.4 is a top, front, and left-side perspective view thereof;
Figure 1.5 is a top plan view thereof;
Figure 1.6 is a rear elevation view thereof;
Figure 1.7 is a bottom plan view thereof;
Figure 1.8 is a bottom, front and right-side perspective view thereof.

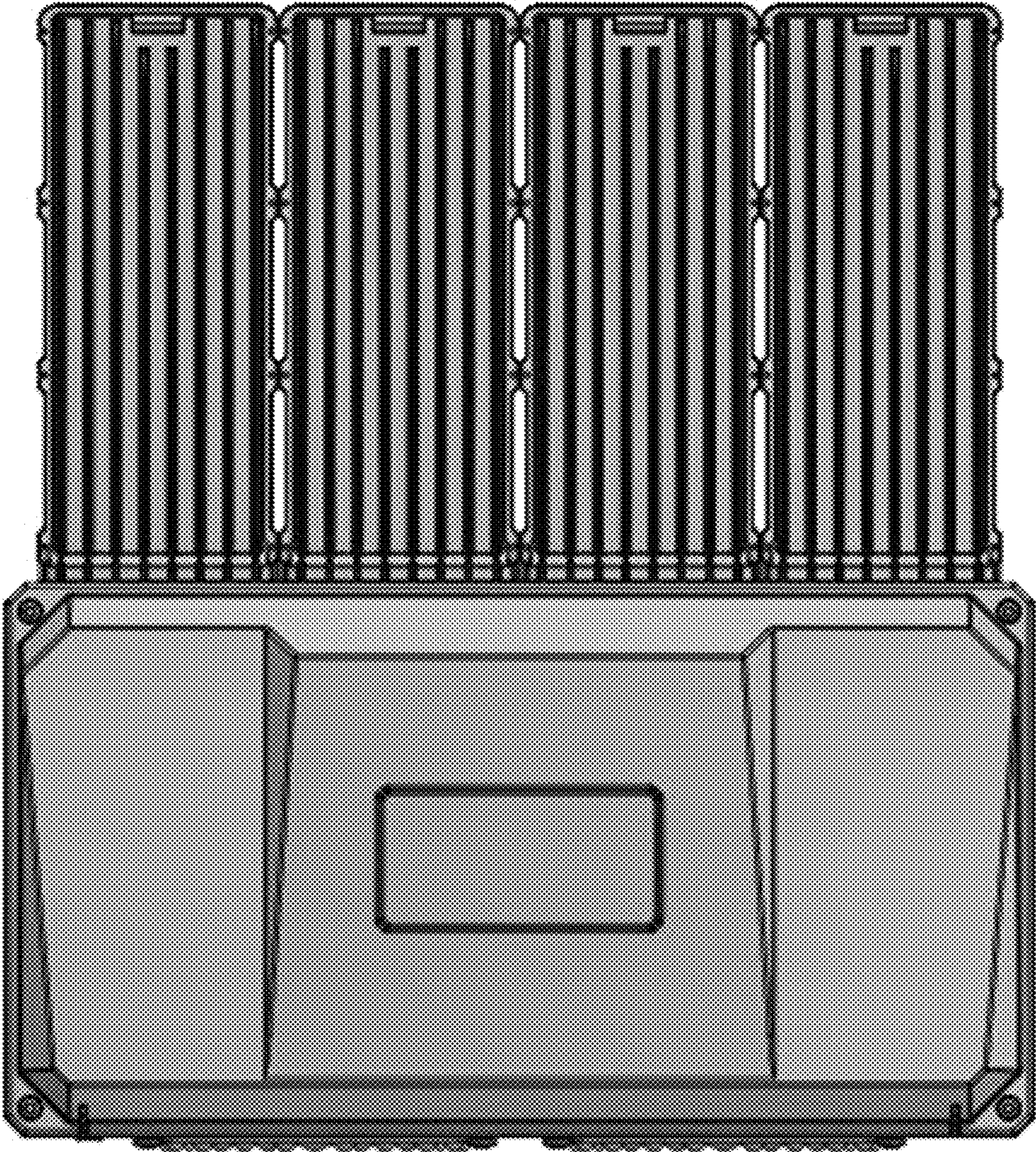
1 Claim, 8 Drawing Sheets



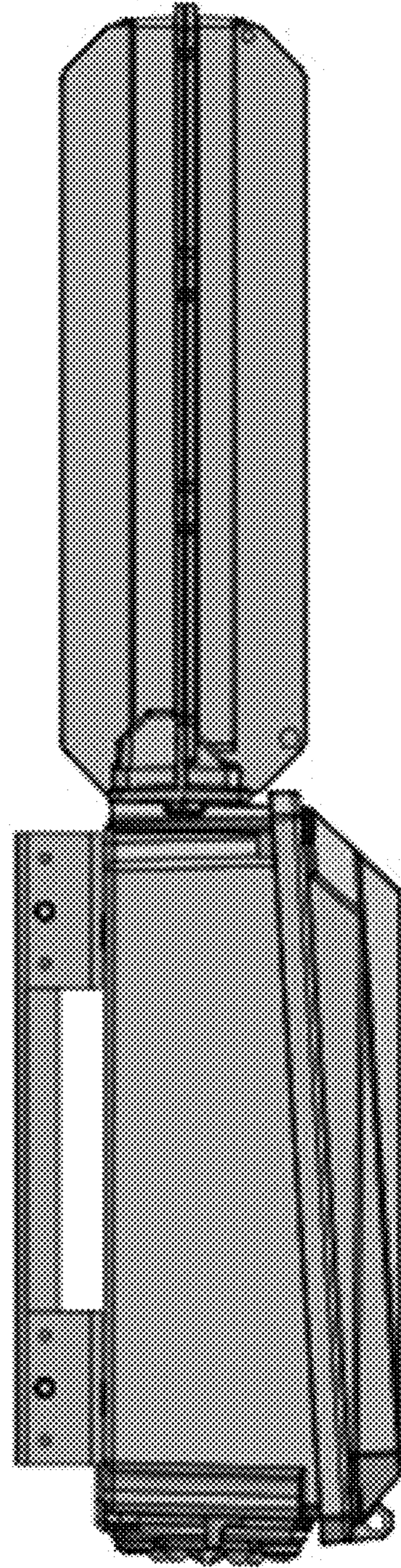
1.1



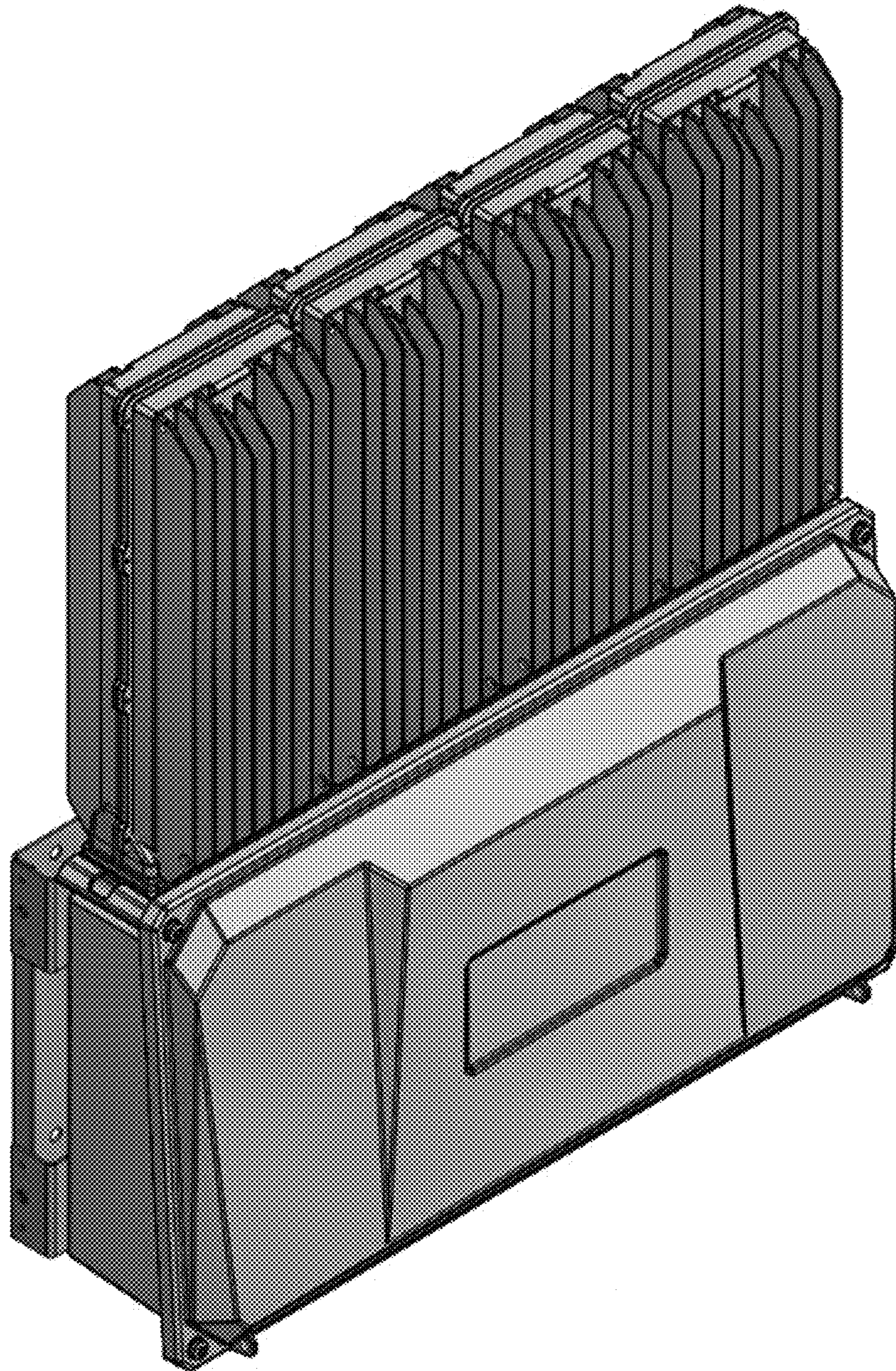
1.2



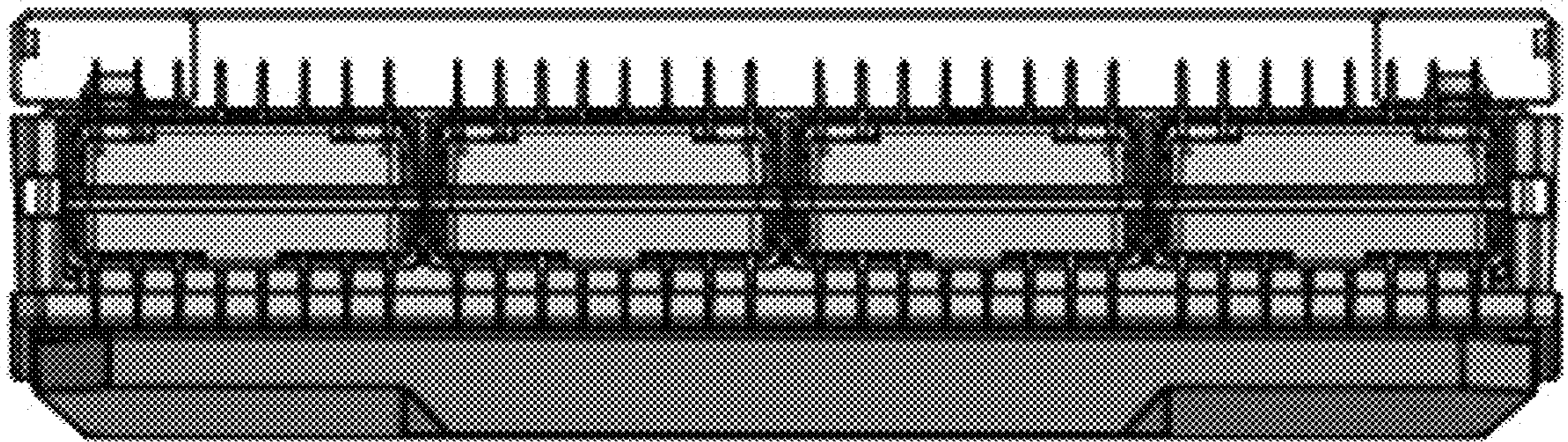
1.3



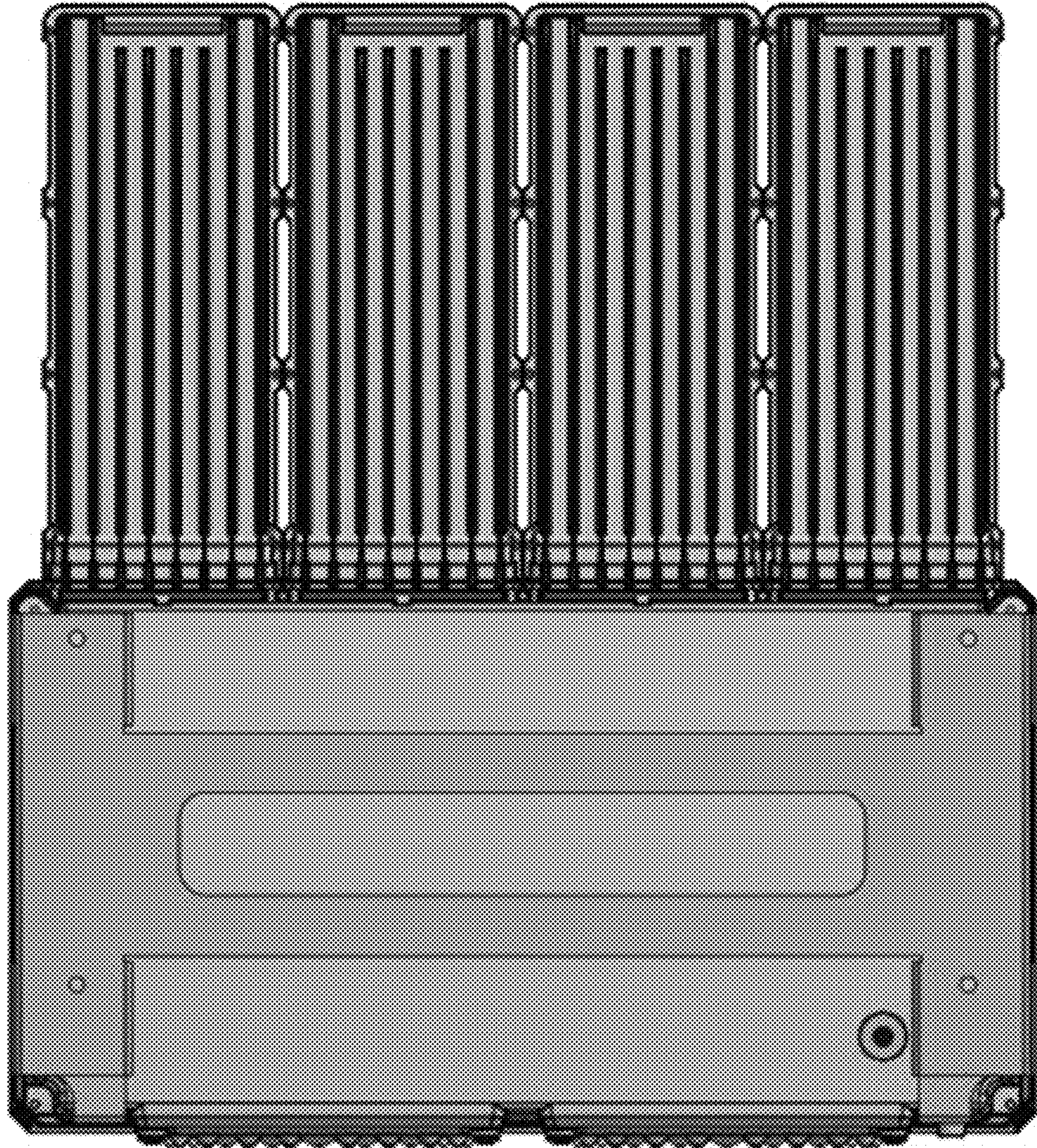
1.4



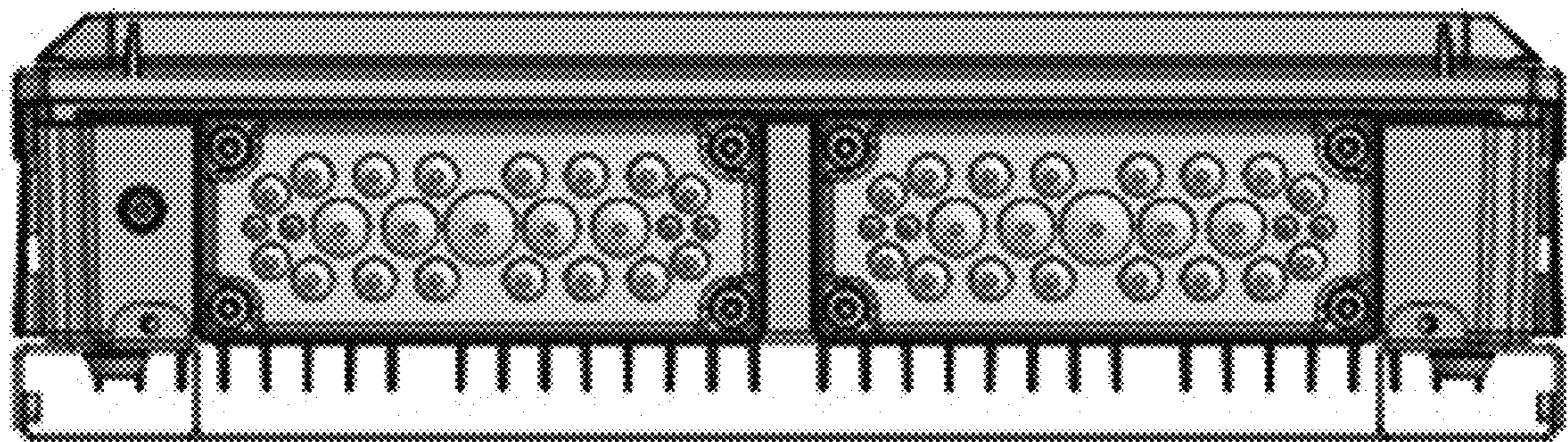
1.5



1.6



1.7



1.8

