



US00D975641S

(12) **United States Design Patent** (10) **Patent No.:** **US D975,641 S**
Wang (45) **Date of Patent:** **** Jan. 17, 2023**

(54) **ADAPTER**

(71) Applicant: **Qiang Wang**, Guangdong (CN)

(72) Inventor: **Qiang Wang**, Guangdong (CN)

(73) Assignee: **Shenzhen Xin Taide Technology Co., Ltd**, Shenzhen (CN)

(**) Term: **15 Years**

(21) Appl. No.: **29/751,884**

(22) Filed: **Sep. 24, 2020**

(51) **LOC (14) Cl.** **13-02**

(52) **U.S. Cl.**
USPC **D13/110**

(58) **Field of Classification Search**

USPC D13/107, 108, 110, 137.1, 137.2, 137.3, D13/137.4, 138.1, 138.2, 139.1, 139.2, D13/139.3, 139.4, 139.5, 139.6, 139.7, D13/139.8, 146, 151, 152, 153, 154, 158, D13/159, 160, 161, 162, 162.1, 163, 164, D13/165, 166, 167, 168, 169, 171, 172, D13/173, 174, 175, 176, 177, 178, 179, D13/184, 199
CPC H01R 13/00; H01R 13/03; H01R 13/04; H01R 13/10; H01R 13/35; H01R 13/44; H01R 13/46; H01R 13/453; H01R 13/4534; H01R 13/502; H01R 13/506; H01R 13/514; H01R 13/518; H01R 13/6272; H01R 13/631; H01R 13/639; H01R 13/652; H01R 13/665; H01R 13/6633; H01R 13/6666; H01R 13/6675; H01R 13/7135; H01R 31/02; H01R 31/06; H01R 31/065; H01R 25/00; H01R 25/006; H01R 9/00; H01R 11/00; H01R 2201/06; H01R 35/04; H01H 2207/00; H01H 2207/022; H01H 2203/00; H05K 5/00; H05K 5/03; H02G 3/088

See application file for complete search history.

(56) **References Cited**

U.S. PATENT DOCUMENTS

D478,310	S	*	8/2003	Andre	D13/110
D478,546	S	*	8/2003	Andre	D13/110
D657,743	S	*	4/2012	Andre	D13/110
D711,824	S	*	8/2014	Matsuoka	D13/110
D772,160	S	*	11/2016	Roberts	D13/110
D866,471	S	*	11/2019	Xu	D13/137.2
2016/0093969	A1	*	3/2016	Chen	H01R 13/44 439/131

OTHER PUBLICATIONS

“INVZI 100W USB C Multiport Charger, GaN III 4-Port USB Charging Station Fast Charger Power Adapter for MacBook Pro Air, iPad Pro, Dell XPS, Galaxy S21/S20, iPhone 13 12/12 Pro, Note 20/10+, Pixel”, first available Aug. 3, 2021. Amazon.com [https://www.amazon.com/dp/B09BQ63NG1] (Year: 2021).*

* cited by examiner

Primary Examiner — Rosemary K Tarcza
Assistant Examiner — Seth David Kumpf

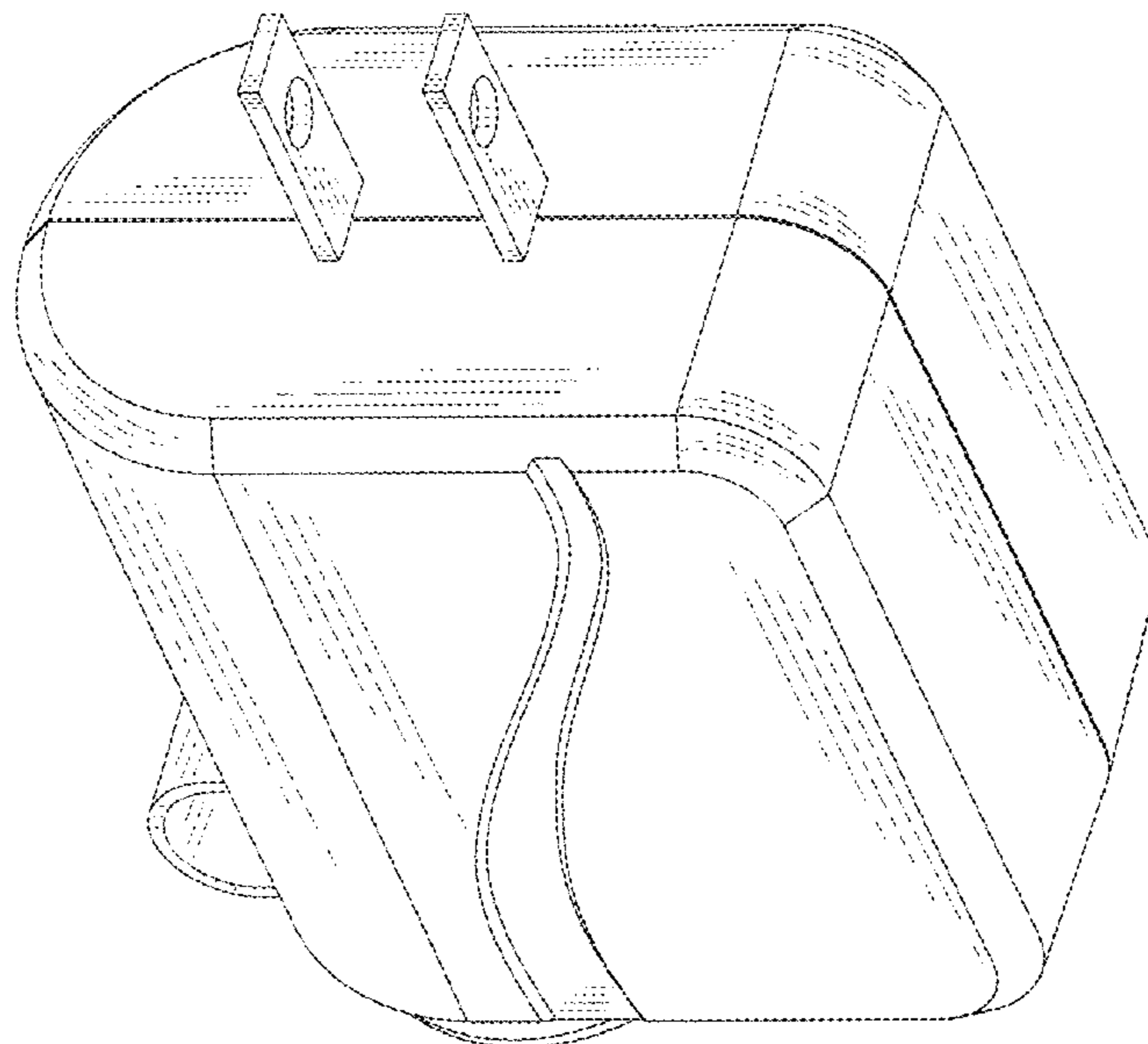
(57) **CLAIM**

The ornamental design for an adapter, as shown and described.

DESCRIPTION

FIG. 1 is a perspective view of an adapter showing my new design;
FIG. 2 is a front elevation view thereof;
FIG. 3 is a rear elevation view thereof;
FIG. 4 is a left side elevation view thereof;
FIG. 5 is a right side elevation view thereof;
FIG. 6 is a top plan view thereof; and,
FIG. 7 is a bottom plan view thereof.
The broken lines depict portions of the adapter that form no part of the claimed design.

1 Claim, 7 Drawing Sheets



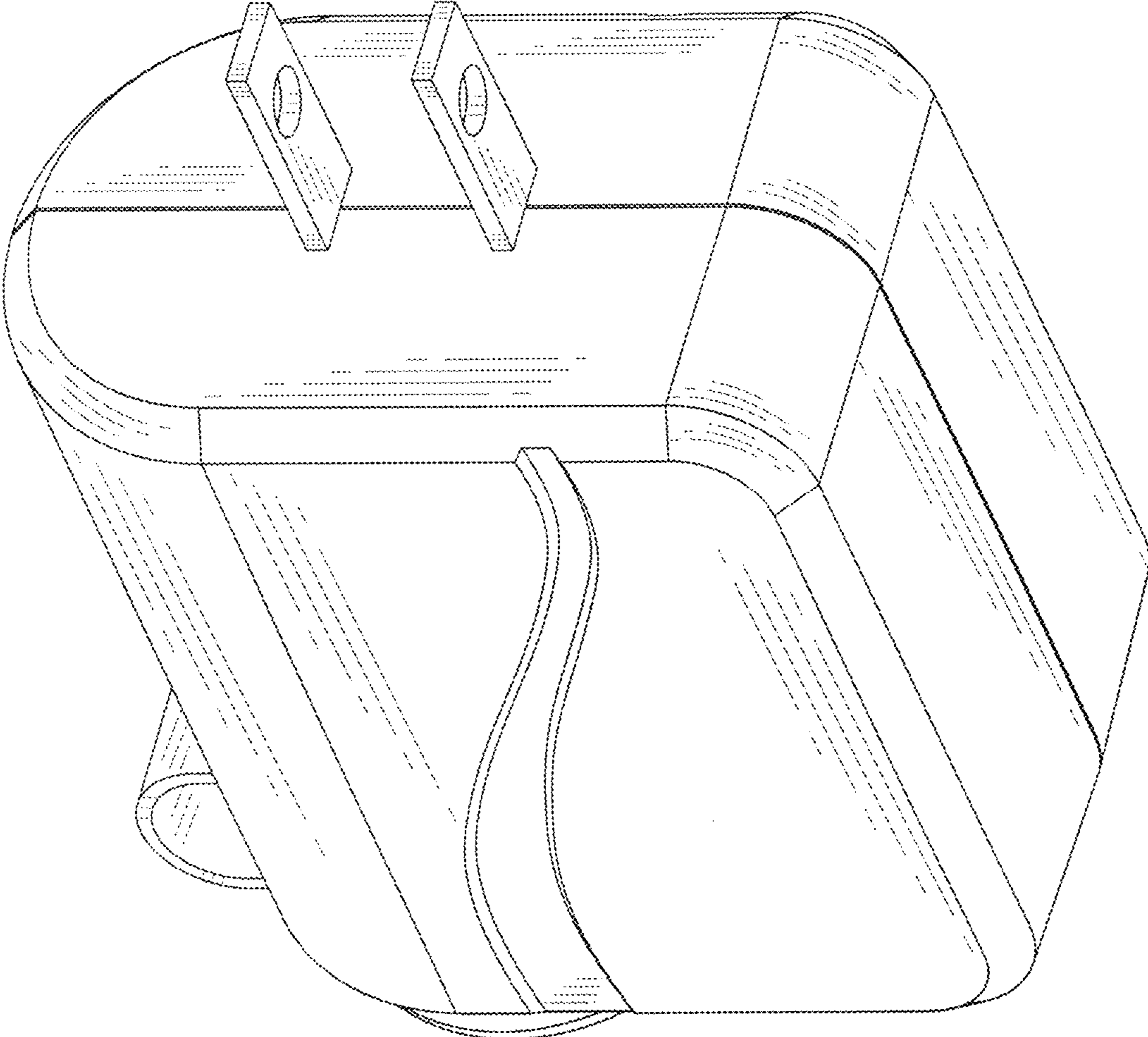


FIG. 1

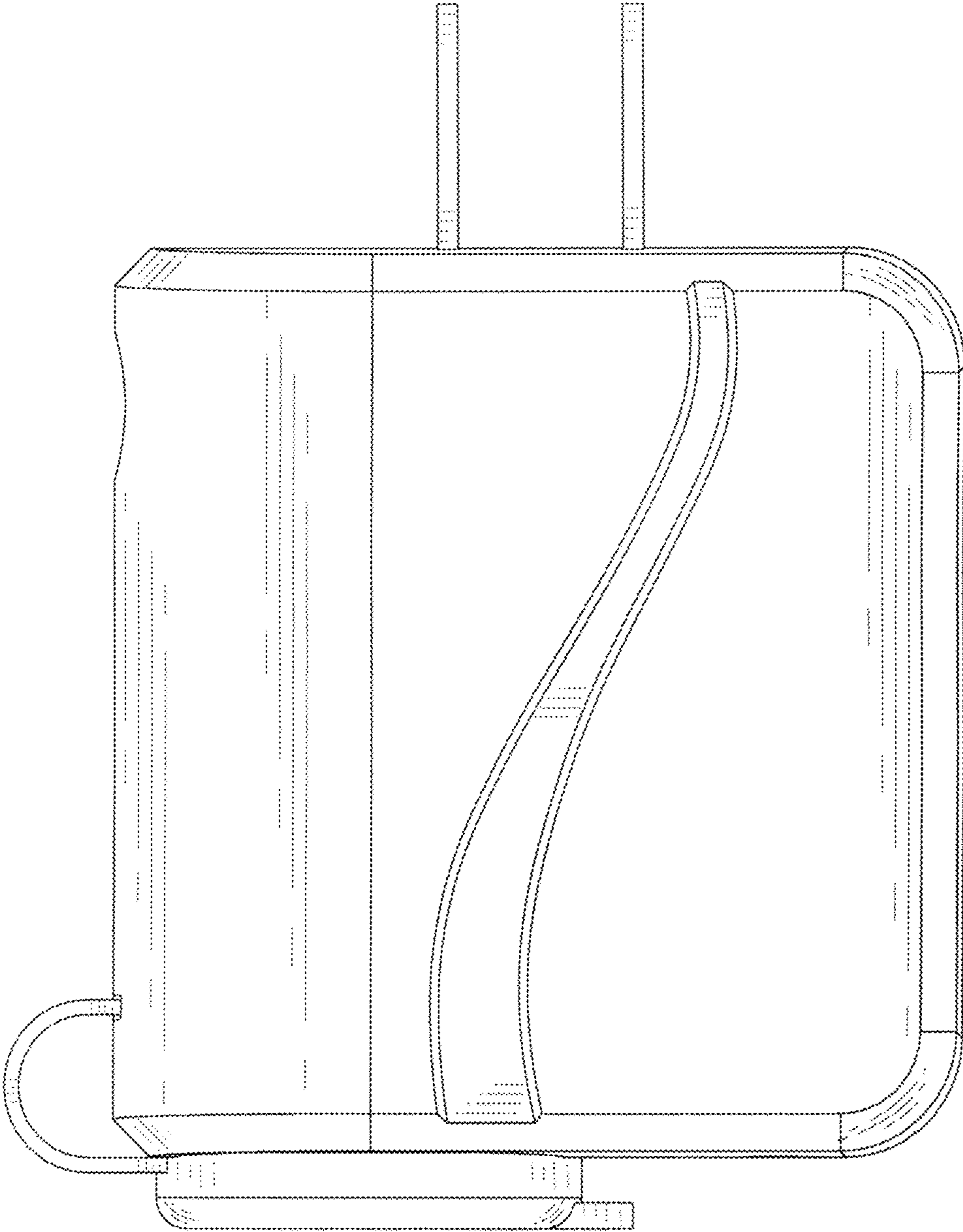


FIG. 2

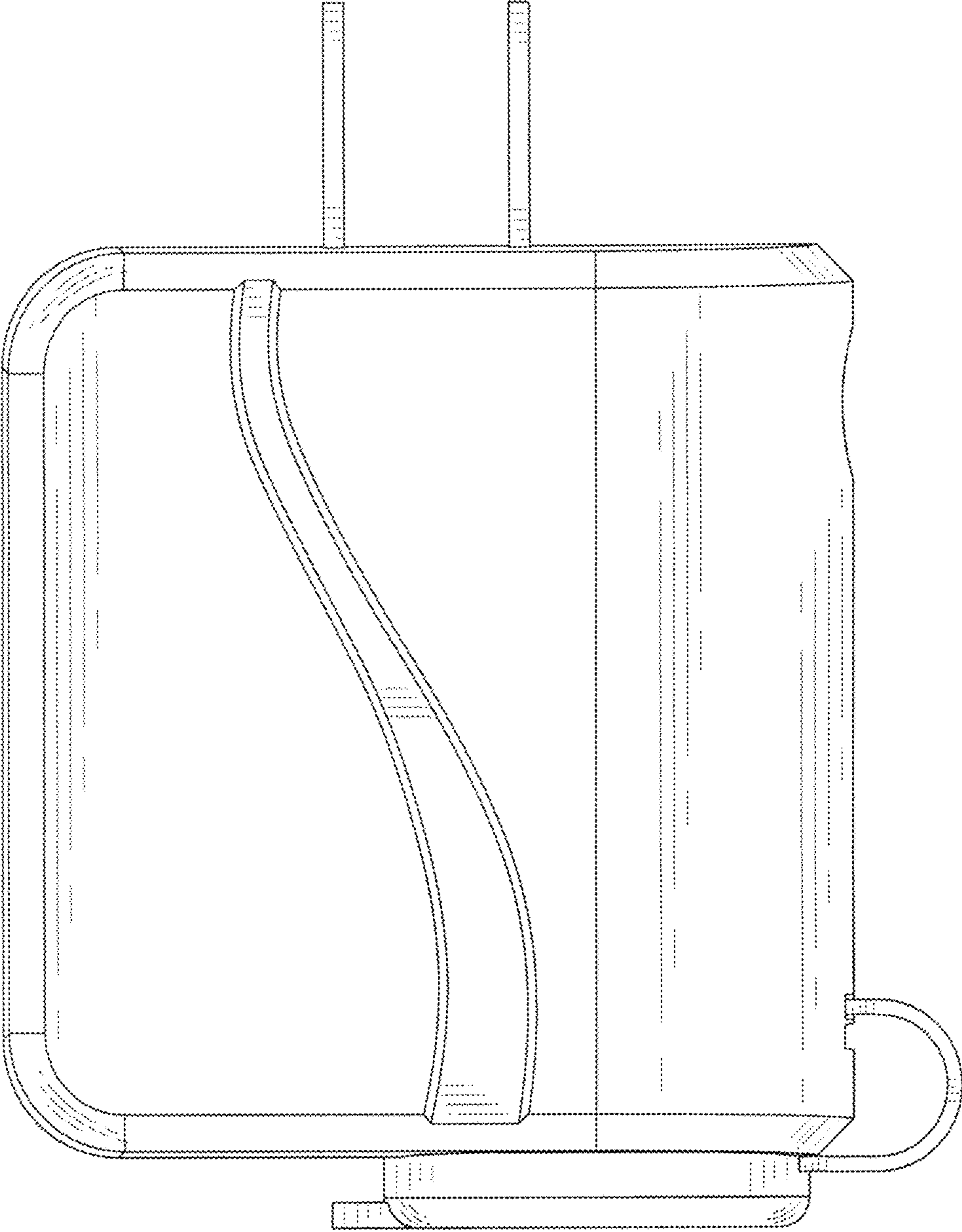


FIG. 3

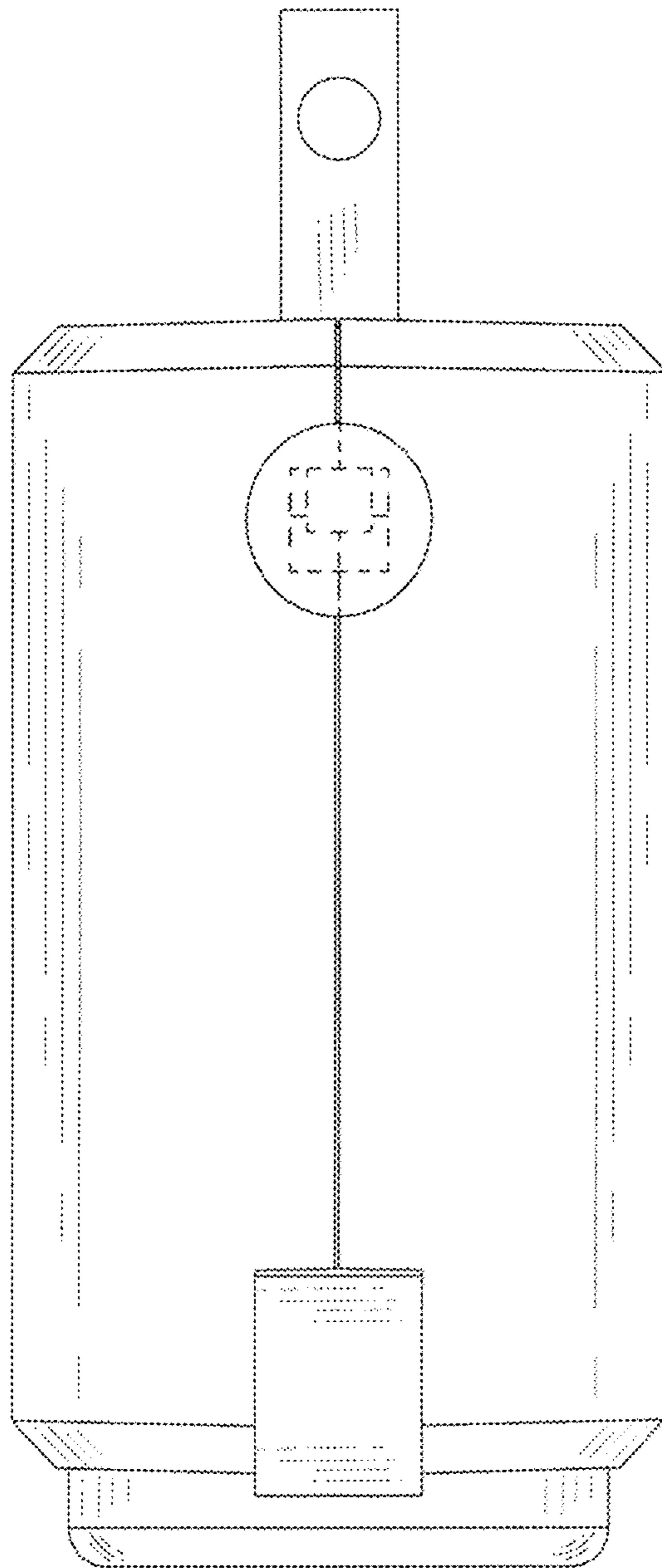


FIG. 4

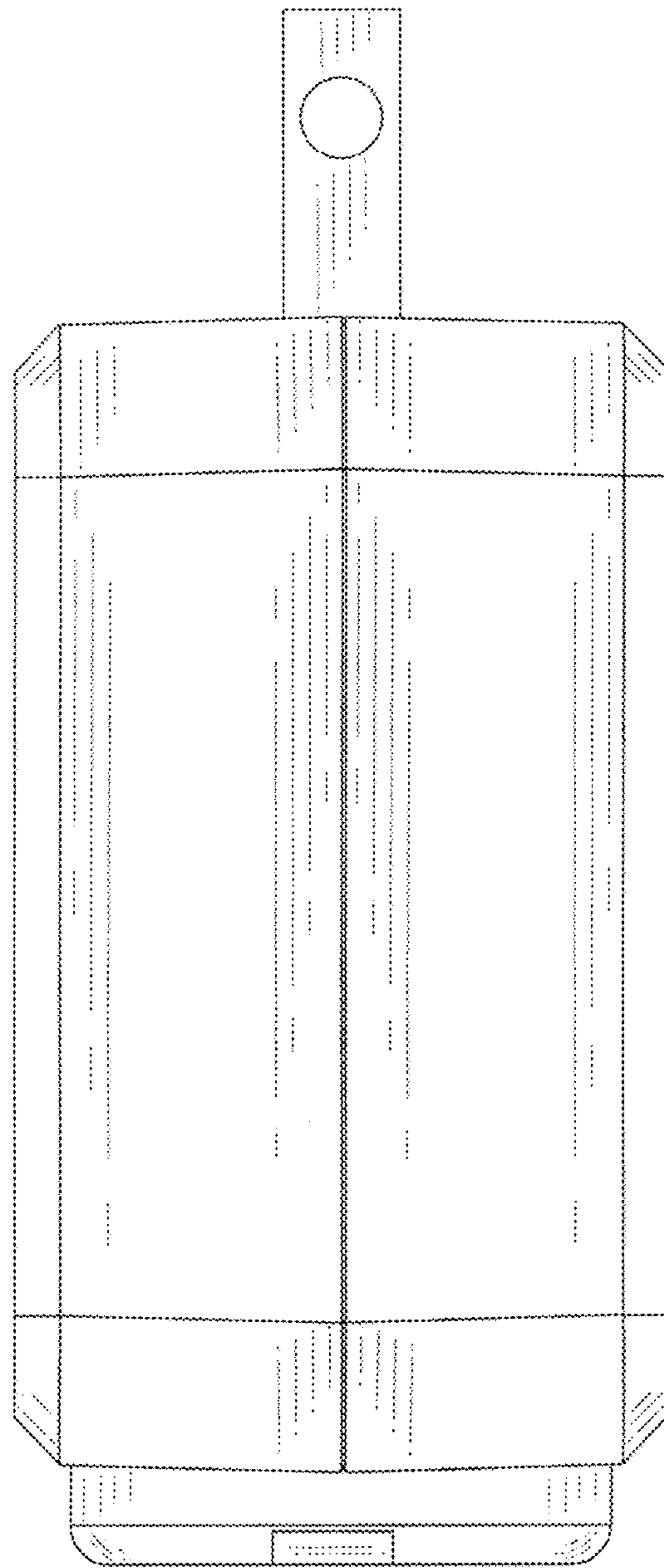


FIG. 5

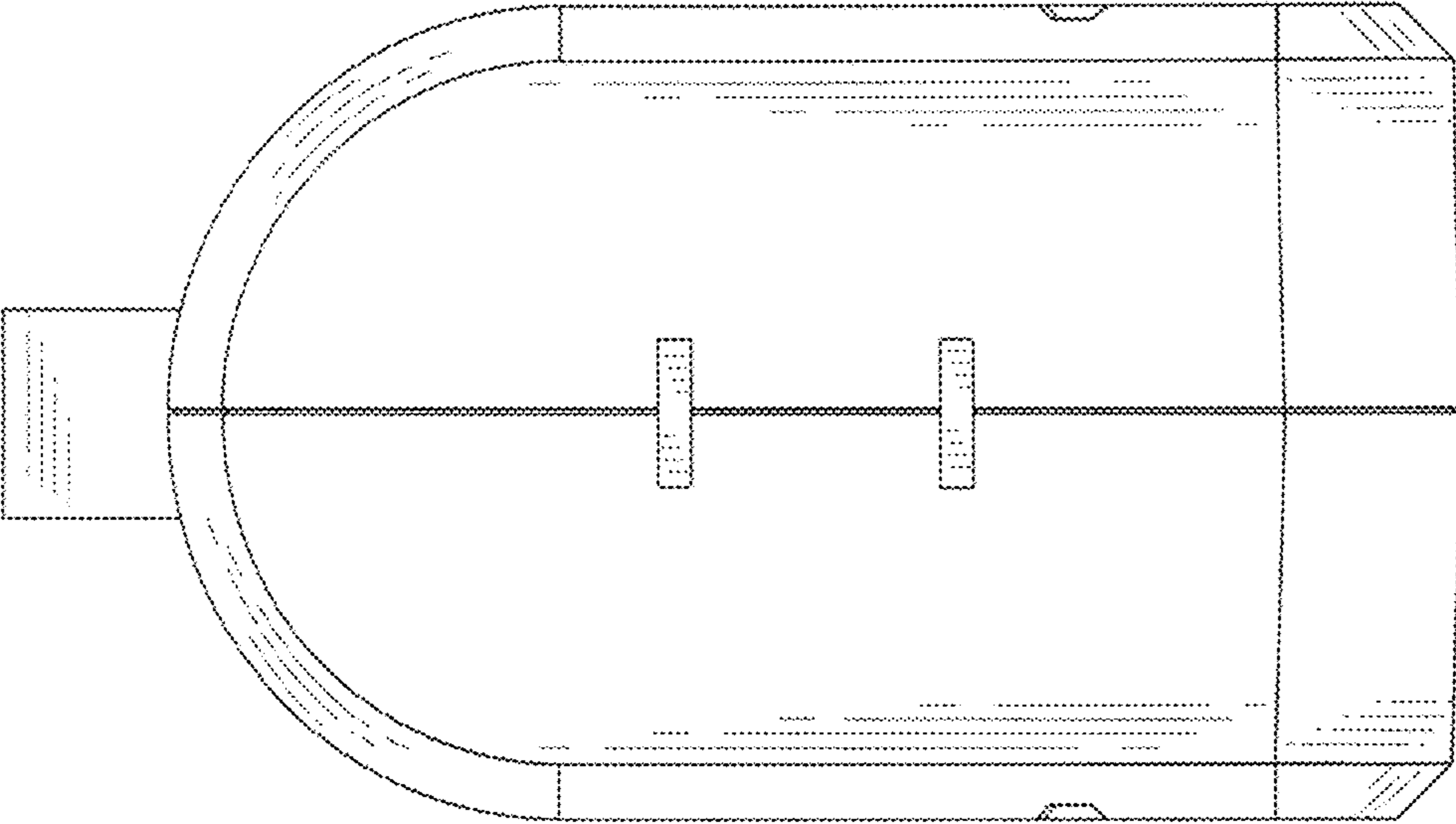


FIG. 6

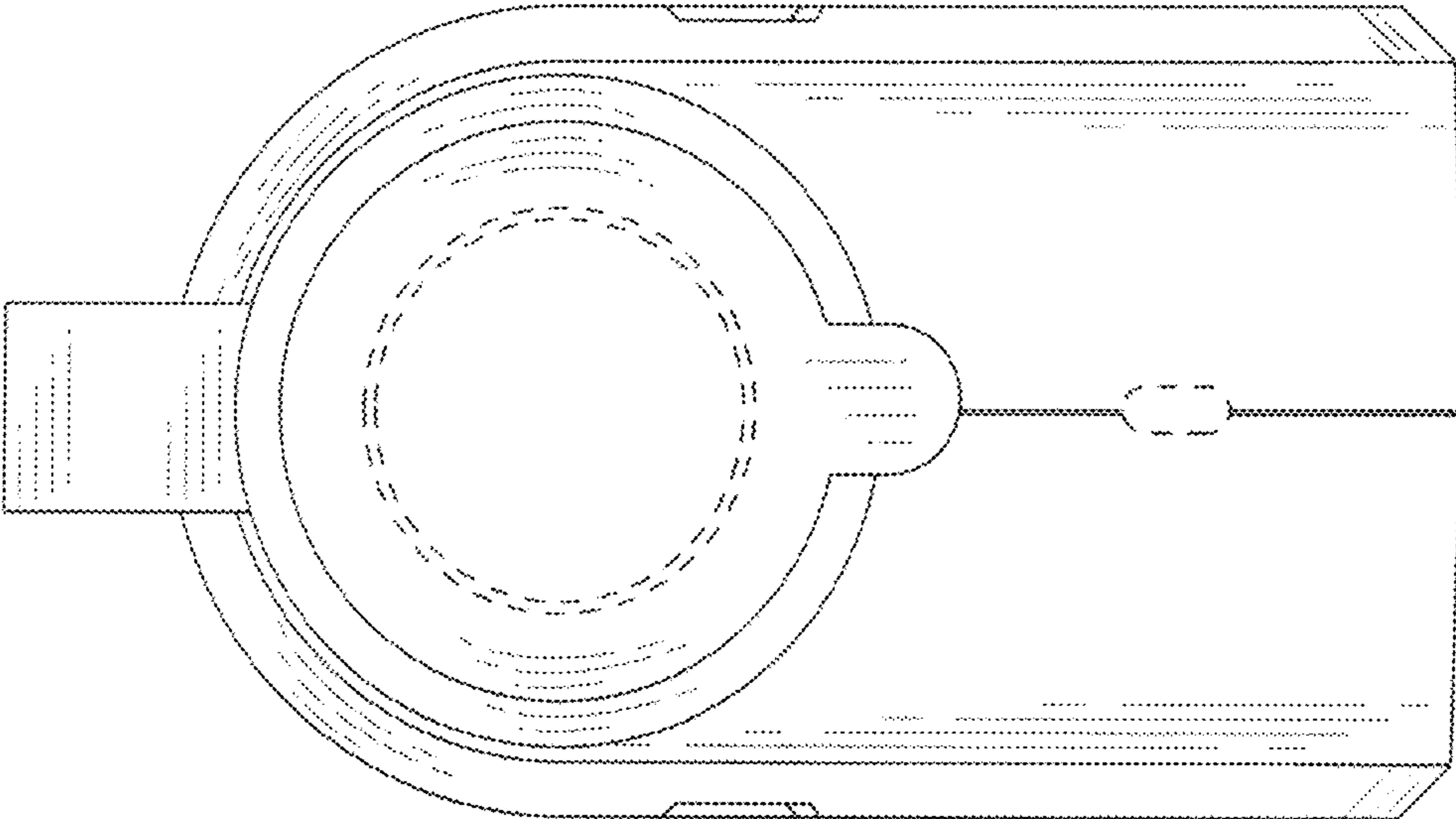


FIG. 7