



US00D975640S

(12) **United States Design Patent** (10) **Patent No.:** **US D975,640 S**
Lu (45) **Date of Patent:** **** Jan. 17, 2023**

(54) **CHARGING BOX**

(71) Applicant: **Mingjian Lu**, Qinzhou (CN)

(72) Inventor: **Mingjian Lu**, Qinzhou (CN)

(**) Term: **15 Years**

(21) Appl. No.: **29/865,902**

(22) Filed: **Aug. 18, 2022**

(51) **LOC (14) Cl.** **13-02**

(52) **U.S. Cl.**
USPC **D13/108**

(58) **Field of Classification Search**

USPC D13/107–108, 110, 118–119, 184, 199;
D14/251, 253, 432, 434, 447
CPC .. H02J 7/025; H02J 7/005; H02J 50/00; H02J
50/10; H02J 50/12; H02J 50/80; H02J
7/02; H02J 7/0026; H02J 7/0042; H02J
7/0044; H02J 7/0045; H02J 7/0013; H02J
7/0003

See application file for complete search history.

(56) **References Cited**

U.S. PATENT DOCUMENTS

D762,168 S *	7/2016	Sandoval	D13/107
D787,443 S *	5/2017	Chiang	D13/110
D872,011 S *	1/2020	Rao	D13/107
D876,356 S *	2/2020	Tanaka	D13/123
D877,070 S *	3/2020	Lemelson	D13/103
D883,201 S	5/2020	Chen		
D892,045 S	8/2020	Zhang		
D908,610 S *	1/2021	Woo	D13/103
D911,949 S *	3/2021	Sun	D13/103
D917,388 S *	4/2021	Bonilla	D13/108
D933,600 S *	10/2021	Wang	D24/217
D936,573 S *	11/2021	Turksu	D13/108
D936,579 S *	11/2021	Wang	D24/217
D940,654 S *	1/2022	Lin	D13/108
D942,943 S	2/2022	Huang		
D951,182 S *	5/2022	Gong	D13/103
D957,328 S	7/2022	Lin		

OTHER PUBLICATIONS

“USB C Charging Station for Multiple Devices BXGG Fast Wireless Charger 5 in 1 Charging Dock with Bottom Seven-Color Light for iPhone/SamsungGalaxy/iWatch/AirPods/Android Ideal for Gift”, Amazon.com, first available on Aug. 12, 2022. <<https://www.amazon.com/Charging-BXGG-Wireless-Seven-Color-SamsungGalaxy/dp/B0B9GSDXFQ/>> (Year: 2022).*
<https://www.amazon.com/dp/B09PYSJK8Y>, from Amazon.com, printed on Aug. 17, 2022.
<https://www.amazon.com/dp/B09CK9KTKC>, from Amazon.com, printed on Aug. 17, 2022.
<https://www.amazon.com/dp/B09934YRY4>, from Amazon.com, printed on Aug. 17, 2022.
<https://www.amazon.com/dp/B09TF93TL3>, from Amazon.com, printed on Aug. 17, 2022.
<https://www.amazon.com/Charging-Station-Ziwodiv-Charger-Multiple/dp/B09V2K7N1Z>, from Amazon.com, printed on Aug. 17, 2022.

* cited by examiner

Primary Examiner — Rosemary K Tarcza
(74) *Attorney, Agent, or Firm* — Vladimir Postnikov

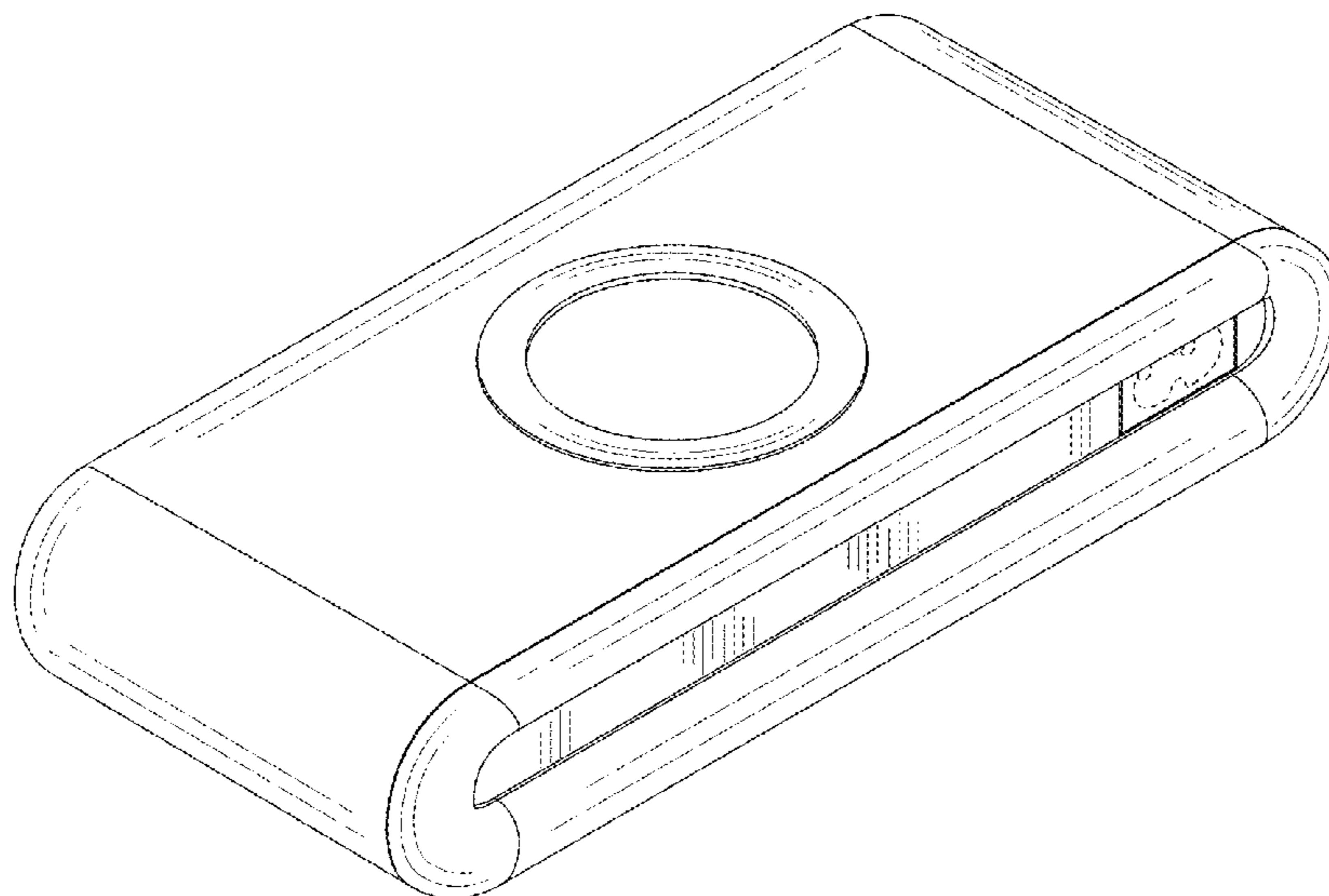
(57) **CLAIM**

The ornamental design for a charging box, as shown and described.

DESCRIPTION

FIG. 1 is a front elevation view of a charging box showing the new design;
FIG. 2 is a back elevation view thereof;
FIG. 3 is a left-side view thereof;
FIG. 4 is a right-side view thereof;
FIG. 5 is a top plan view thereof;
FIG. 6 is a bottom plan view thereof;
FIG. 7 is a top-left perspective view thereof; and,
FIG. 8 is a back, left-side and bottom perspective view thereof.
The broken lines depict portions of the article that form no part of the claimed design.

1 Claim, 8 Drawing Sheets



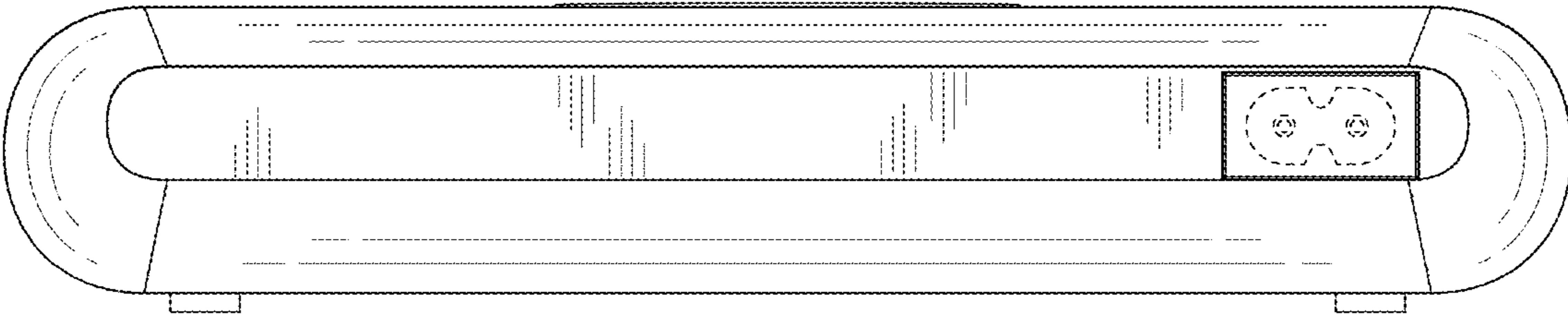


FIG. 1

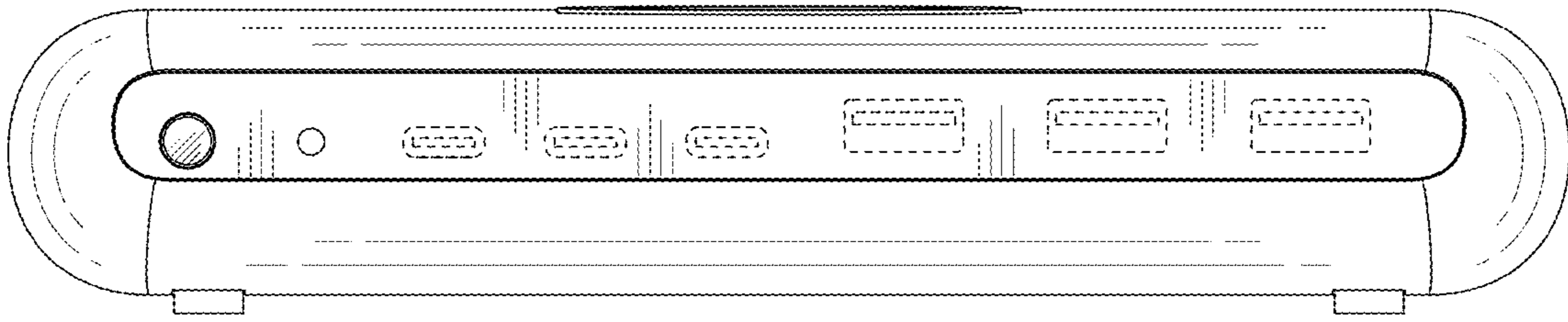


FIG. 2

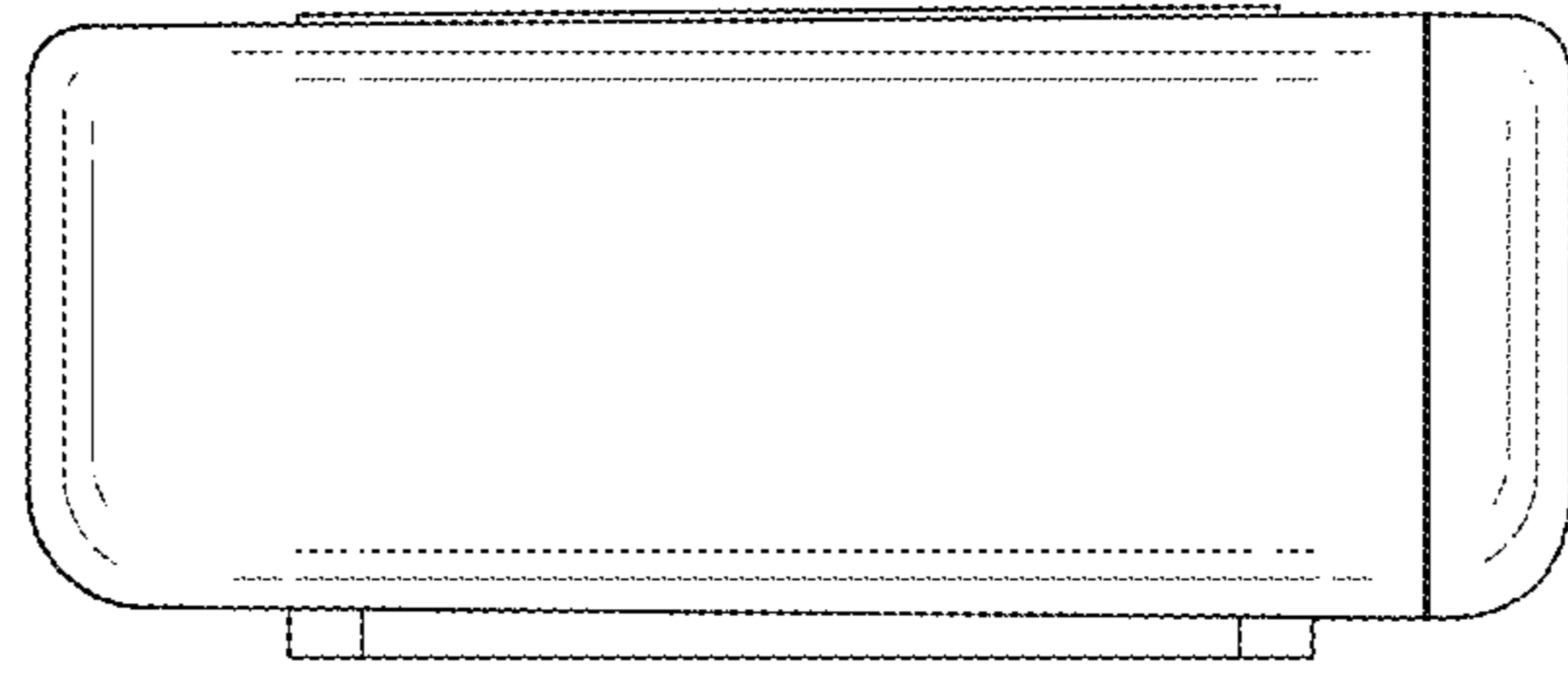


FIG. 3

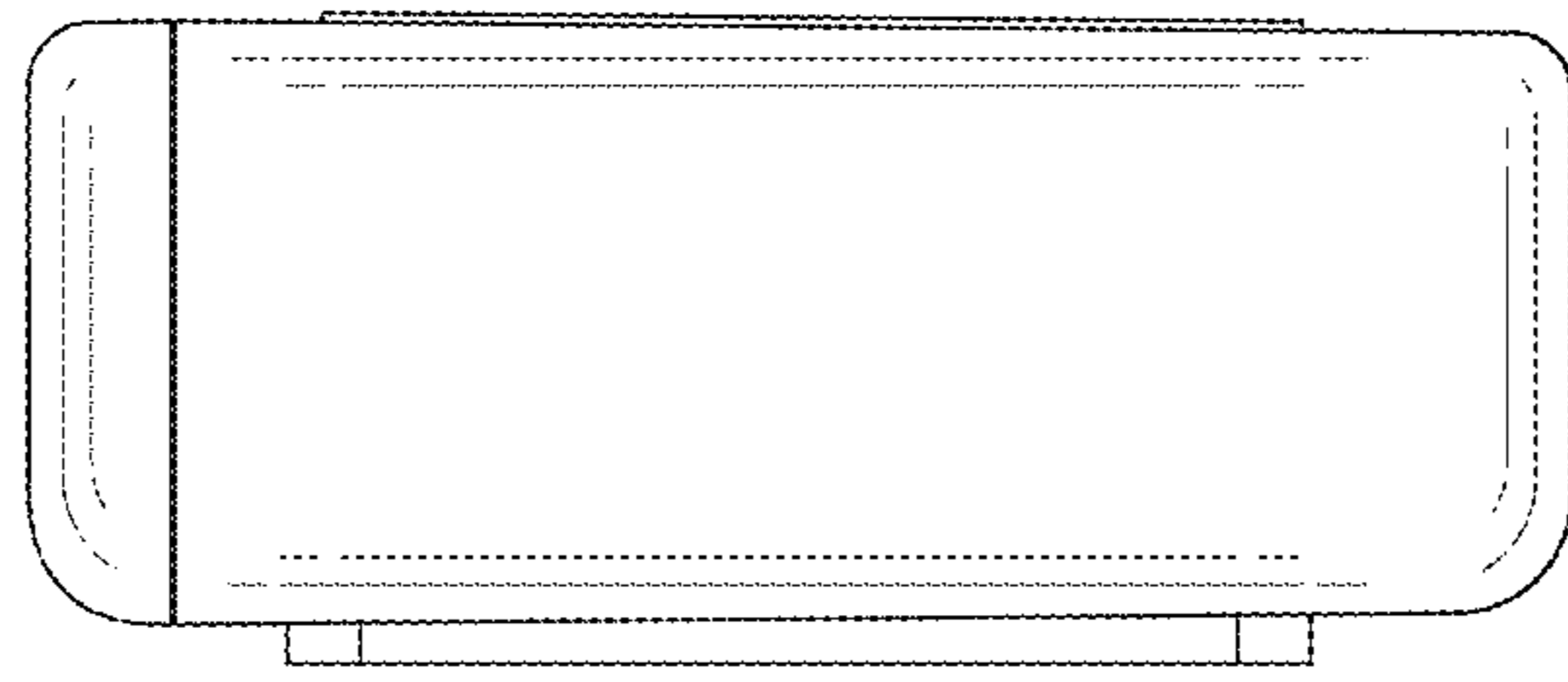


FIG. 4

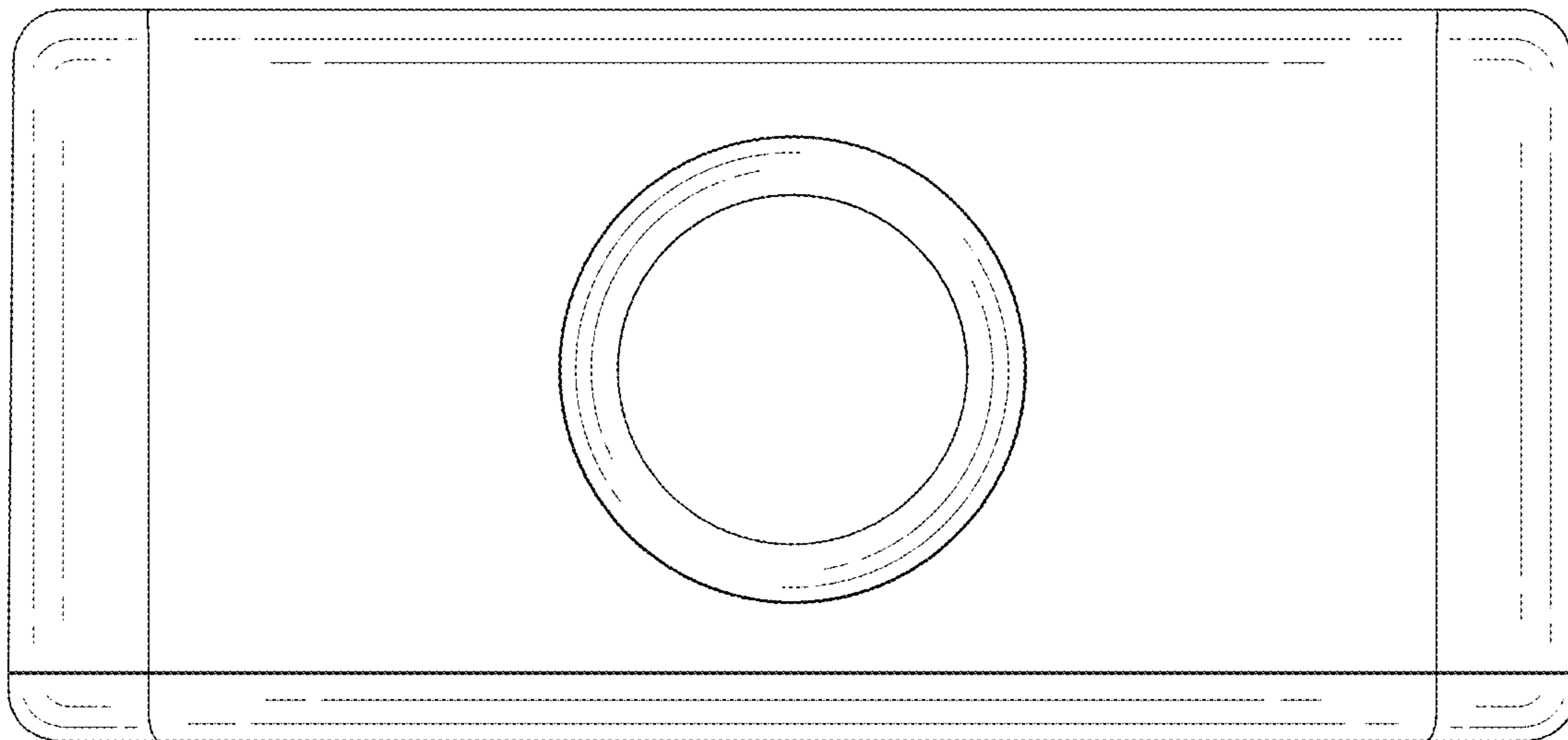


FIG. 5

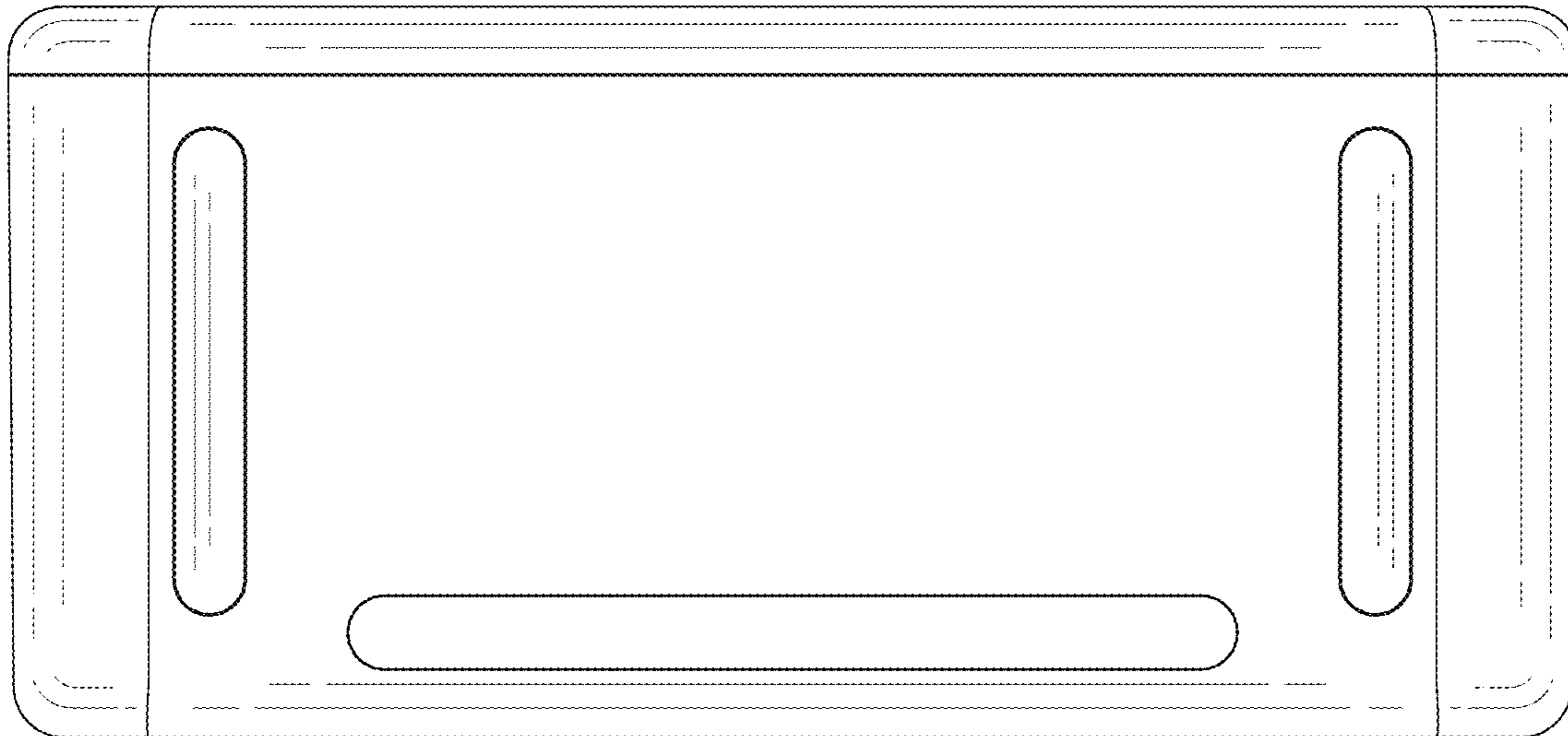


FIG. 6

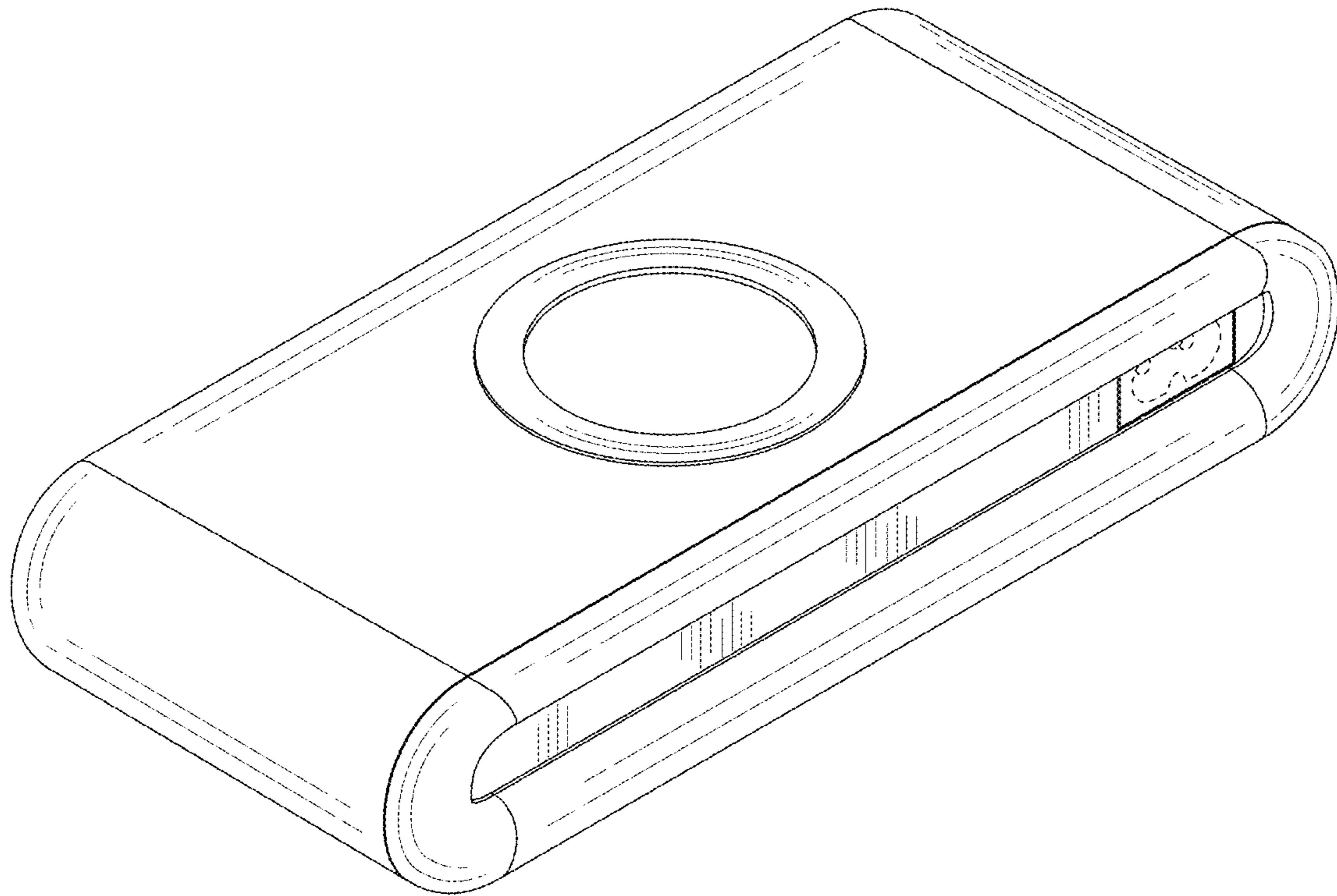


FIG. 7

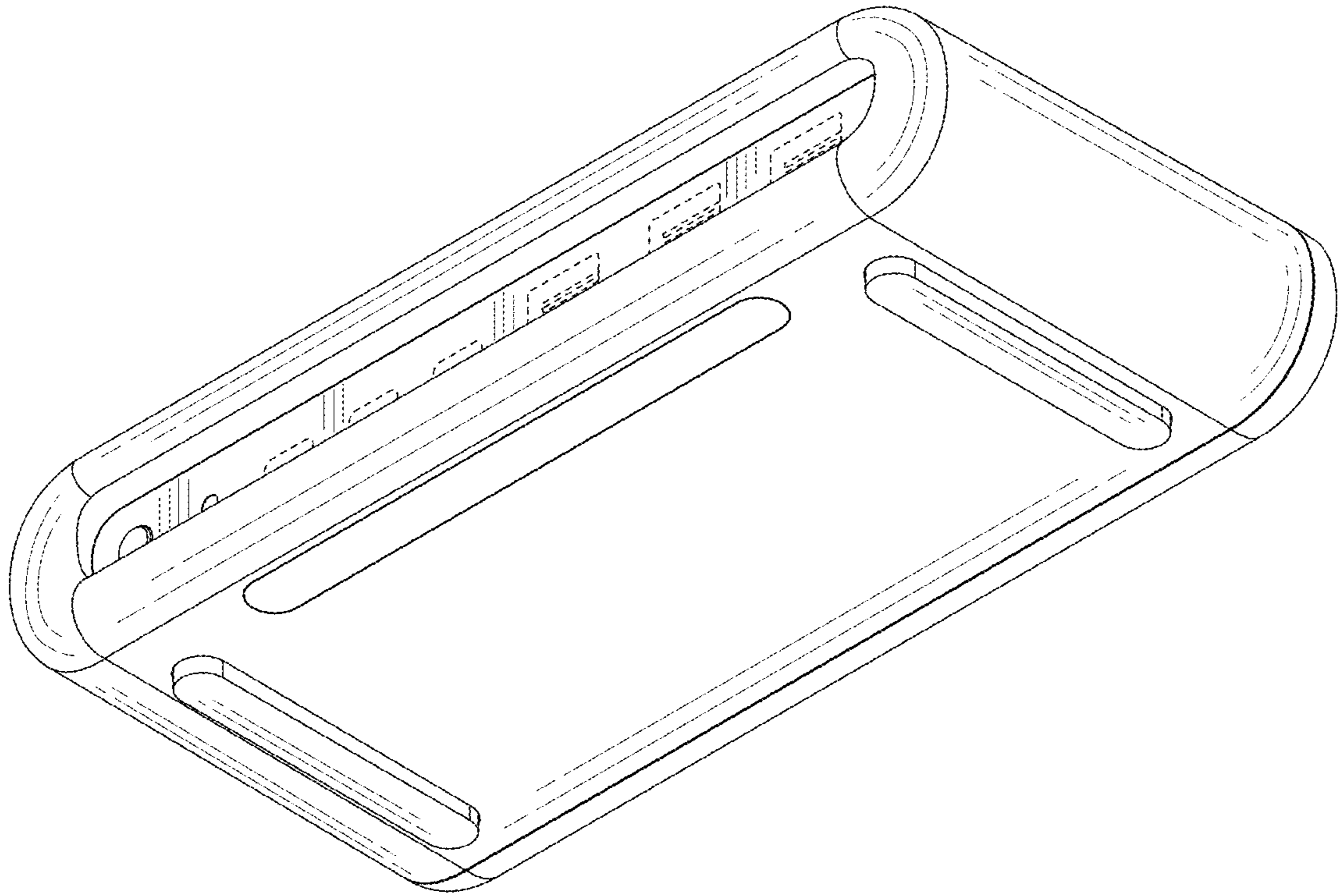


FIG. 8