



US00D975638S

(12) **United States Design Patent**
Wang

(10) **Patent No.:** **US D975,638 S**
(45) **Date of Patent:** **** Jan. 17, 2023**

(54) **WIRELESS CHARGER**

(71) Applicant: **Bo Wang**, Luoyang (CN)

(72) Inventor: **Bo Wang**, Luoyang (CN)

(**) Term: **15 Years**

(21) Appl. No.: **29/814,921**

(22) Filed: **Nov. 10, 2021**

(30) **Foreign Application Priority Data**

Sep. 29, 2021 (CN) 202130651002.8

(51) **LOC (14) Cl.** **13-02**

(52) **U.S. Cl.**
USPC **D13/108**

(58) **Field of Classification Search**
USPC D13/103, 107, 108, 110, 118, 151, 153,
D13/154, 155, 184
CPC Y02E 60/10; Y02E 60/50; H01M 50/10;
H01M 50/107; H01M 50/557; H01M
50/209; H01M 50/502; H01M 2220/30;
H02J 7/00; H02J 7/0003; H02J 7/0011;
H02J 7/0013; H02J 7/0054; H02J 7/0055;
H02J 7/0057

See application file for complete search history.

(56) **References Cited**

U.S. PATENT DOCUMENTS

| | | | | |
|--------------|---------|------------|-------|---------|
| D694,182 S * | 11/2013 | Lee | | D13/108 |
| D718,234 S * | 11/2014 | Rautiainen | | D13/108 |
| D718,236 S * | 11/2014 | Murray | | D13/108 |
| D725,034 S * | 3/2015 | Chen | | D13/108 |
| D735,131 S * | 7/2015 | Akana | | D13/108 |
| D737,762 S * | 9/2015 | Aumiller | | D13/108 |
| D738,823 S * | 9/2015 | Chen | | D13/108 |
| D741,307 S * | 10/2015 | Kester | | D14/248 |
| D746,772 S * | 1/2016 | Aumiller | | D13/108 |
| D747,267 S * | 1/2016 | Aumiller | | D13/108 |

| | | | | |
|--------------|---------|---------|-------|---------|
| D765,662 S * | 9/2016 | Kang | | D14/251 |
| D786,193 S * | 5/2017 | Akana | | D13/108 |
| D798,807 S * | 10/2017 | Shi | | D13/108 |
| D806,020 S * | 12/2017 | Lu | | D13/107 |
| D850,372 S * | 6/2019 | Kong | | D13/108 |
| D869,391 S * | 12/2019 | Roberts | | D13/108 |
| D890,095 S * | 7/2020 | Liao | | D13/110 |
| D899,359 S * | 10/2020 | Zhang | | D13/108 |
| D900,027 S * | 10/2020 | Reilly | | D13/108 |
| D908,620 S * | 1/2021 | Akana | | D13/108 |
| D911,276 S * | 2/2021 | Li | | D13/108 |
| D927,477 S * | 8/2021 | Jordan | | D14/253 |

(Continued)

Primary Examiner — Christy Nemeth

(57) **CLAIM**

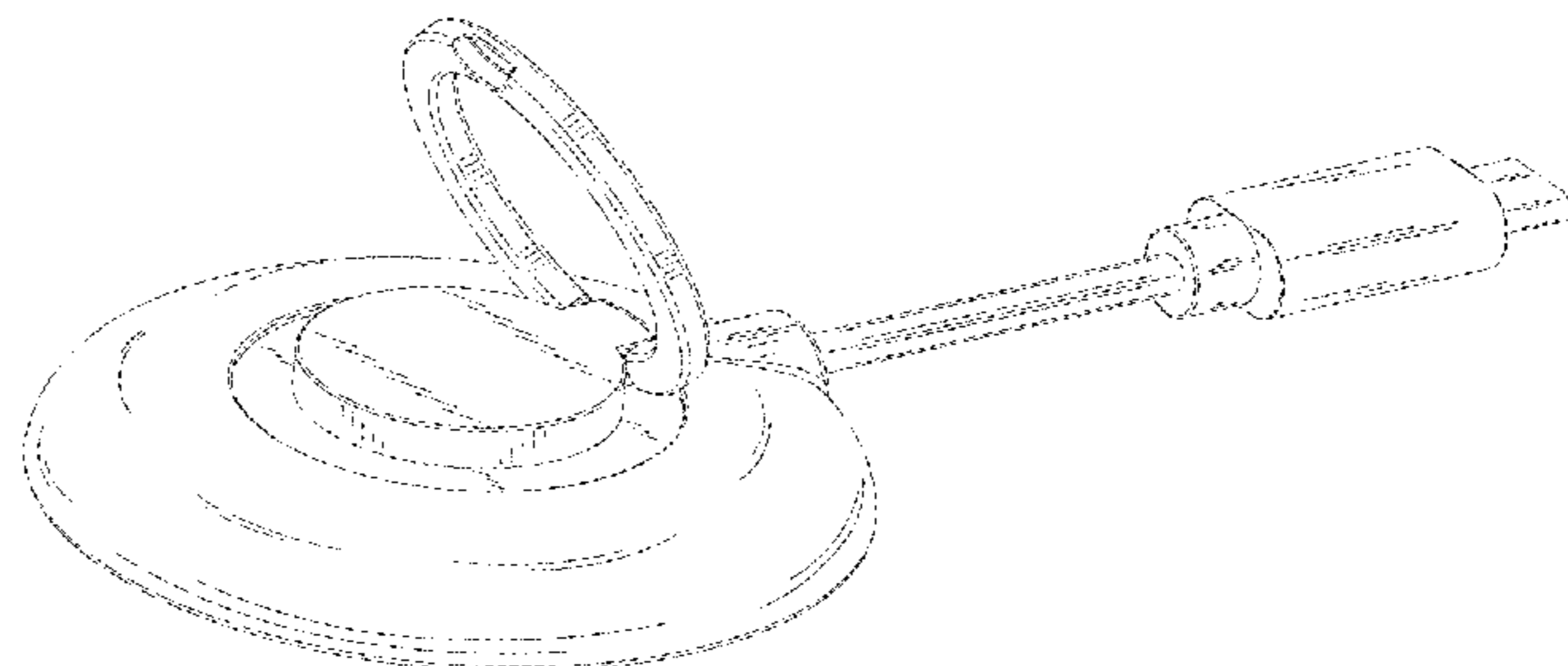
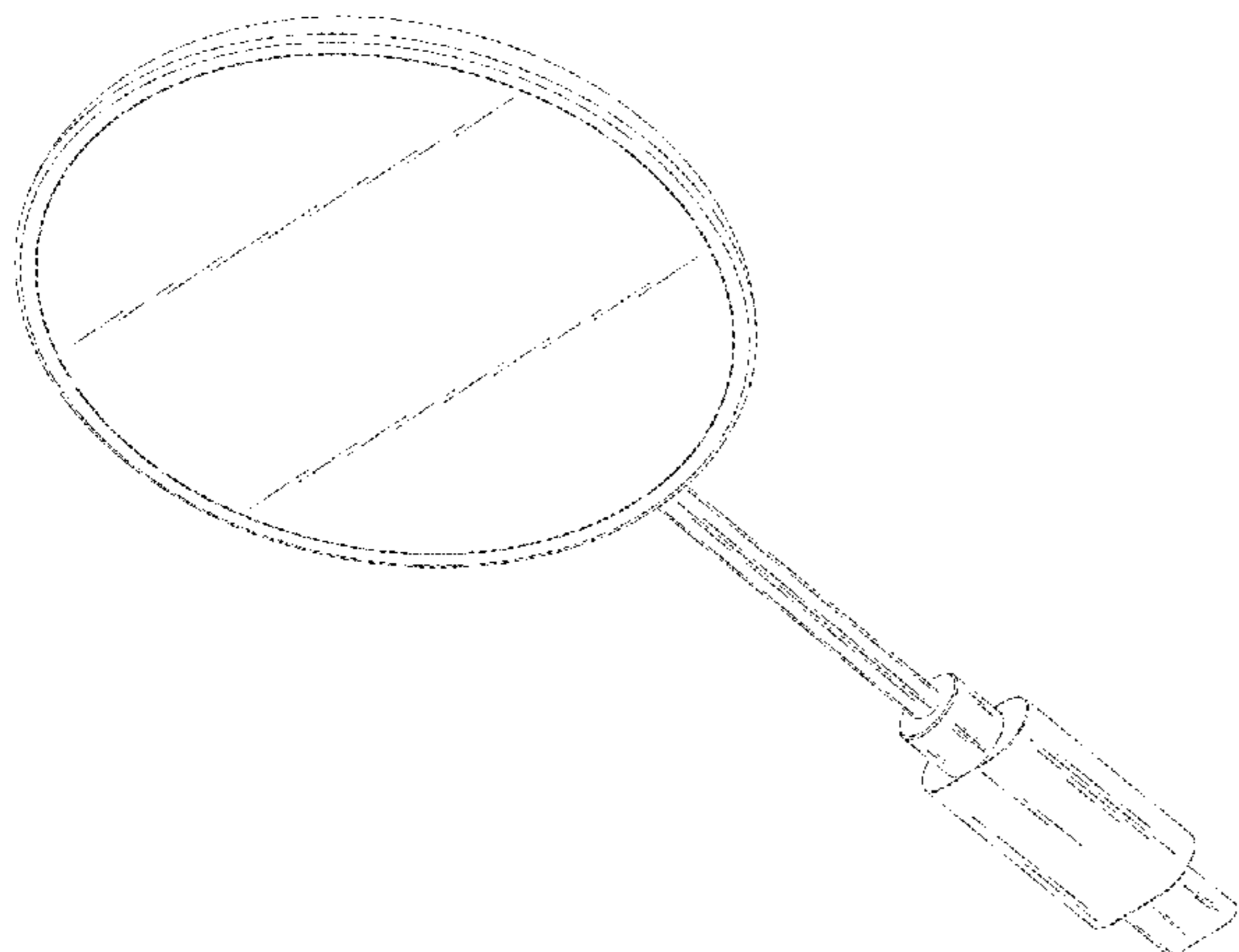
The ornamental design for a wireless charger, substantially as shown and described.

DESCRIPTION

FIG. 1 is a top, front and right side perspective view of a wireless charger, showing my new design;
FIG. 2 is a front elevational view thereof;
FIG. 3 is a rear elevational view thereof;
FIG. 4 is a left side elevational view thereof;
FIG. 5 is a right side elevational view thereof;
FIG. 6 is a top plan view thereof;
FIG. 7 is a bottom plan view thereof;
FIG. 8 is a top, rear, and right side perspective view thereof;
FIG. 9 is a top, rear, and right side perspective view thereof, shown in an expanded state; and,
FIG. 10 is an enlarged view of encircled area '10' in FIG. 7 thereof.

The dash-dash broken lines in the drawings illustrate portions of the wireless charger that form no part of the claimed design. The dot-dash-dash broken lines in the drawings are for the purpose of illustrating the boundaries of the areas shown enlarged in the views and form no part of the claimed design.

1 Claim, 10 Drawing Sheets



(56)

References Cited

U.S. PATENT DOCUMENTS

| | | | | |
|--------------|---------|---------|-------|---------|
| D931,847 S * | 9/2021 | Min | | D14/253 |
| D935,402 S * | 11/2021 | Qiu | | D13/108 |
| D936,576 S * | 11/2021 | Joung | | D13/108 |
| D937,765 S * | 12/2021 | Akana | | D13/107 |
| D943,524 S * | 2/2022 | Zheng | | D13/108 |
| D946,506 S * | 3/2022 | Cheng | | D13/107 |
| D946,507 S * | 3/2022 | Cheng | | D13/107 |
| D946,508 S * | 3/2022 | Cheng | | D13/107 |
| D948,427 S * | 4/2022 | Lin | | D13/108 |
| D958,071 S * | 7/2022 | Yang | | D13/108 |
| D958,072 S * | 7/2022 | Yang | | D13/108 |
| D958,131 S * | 7/2022 | Kanakis | | D14/250 |
| D958,737 S * | 7/2022 | Turksu | | D13/108 |

* cited by examiner

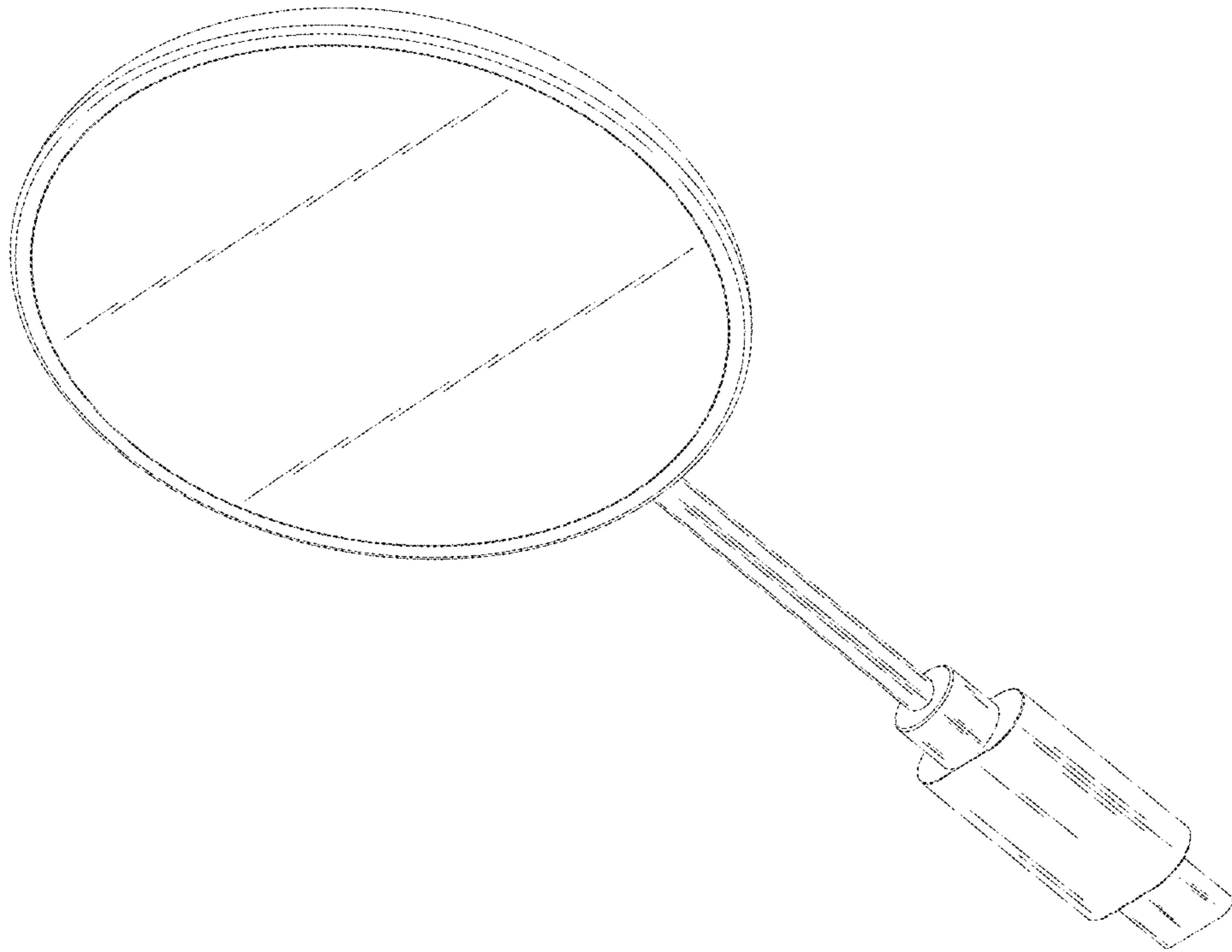


FIG. 1

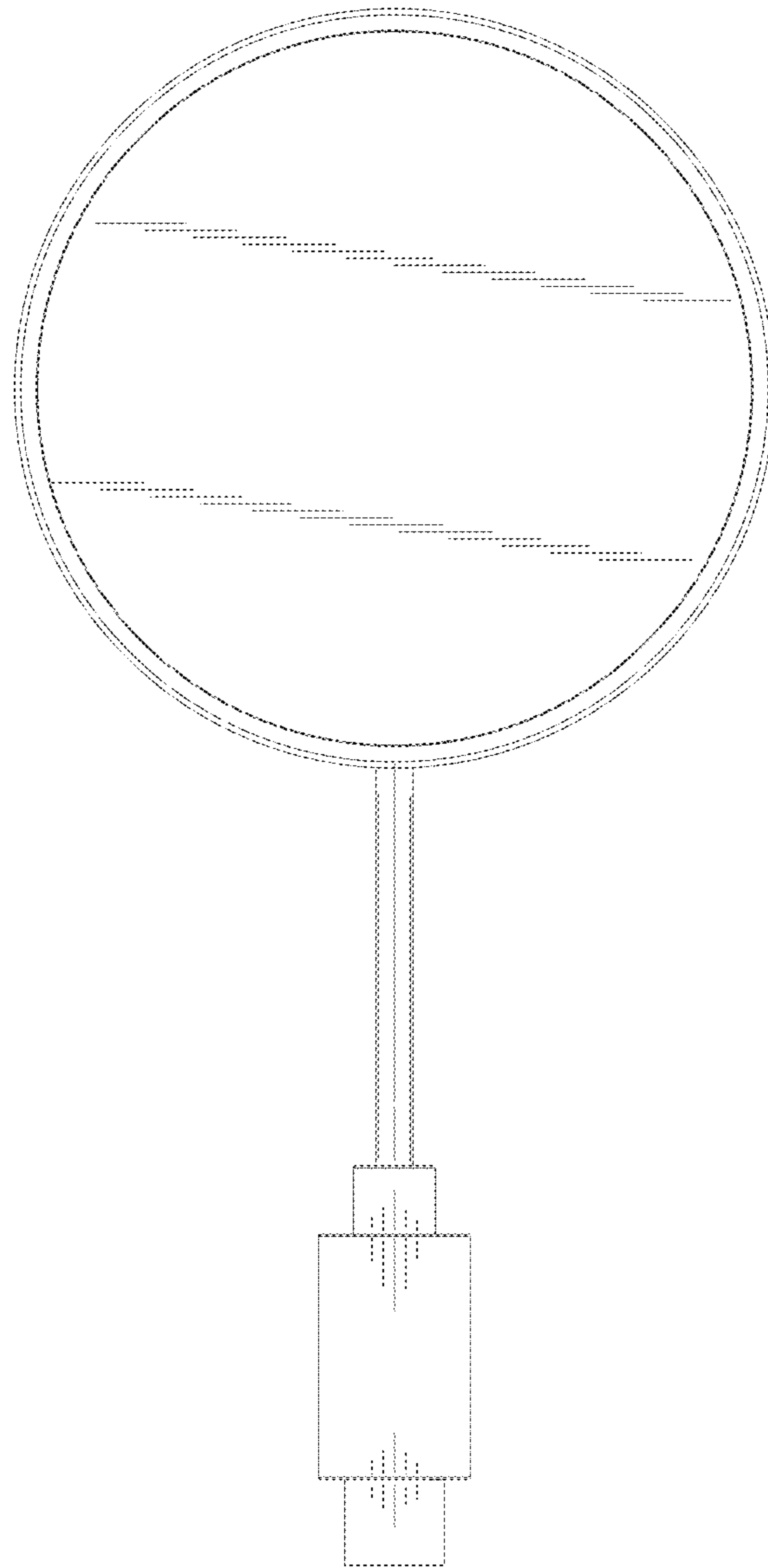


FIG. 2

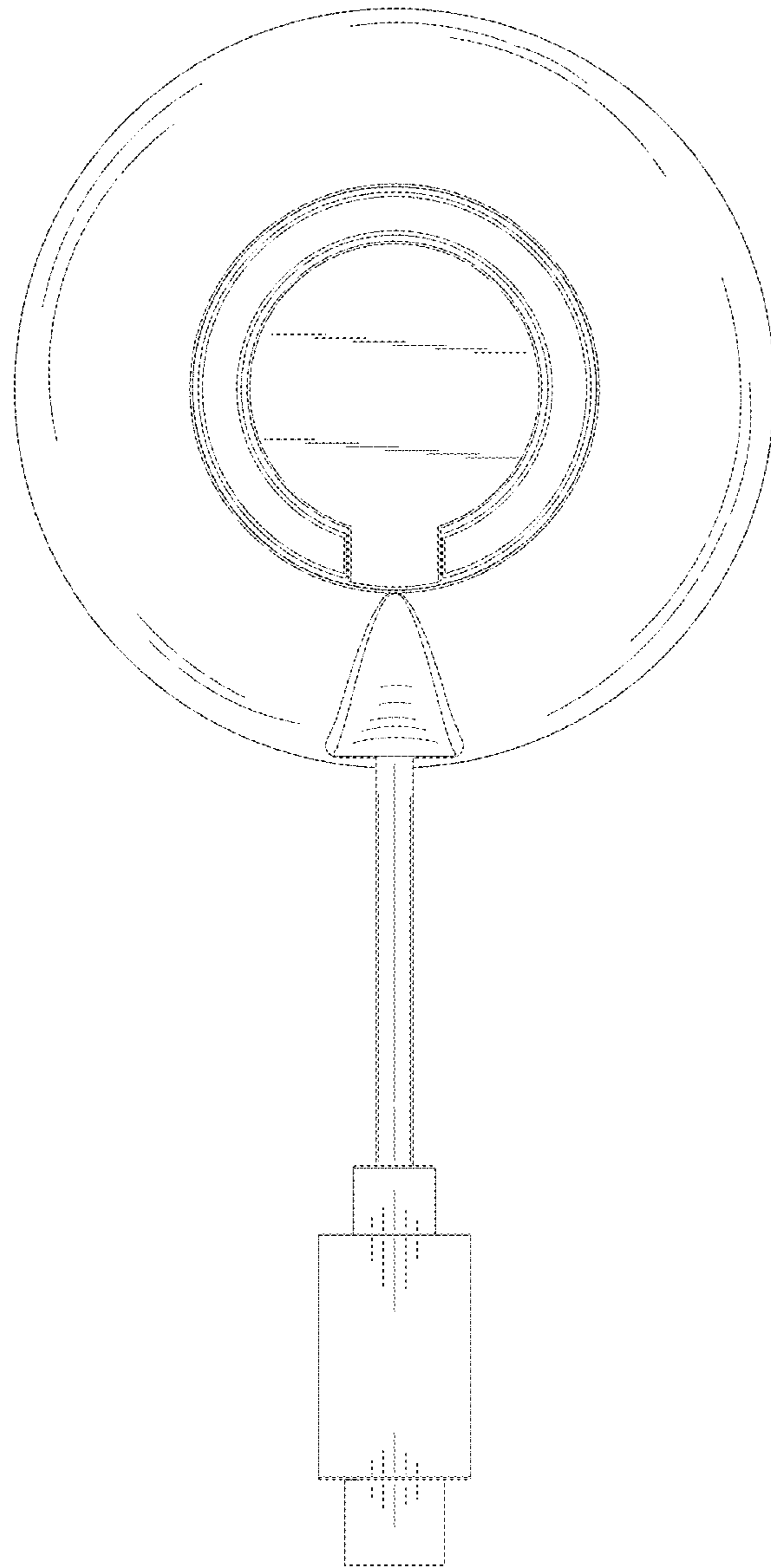


FIG. 3



FIG. 4

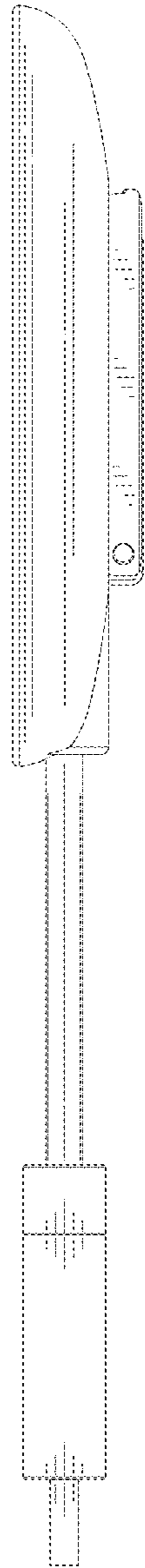


FIG. 5

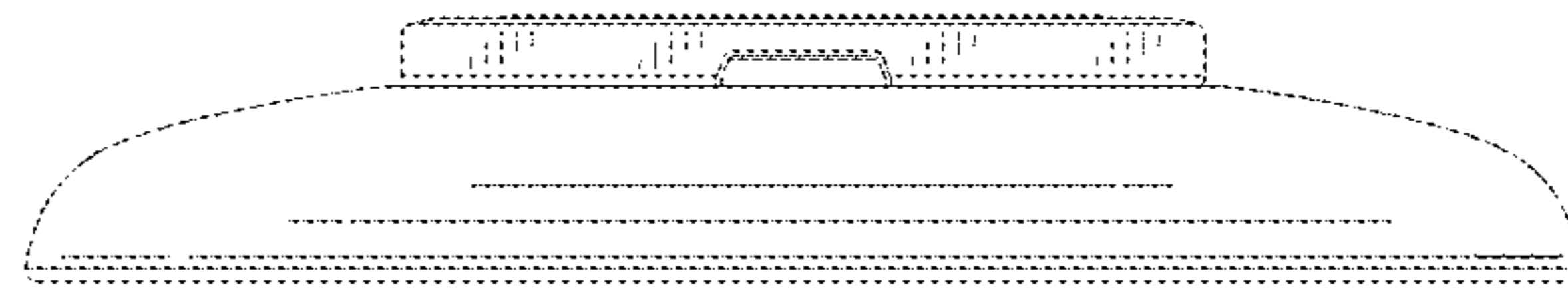


FIG. 6

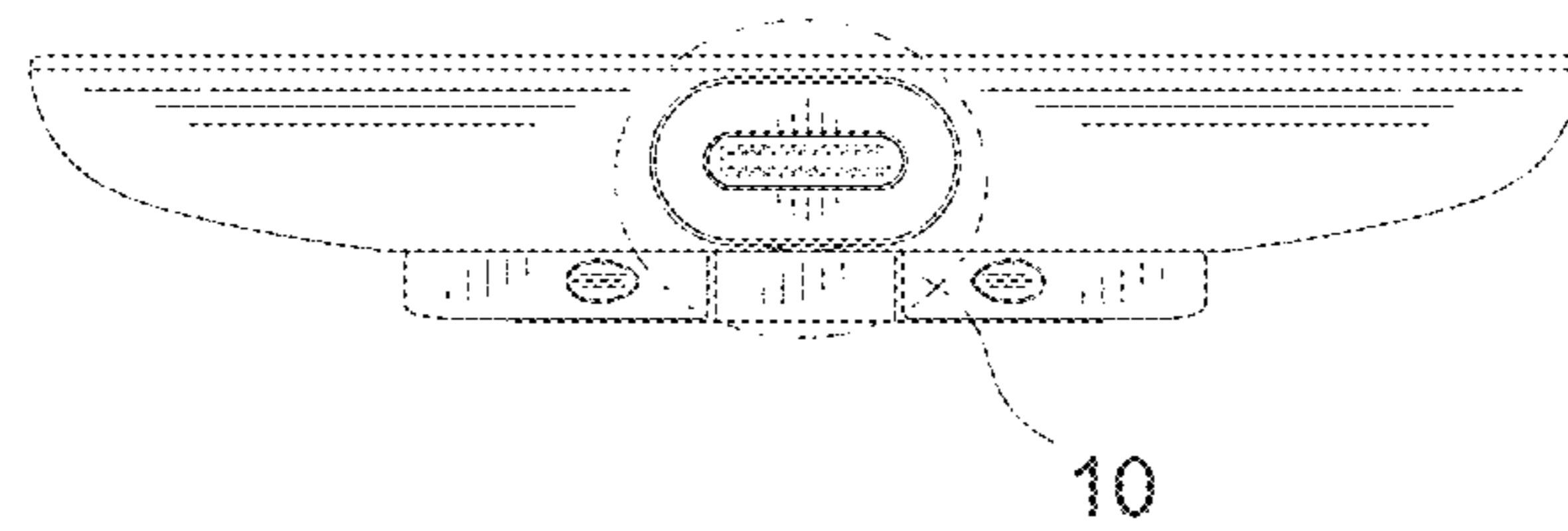


FIG. 7

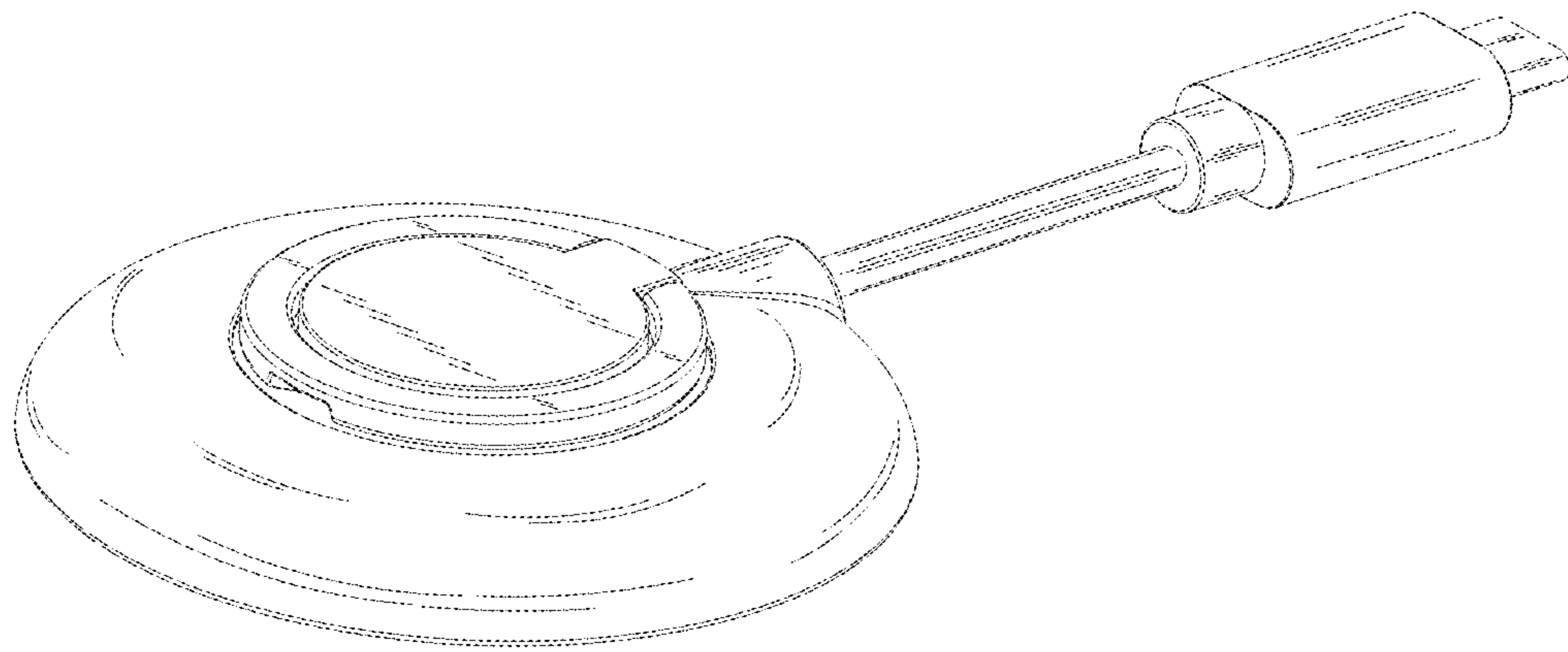


FIG. 8

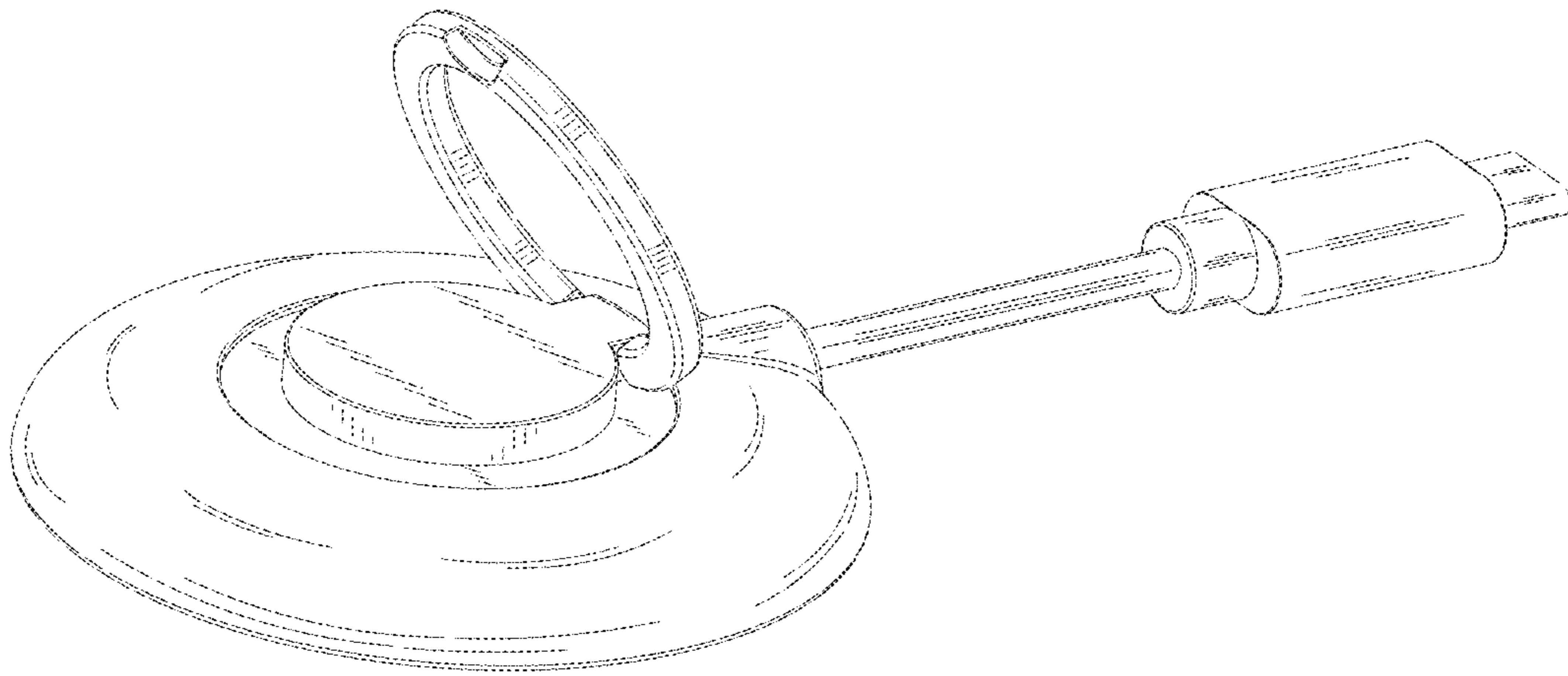


FIG. 9

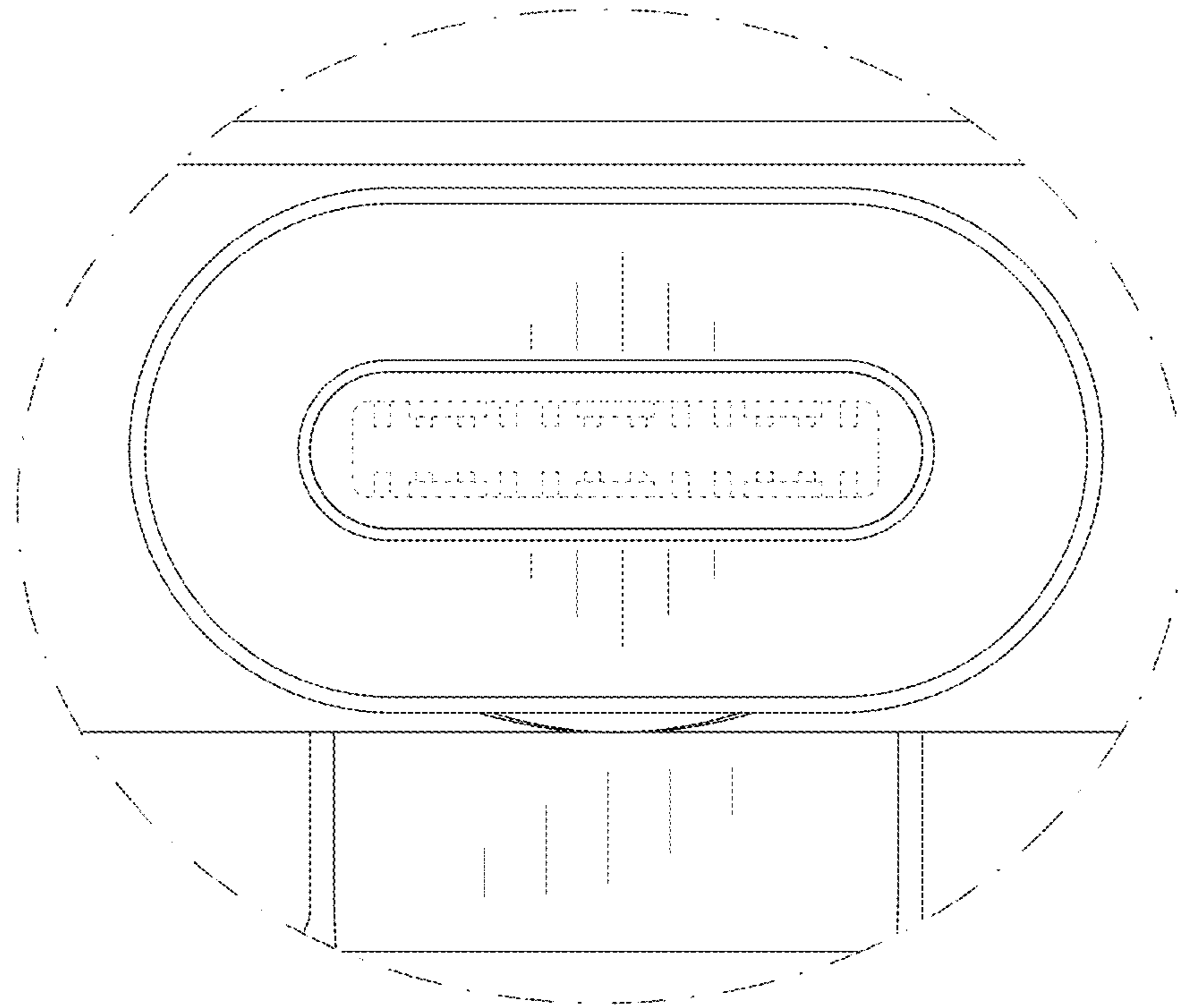


FIG. 10