



US00D975636S

(12) **United States Design Patent**
Zhao

(10) **Patent No.:** **US D975,636 S**
(45) **Date of Patent:** **** Jan. 17, 2023**

(54) **WIRELESS CHARGER**

(71) Applicant: **Shenzhen Itian Technology Co., Ltd.**,
Shenzhen (CN)

(72) Inventor: **Jiankun Zhao**, Shenzhen (CN)

(**) Term: **15 Years**

(21) Appl. No.: **29/765,794**

(22) Filed: **Jan. 12, 2021**

(30) **Foreign Application Priority Data**

Nov. 27, 2020 (CN) 202030728009.0

(51) **LOC (14) Cl.** **13-02**

(52) **U.S. Cl.**
USPC **D13/108**

(58) **Field of Classification Search**
USPC D13/103, 107, 108, 110, 118, 184, 199;
D14/251, 252, 253, 432, 434; D12/415,
D12/416, 417, 418, 419, 420, 421
CPC B60R 7/06; B60R 2011/0005; H02J 7/025;
H02J 7/0042; H02J 7/0044; H02J 7/0045;
H02J 7/0003; H01R 13/6675; H01M
2/1022; H01M 2/1055; H01M 10/44;
H01M 10/46; H01M 10/425; B60L
11/182

See application file for complete search history.

(56) **References Cited**

U.S. PATENT DOCUMENTS

D486,140 S *	2/2004	Park	D14/216
D852,134 S *	6/2019	Mei	D13/108
D852,135 S *	6/2019	Mei	D13/108
D857,626 S *	8/2019	Zhang	D13/108
D858,437 S *	9/2019	Lu	D13/108
D904,978 S *	12/2020	Liao	D13/108
D905,042 S *	12/2020	Lim	D14/434
D928,702 S *	8/2021	Liao	D13/108
D942,389 S *	2/2022	Sun	D14/447

D944,788 S *	3/2022	Huang	D14/253
D951,864 S *	5/2022	Chen	D13/108
D955,331 S *	6/2022	Wang	D13/108
D960,094 S *	8/2022	Jiang	D13/108
D960,095 S *	8/2022	Chen	D13/108
D964,274 S *	9/2022	Liao	D13/108
2020/0185952 A1 *	6/2020	Morrow	H02J 50/005

OTHER PUBLICATIONS

Wireless Charger, 3 in 1 Qi Certified, available in Amazon.com, date first available Jan. 11, 2021 [online], [site visited Sep. 30, 2022], Available from the internet URL: <https://www.amazon.com/dp/B08SLRM618/> (Year: 2021).*

3 in 1 Magnetic Wireless Charger Station, available in Amazon.com, date first available May 15, 2021 [online], [site visited Sep. 29, 2022], Available from the internet URL: <https://www.amazon.com/MAKAQI-Magnetic-Wireless-Compatible-Charging/dp/B094ZCRP2Y> (Year: 2021).*

* cited by examiner

Primary Examiner — Christy Nemeth
Assistant Examiner — Leah E Hoeferkamp

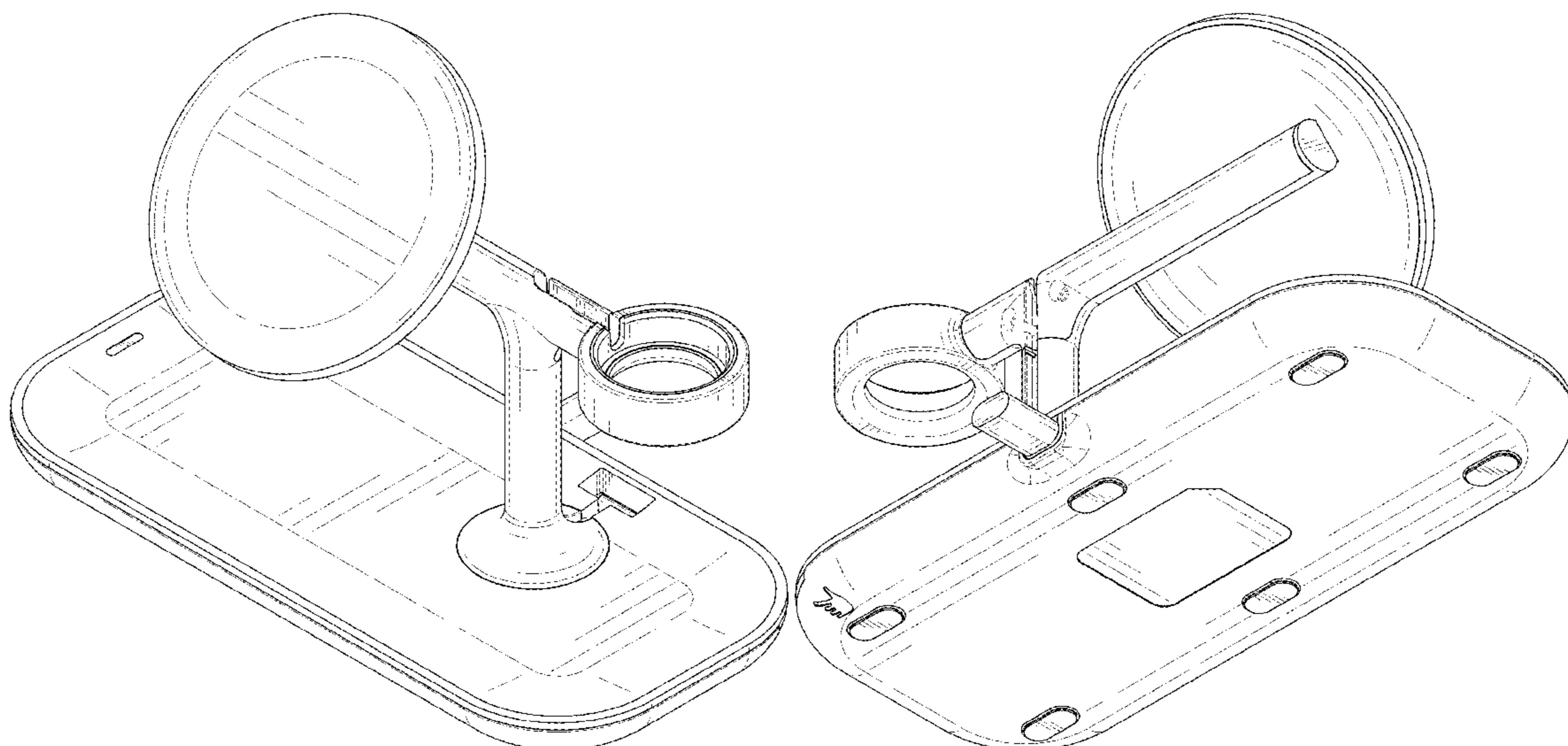
(57) **CLAIM**

The ornamental design for a wireless charger, as shown and described.

DESCRIPTION

FIG. 1 is a front and top perspective view of a wireless charger showing my design;
FIG. 2 is a rear and bottom perspective view thereof;
FIG. 3 is a front elevation view thereof;
FIG. 4 is a rear elevation view thereof;
FIG. 5 is a left side elevation view thereof;
FIG. 6 is a right side elevation view thereof;
FIG. 7 is a top plan view thereof; and,
FIG. 8 is a bottom plan view thereof.
The broken lines in the drawings depict portions of the wireless charger that form no part of the claimed design.

1 Claim, 8 Drawing Sheets



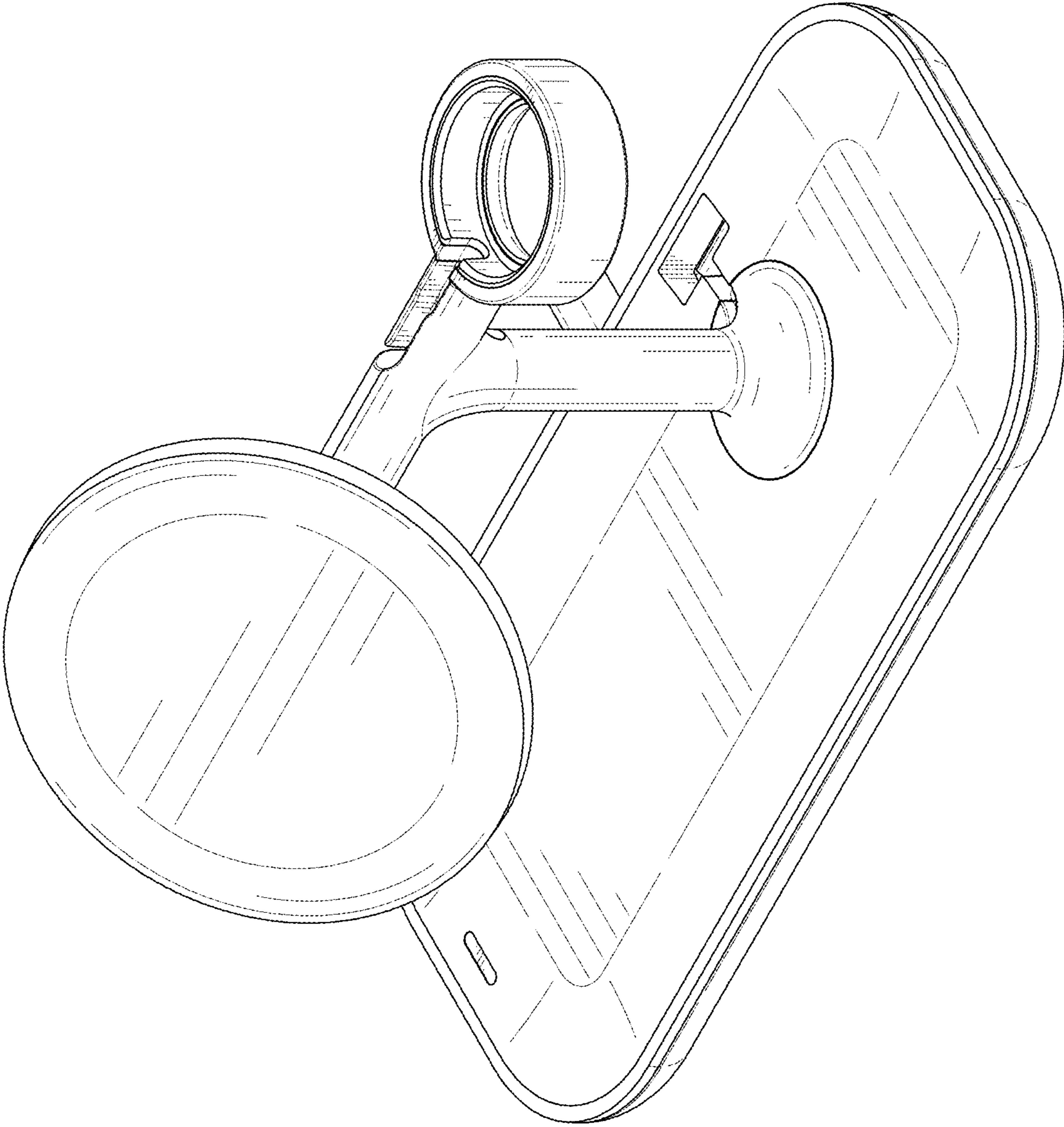


FIG. 1

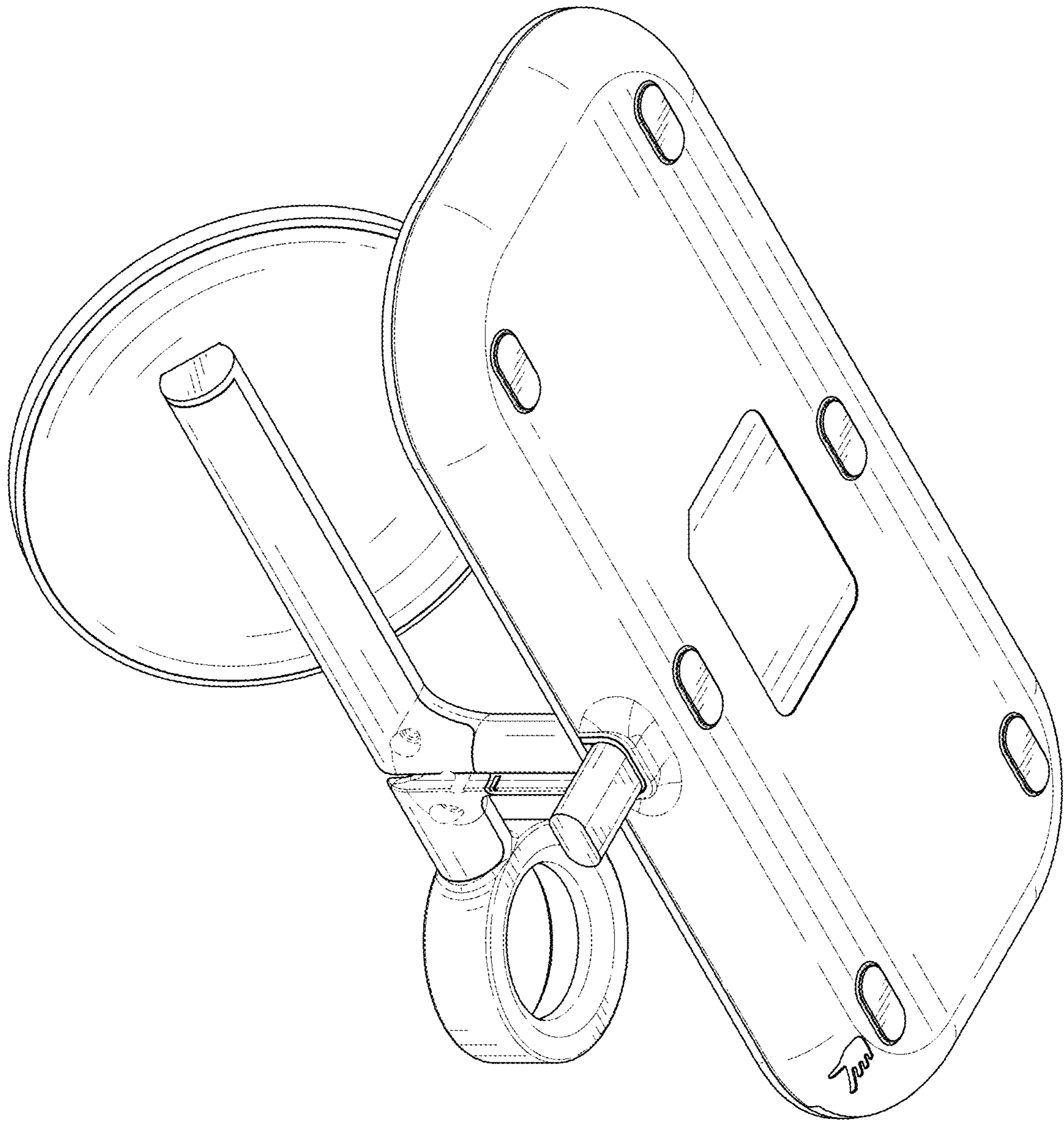


FIG. 2

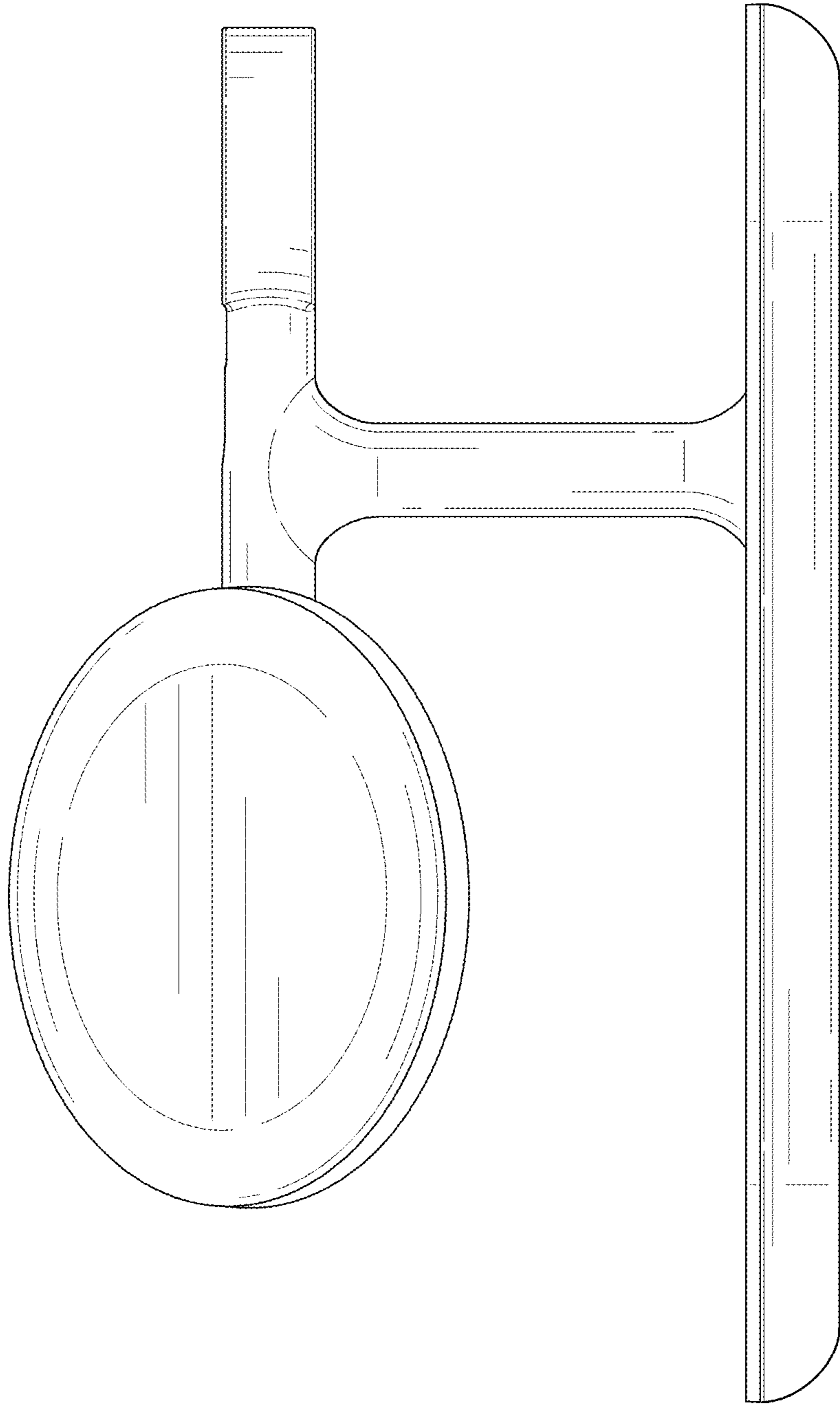


FIG. 3

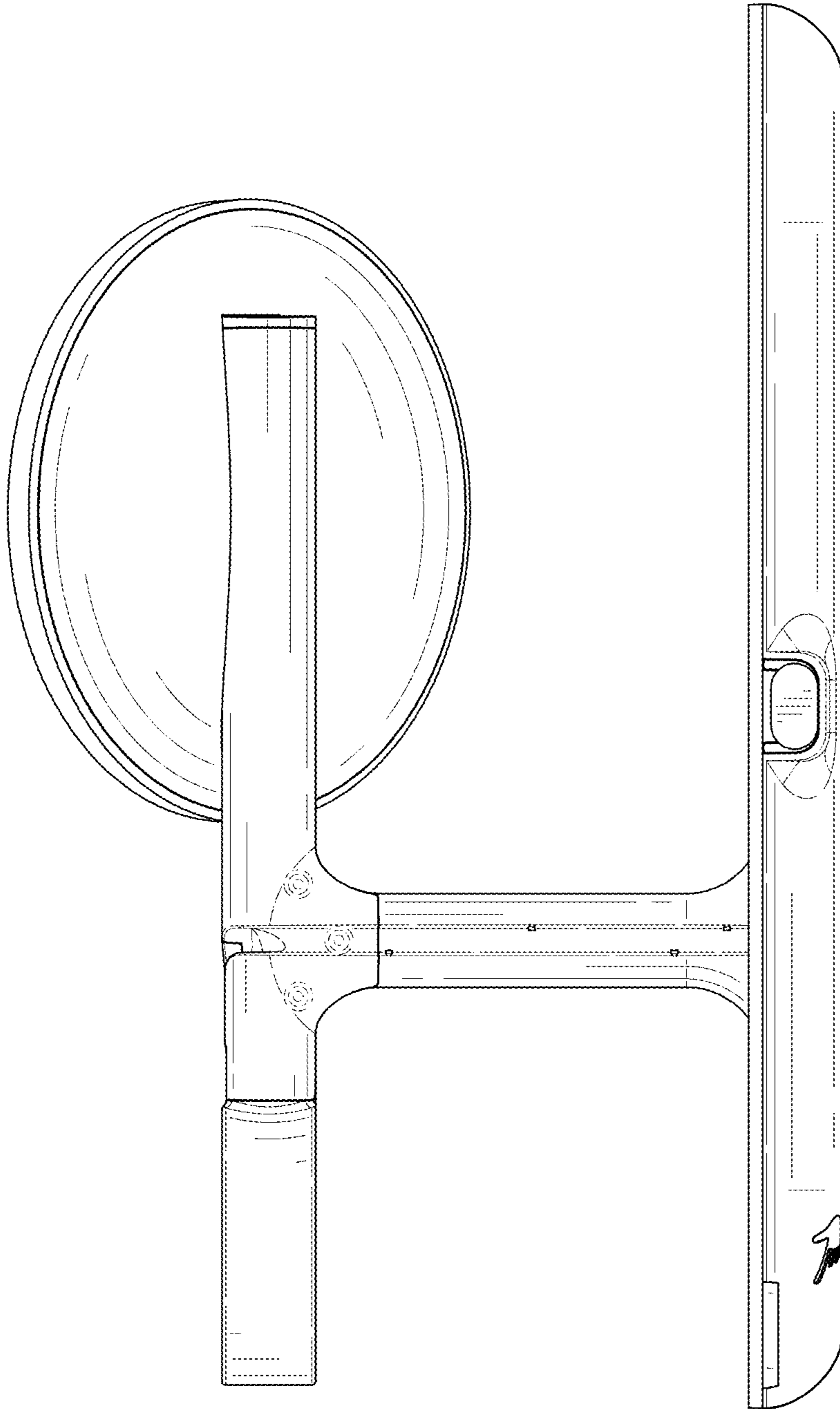


FIG. 4

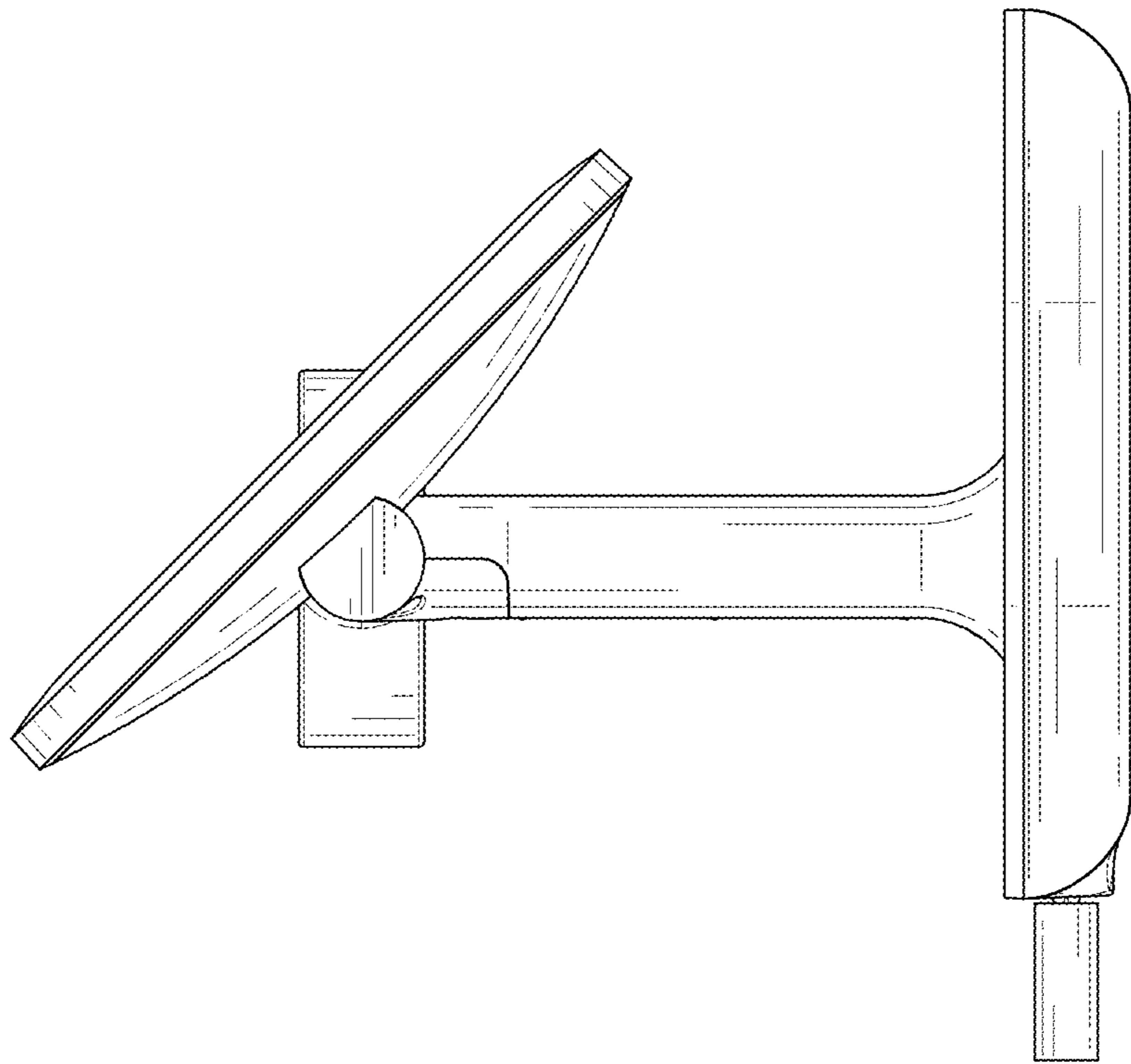


FIG. 5

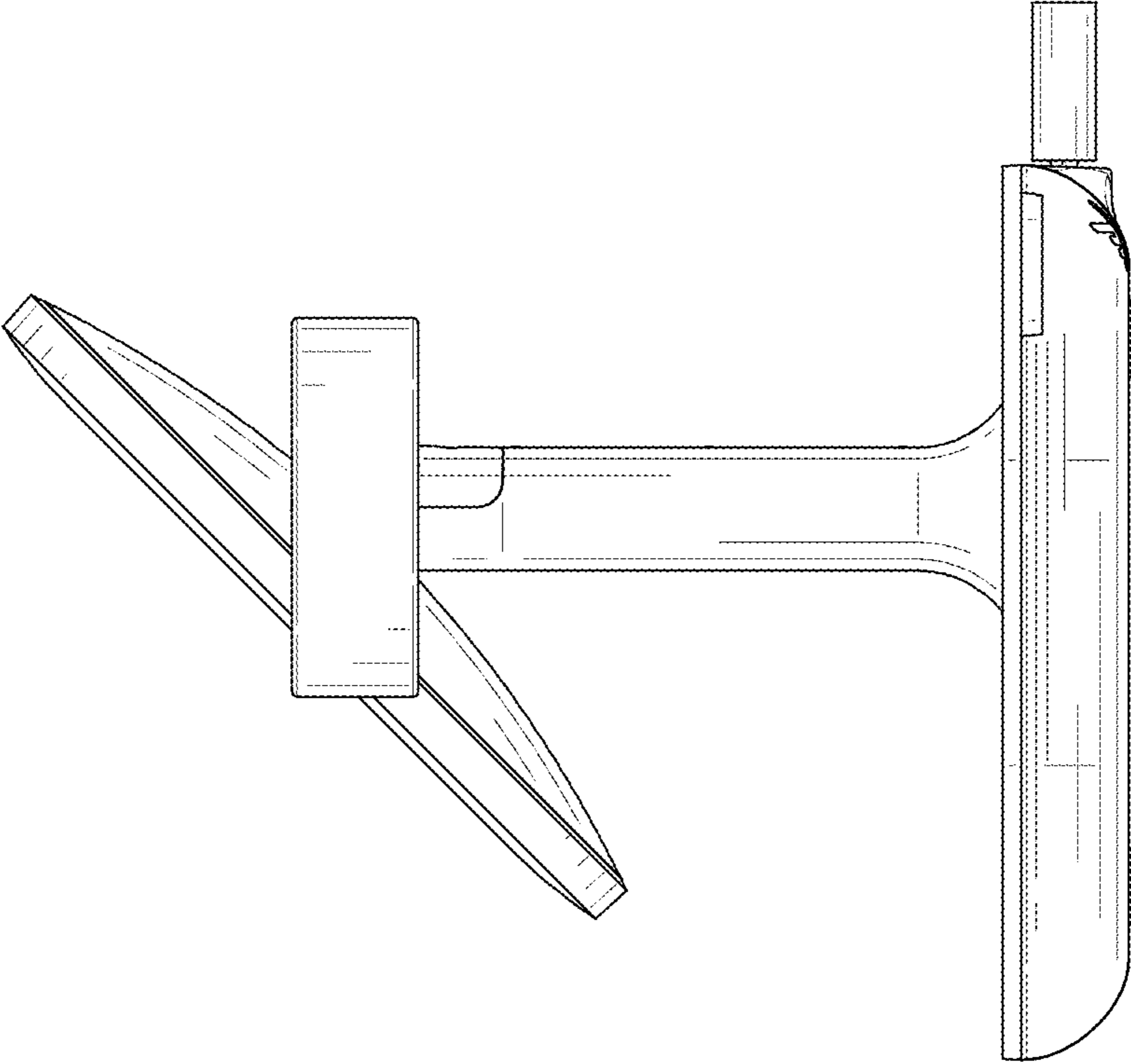


FIG. 6

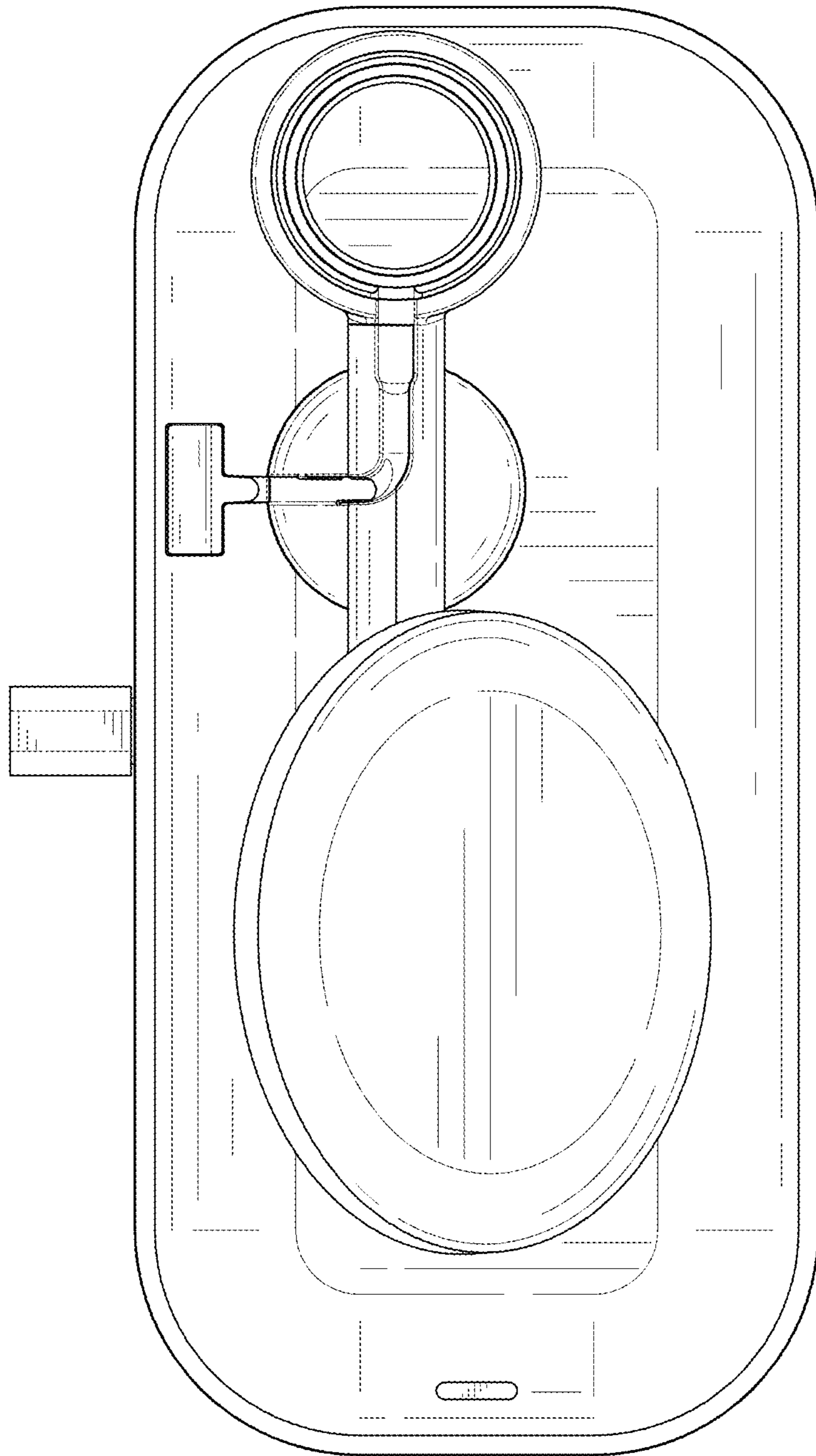


FIG. 7

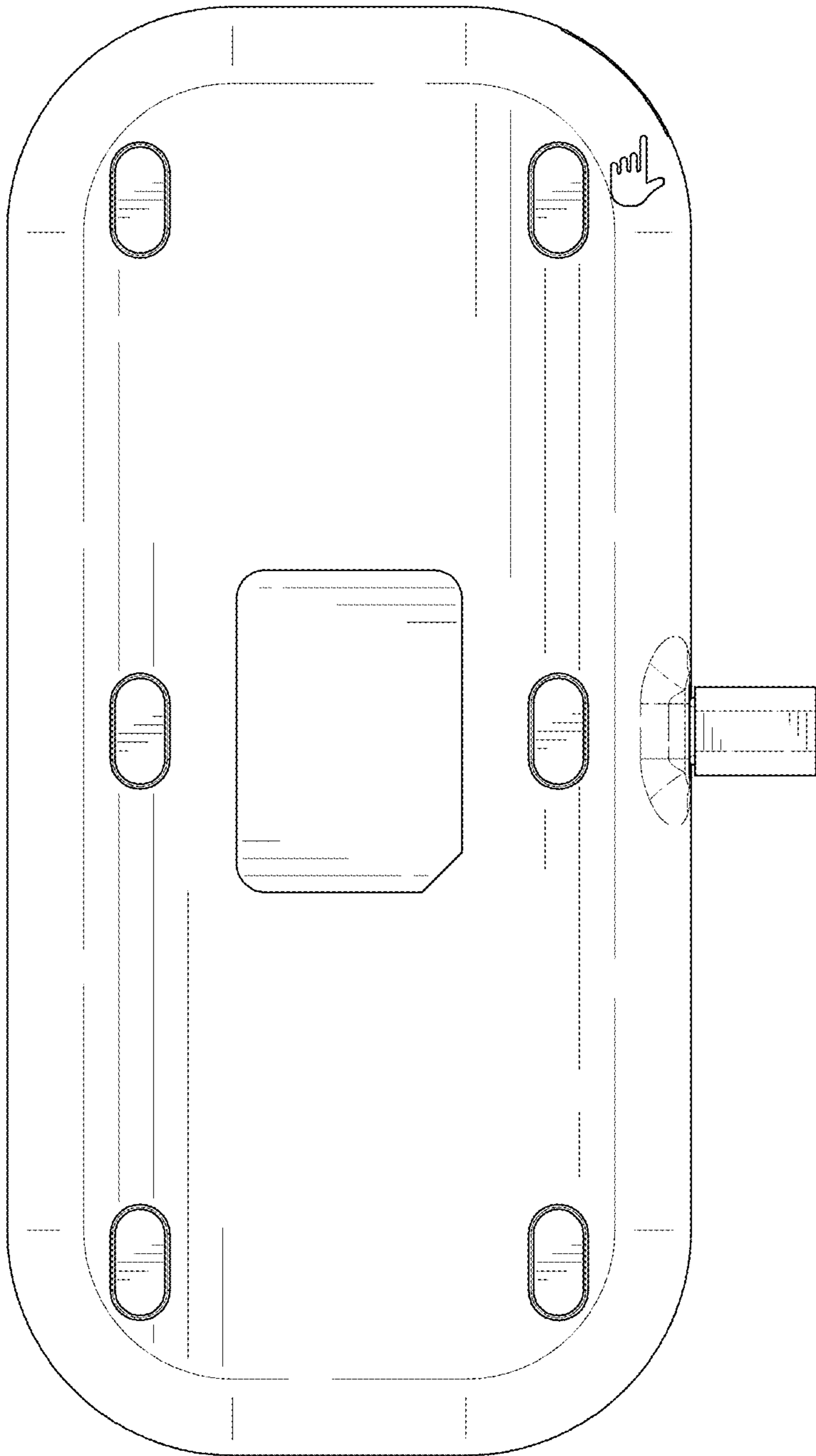


FIG. 8