



US00D975634S

(12) **United States Design Patent** (10) **Patent No.:** **US D975,634 S**
Ma (45) **Date of Patent:** **** Jan. 17, 2023**

(54) **RECHARGEABLE BATTERY**

(71) Applicant: **Qian Ma**, Henan (CN)

(72) Inventor: **Qian Ma**, Henan (CN)

(**) Term: **15 Years**

(21) Appl. No.: **29/772,558**

(22) Filed: **Mar. 2, 2021**

(51) **LOC (14) Cl.** **13-03**

(52) **U.S. Cl.**
USPC **D13/103**

(58) **Field of Classification Search**

USPC D13/102, 103, 104, 105, 106, 110, 118,
D13/119, 184, 199
CPC .. H01M 10/05; H01M 10/052; H01M 10/054;
H01M 10/425; H01M 10/48; H01M
10/486; H01M 50/249; H01M 2220/30;
H01M 2250/30

See application file for complete search history.

(56) **References Cited**

U.S. PATENT DOCUMENTS

D510,722 S	*	10/2005	Kosiba	D13/103
D639,730 S	*	6/2011	Kawase	D13/103
D938,903 S	*	12/2021	Miyake	D13/103
D941,752 S	*	1/2022	Luo	D13/103
D945,959 S	*	3/2022	Okuda	D13/103
D946,504 S	*	3/2022	Qiu	D13/103
D950,483 S	*	5/2022	Yrad, Jr.	D13/103
D951,860 S	*	5/2022	Forsberg	D13/103
D951,862 S	*	5/2022	Xia	D13/103
D952,552 S	*	5/2022	Forsberg	D13/103
D952,554 S	*	5/2022	Xu	D13/103
D953,253 S	*	5/2022	Cestonaro	D13/103
D953,258 S	*	5/2022	Ye	D13/103

OTHER PUBLICATIONS

Rechargeable Batteries. (Design—© Questel) orbit.com. [Online PDF compilation of references selected by examiner] 56 pgs. Print

Dates Range Mar. 23, 2021-Oct. 17, 2017 [Retrieved Jun. 10, 2022].*

GreenWorks 40V G Max Battery. Sep. 21, 2018. Amazon. https://www.amazon.com/Energup-2500mAh-Replacement-Lithium-GreenWorks/dp/B07HK7185X/ref=asc_df_B07HK7185X/?tag=hyprod-20&linkCode=df0&hvadid=309832851244&hvpos=&hvnetw=g&hvrnd=16426602107418691504&hvpone=&hvptwo=&hvqmt=&hvdev=c&hvdvcmld=&hvlocint=&hvlocphy=90597.*

Powerextra 18-Volt Lithium Ion Battery. Mar. 25, 2019. Amazon. https://www.amazon.com/dp/B07Q27DPX3?ref=myi_title_dp.*

Black + Decker Nickel Cadmium Power Tool Battery. Before May 22, 2011. Lowe's. <https://www.lowes.com/pd/BLACK-DECKER-18-Volt-1-5-Amp-Hour-Nickel-Cadmium-NiCd-Power-Tool-Battery/3117015>.*

* cited by examiner

Primary Examiner — George D. Kirschbaum

Assistant Examiner — Suzanne E Tisdell

(57) **CLAIM**

The ornamental design for a rechargeable battery, as shown.

DESCRIPTION

FIG. 1 is a front elevational view of a rechargeable battery showing my new design;

FIG. 2 is a rear elevational view thereof;

FIG. 3 is a left side view thereof;

FIG. 4 is a right side view thereof;

FIG. 5 is a top plan view thereof;

FIG. 6 is a bottom plan view thereof;

FIG. 7 is a perspective view thereof;

FIG. 8 is second perspective view thereof;

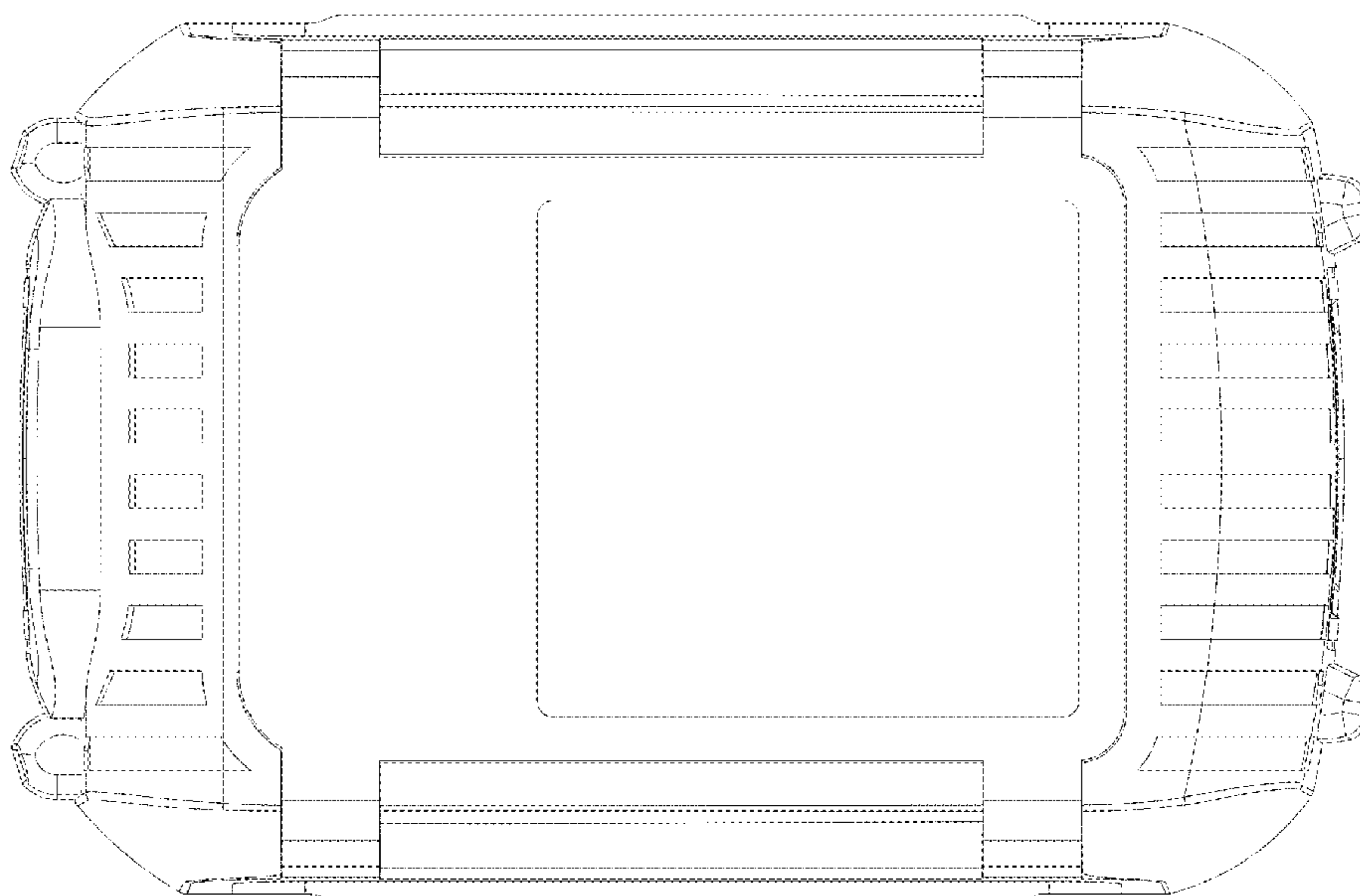
FIG. 9 is third perspective view thereof;

FIG. 10 is fourth perspective view thereof;

FIG. 11 is fifth perspective view thereof; and,

FIG. 12 is sixth perspective view thereof.

1 Claim, 12 Drawing Sheets



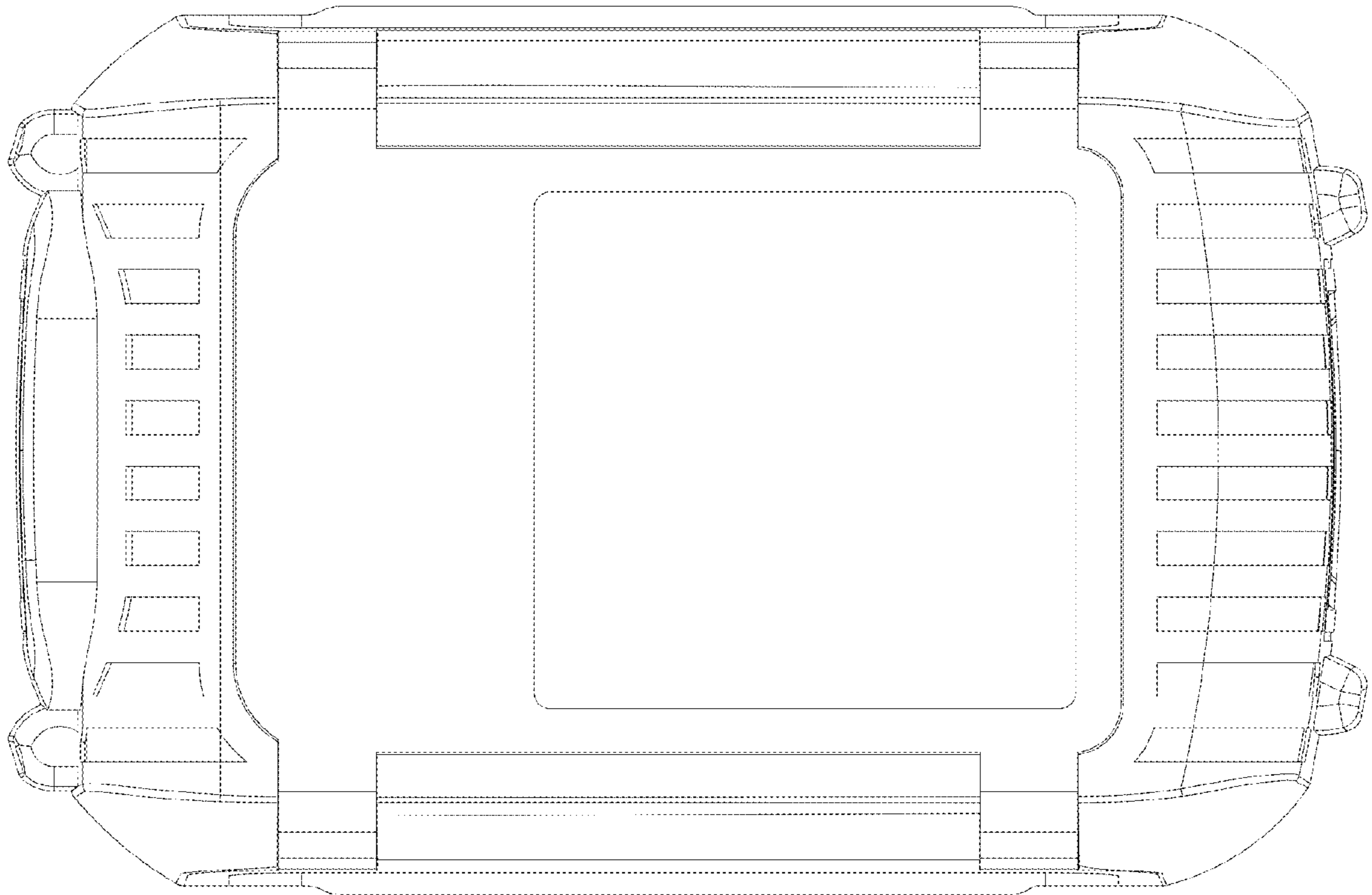


FIG. 1

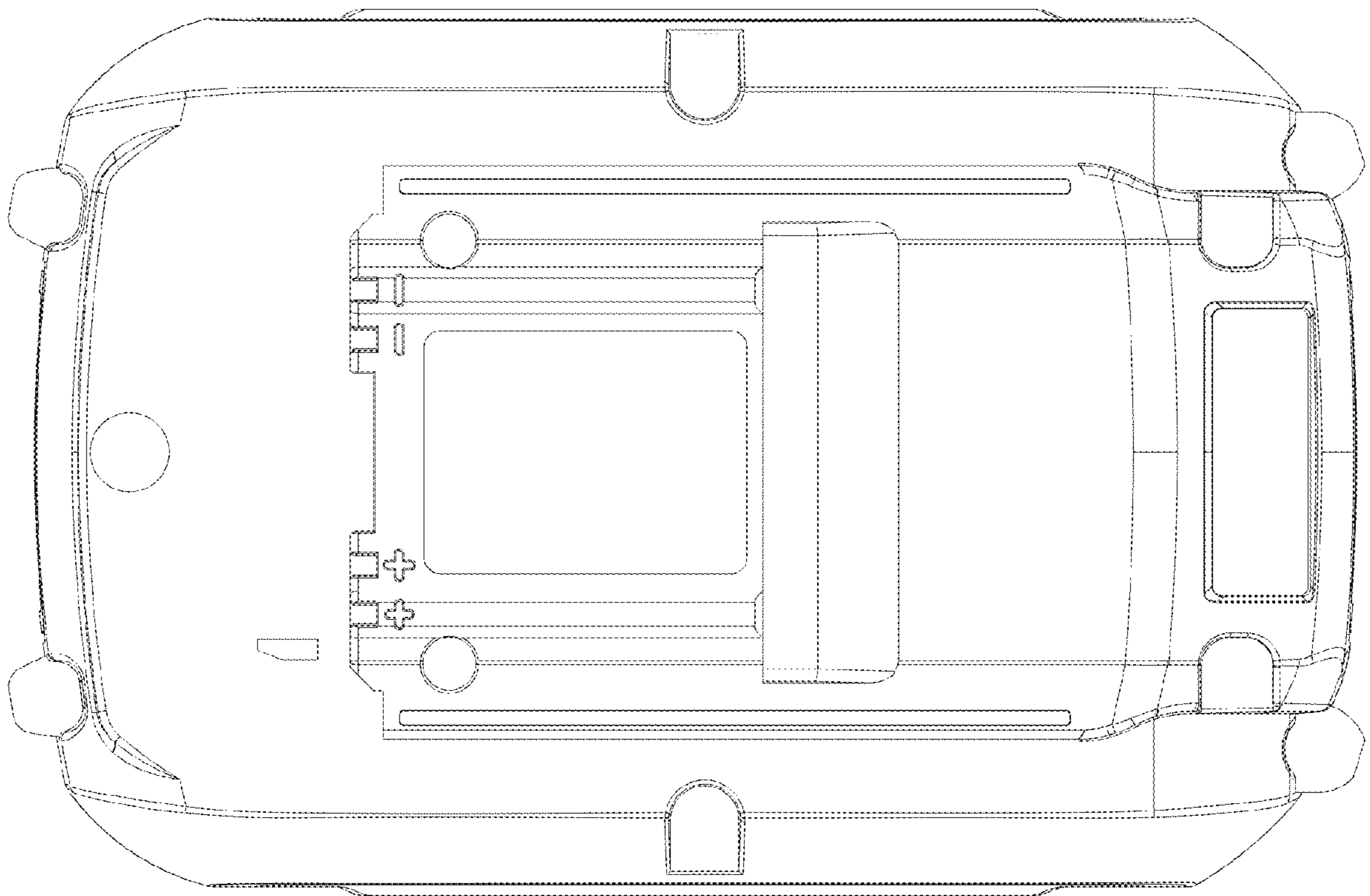


FIG. 2

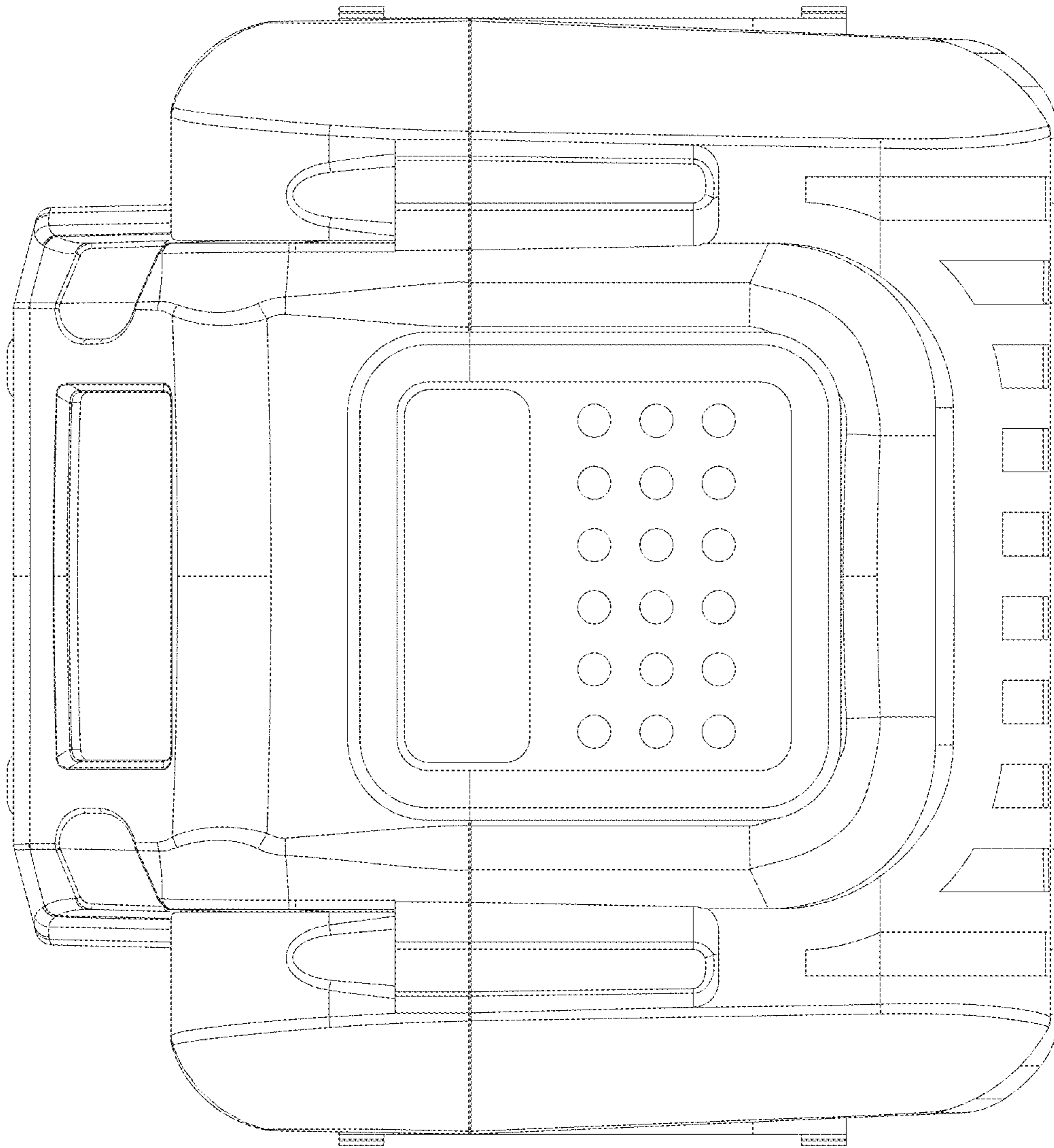


FIG. 3

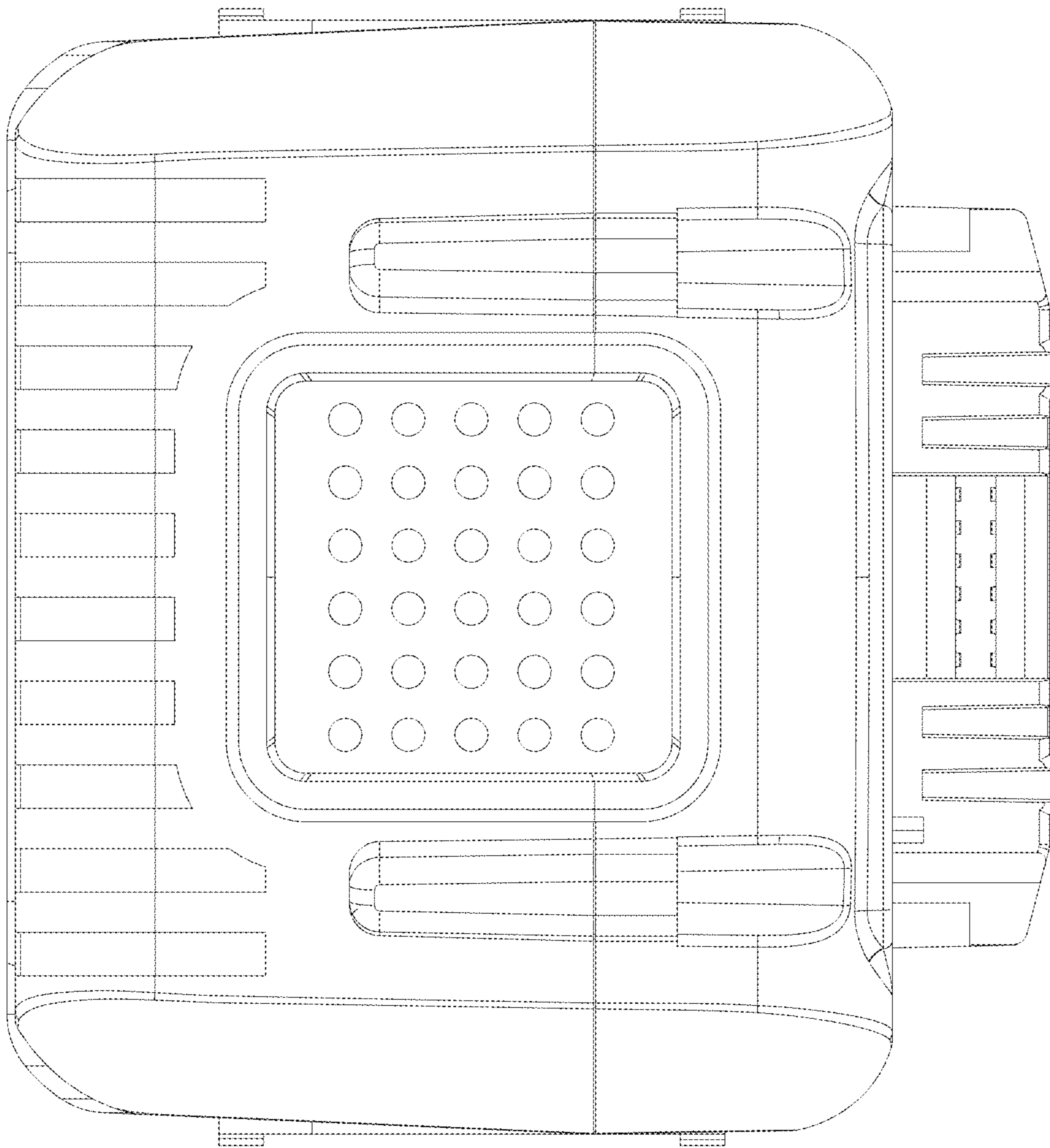


FIG. 4

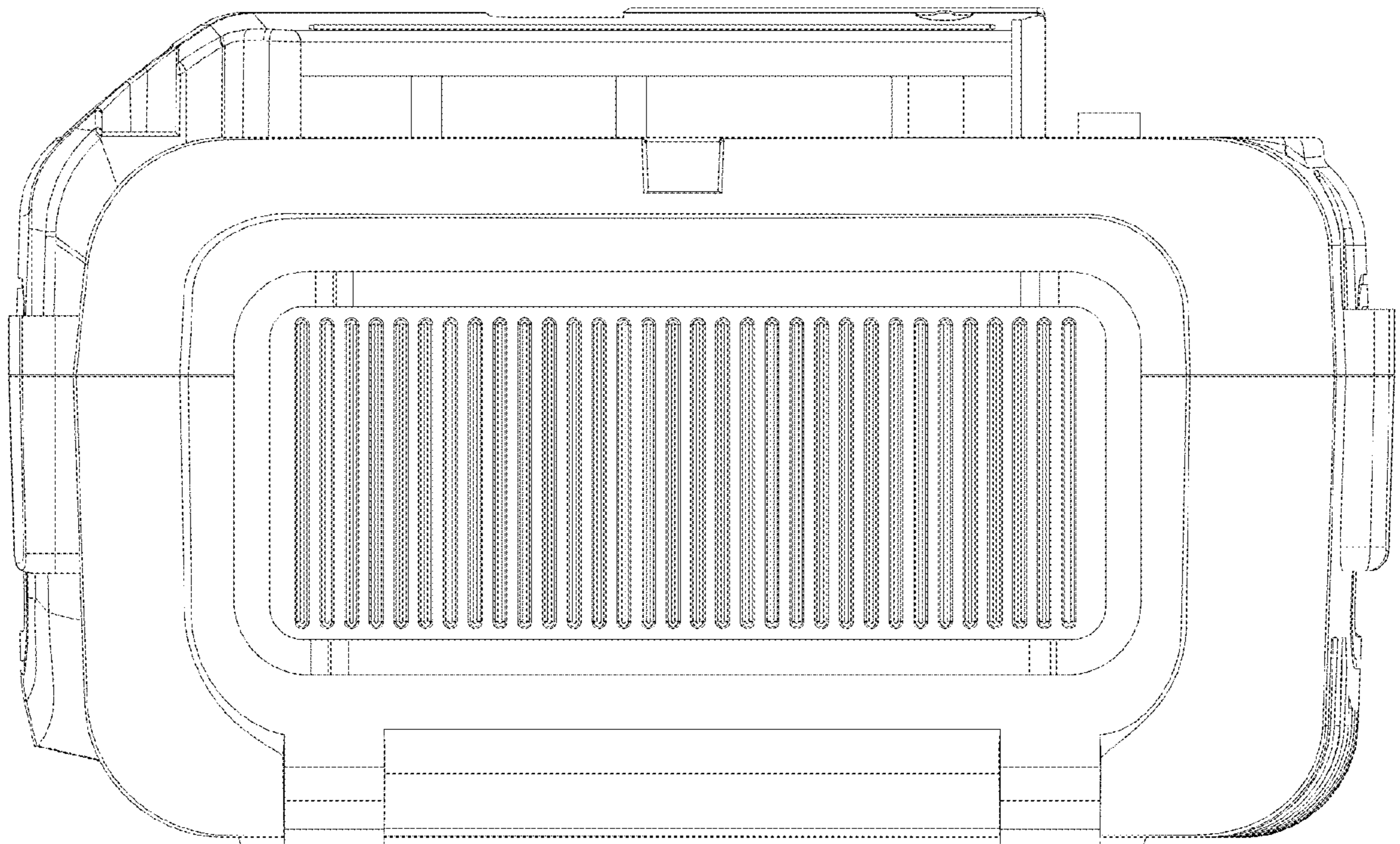


FIG. 5

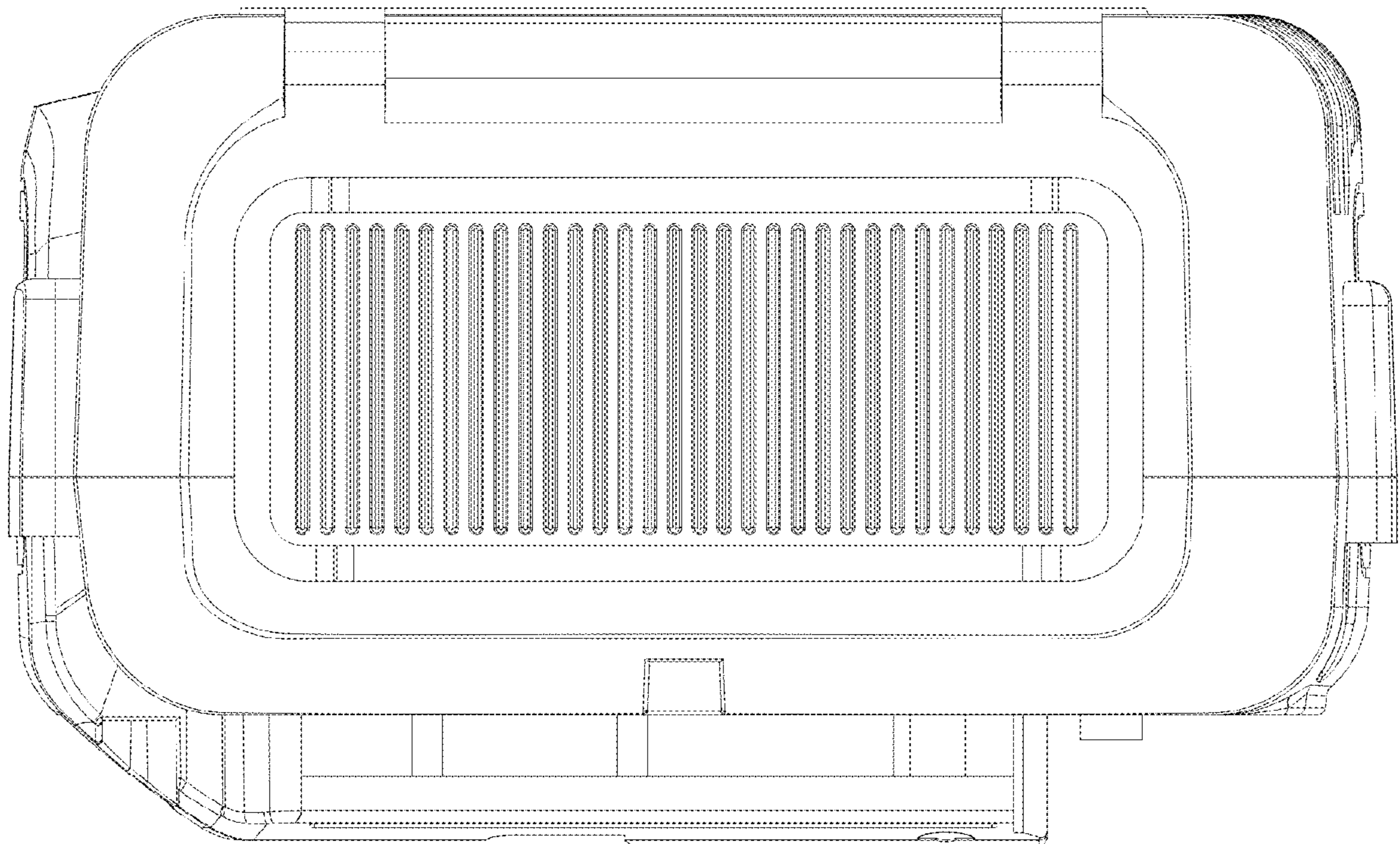


FIG. 6

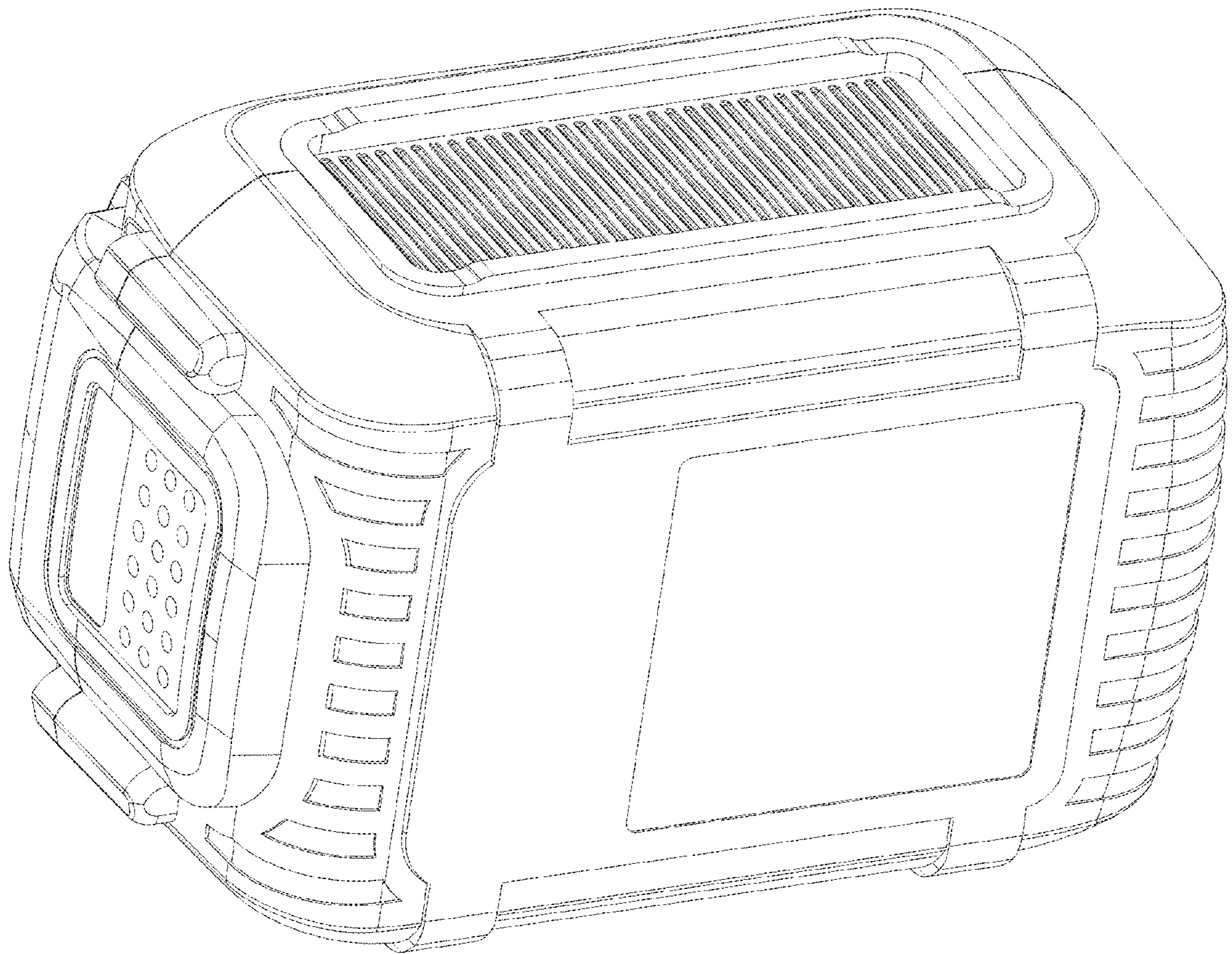


FIG. 7

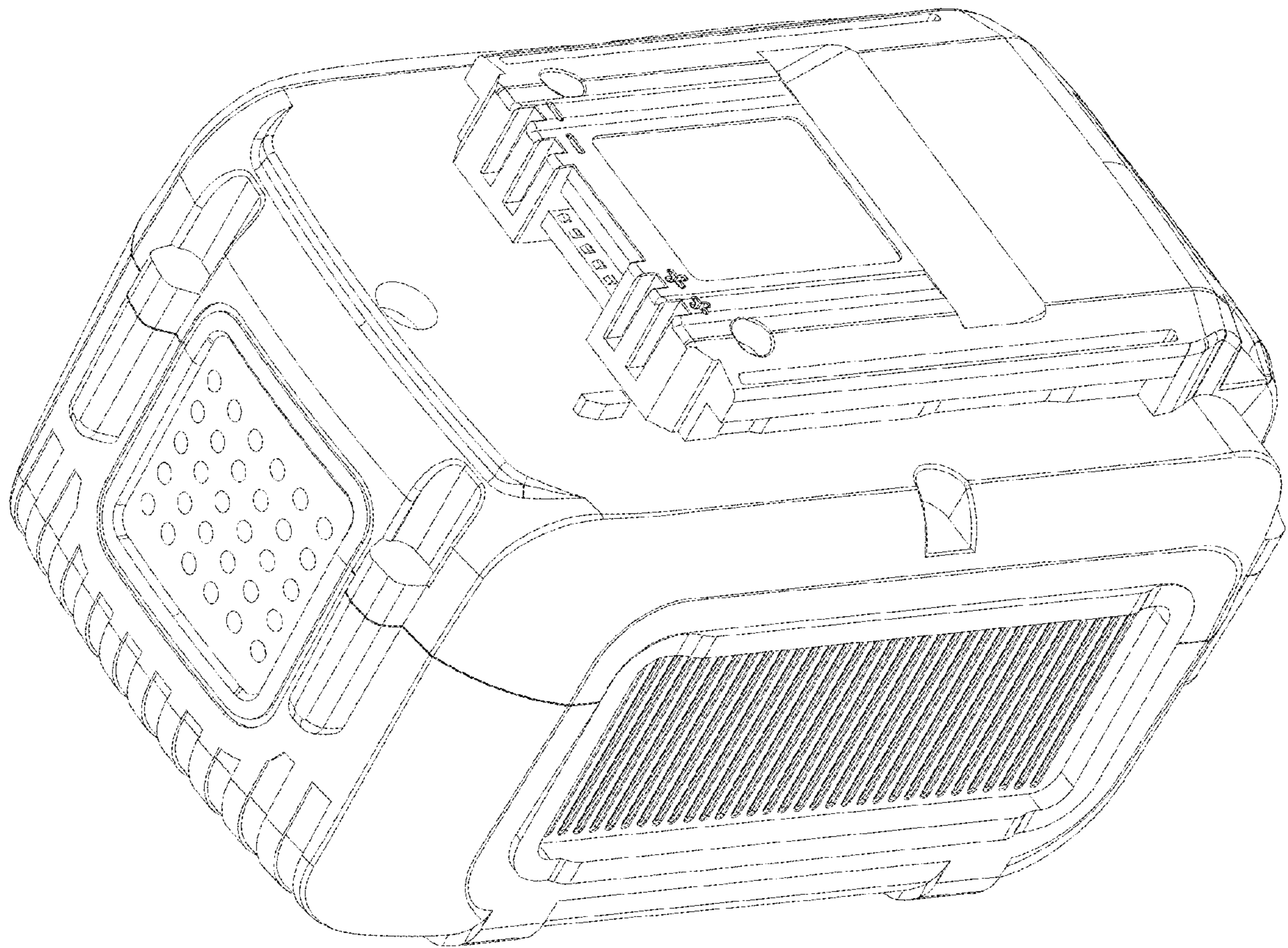


FIG. 8

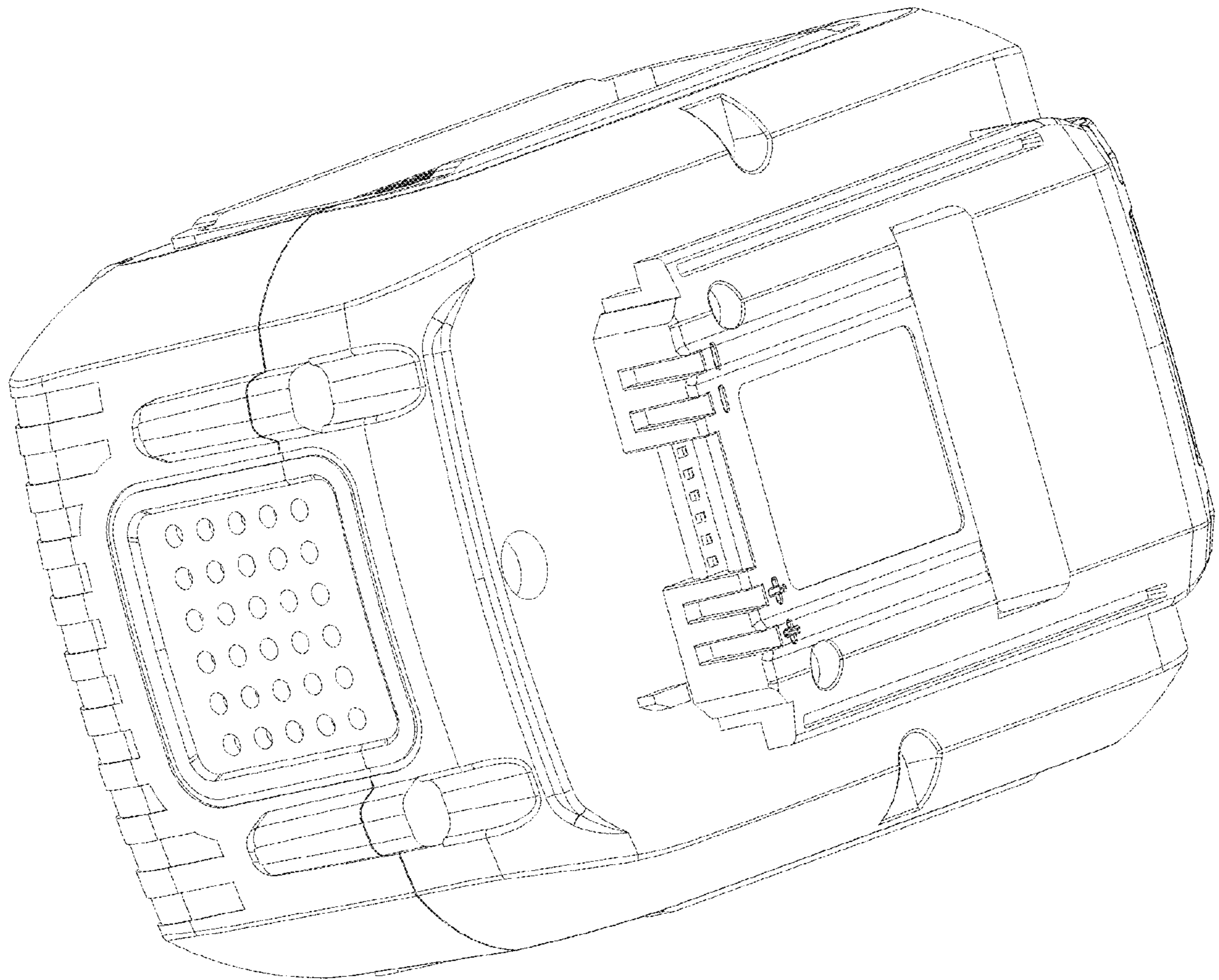


FIG. 9

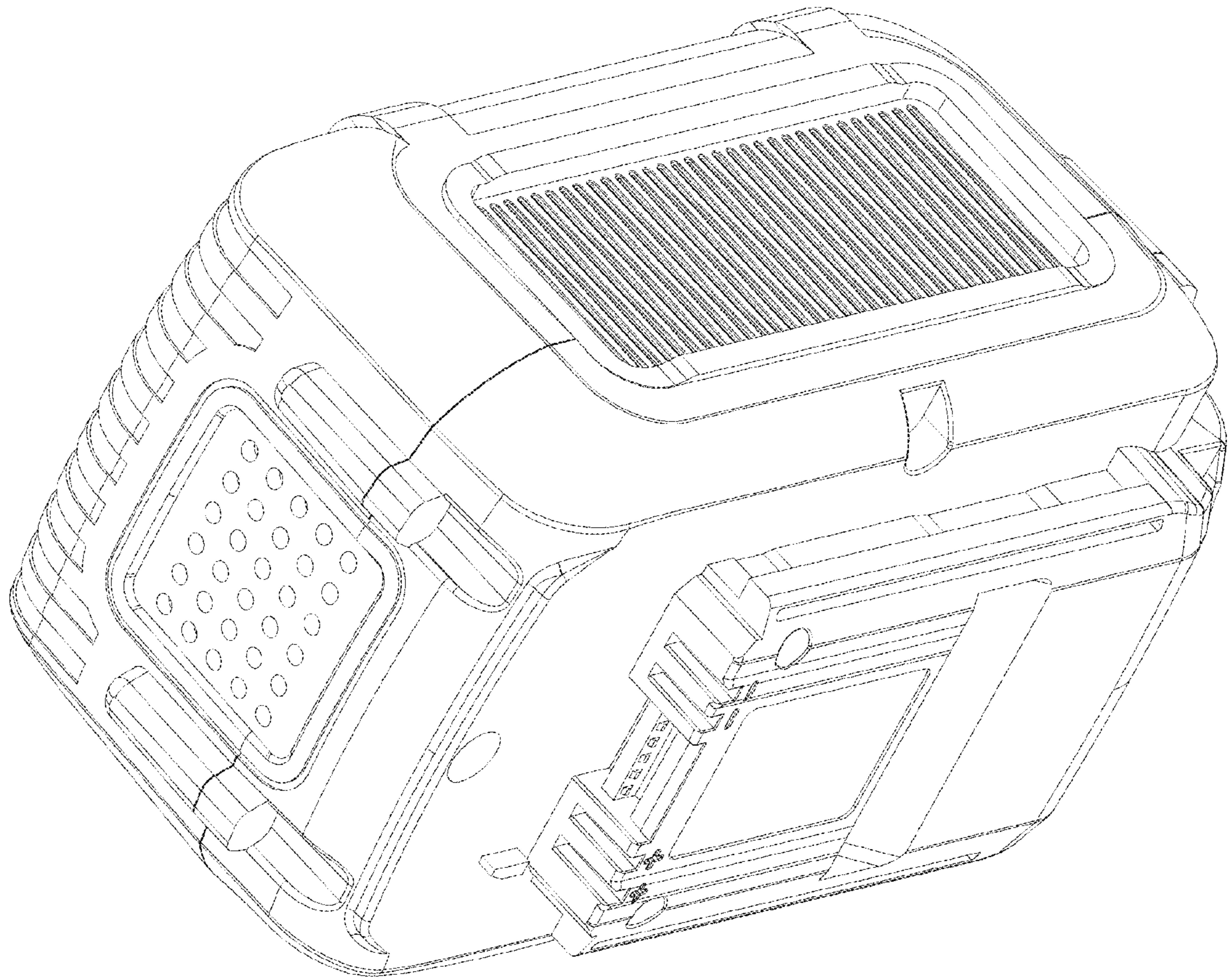


FIG. 10

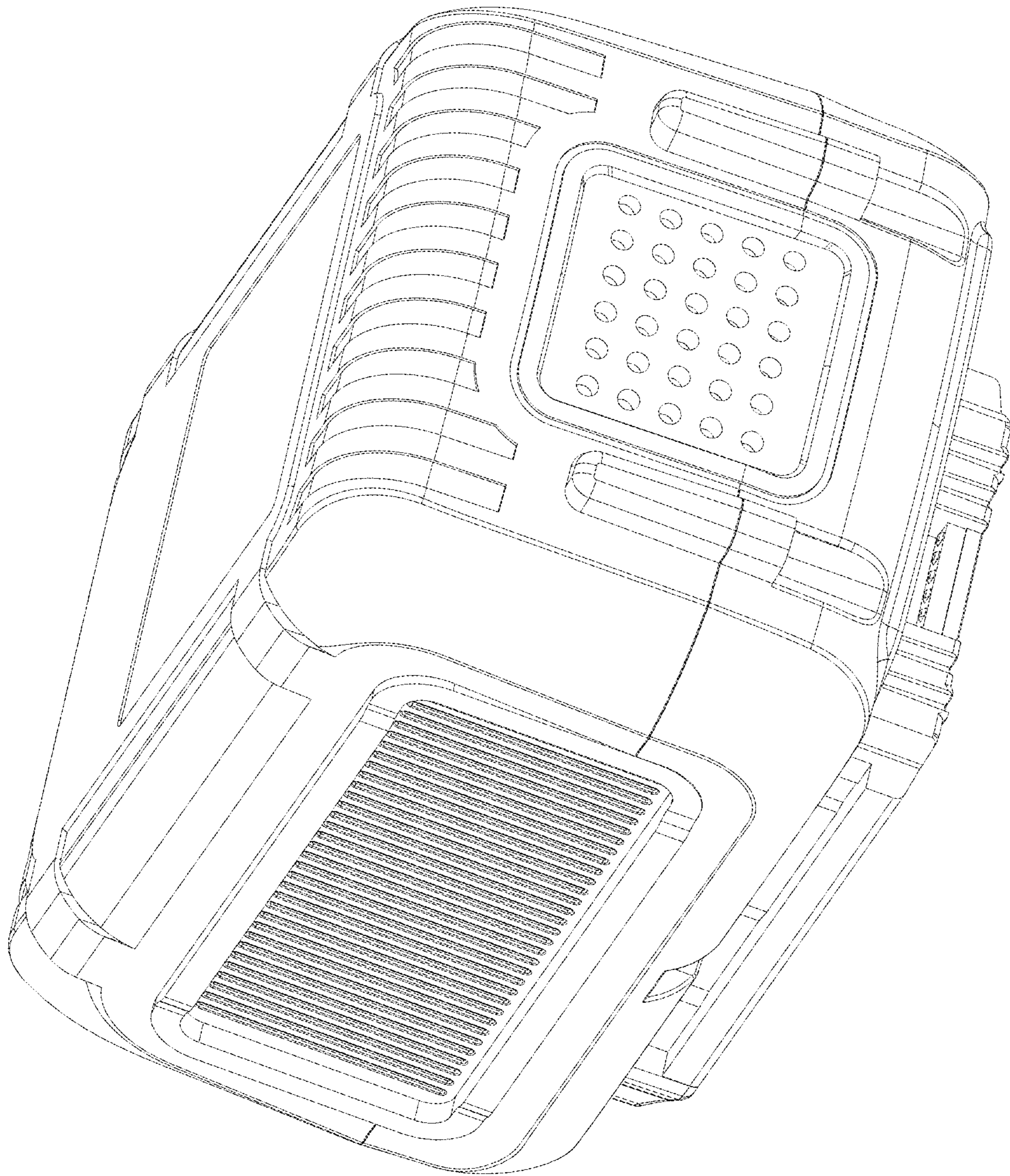


FIG. 11

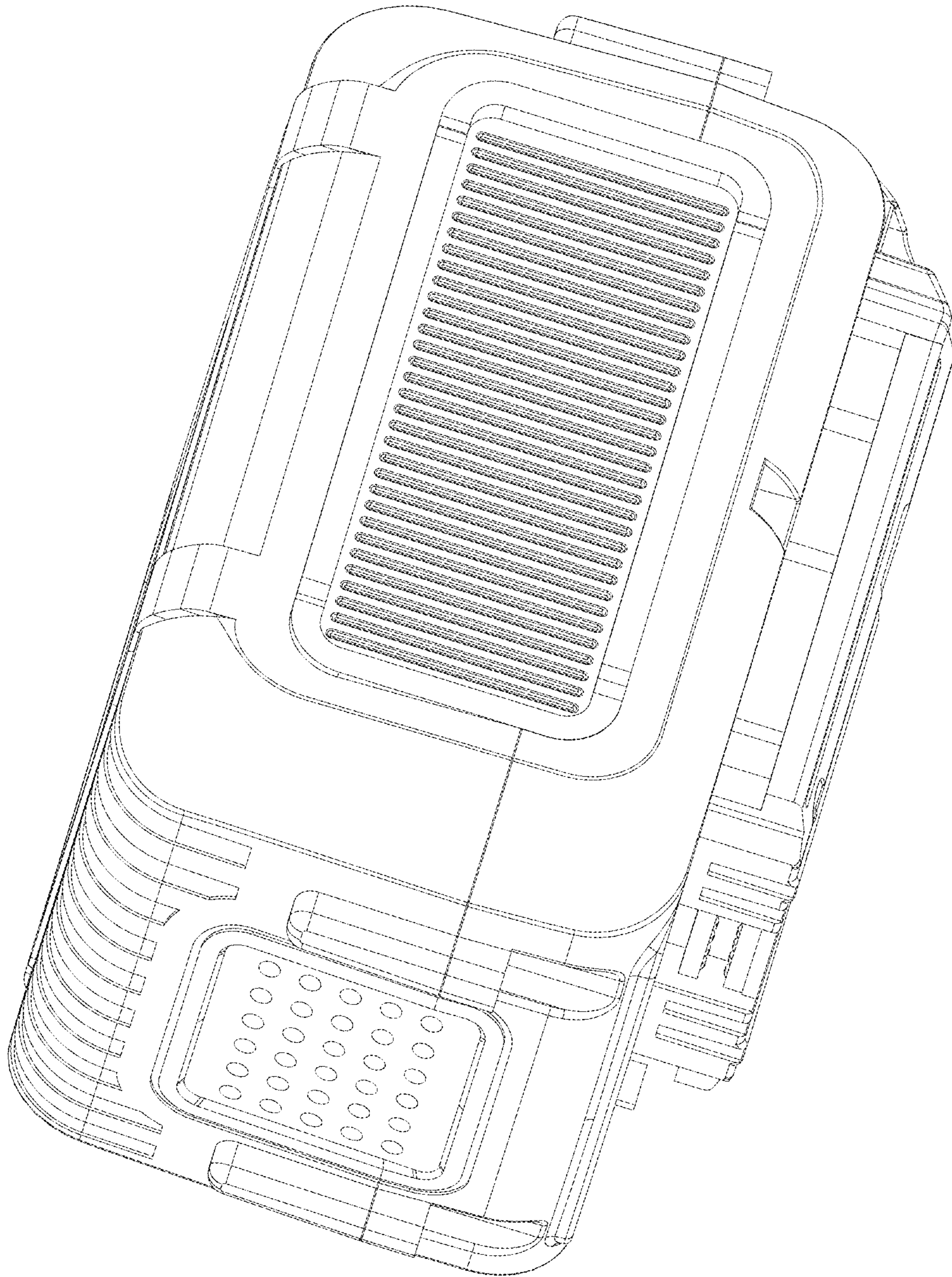


FIG. 12