



US00D975633S

(12) **United States Design Patent**
Chen

(10) **Patent No.:** **US D975,633 S**
(45) **Date of Patent:** **** Jan. 17, 2023**

- (54) **RECHARGEABLE BATTERY**
- (71) Applicant: **Huiyu Chen**, Guangdong (CN)
- (72) Inventor: **Huiyu Chen**, Guangdong (CN)
- (**) Term: **15 Years**
- (21) Appl. No.: **29/772,424**
- (22) Filed: **Mar. 1, 2021**
- (51) **LOC (14) Cl.** **13-03**
- (52) **U.S. Cl.**
USPC **D13/103**
- (58) **Field of Classification Search**
USPC D13/102, 103, 104, 105, 106, 110, 118,
D13/119, 184, 199
CPC .. H01M 10/05; H01M 10/052; H01M 10/054;
H01M 10/425; H01M 10/48; H01M
10/486; H01M 50/249; H01M 2220/30;
H01M 2250/30
See application file for complete search history.

(56) **References Cited**

U.S. PATENT DOCUMENTS

D510,722 S	*	10/2005	Kosiba	D13/103
D639,730 S	*	6/2011	Kawase	D13/103
D938,903 S	*	12/2021	Miyake	D13/103
D941,752 S	*	1/2022	Luo	D13/103
D945,959 S	*	3/2022	Okuda	D13/103
D946,504 S	*	3/2022	Qiu	D13/103
D950,483 S	*	5/2022	Yrad, Jr.	D13/103
D951,860 S	*	5/2022	Forsberg	D13/103
D951,862 S	*	5/2022	Xia	D13/103
D952,552 S	*	5/2022	Forsberg	D13/103
D952,554 S	*	5/2022	Xu	D13/103
D953,253 S	*	5/2022	Cestonaro	D13/103
D953,258 S	*	5/2022	Ye	D13/103

OTHER PUBLICATIONS

Rechargeable Batteries. (Design—© Questel) orbit.com. [Online PDF compilation of references] 56 pgs. Print Dates Range Mar. 23, 2021-Oct. 17, 2017 [Retrieved Jun. 10, 2022].*

DeWalt 20 Volt Max XR 6AH Lithium Ion. Before Sep. 25, 2021. Walmart. https://www.walmart.com/ip/1-2-4Pack-For-DeWalt-20-Volt-Max-XR-6-0AH-Lithium-Ion-Premium-Battery/951642219?athcpid=951642219&athpgid=AthenaItempage&athcgid=null&athzid=siext&athieid=v0&athstid=CS004&athguid=-zjxQiTC1uZ4osS9UoLHFfi3PqA5sUa-h7EL&a.*

Greenworks 40 Volt 4 Ah Rechargeable Lithium Ion. Before May 14, 2016. Lowe's. https://www.lowes.com/pd/Greenworks-40-Volt-4-Ah-Rechargeable-Lithium-Ion-Li-Ion-Cordless-Power-Equipment-Battery/50041382?cm_mmc=shp-_c-_prd-_sol-_ggl-_PLA_SOL_146_Riders-Powersports-Chore-_50041382-_online-_0-_0&gclid=EAlaIqo.*

DeWalt 20 Volt Lithium-Ion Power Tool Battery. 2018. MSC Direct. https://www.mscdirect.com/product/details/32237760#target4.*

* cited by examiner

Primary Examiner — George D. Kirschbaum
Assistant Examiner — Suzanne E Tisdell

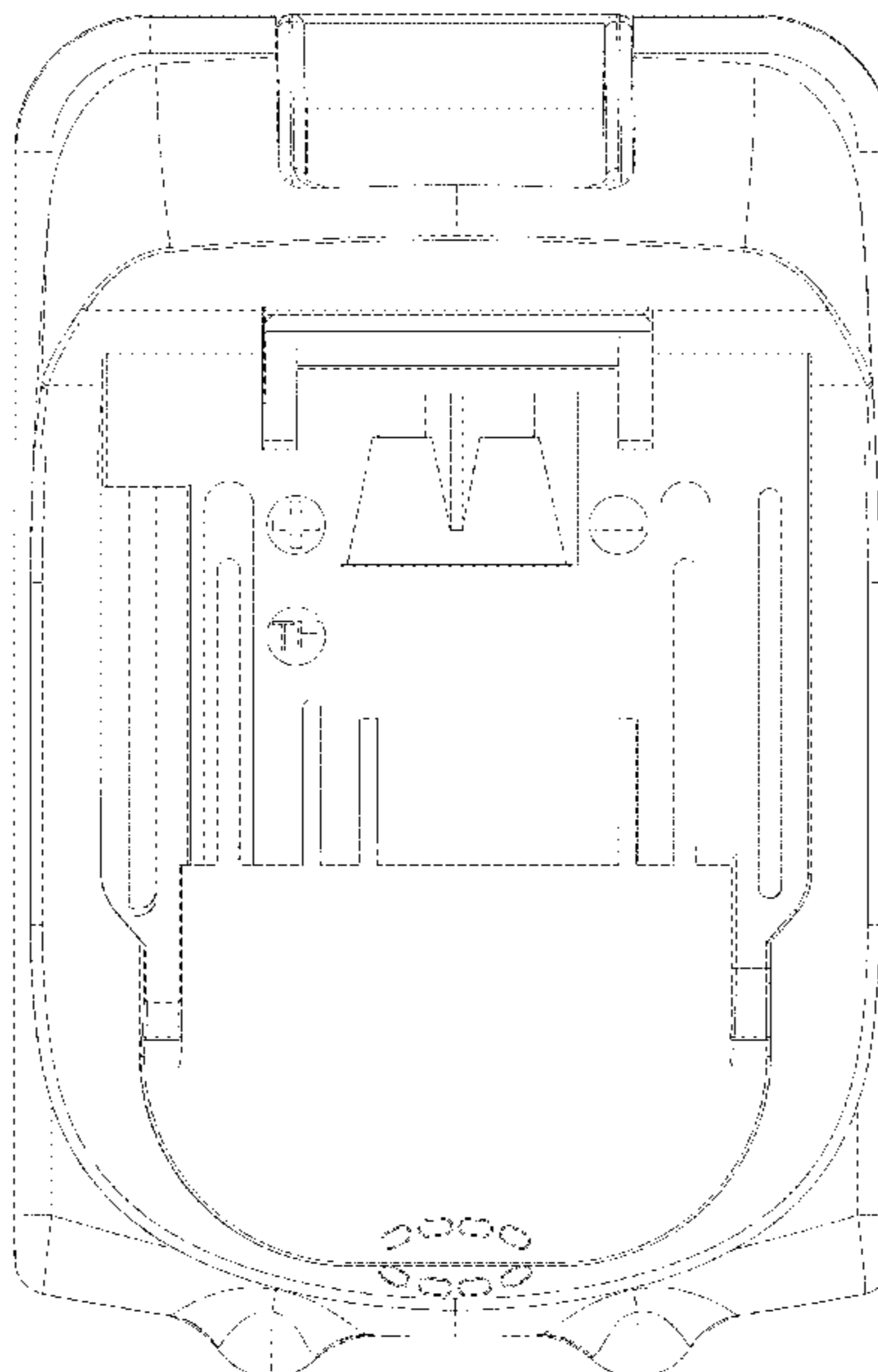
(57) **CLAIM**

The ornamental design for a rechargeable battery, as shown.

DESCRIPTION

FIG. 1 is a front elevational view of a rechargeable battery showing my new design;
 FIG. 2 is a rear elevational view thereof;
 FIG. 3 is a left side view thereof;
 FIG. 4 is a right side view thereof;
 FIG. 5 is a top plan view thereof;
 FIG. 6 is a bottom plan view thereof;
 FIG. 7 is a perspective view thereof;
 FIG. 8 is second perspective view thereof;
 FIG. 9 is third perspective view thereof; and,
 FIG. 10 is fourth perspective view thereof.

1 Claim, 10 Drawing Sheets



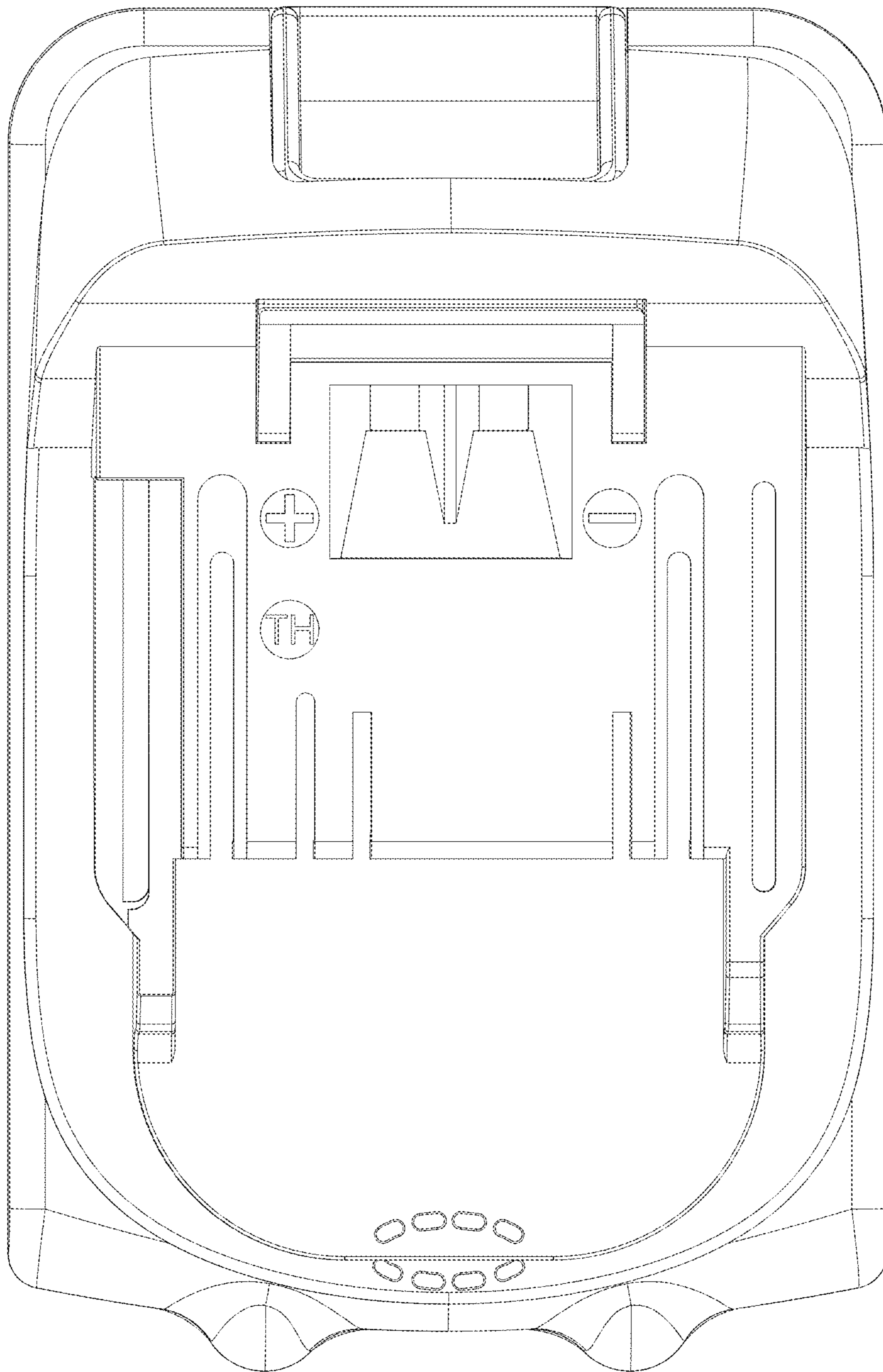


FIG. 1

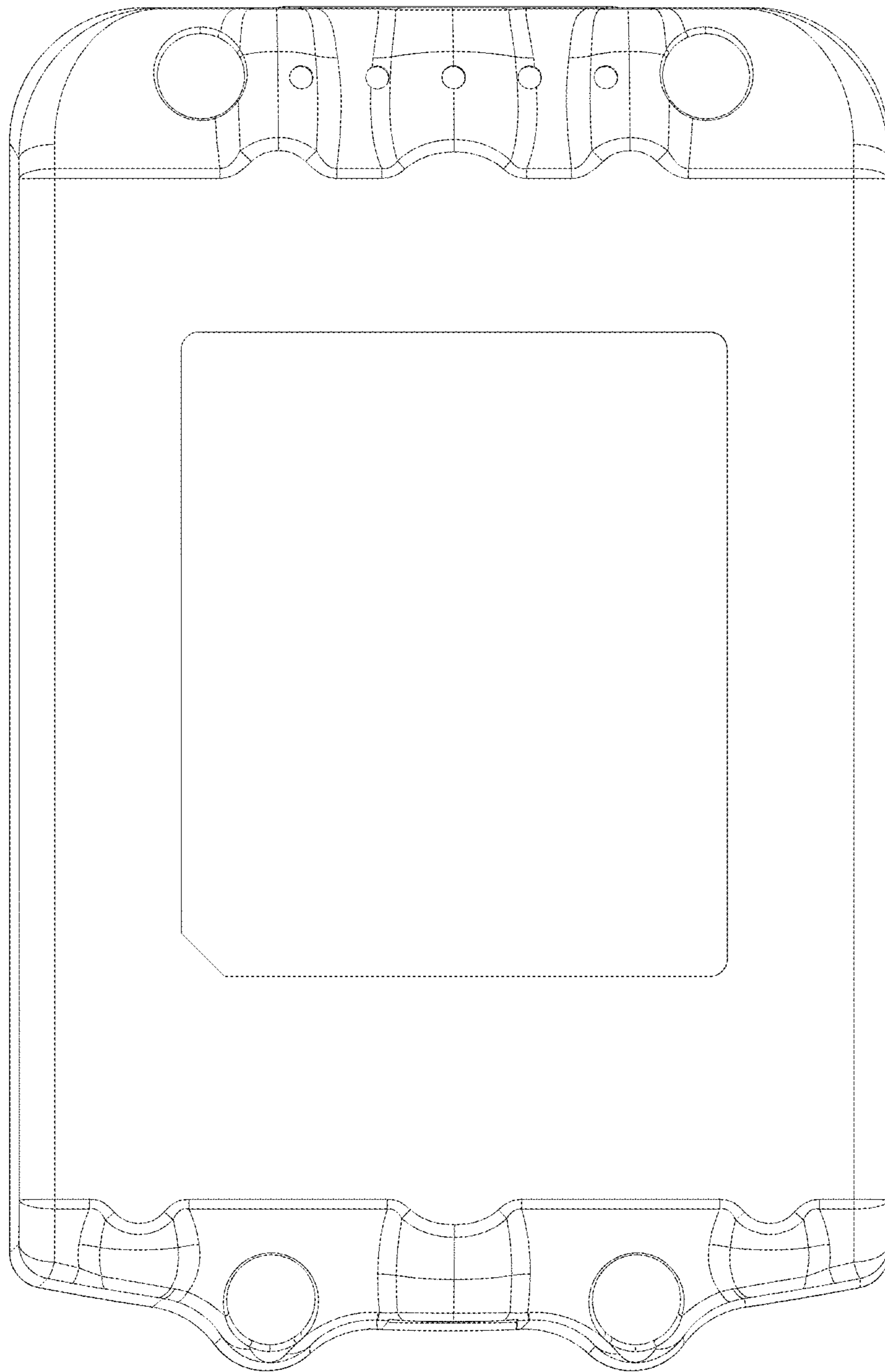


FIG. 2

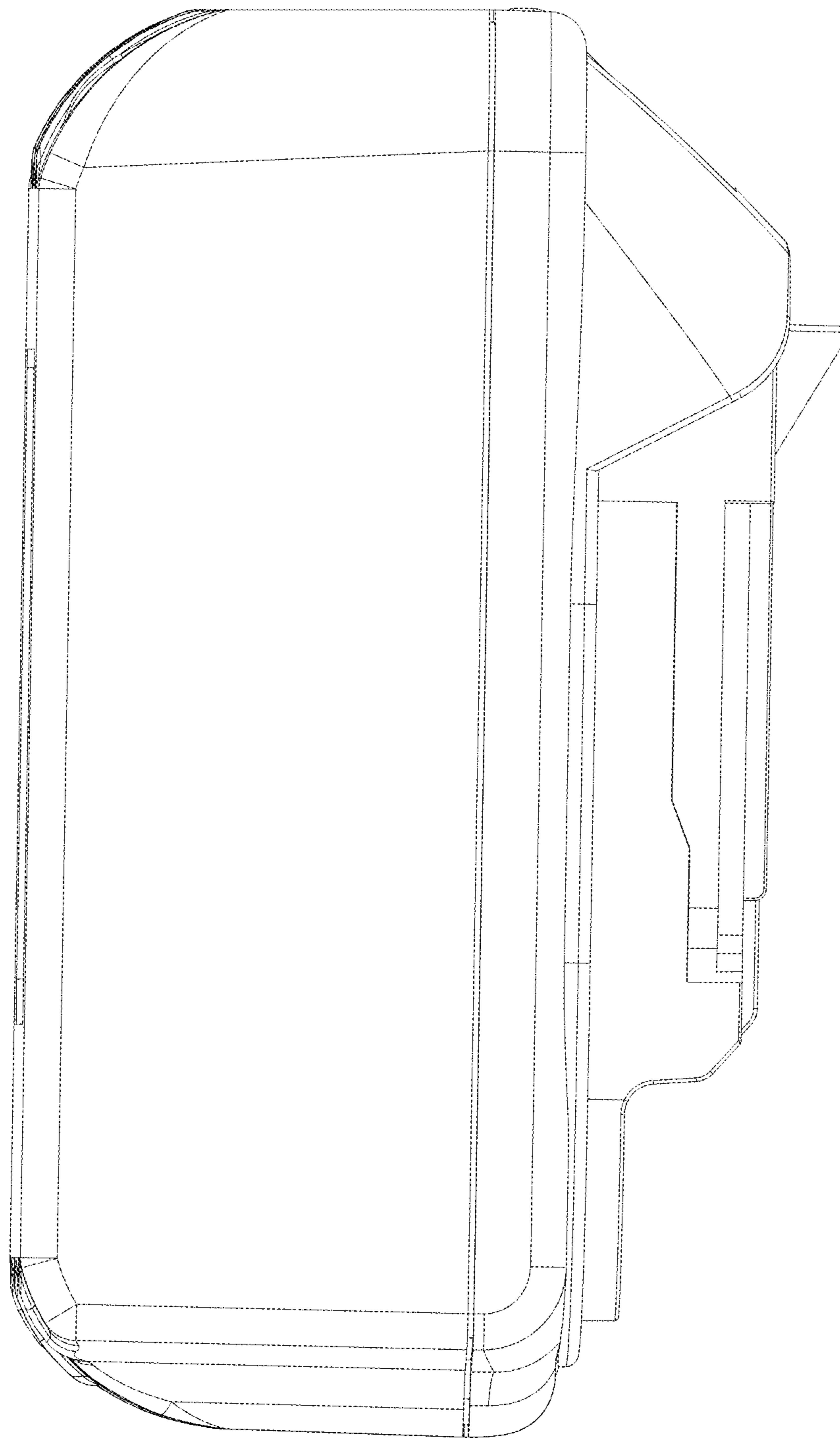


FIG. 3

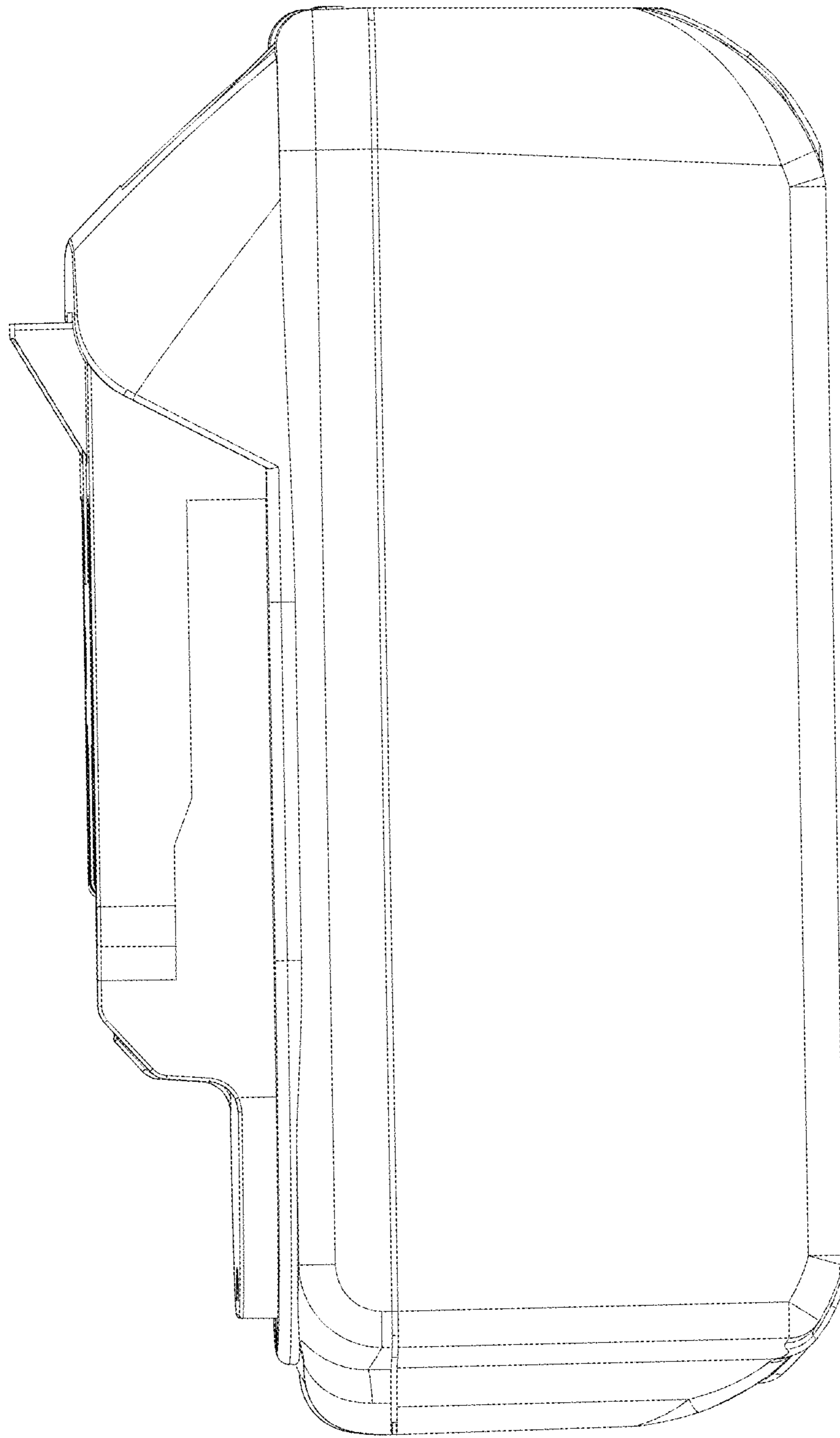


FIG. 4

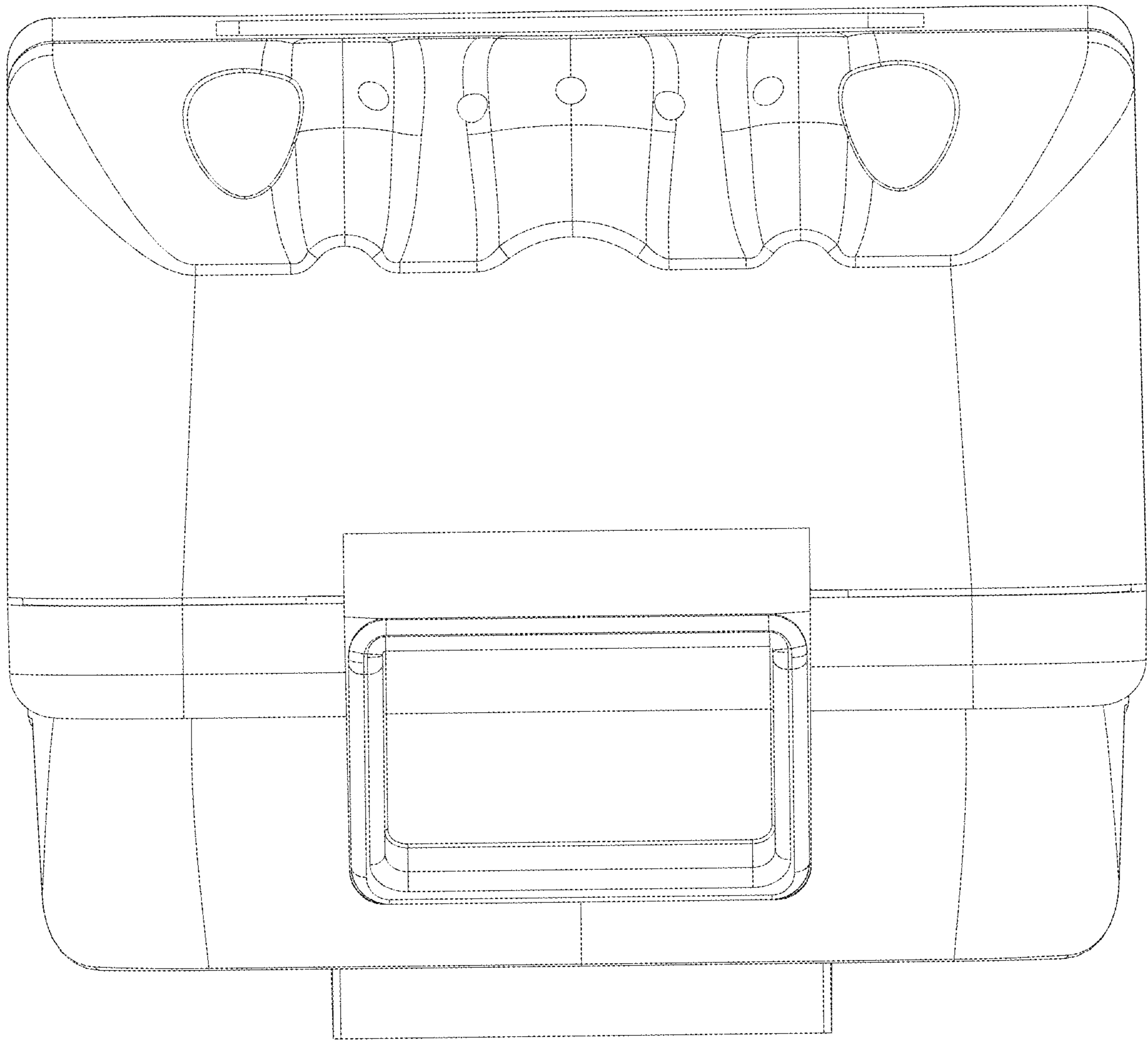


FIG. 5

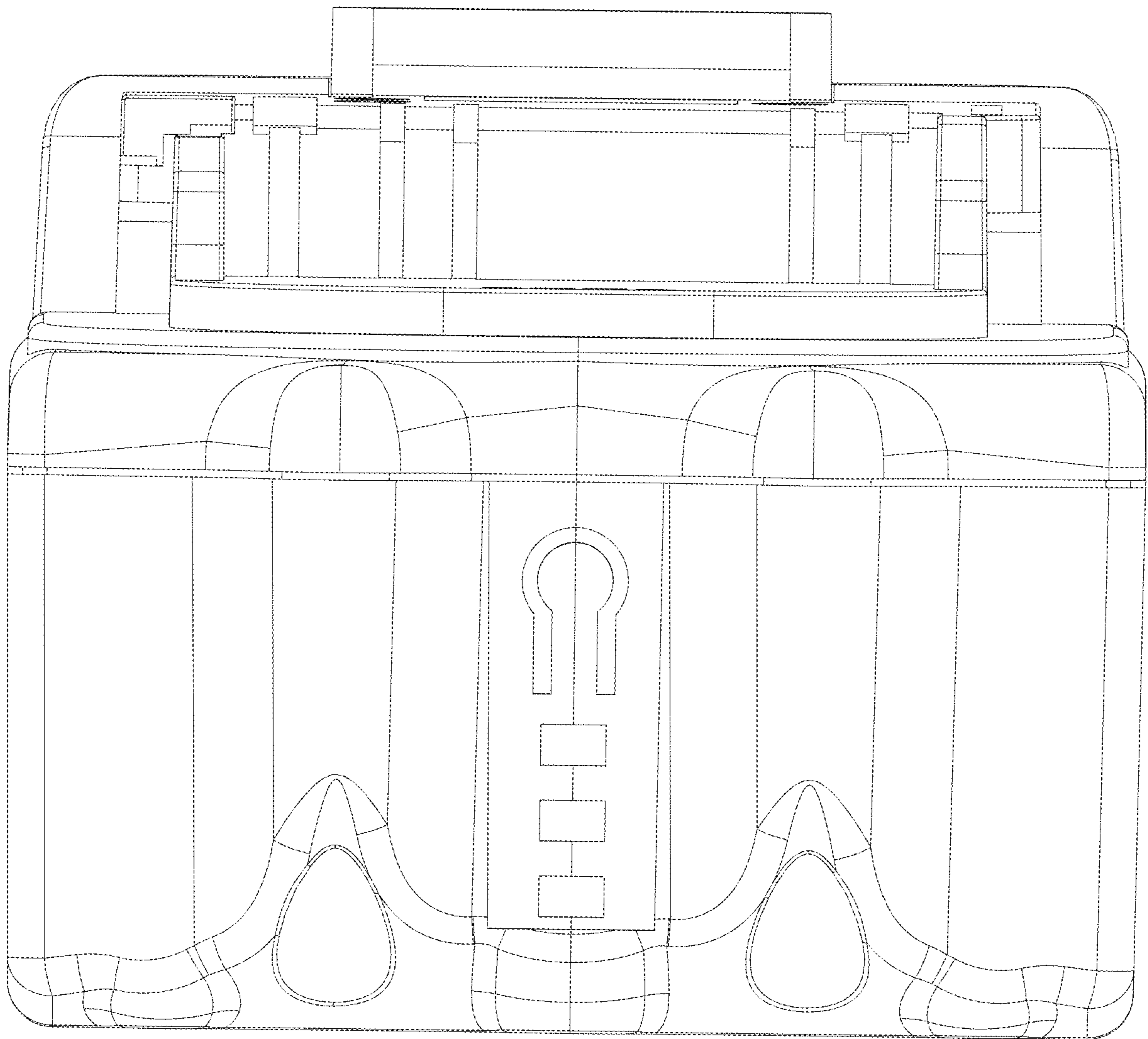


FIG. 6

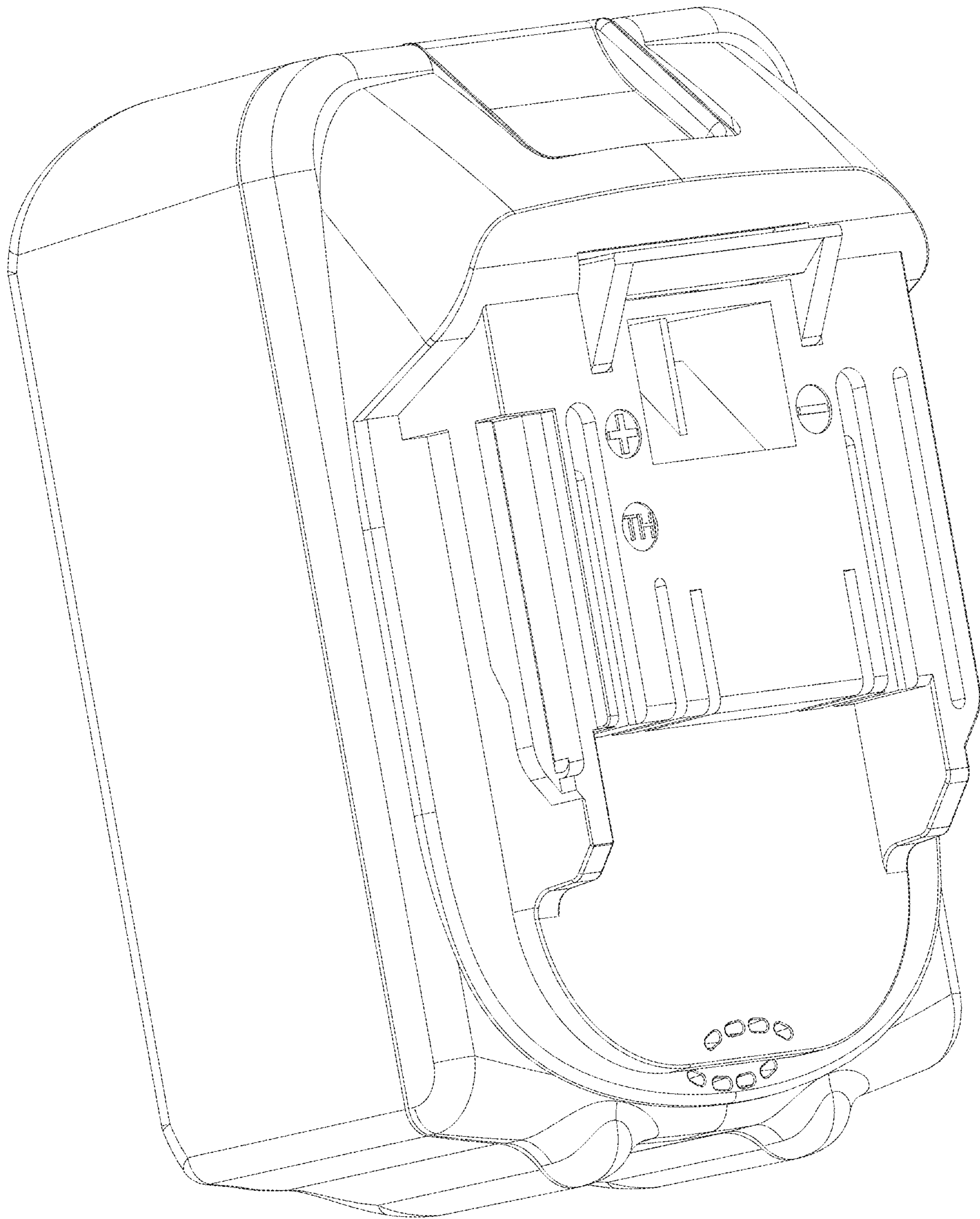


FIG. 7

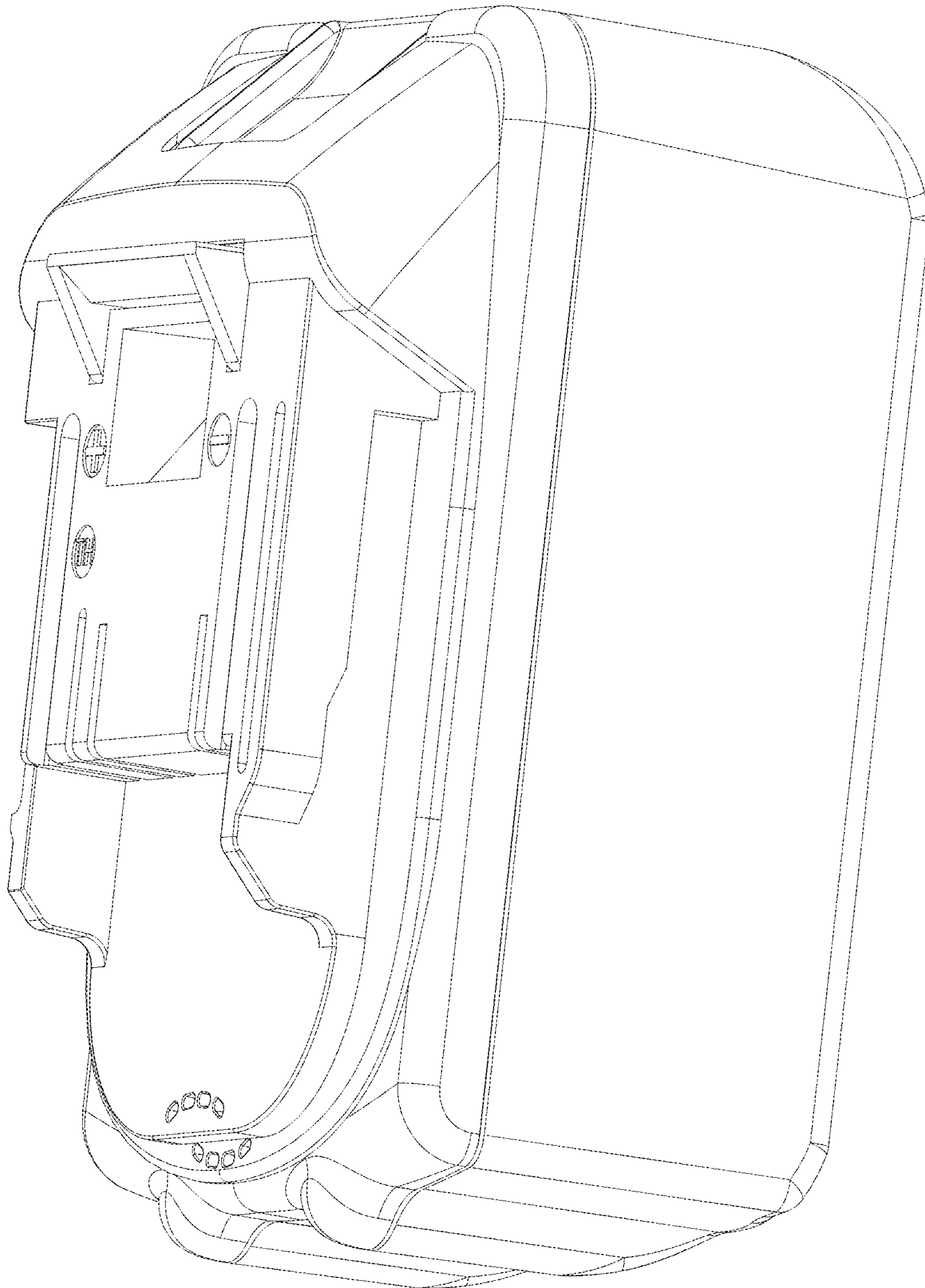


FIG. 8

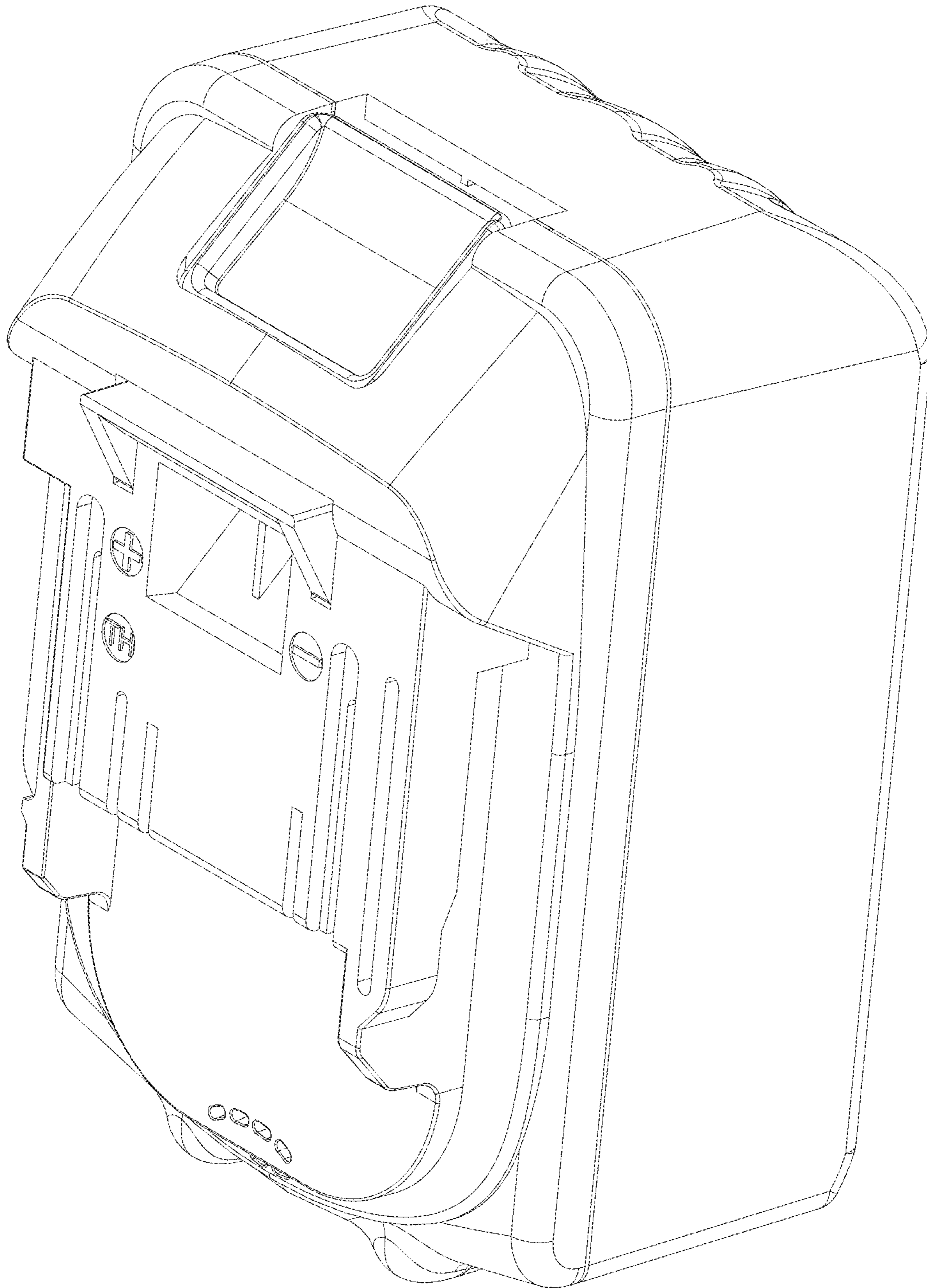


FIG. 9

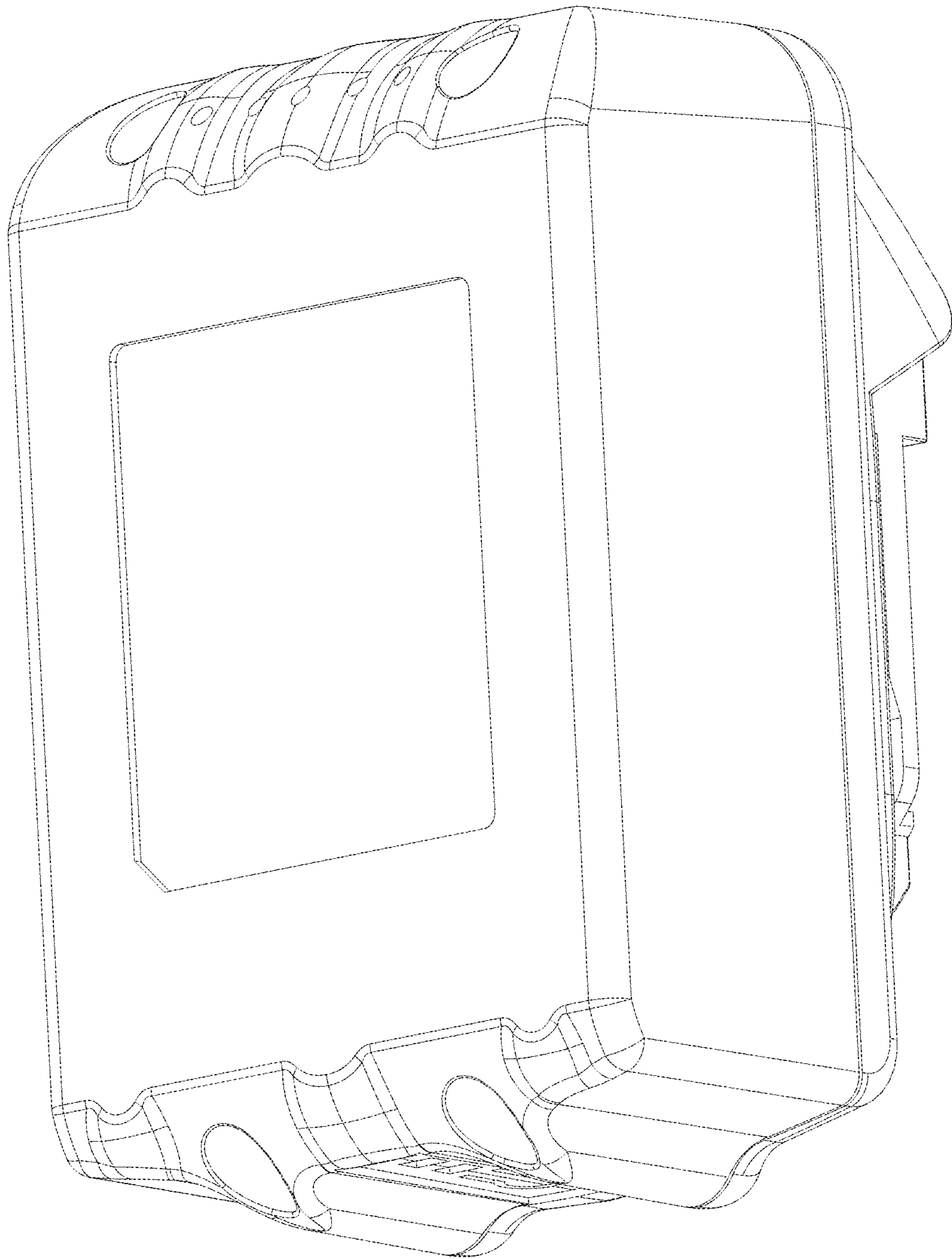


FIG. 10