



US00D975632S

(12) **United States Design Patent** (10) **Patent No.:** **US D975,632 S**
Chen (45) **Date of Patent:** **** Jan. 17, 2023**

(54) **RECHARGEABLE BATTERY**
(71) Applicant: **Huiyu Chen**, Guangdong (CN)
(72) Inventor: **Huiyu Chen**, Guangdong (CN)
(**) Term: **15 Years**
(21) Appl. No.: **29/772,423**
(22) Filed: **Mar. 1, 2021**
(51) **LOC (14) Cl.** **13-03**
(52) **U.S. Cl.**
USPC **D13/103**
(58) **Field of Classification Search**
USPC D13/102, 103, 104, 105, 106, 110, 118,
D13/119, 184, 199
CPC .. H01M 10/05; H01M 10/052; H01M 10/054;
H01M 10/425; H01M 10/48; H01M
10/486; H01M 50/249; H01M 2220/30;
H01M 2250/30

See application file for complete search history.

(56) **References Cited**

U.S. PATENT DOCUMENTS

D510,722 S	*	10/2005	Kosiba	D13/103
D639,730 S	*	6/2011	Kawase	D13/103
D938,903 S	*	12/2021	Miyake	D13/103
D941,752 S	*	1/2022	Luo	D13/103
D945,959 S	*	3/2022	Okuda	D13/103
D946,504 S	*	3/2022	Qiu	D13/103
D950,483 S	*	5/2022	Yrad, Jr.	D13/103
D951,860 S	*	5/2022	Forsberg	D13/103
D951,862 S	*	5/2022	Xia	D13/103
D952,552 S	*	5/2022	Forsberg	D13/103
D952,554 S	*	5/2022	Xu	D13/103
D953,253 S	*	5/2022	Cestonaro	D13/103
D953,258 S	*	5/2022	Ye	D13/103

OTHER PUBLICATIONS

Rechargeable Batteries. (Design—© Questel) orbit.com. [Online PDF compilation of references] 56 pgs. Print Dates Range Mar. 23, 2021-Oct. 17, 2017 [Retrieved Jun. 10, 2022].*

Craftsman V20 20 Volt Max 2 Amp Hour Lithium Power Tool Battery. Before Nov. 20, 2018. Lowes, <https://www.lowes.com/pd/CRAFTSMAN-V20-20-Volt-Max-2-Amp-Hour-Lithium-Power-Tool-Battery/1000595585>.
18 V Lithium Ion 2 Ah SlimPack Battery. 2014. Bosch. <https://www.boschtools.com/us/en/boschtools-ocs/18v-batteries-chargers-and-starter-kits-bat612-46749-p/>.
12V 2 Ah Lithium Ion Compact Lightweight Battery. Before Oct. 19, 2019. Harbor Freight. https://www.harborfreight.com/12v-20-ah-lithium-ion-compact-lightweight-battery-56566.html?utm_source=google&utm_medium=cpc&utm_campaign=16570761281&campaignid=16570761281&utm_content=137221139209&adsetid=137221139209&product=5.

* cited by examiner

Primary Examiner — George D. Kirschbaum
Assistant Examiner — Suzanne E Tisdell

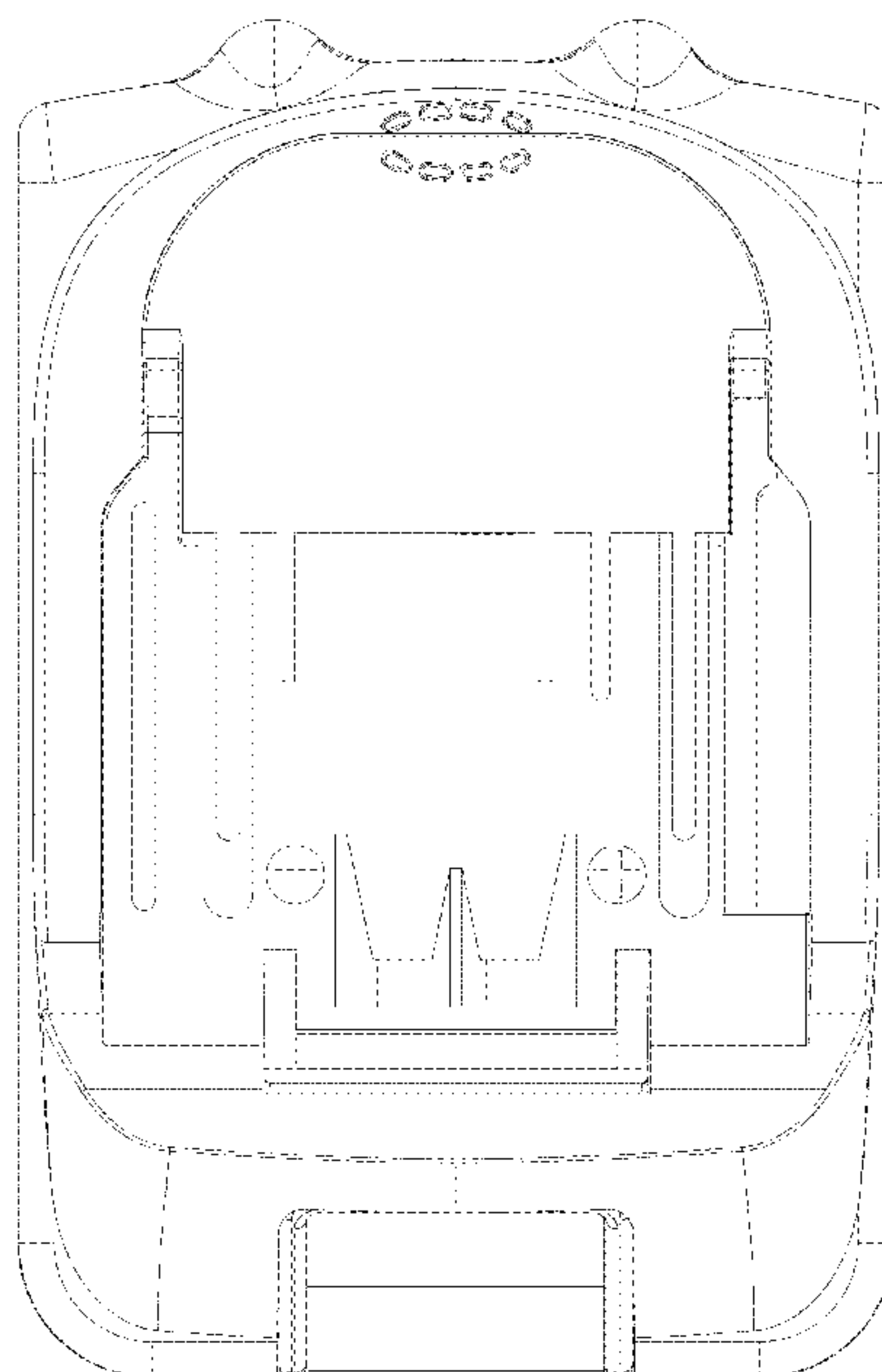
(57) **CLAIM**

The ornamental design for a rechargeable battery, as shown.

DESCRIPTION

FIG. 1 is a front elevational view of a rechargeable battery showing my new design;
FIG. 2 is a rear elevational view thereof;
FIG. 3 is a left side view thereof;
FIG. 4 is a right side view thereof;
FIG. 5 is a top plan view thereof;
FIG. 6 is a bottom plan view thereof;
FIG. 7 is a perspective view thereof;
FIG. 8 is second perspective view thereof;
FIG. 9 is third perspective view thereof; and,
FIG. 10 is fourth perspective view thereof.

1 Claim, 10 Drawing Sheets



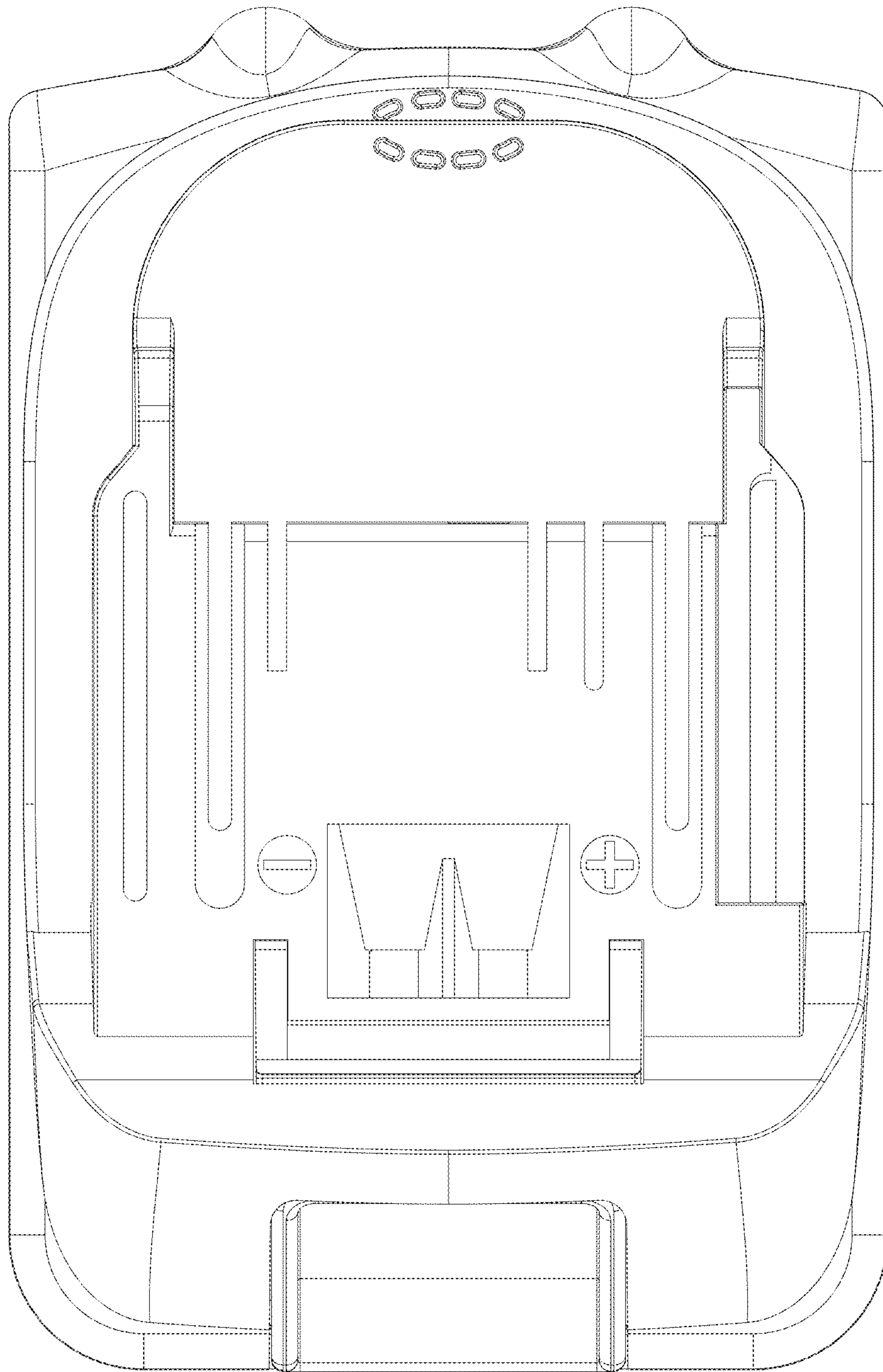


FIG. 1

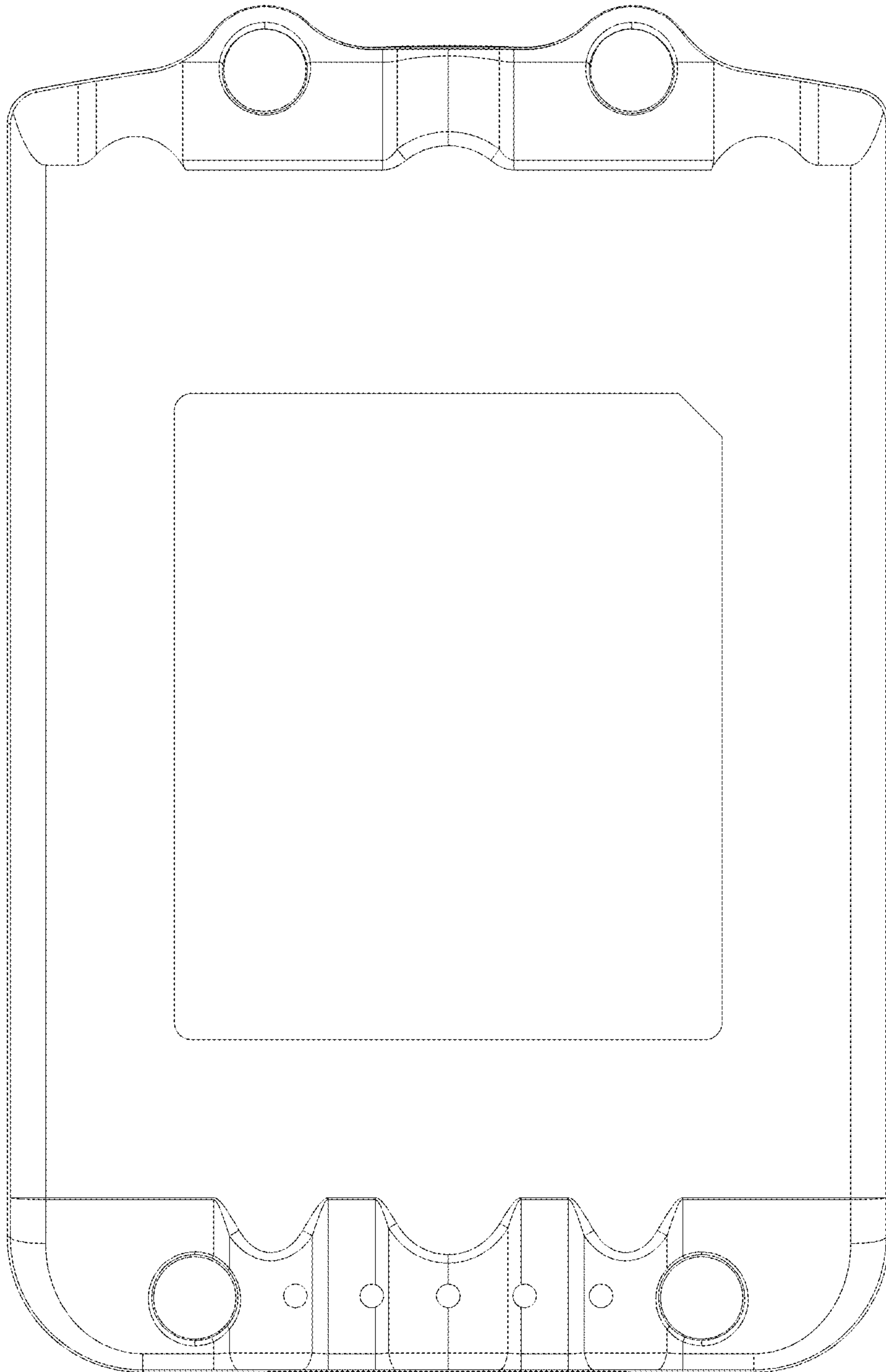


FIG. 2

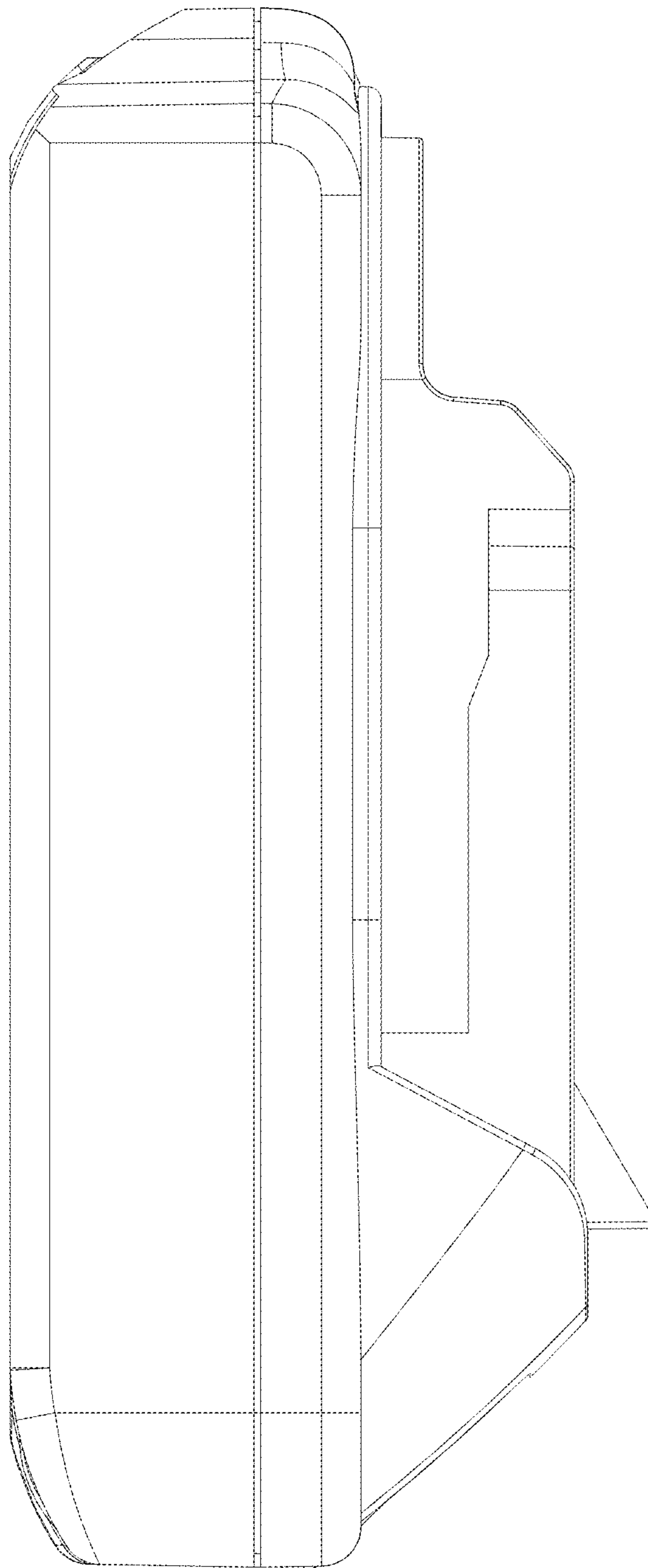


FIG. 3

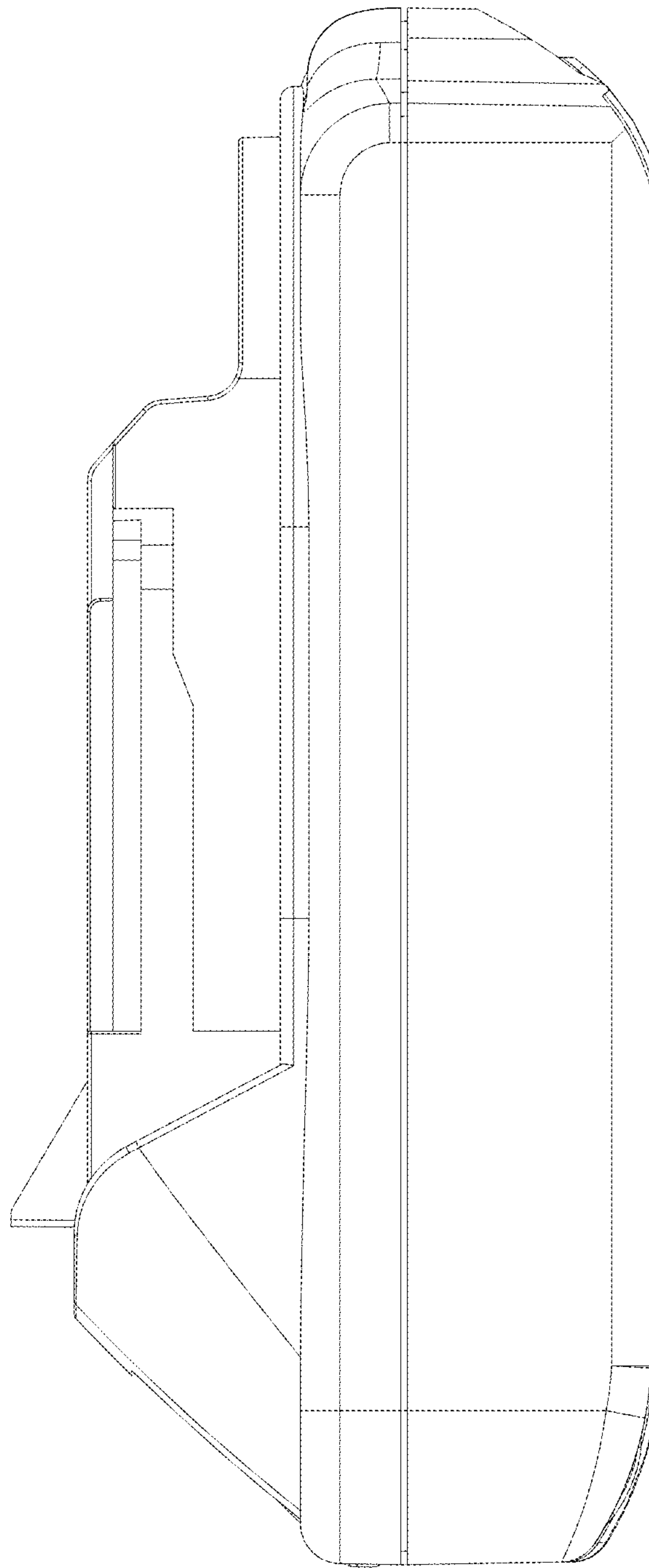


FIG. 4

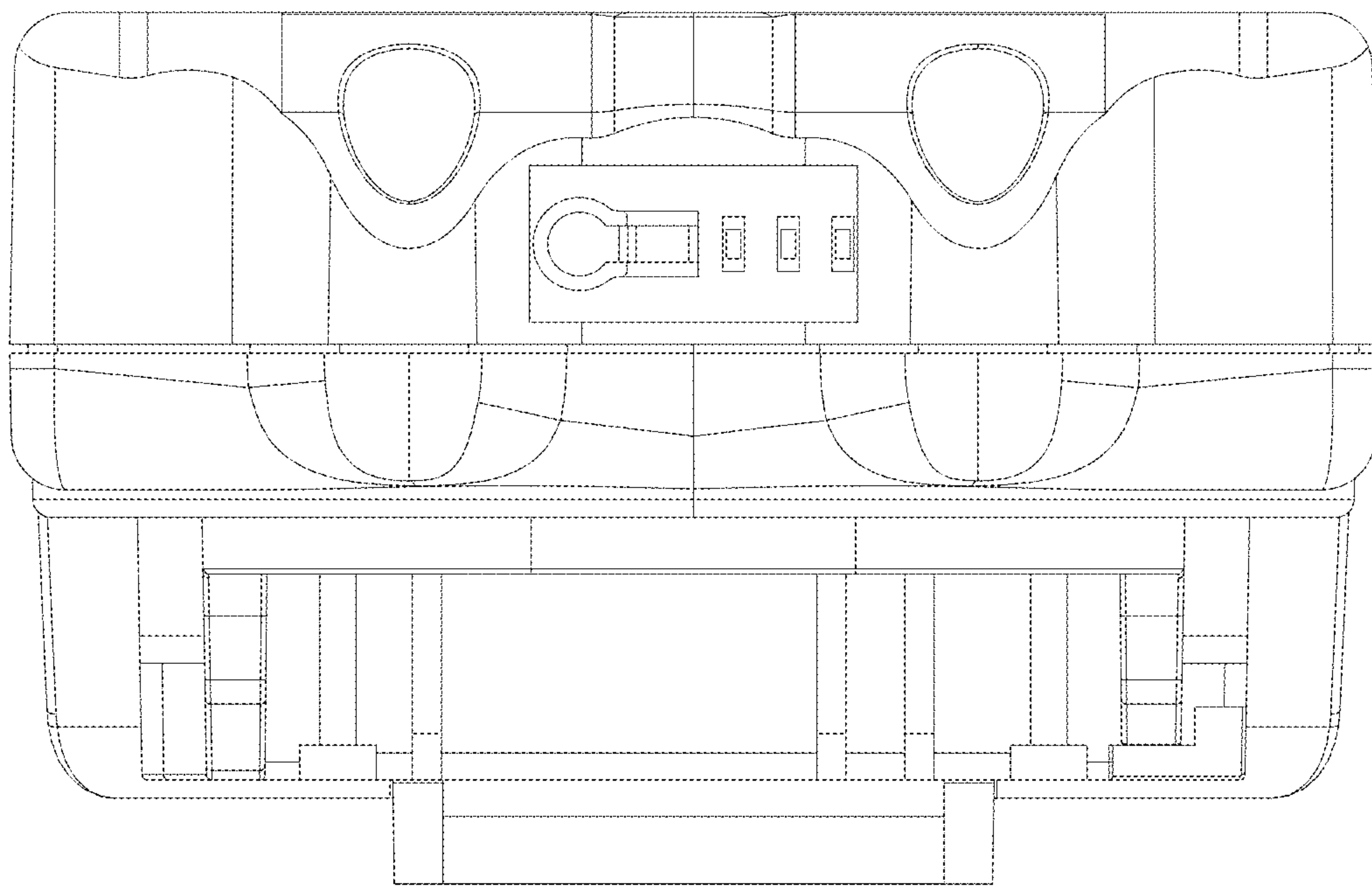


FIG. 5

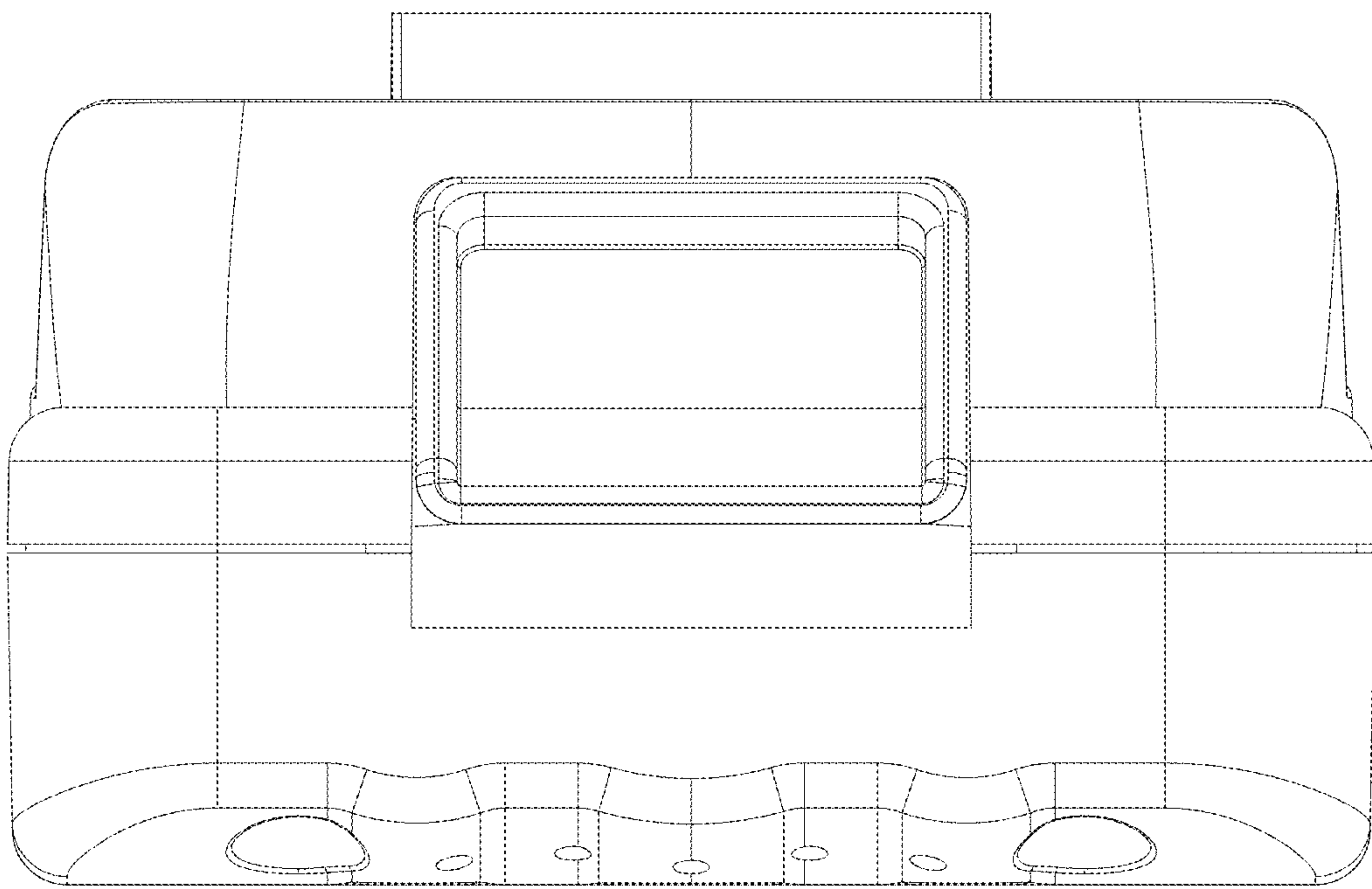


FIG. 6

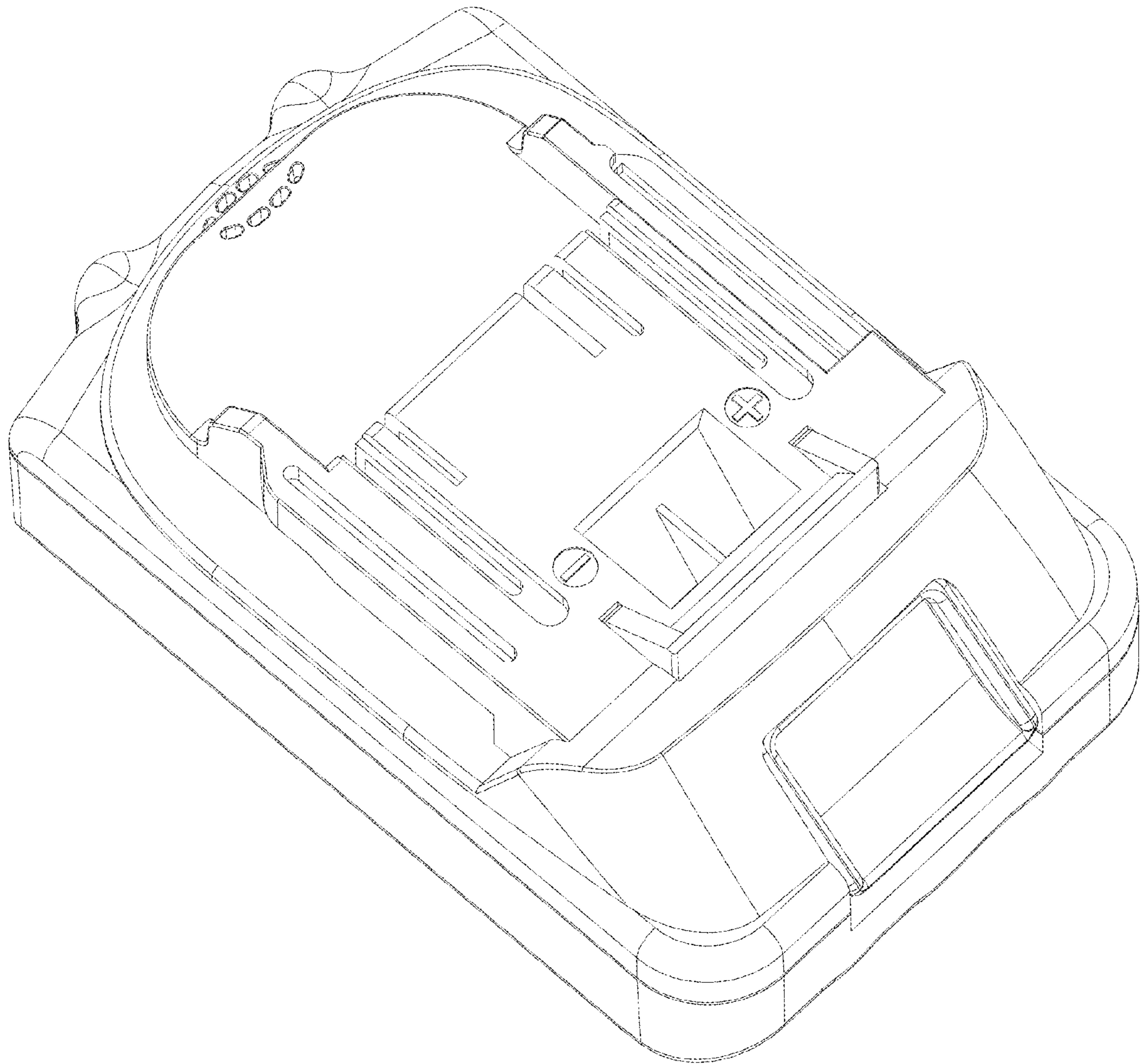


FIG. 7

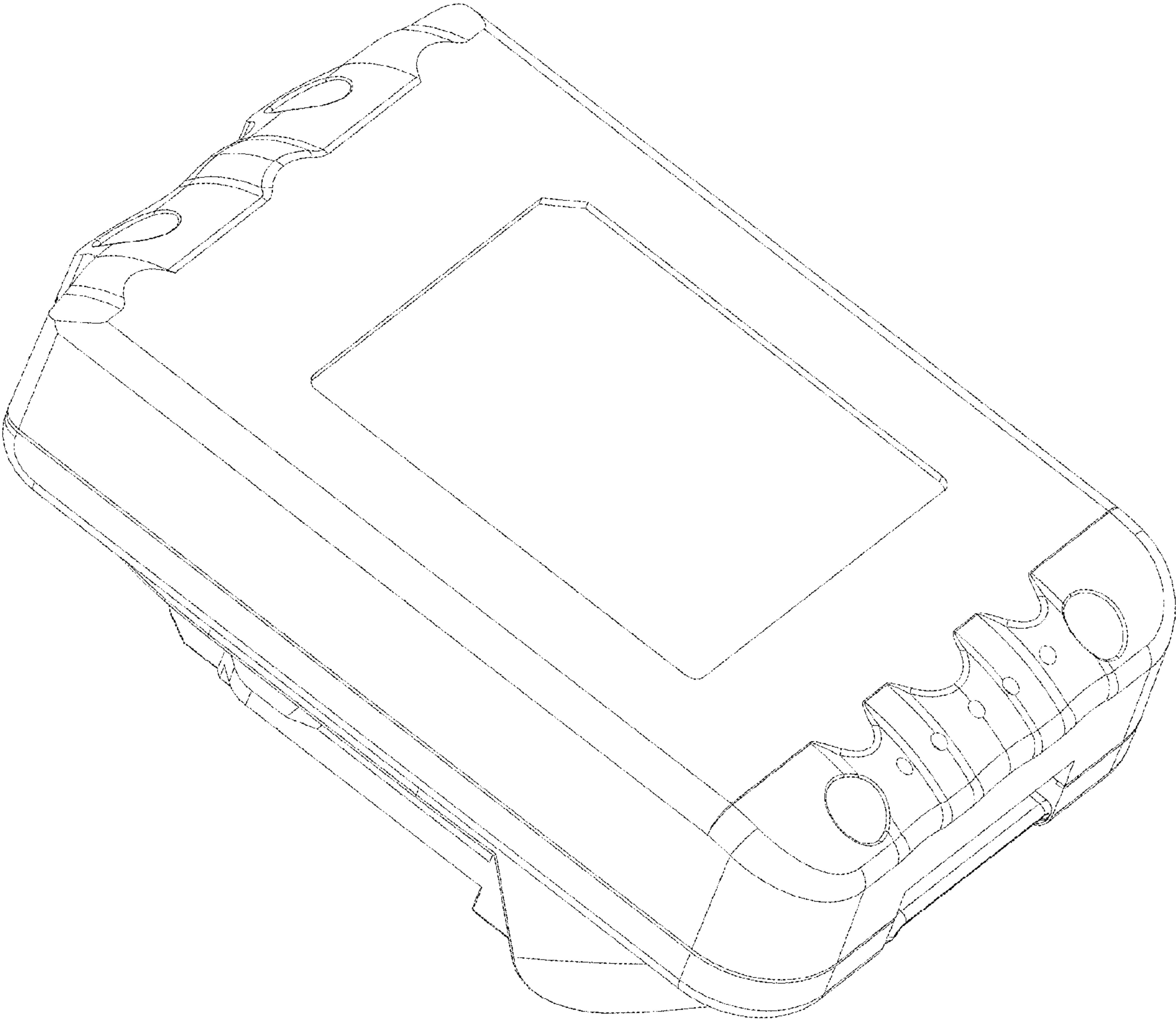


FIG. 8

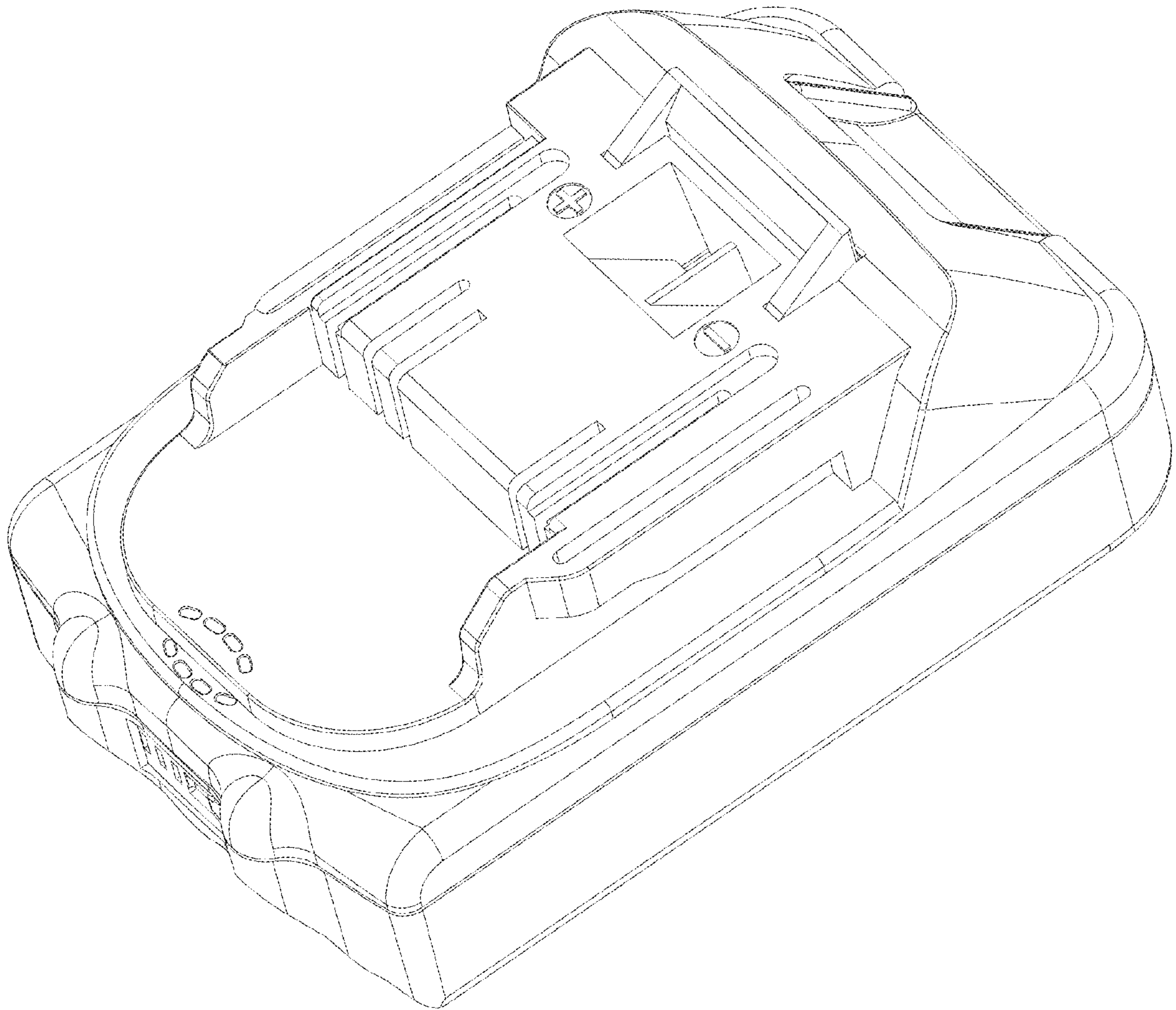


FIG. 9

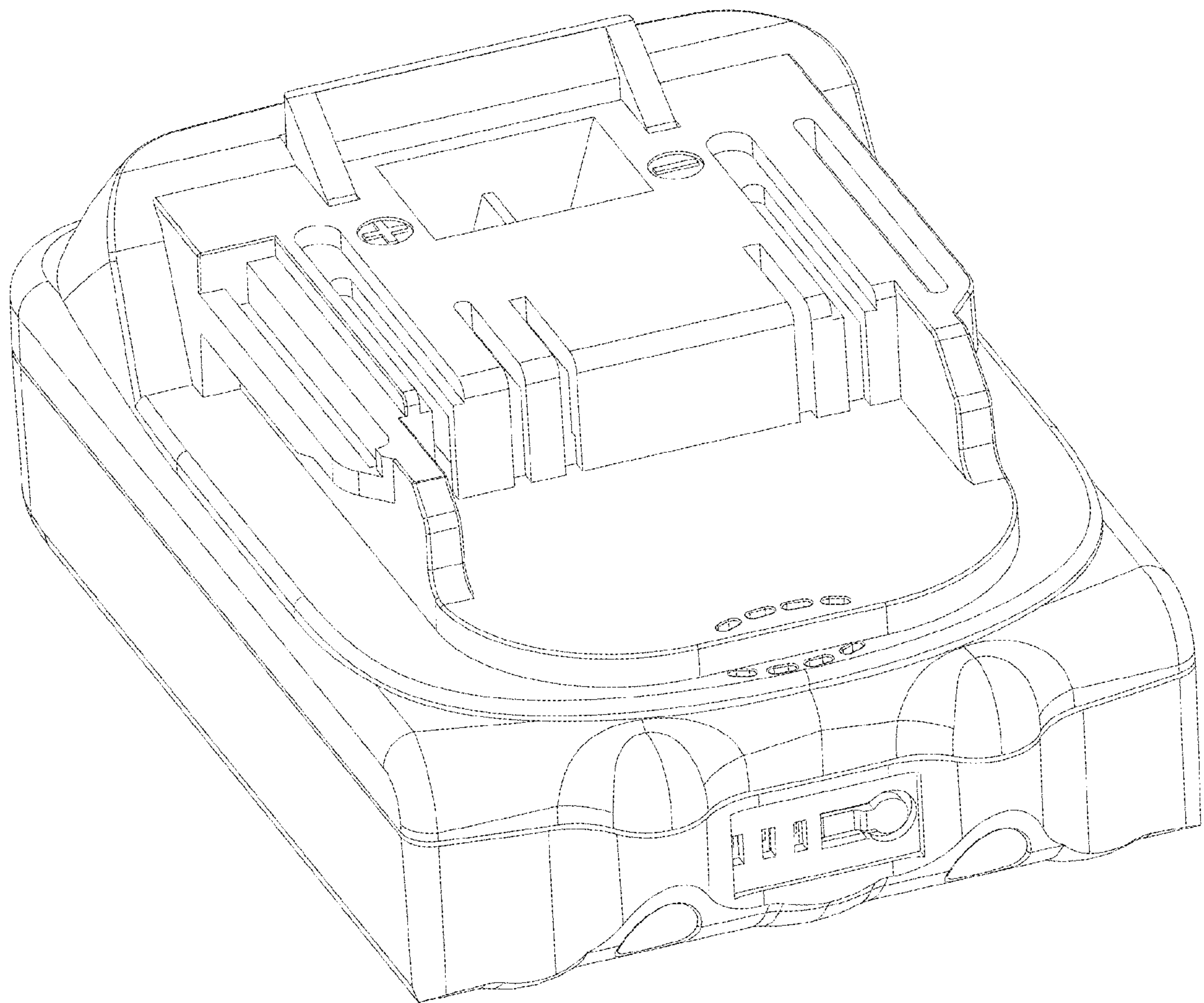


FIG. 10