



US00D975631S

(12) **United States Design Patent**
Horikoshi et al.

(10) **Patent No.:** **US D975,631 S**
(45) **Date of Patent:** **** Jan. 17, 2023**

- (54) **SECONDARY BATTERY**
- (71) Applicant: **MURATA MANUFACTURING CO., LTD.**, Kyoto-fu (JP)
- (72) Inventors: **Yoshiichi Horikoshi**, Nagaokakyo (JP);
Taichi Katsumoto, Nagaokakyo (JP);
Masayuki Kageyama, Nagaokakyo (JP)
- (73) Assignee: **Murata Manufacturing Co., Ltd.**,
Kyoto (JP)
- (**) Term: **15 Years**
- (21) Appl. No.: **29/750,251**
- (22) Filed: **Sep. 11, 2020**
- (30) **Foreign Application Priority Data**

D423,450 S *	4/2000	Buckle	D13/103
D425,477 S *	5/2000	Buckle	D13/103
D425,855 S *	5/2000	Buckle	D13/103
D426,188 S *	6/2000	Buckle	D13/103
D426,189 S *	6/2000	Buckle	D13/103
D426,514 S *	6/2000	Buckle	D13/103
D426,515 S *	6/2000	Buckle	D13/103
D426,516 S *	6/2000	Buckle	D13/103
D426,517 S *	6/2000	Buckle	D13/103
D426,807 S *	6/2000	Buckle	D13/103
6,152,751 A *	11/2000	Hanson	H01R 13/44 439/732
D476,617 S *	7/2003	Kasahara	D13/103
D476,619 S *	7/2003	Katsumoto	D13/103
D476,947 S *	7/2003	Kasahara	D13/103
D477,276 S *	7/2003	Katsumoto	D13/103
D730,826 S *	6/2015	Moanack	D13/110
D763,788 S *	8/2016	Bakker	D13/103

(Continued)

Primary Examiner — Nathaniel D. Buckner
(74) *Attorney, Agent, or Firm* — K&L Gates LLP

- Sep. 3, 2020 (JP) 2020-018732 D
- (51) **LOC (14) Cl.** **13-02**
- (52) **U.S. Cl.**
USPC **D13/103**
- (58) **Field of Classification Search**
USPC D13/102–106, 110, 118–119, 184
CPC . Y02E 60/10; H01M 2220/30; H01M 50/209;
H01M 50/213; H01M 50/183; H01M
50/10; H01M 50/529; H01M 50/531;
H01M 10/0525; H01M 10/0436; H01M
10/052; H01M 10/0565; H01M 10/30;
H01M 10/345; H01M 10/425; H01M
2010/0495; B25F 5/02; B25F 5/00; A61B
2017/00734
See application file for complete search history.

(57) **CLAIM**

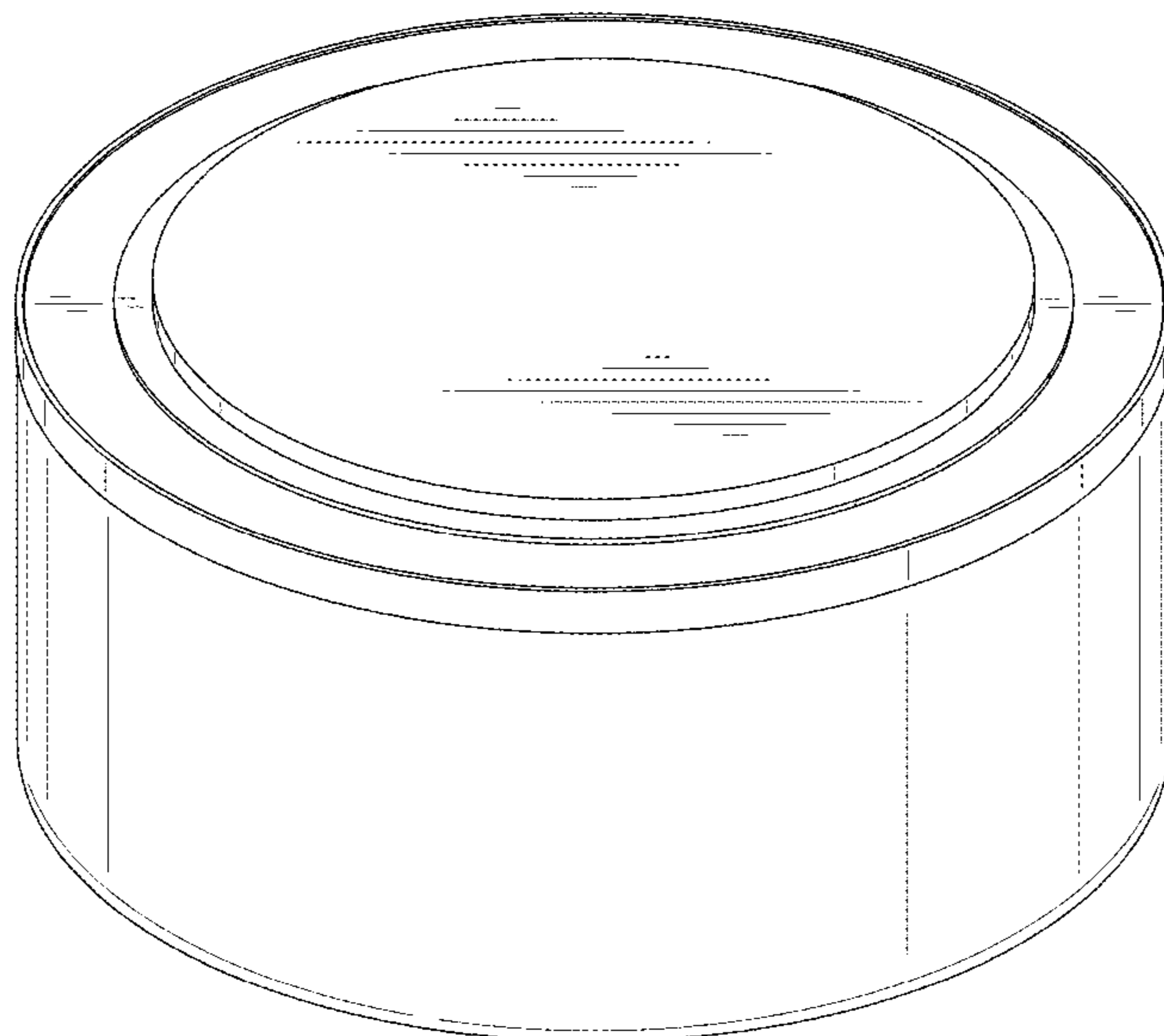
The ornamental design for a secondary battery, as shown and described.

DESCRIPTION

FIG. 1 is a perspective view of a secondary battery showing our new design;
 FIG. 2 is a front elevational view thereof;
 FIG. 3 is a rear elevational view thereof;
 FIG. 4 is a left-side elevational view thereof;
 FIG. 5 is a right-side elevational view thereof;
 FIG. 6 is a top plan view thereof;
 FIG. 7 is a bottom plan view thereof; and,
 FIG. 8 is an enlarged cross section view thereof, taken along line 8-8 in FIG. 2.
 The broken lines in FIG. 8 depict portions of the secondary battery that form no part of the claimed design.

1 Claim, 6 Drawing Sheets

- (56) **References Cited**
U.S. PATENT DOCUMENTS
D118,597 S * 1/1940 Knauss D13/103
5,654,111 A * 8/1997 Minomiya H01M 10/0436
429/162



(56)

References Cited

U.S. PATENT DOCUMENTS

D782,408 S * 3/2017 Morgan D13/102
10,573,480 B2 * 2/2020 Rosios H01M 50/572
10,573,928 B2 * 2/2020 Kim H01M 4/58
D904,981 S * 12/2020 Worthy D13/110
2007/0251083 A1 * 11/2007 Link H01M 12/06
429/129
2020/0411824 A1 * 12/2020 Tsang H01M 50/325
2021/0184322 A1 * 6/2021 Park H01M 50/469
2021/0257760 A1 * 8/2021 Mun G07C 9/00944

* cited by examiner

FIG. 1

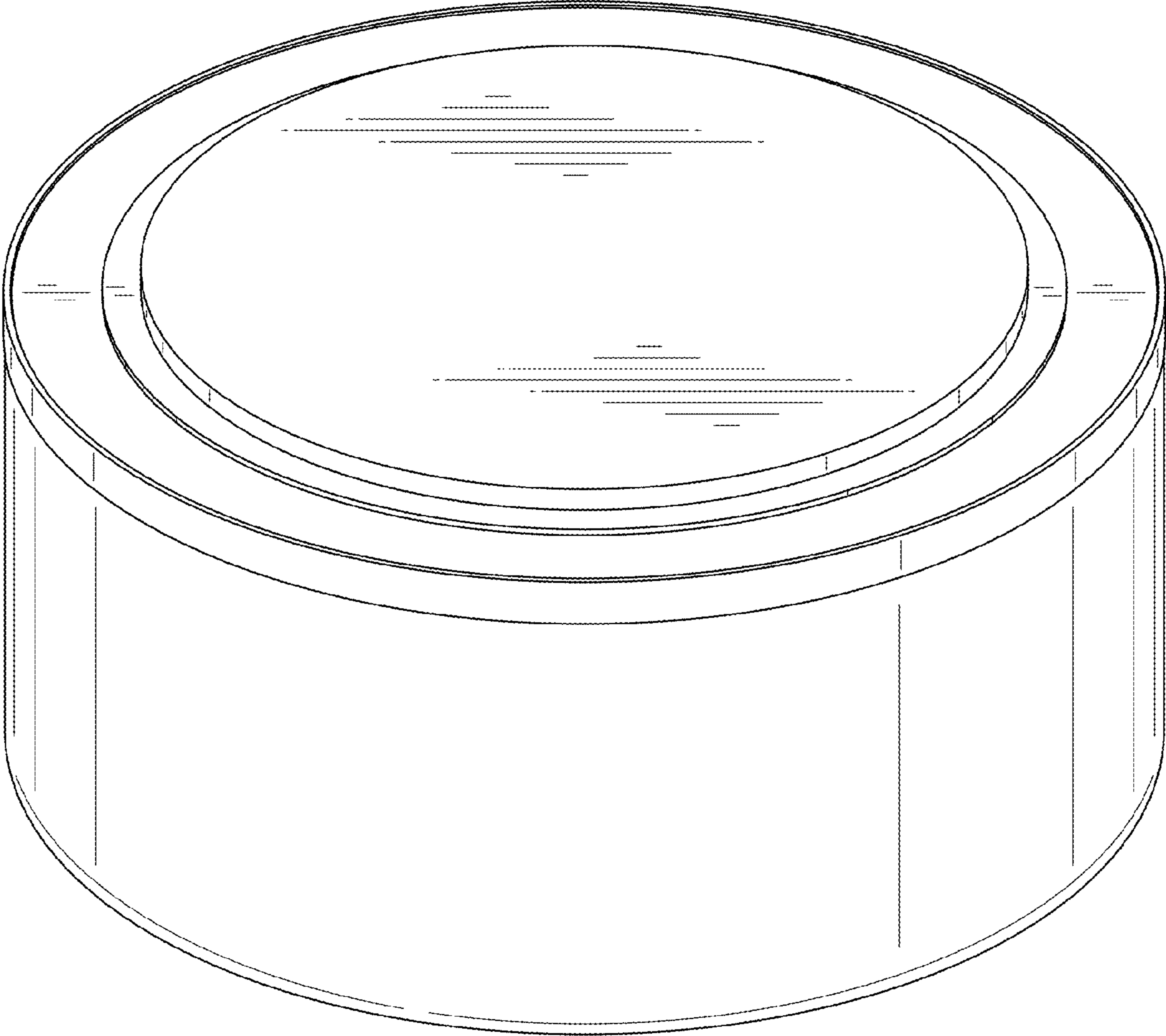
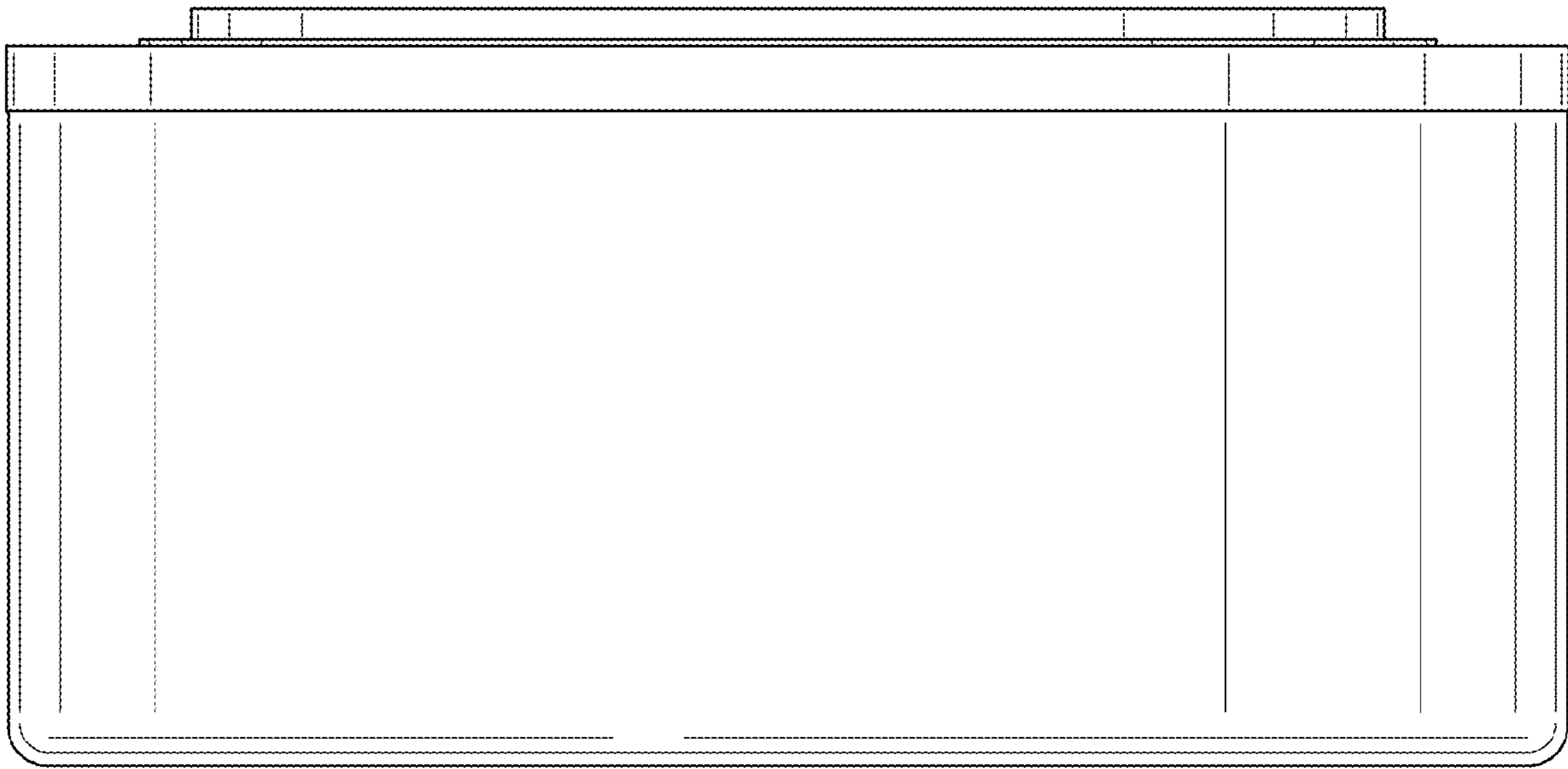


FIG. 2

↗ 8



↘ 8

FIG. 3

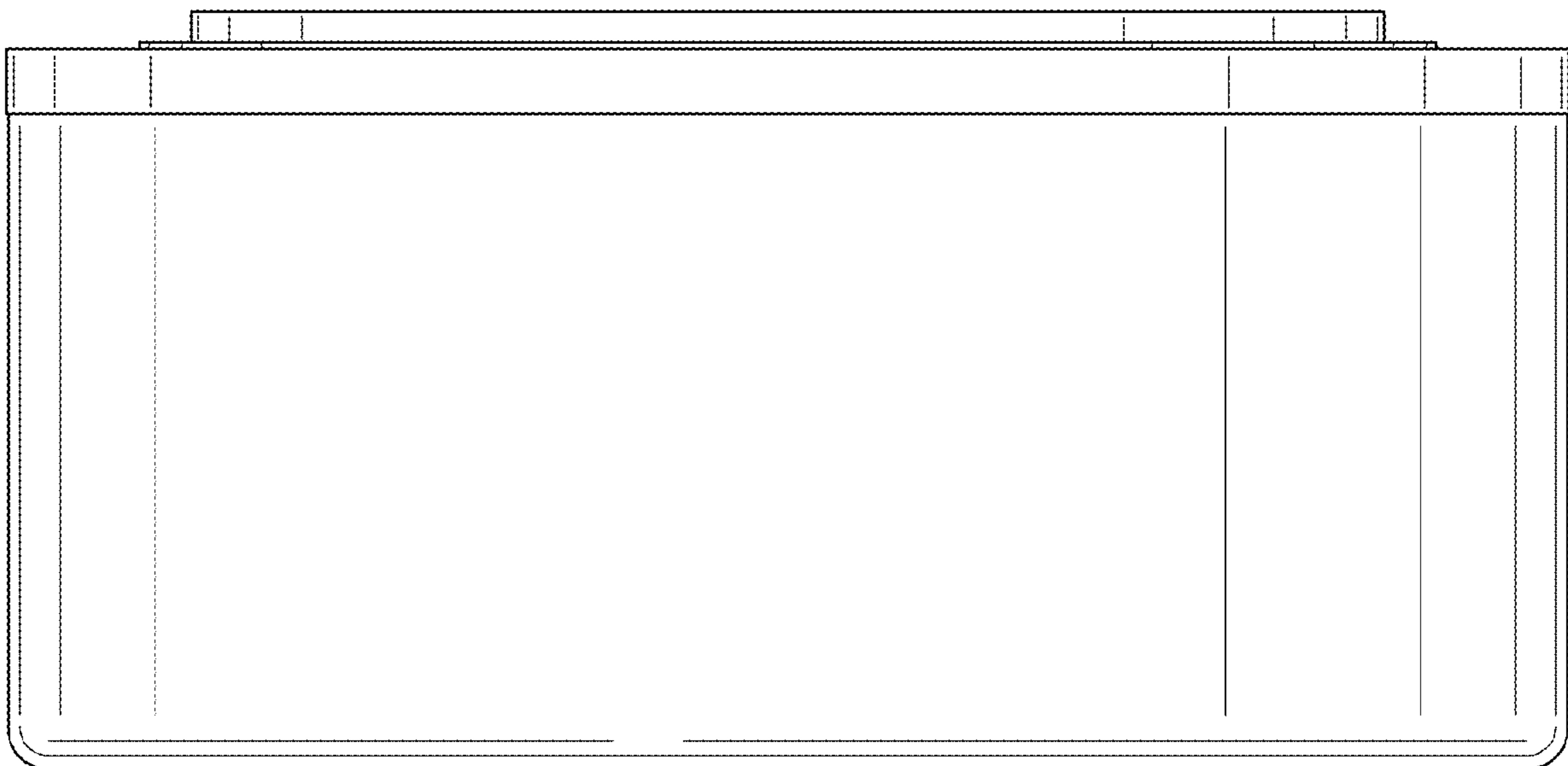


FIG. 4

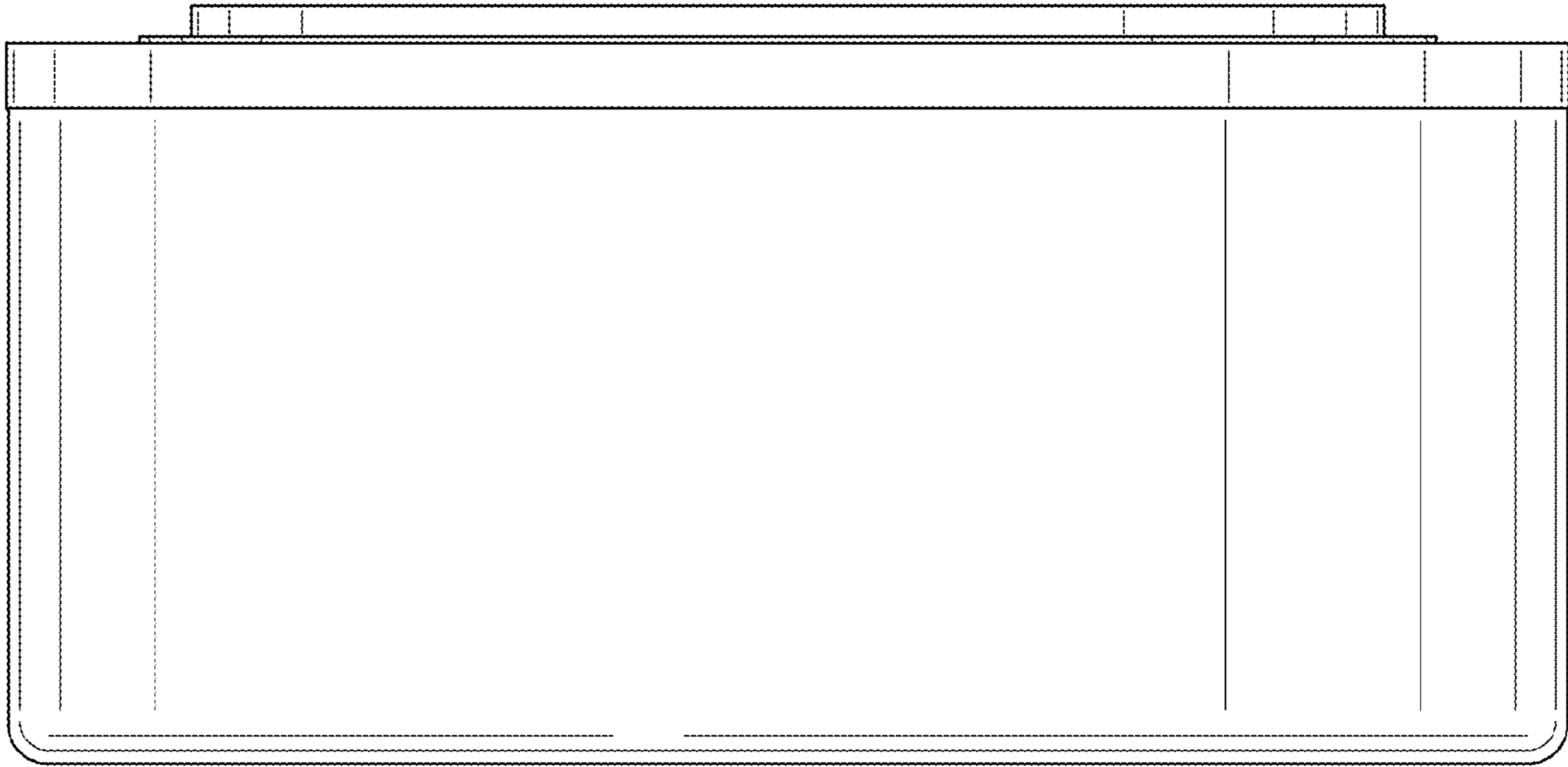


FIG. 5

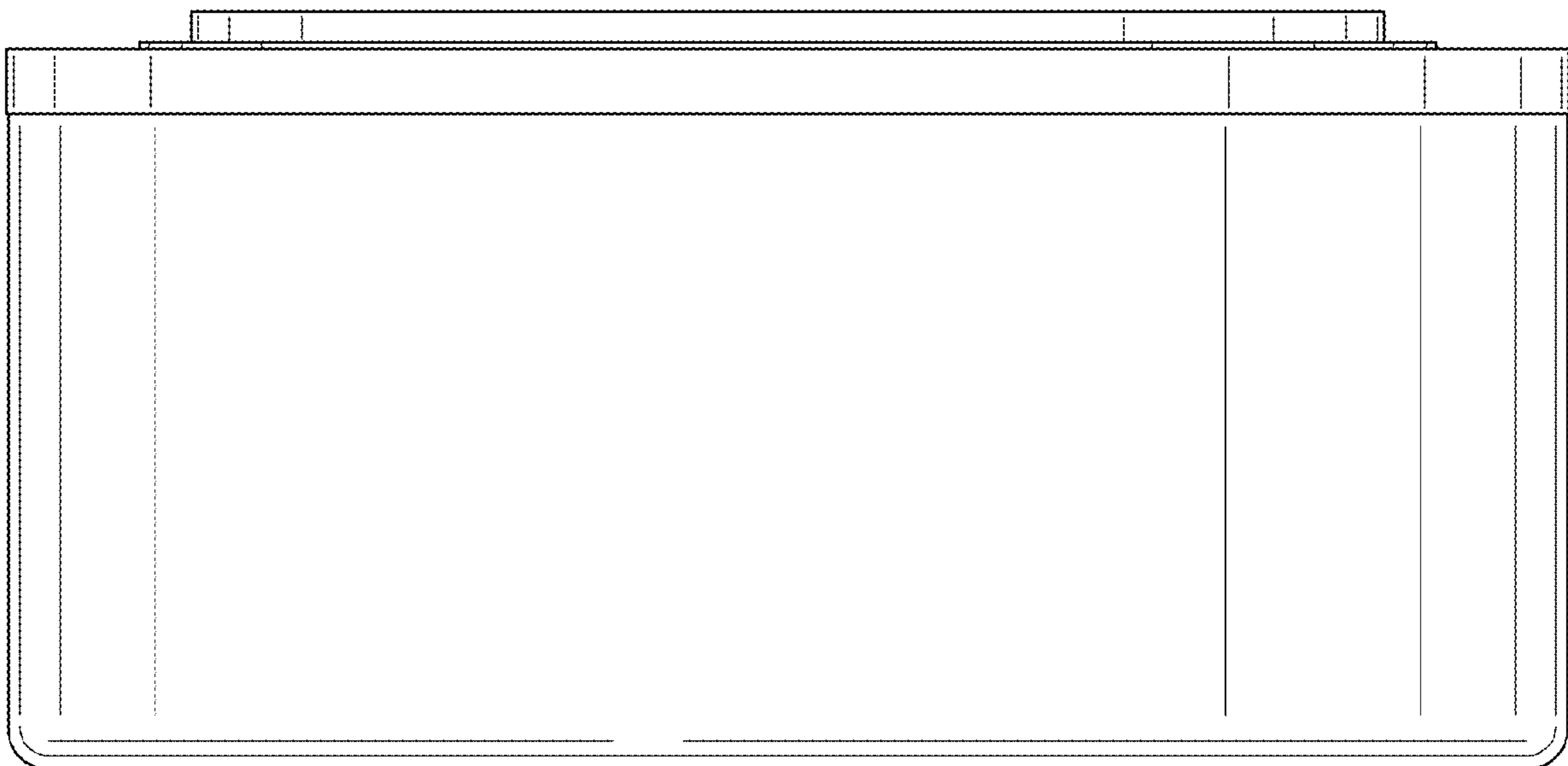


FIG. 6

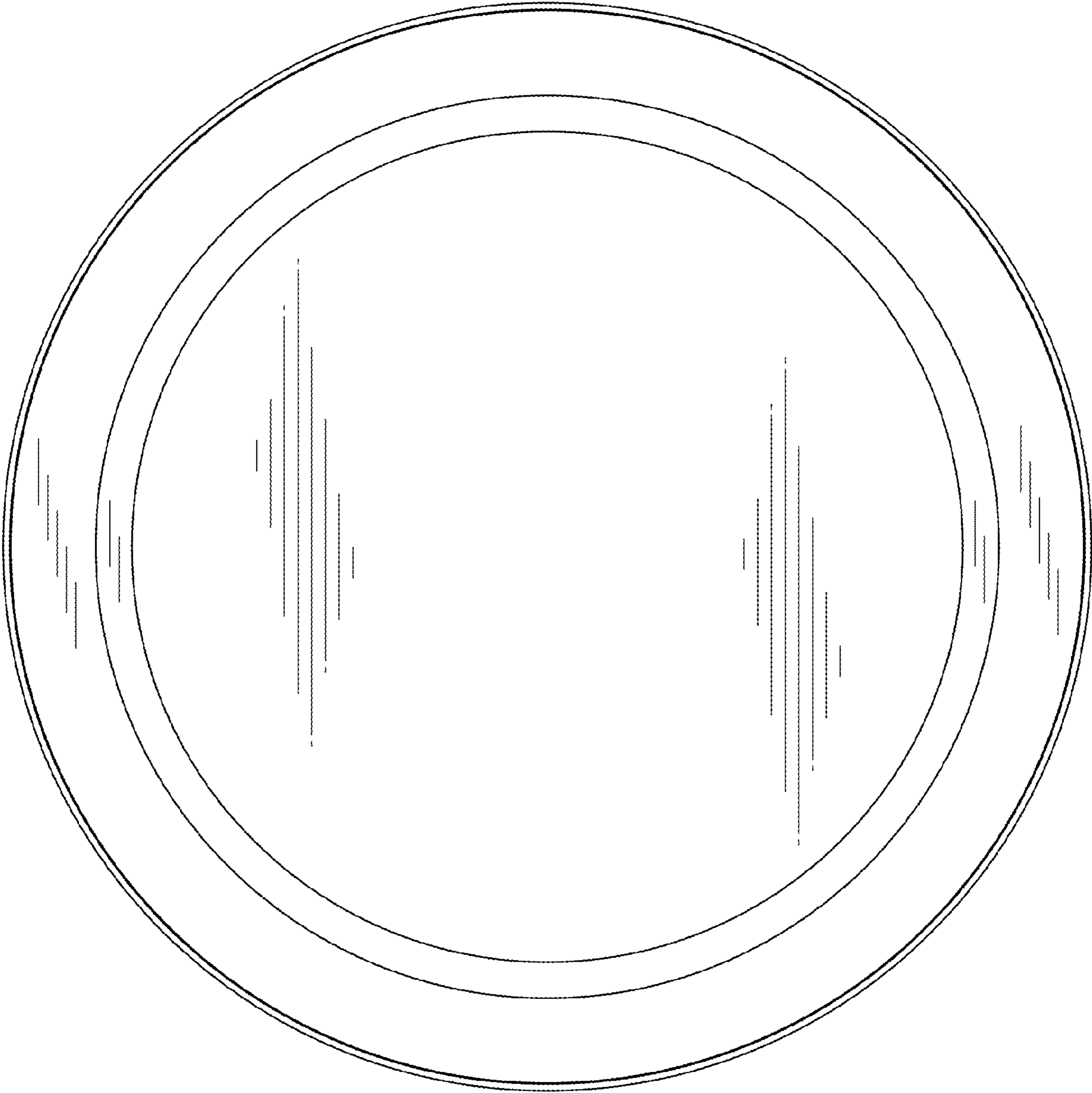


FIG. 7

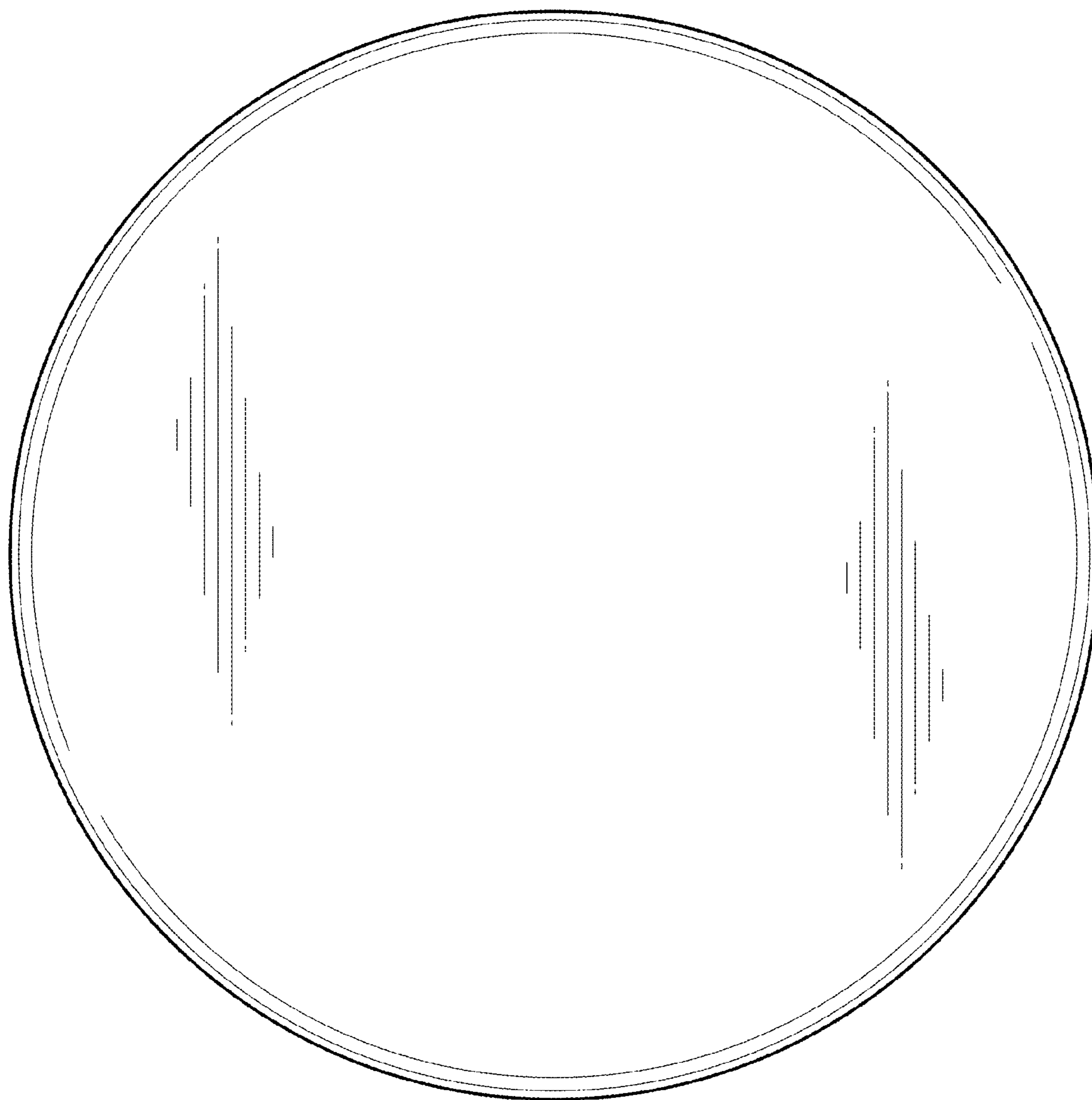


FIG. 8

