



US00D975622S

(12) **United States Design Patent** (10) **Patent No.:** **US D975,622 S**  
**Silsby et al.** (45) **Date of Patent:** **\*\* Jan. 17, 2023**

(54) **STORAGE CASE FOR A BICYCLE**

2017/0267438 A1\* 9/2017 Welch ..... A45C 11/20  
2021/0070523 A1\* 3/2021 Iyer ..... B65D 51/24  
2022/0154411 A1\* 5/2022 Henry, Jr. .... B65D 25/2885

(71) Applicant: **Rad Power Bikes Inc.**, Seattle, WA (US)

FOREIGN PATENT DOCUMENTS

(72) Inventors: **Jake Silsby**, Seattle, WA (US); **Joe Gray**, Seattle, WA (US); **Jed McCann**, Seattle, WA (US)

GB 6175439 \* 11/2021

(73) Assignee: **RAD POWER BIKES INC.**, Seattle, WA (US)

OTHER PUBLICATIONS

(\*\*) Term: **15 Years**

Amazon, Suncoast outfitters, published May 18, 2021 [retrieved Nov. 1, 2022]. Retrieved from the internet<<https://www.amazon.com/SUNCOAST-OUTFITTERS-Portable-Refrigerator-Freezer/dp/B095771S1K>> (Year: 2021).\*

(21) Appl. No.: **29/783,806**

\* cited by examiner

(22) Filed: **May 14, 2021**

(51) **LOC (14) Cl.** ..... **03-01**

*Primary Examiner* — Joseph Kukella

(52) **U.S. Cl.**

*Assistant Examiner* — Lavon M. Amerson

USPC ..... **D12/409**

(74) *Attorney, Agent, or Firm* — AMPACC Law Group PLLC

(58) **Field of Classification Search**

USPC ..... D12/114, 119, 407, 409, 410; D3/201, D3/231, 243, 273

CPC ..... B62J 9/00; B62J 7/00  
See application file for complete search history.

(57) **CLAIM**

The ornamental design for a storage case for a bicycle, as shown and described.

(56) **References Cited**

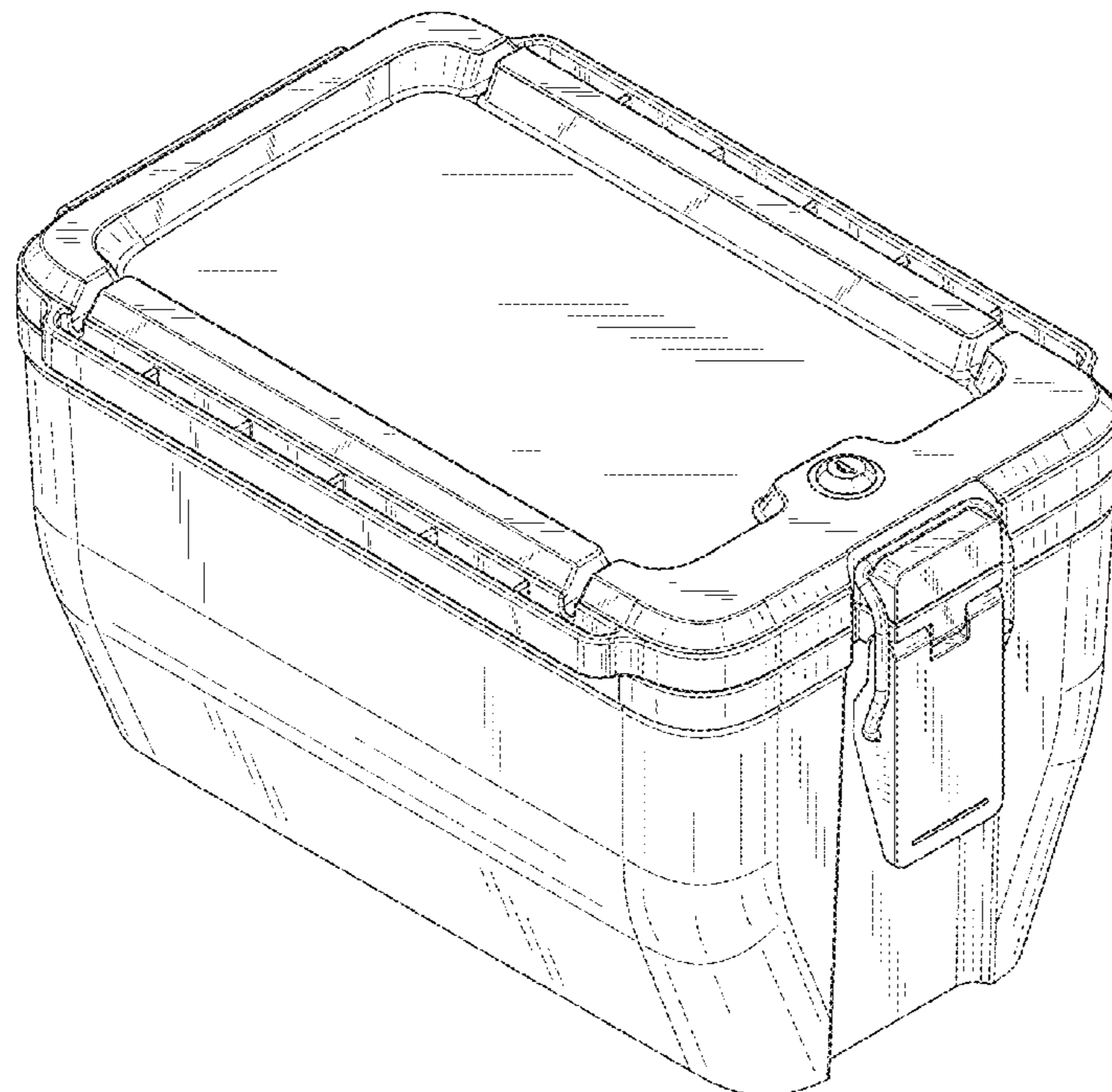
**DESCRIPTION**

U.S. PATENT DOCUMENTS

D411,664 S \* 6/1999 Latshaw ..... D3/201  
D653,450 S \* 2/2012 Walter ..... D3/302  
D701,044 S \* 3/2014 Kishimoto ..... A45C 11/20  
D3/273  
D823,064 S \* 7/2018 Eichinger ..... D7/605  
2010/0212351 A1\* 8/2010 Chapin ..... F25D 3/08  
222/131  
2012/0266430 A1\* 10/2012 Richardson, III ..... B29C 73/04  
29/402.09

FIG. 1 is a perspective view thereof;  
FIG. 2 is a right-side view thereof;  
FIG. 3 is a left-side view thereof;  
FIG. 4 is a rear view thereof;  
FIG. 5 is a front view thereof;  
FIG. 6 is a top plan view thereof; and,  
FIG. 7 is a bottom plan view thereof.

**1 Claim, 7 Drawing Sheets**



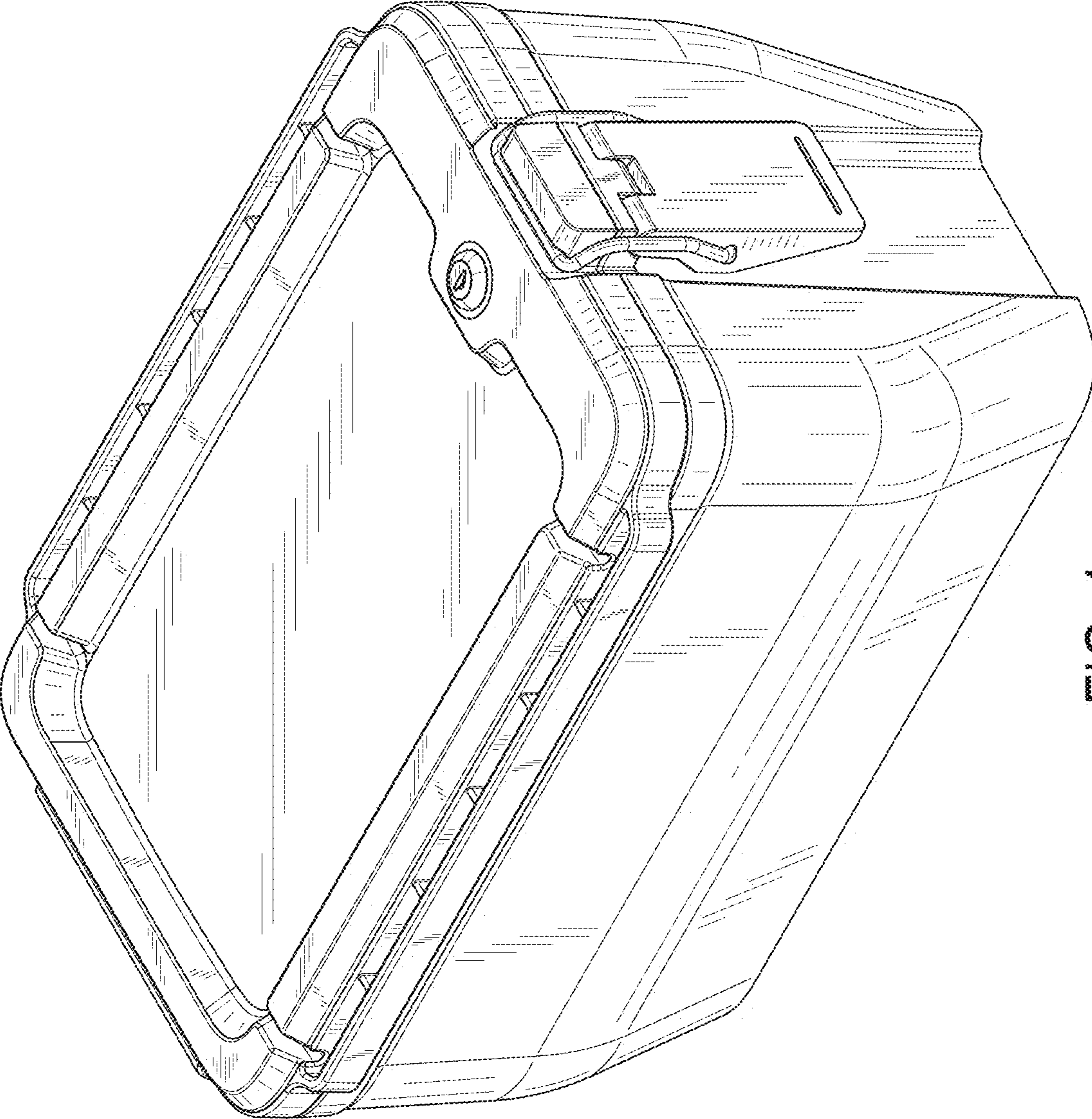


FIG. 1

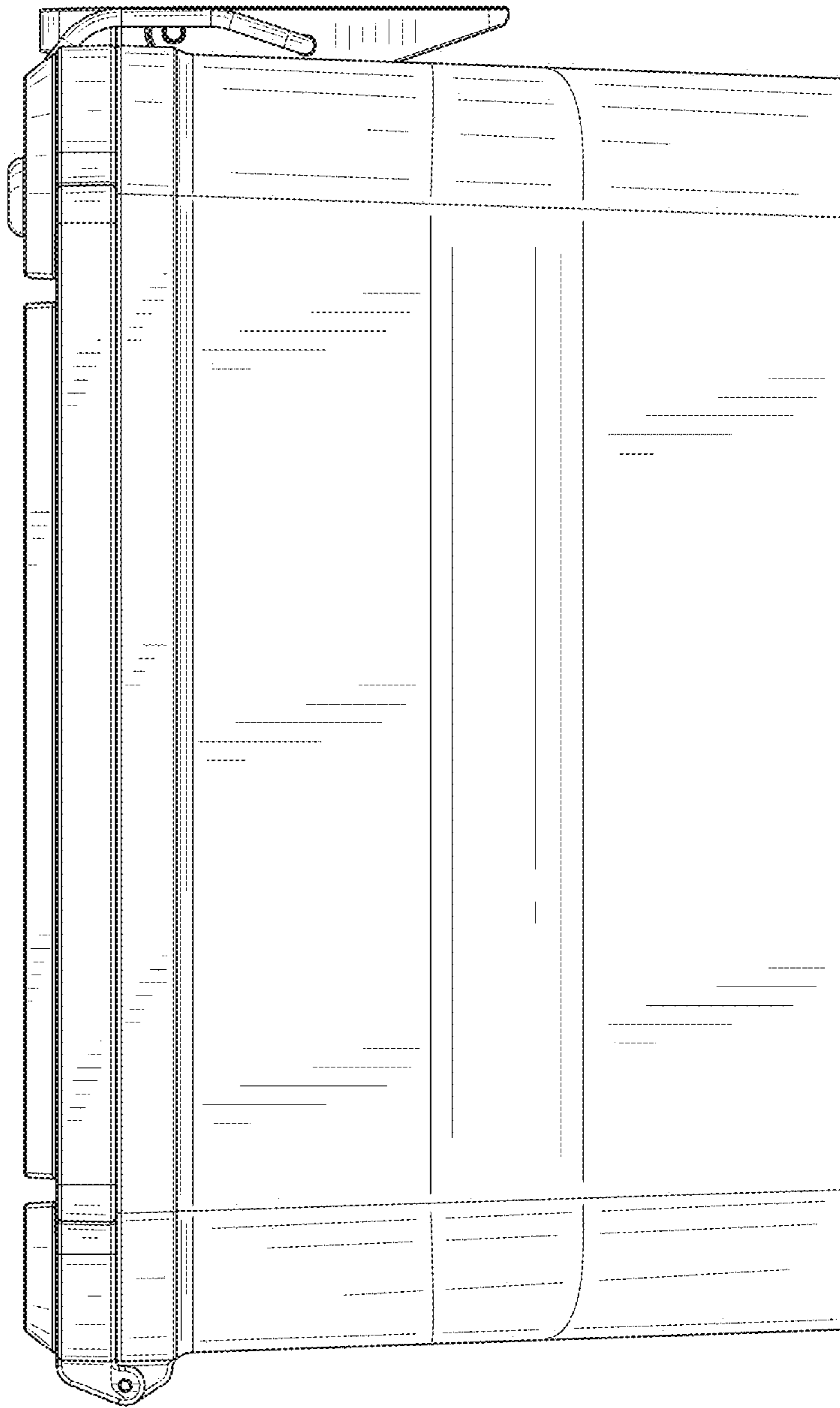


FIG. 2

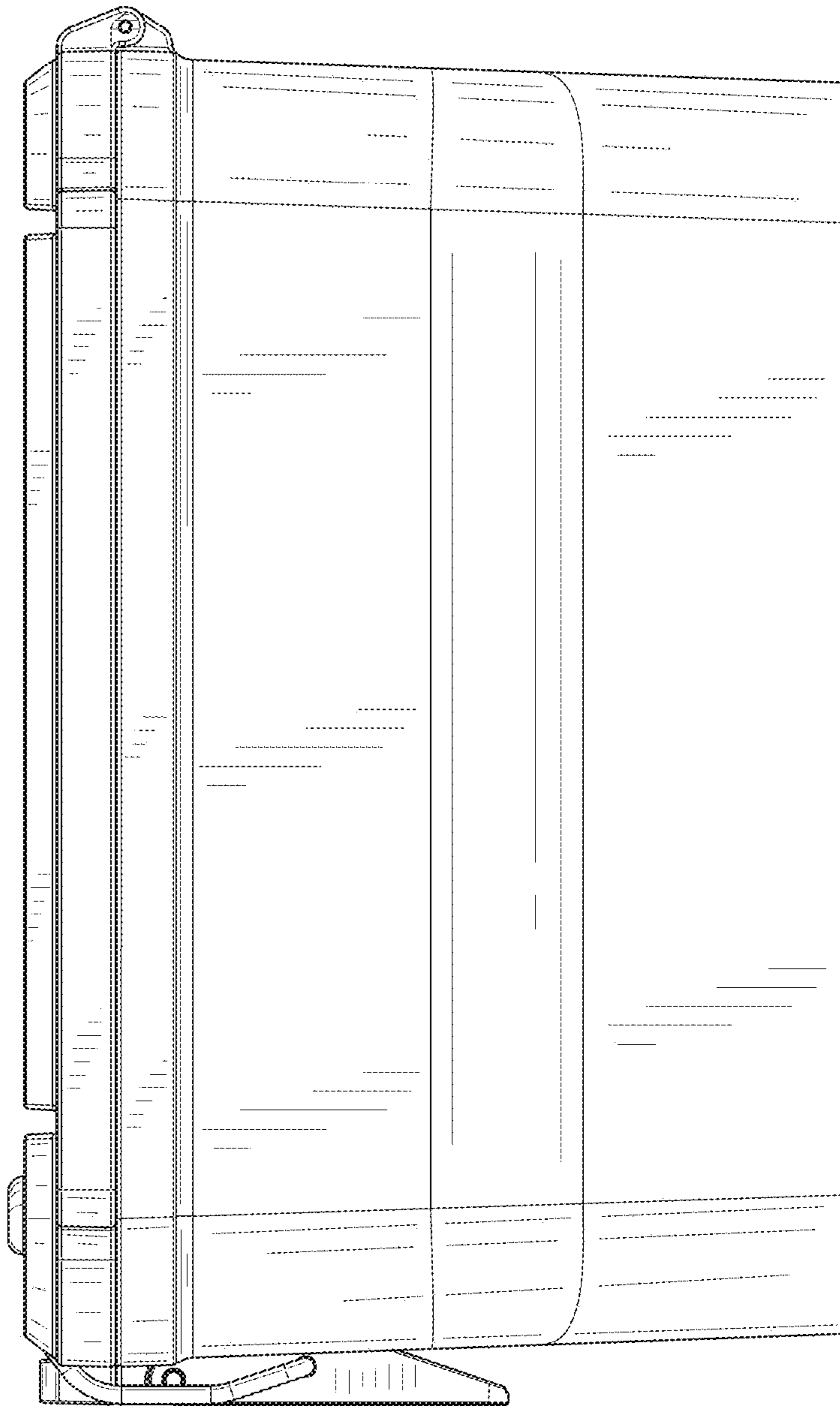


FIG. 3

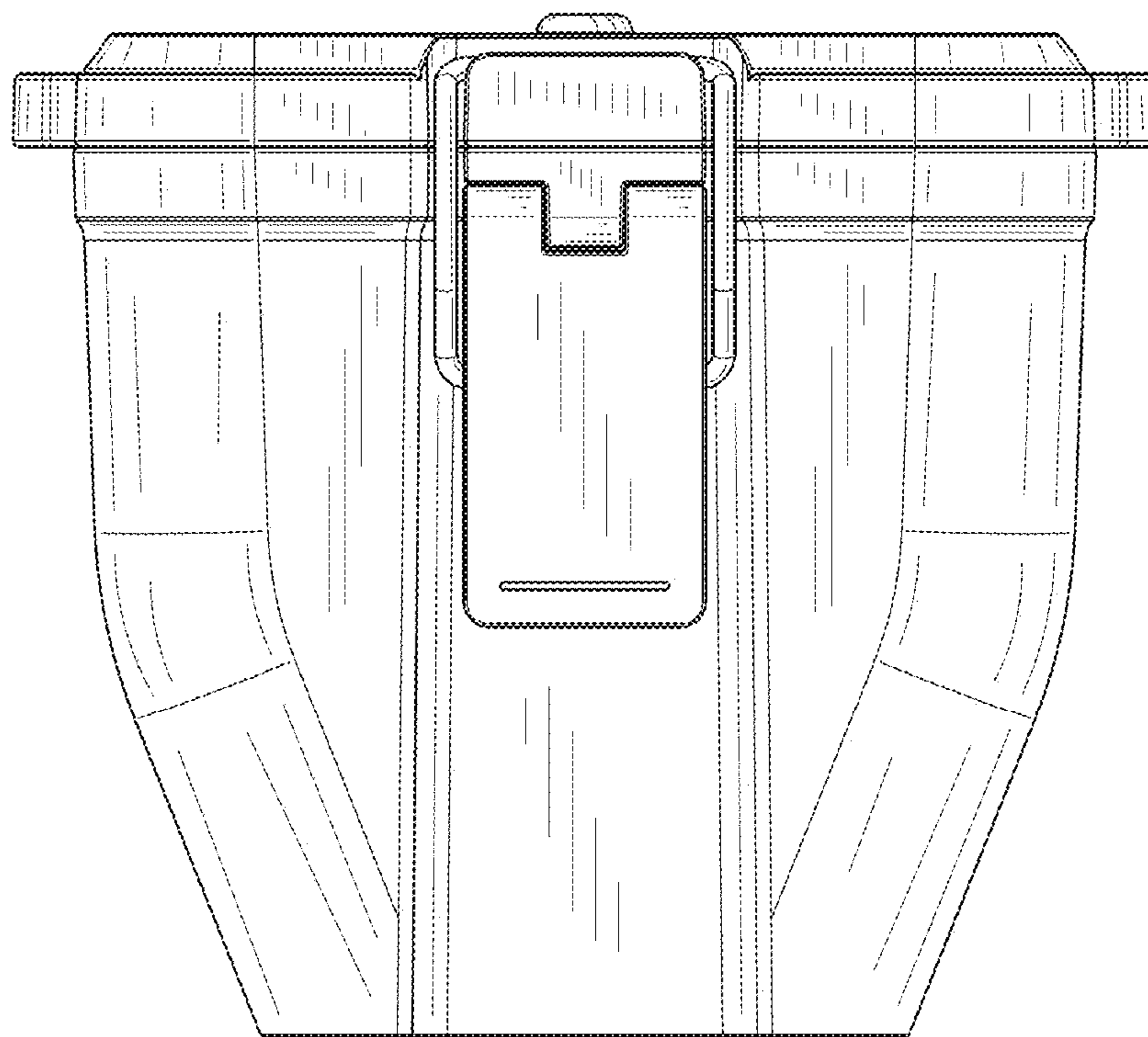


FIG. 4

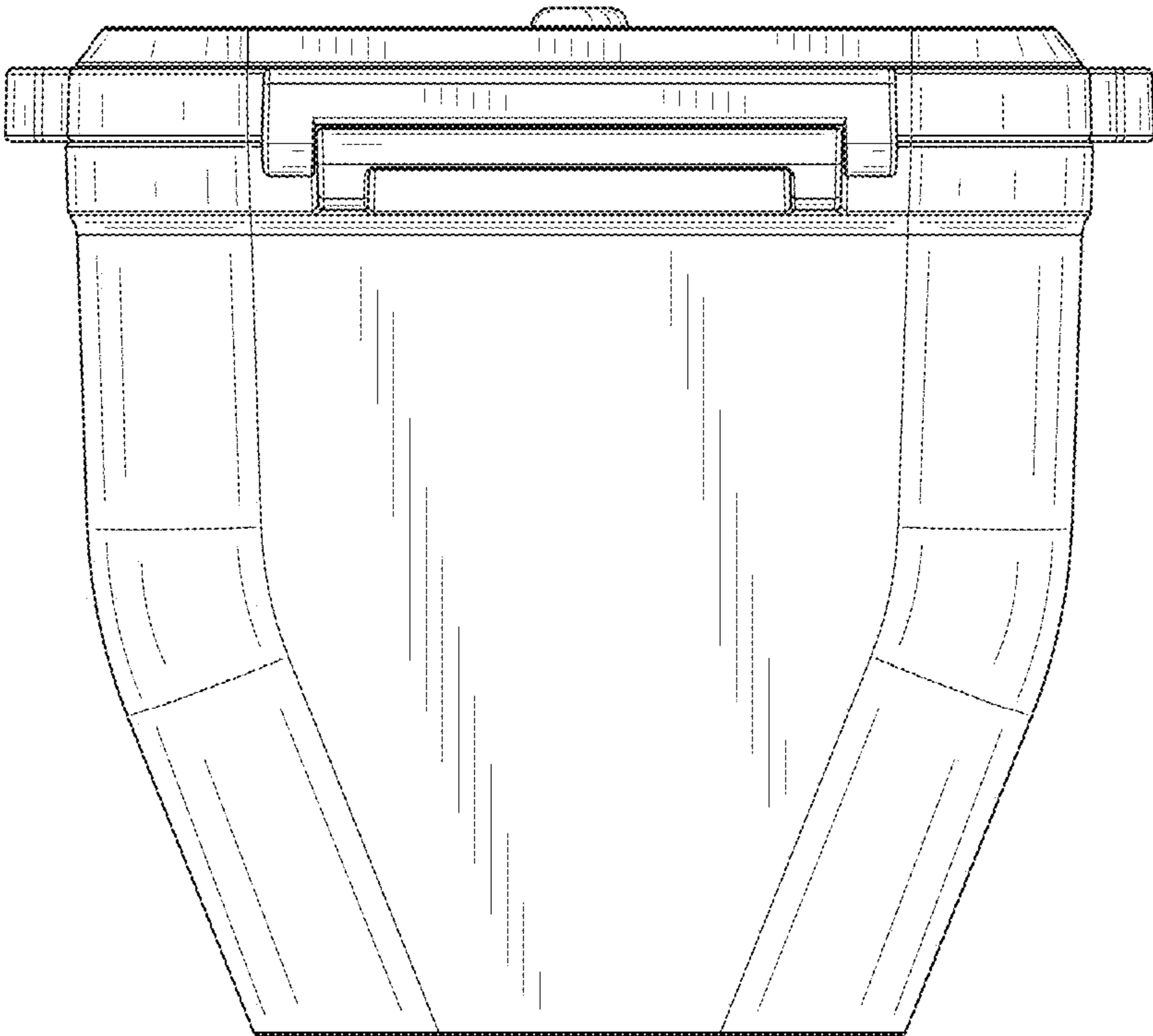


FIG. 5

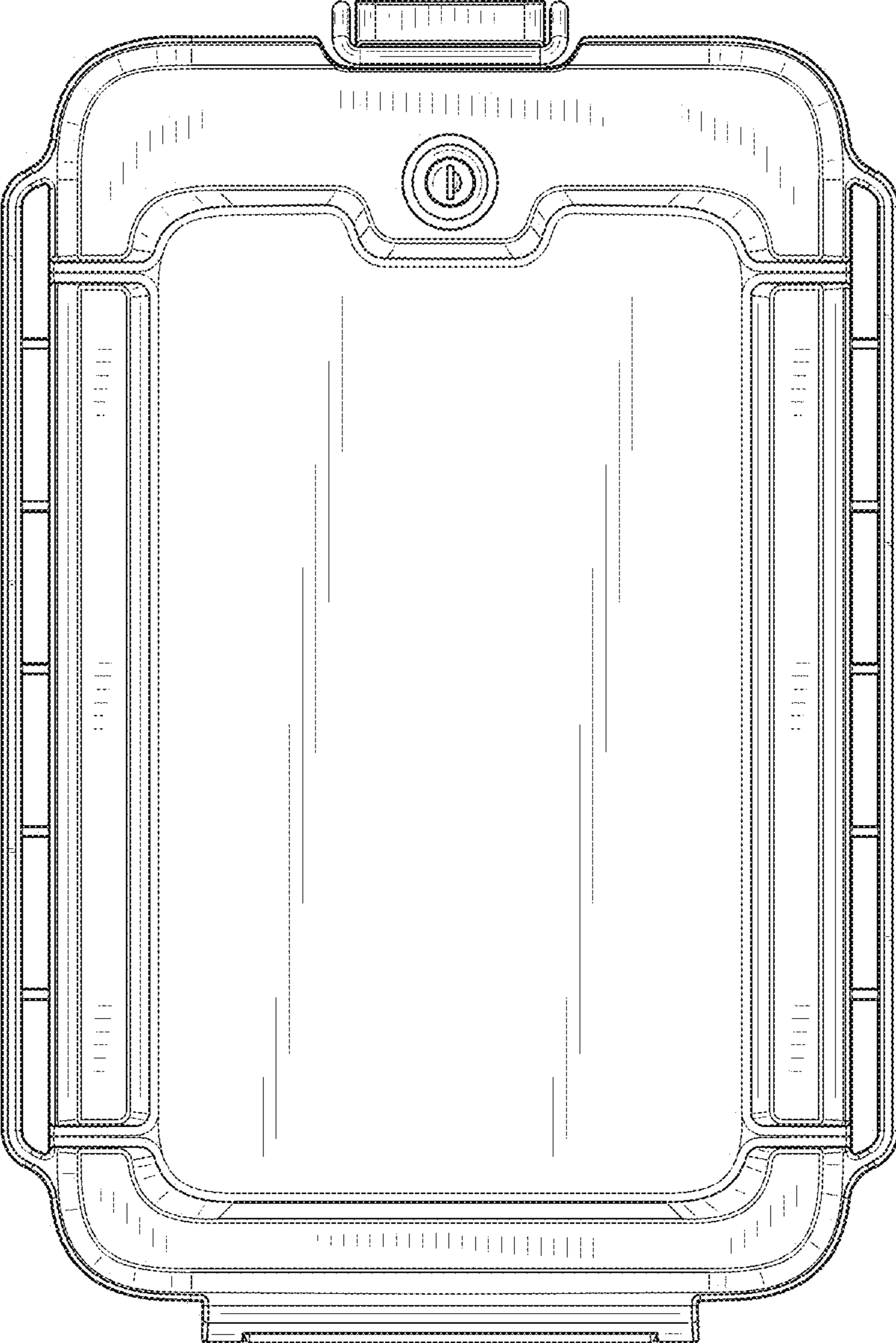


FIG. 6

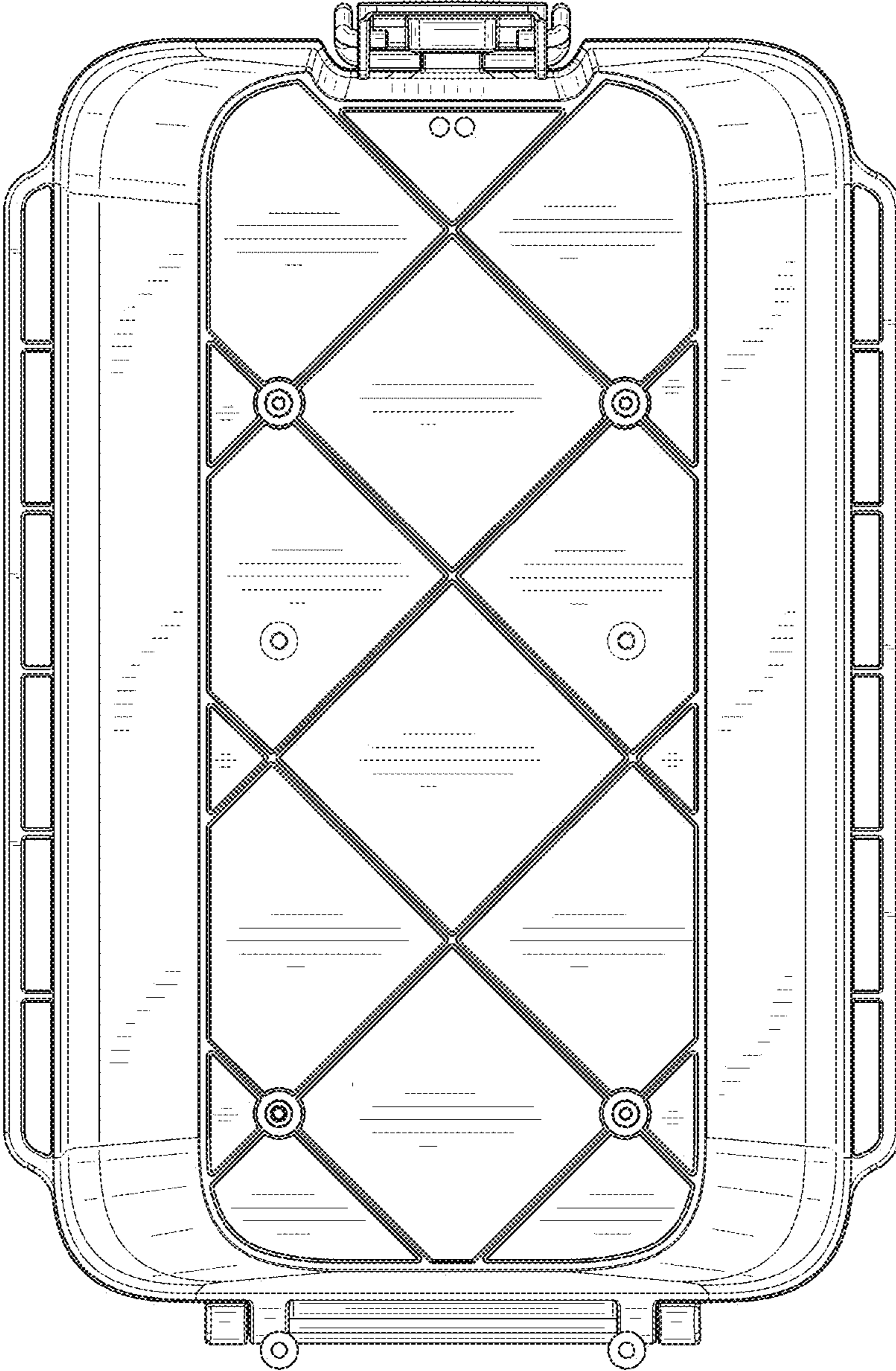


FIG. 7