



US00D975621S

(12) **United States Design Patent**  
**Gray et al.**

(10) **Patent No.: US D975,621 S**  
(45) **Date of Patent: \*\* Jan. 17, 2023**

(54) **PANNIER FOR A BICYCLE**

D778,599 S \* 2/2017 Heyman ..... D3/243  
D809,795 S \* 2/2018 Law ..... D3/279  
D908,345 S \* 1/2021 He ..... D3/201

(71) Applicant: **Rad Power Bikes Inc.**, Seattle, WA  
(US)

FOREIGN PATENT DOCUMENTS

(72) Inventors: **Joe Gray**, Seattle, WA (US); **Jake Silsby**, Seattle, WA (US); **Jed McCann**, Seattle, WA (US)

GB 6175441 \* 11/2021

\* cited by examiner

(73) Assignee: **RAD POWER BIKES INC.**, Seattle, WA (US)

*Primary Examiner* — Joseph Kukella

*Assistant Examiner* — Lavon M. Amerson

(74) *Attorney, Agent, or Firm* — AMPACC Law Group PLLC

(\*\*) Term: **15 Years**

(21) Appl. No.: **29/784,205**

(57) **CLAIM**

The ornamental design for a pannier for a bicycle, as shown and described.

(22) Filed: **May 18, 2021**

(51) **LOC (14) Cl.** ..... **03-01**

(52) **U.S. Cl.**

USPC ..... **D12/407**

(58) **Field of Classification Search**

USPC ..... D12/114, 119, 407, 409, 410; D3/201, D3/231, 243, 273

CPC ..... B62J 9/00; B62J 7/00

See application file for complete search history.

**DESCRIPTION**

FIG. 1 is a perspective view thereof;

FIG. 2 is a front view thereof;

FIG. 3 is a back view thereof;

FIG. 4 is a left-side view thereof;

FIG. 5 is a right-side view thereof;

FIG. 6 is a top plan view thereof; and,

FIG. 7 is a bottom plan view thereof.

The evenly dashed-lines represent the remainder of the article and do not form part of the claimed design, are directed to environment, and represent unclaimed subject matter.

(56) **References Cited**

U.S. PATENT DOCUMENTS

D502,597 S \* 3/2005 Eastman ..... D3/273  
D589,703 S \* 4/2009 Wenchel ..... D3/273  
D675,017 S \* 1/2013 Van Overbeke ..... D3/276

**1 Claim, 7 Drawing Sheets**





FIG. 1



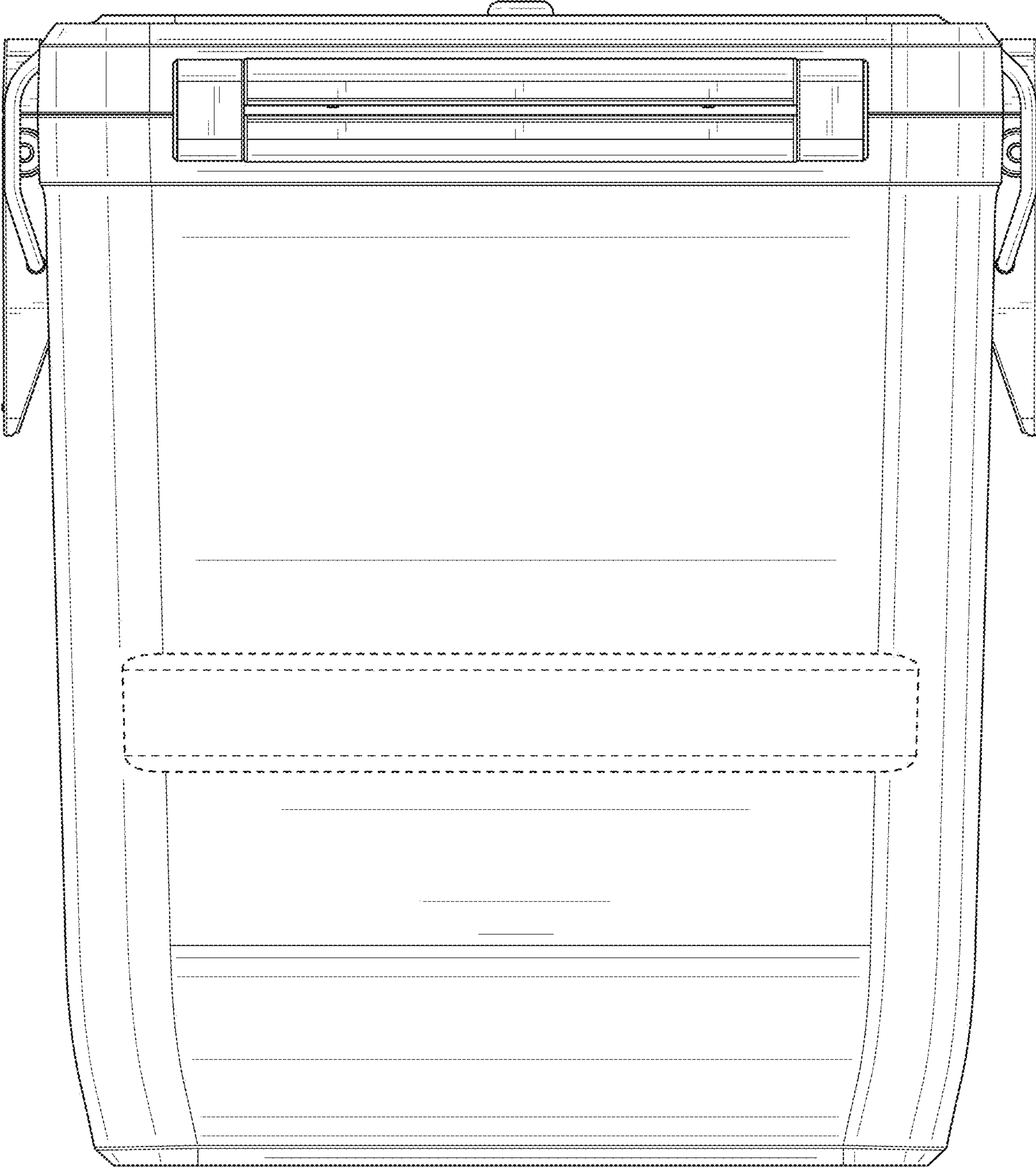


FIG. 2

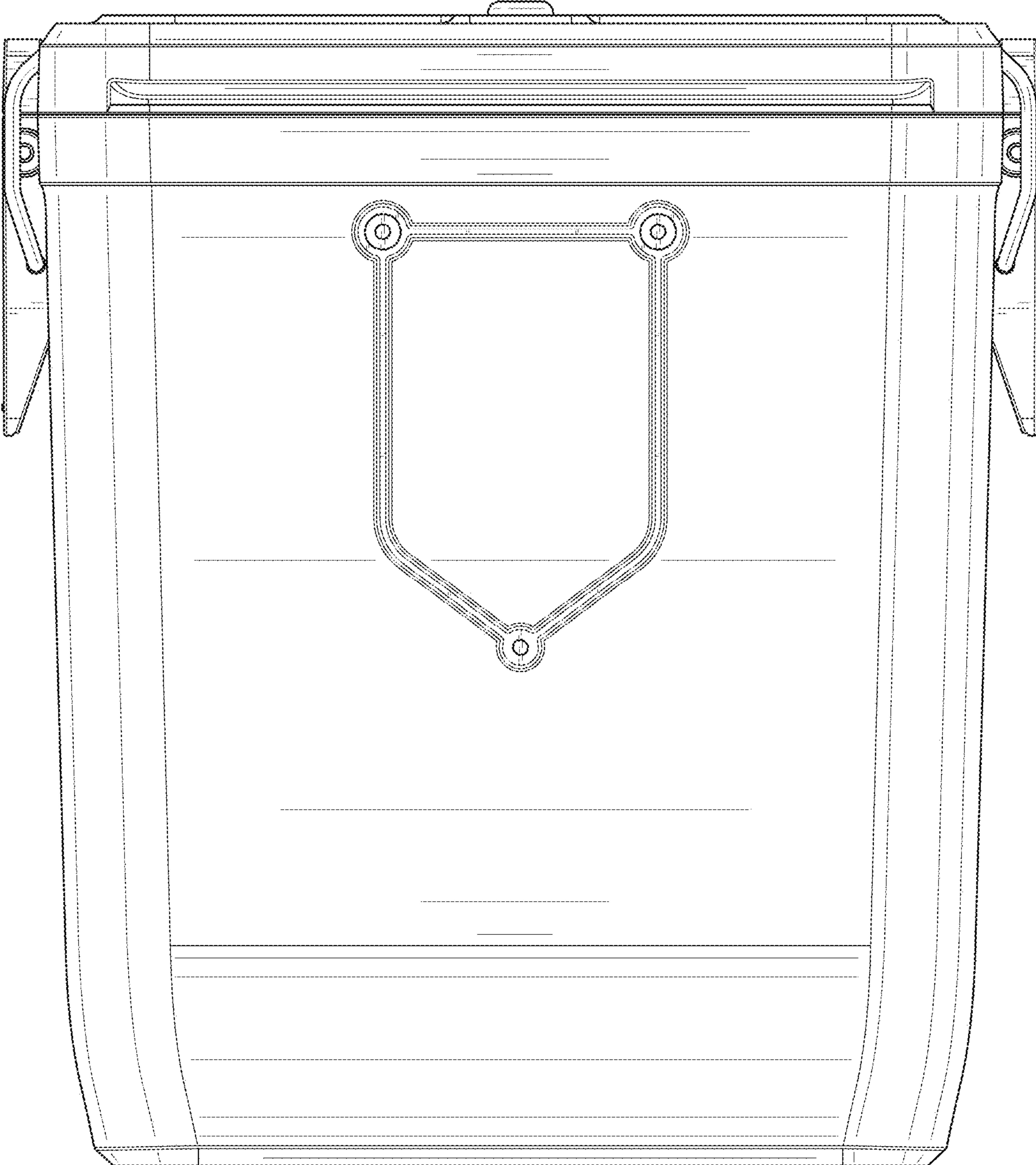


FIG. 3

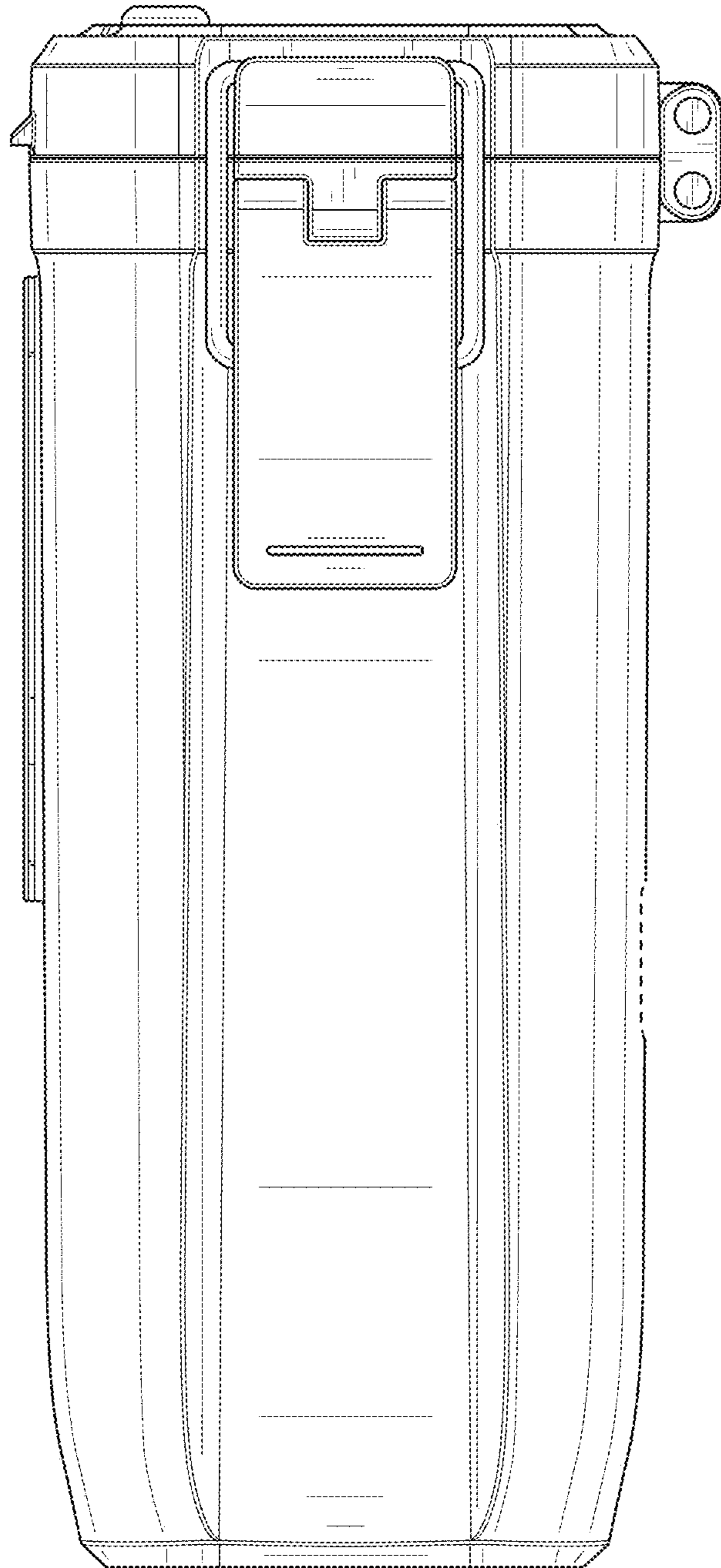


FIG. 4

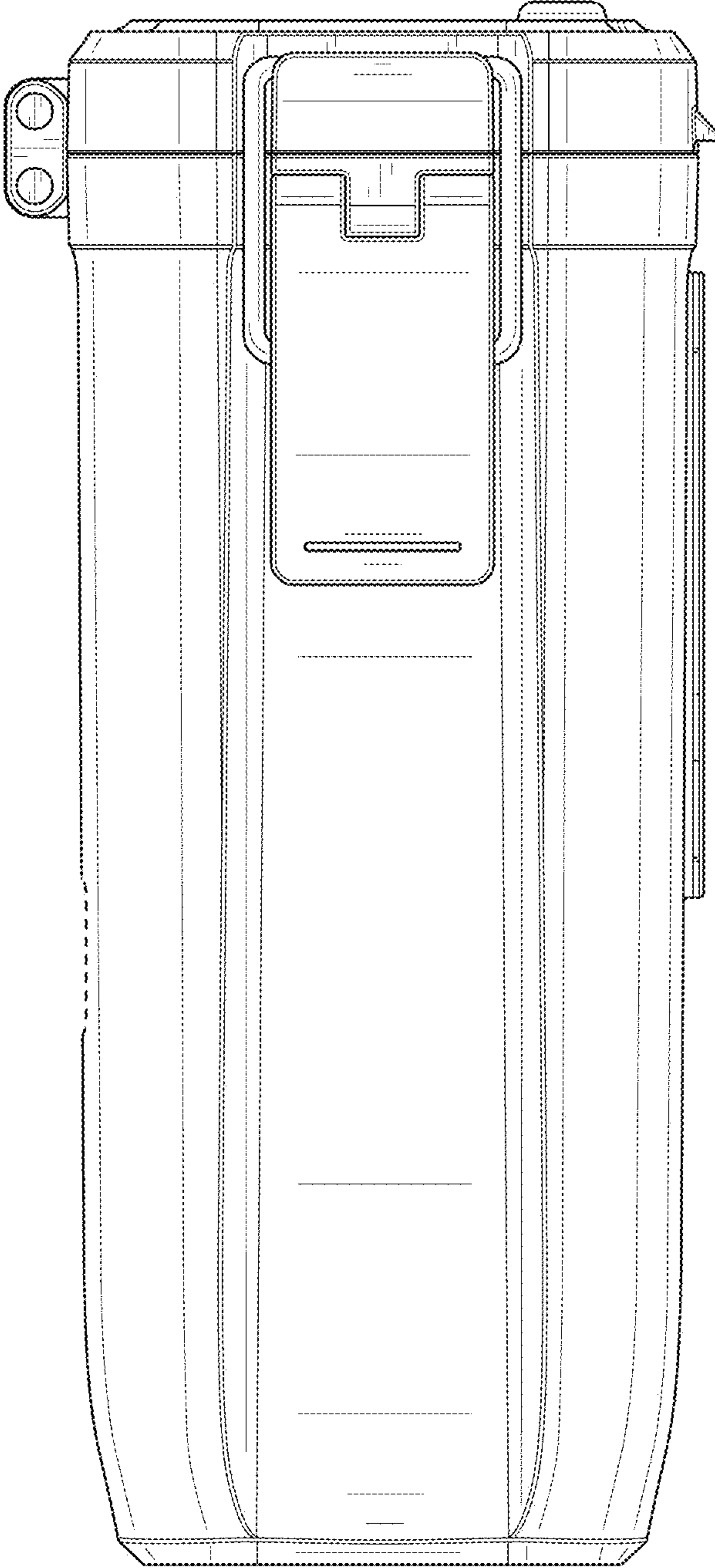


FIG. 5

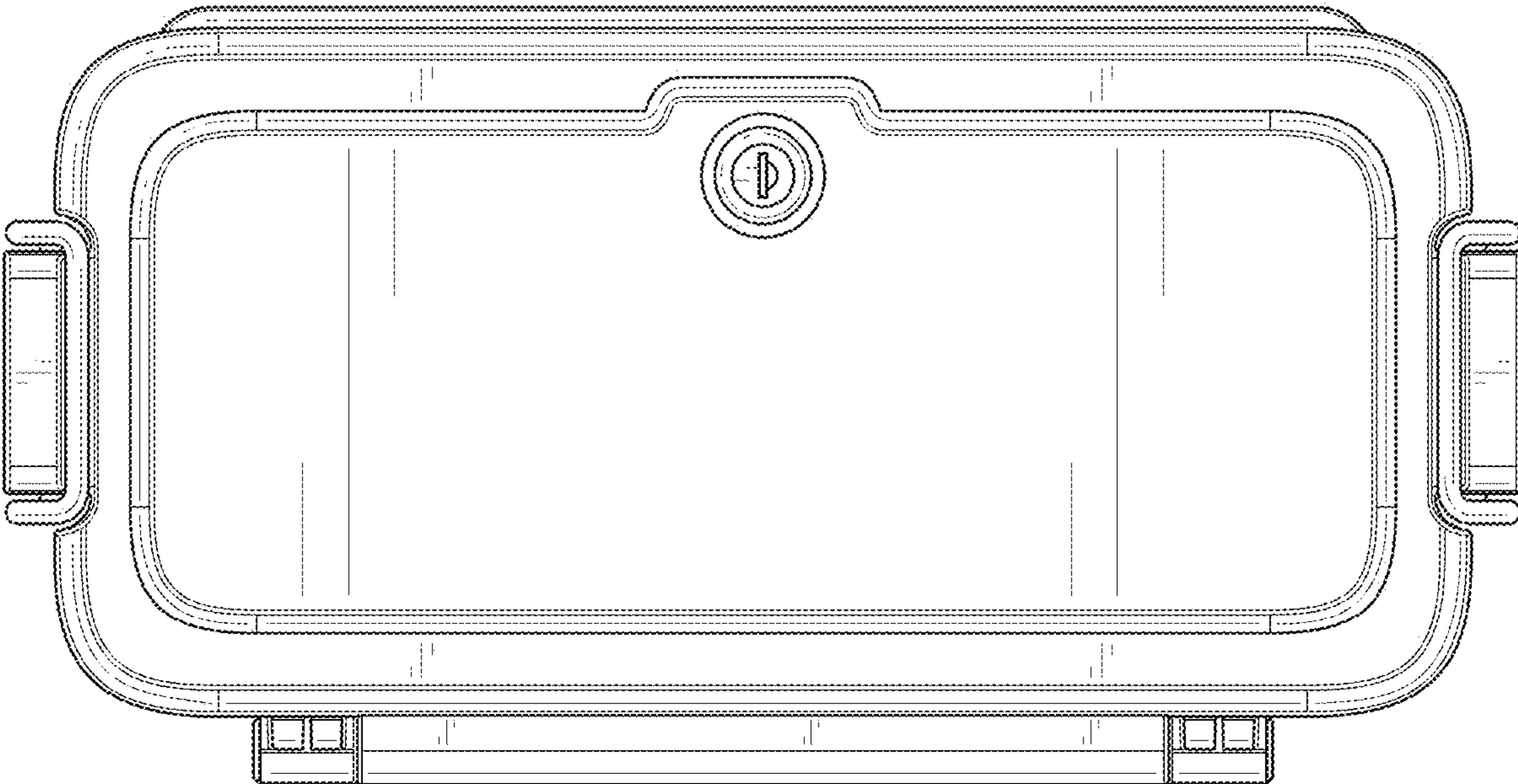


FIG. 6



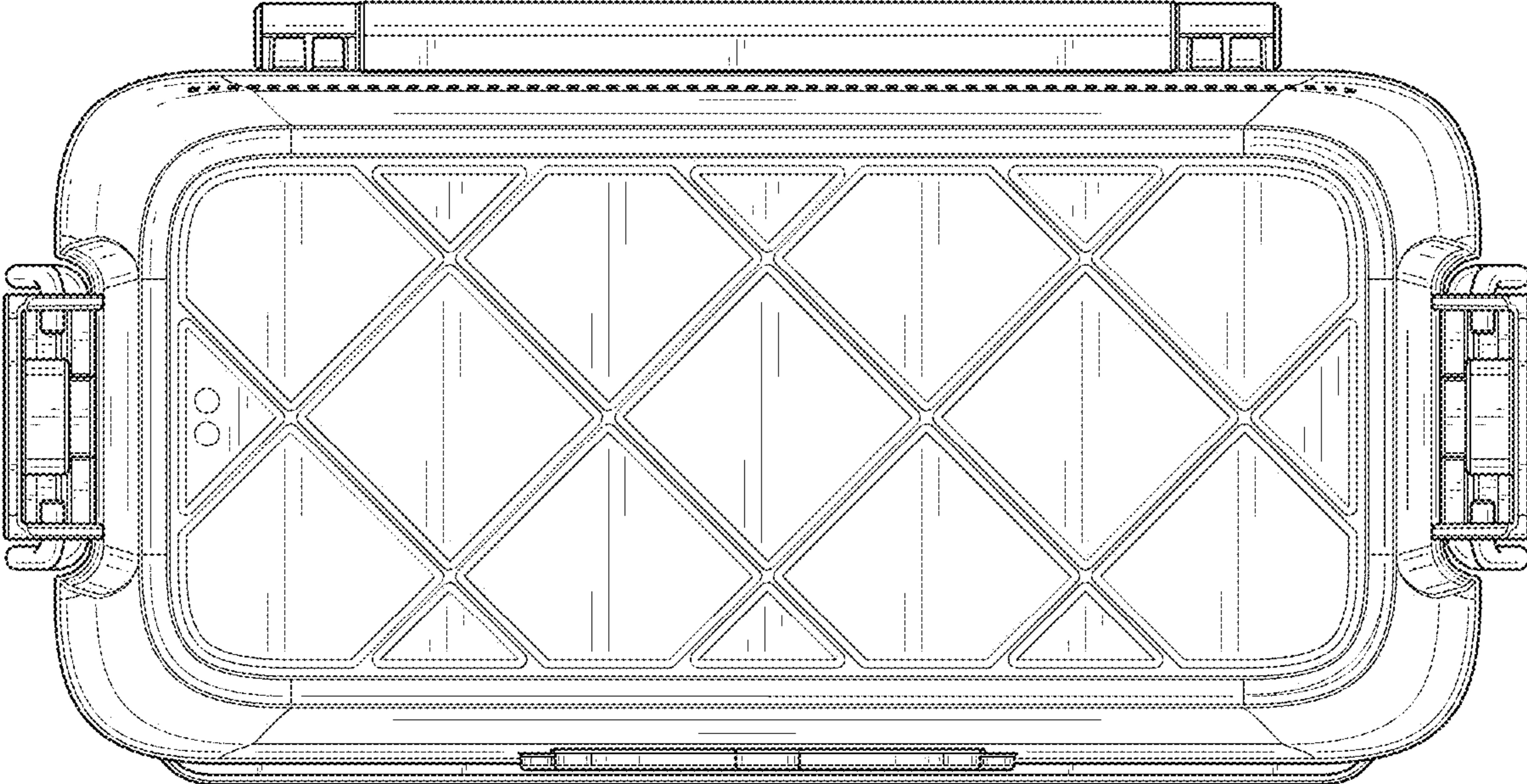


FIG. 7