



US00D975617S

(12) **United States Design Patent**
Lin et al.

(10) **Patent No.:** **US D975,617 S**
(45) **Date of Patent:** **** Jan. 17, 2023**

(54) **WHEEL**
(71) Applicant: **Gogoro Inc.**, Wanchai (HK)
(72) Inventors: **Shih-Yuan Lin**, Taoyuan (TW);
Kuang-I Yen, Taoyuan (TW);
Hsin-Wen Su, Taoyuan (TW)
(73) Assignee: **Gogoro Inc.**, Wanchai (HK)
(**) Term: **15 Years**
(21) Appl. No.: **29/692,439**
(22) Filed: **May 24, 2019**
(51) **LOC (14) Cl.** **12-16**
(52) **U.S. Cl.**
USPC **D12/204**
(58) **Field of Classification Search**
USPC D12/204–213; D21/563
CPC B60B 7/00; B60B 7/02; B60B 7/04; B60B
7/01; B60B 7/06; B60B 3/02; B60B 3/04;
B60B 3/06; B60B 3/10; B60B 1/00;
B60B 1/08; B60B 1/10; B60B 1/12;
B60K 7/0007; B60K 2007/0038; B60K
2007/0092
See application file for complete search history.

(56) **References Cited**
U.S. PATENT DOCUMENTS
D267,167 S * 12/1982 Suzuki D12/205
D462,042 S * 8/2002 Bernardi D12/205
D596,547 S * 7/2009 Passarotto D12/205
9,586,648 B2 * 3/2017 Marioni B62M 6/65
D801,249 S * 10/2017 Biderman B60B 1/003
D12/207
D846,471 S * 4/2019 Jang B60K 7/0007
D12/205
D904,268 S * 12/2020 Lehman H02K 7/108
D12/209

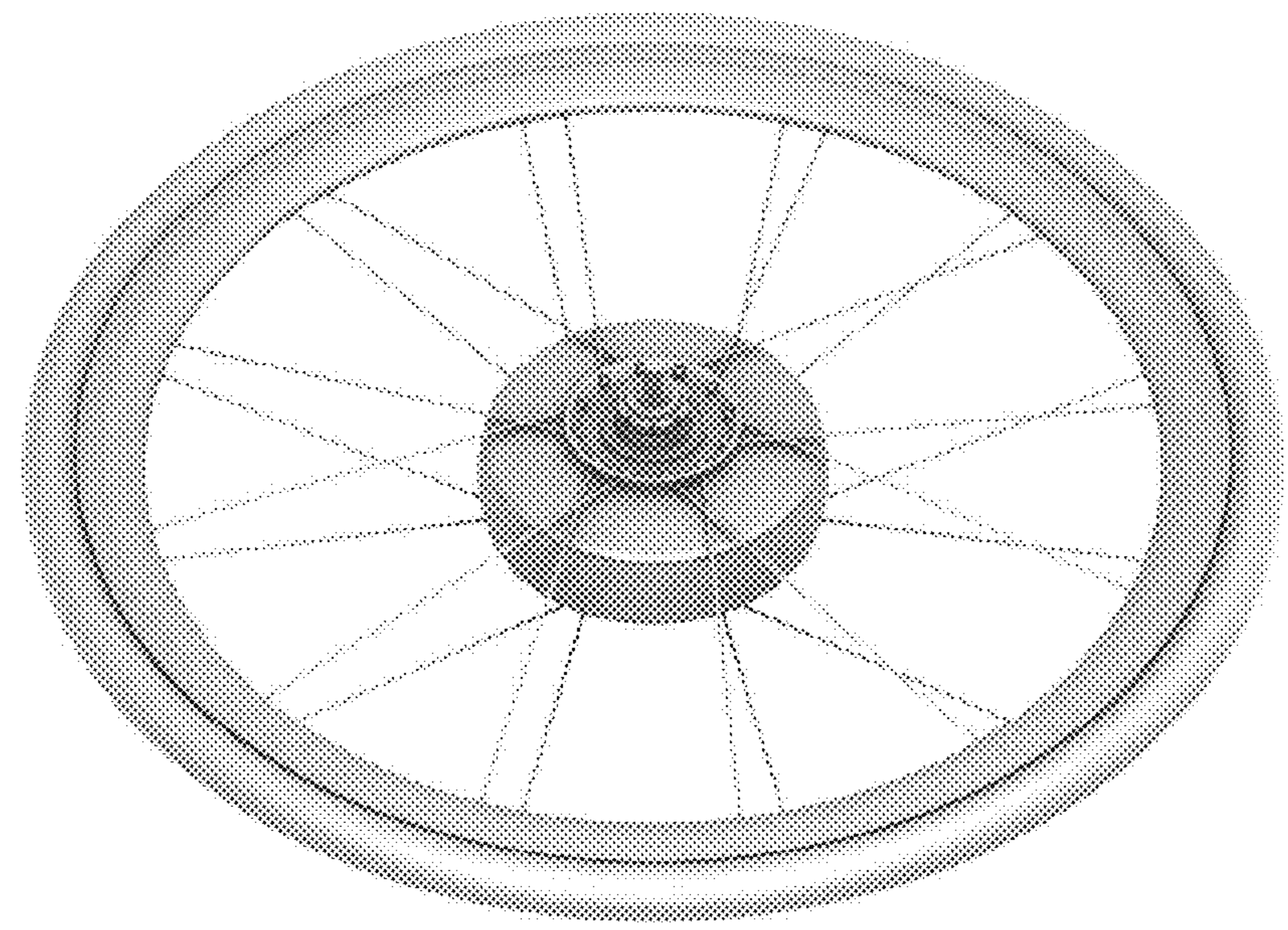
10,933,945 B2 * 3/2021 Lin B60L 53/16
D917,361 S * 4/2021 Lin B60L 53/16
D12/207
2011/0259658 A1 * 10/2011 Huang B60K 7/0007
180/65.51
2015/0266542 A1 * 9/2015 Marioni H02K 7/108
310/43
2016/0339994 A1 * 11/2016 Chen B60K 7/0007
2018/0056774 A1 * 3/2018 Chan B60K 17/145

* cited by examiner
Primary Examiner — Calvin E Vansant
(74) *Attorney, Agent, or Firm* — Banner & Witcoff, Ltd.

(57) **CLAIM**
The ornamental design for a wheel, as shown and described.

DESCRIPTION
FIG. 1 is a perspective view of a first embodiment for a wheel showing our new design;
FIG. 2 is a front elevational view thereof;
FIG. 3 is a rear elevational view thereof;
FIG. 4 is a left side elevational view thereof;
FIG. 5 is a right side elevational view thereof;
FIG. 6 is a top plan view thereof;
FIG. 7 is a bottom plan view thereof;
FIG. 8 is a front perspective view thereof;
FIG. 9 is a perspective view of a second embodiment for a wheel showing our new design;
FIG. 10 is a front elevational view thereof;
FIG. 11 is a rear elevational view thereof;
FIG. 12 is a left side elevational view thereof;
FIG. 13 is a right side elevational view thereof;
FIG. 14 is a top plan view thereof;
FIG. 15 is a bottom plan view thereof; and,
FIG. 16 is a front perspective view thereof.
The broken lines and the grayed-out regions represent features which form no part of the claimed design.

1 Claim, 16 Drawing Sheets



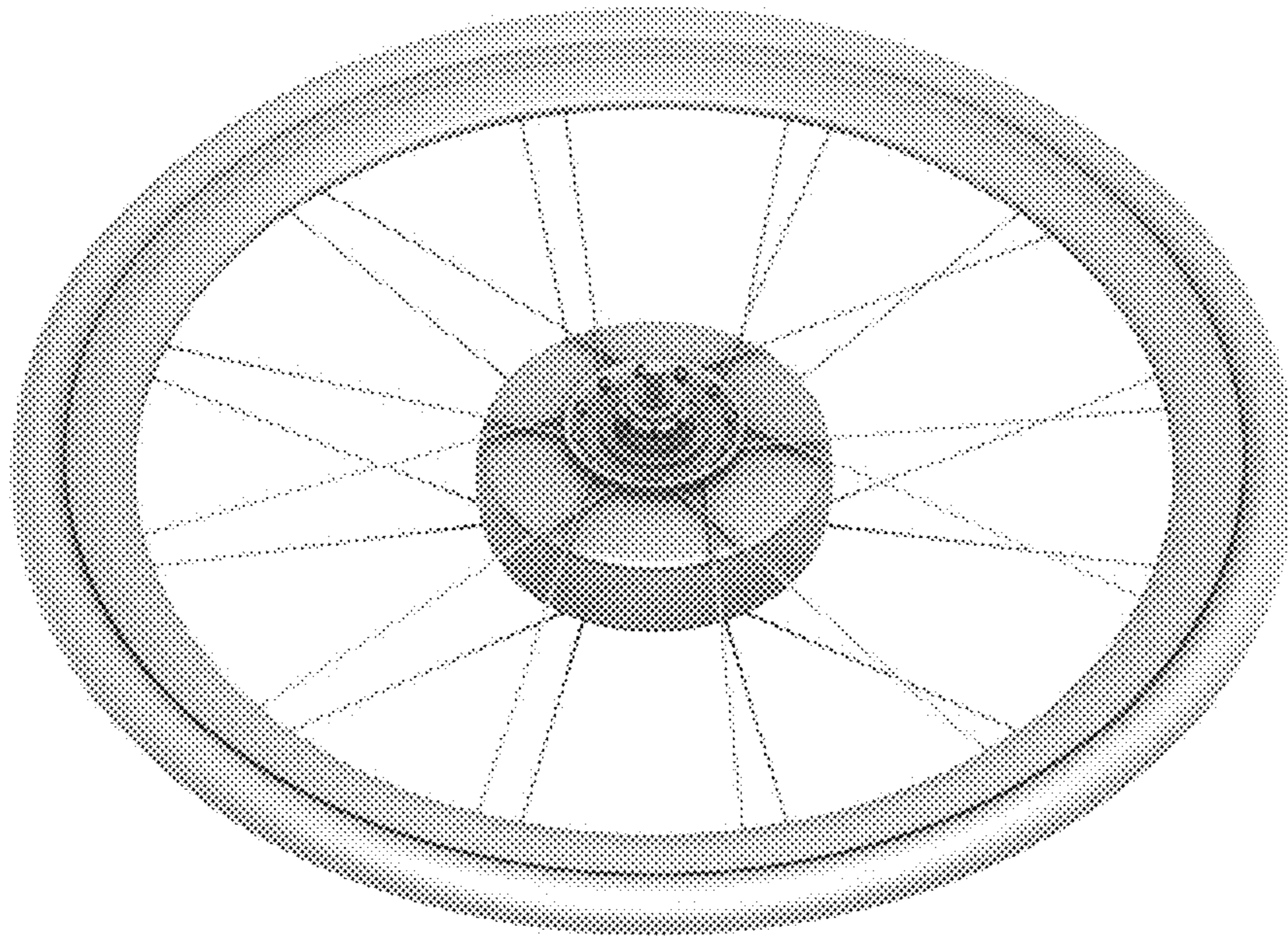


Fig. 1

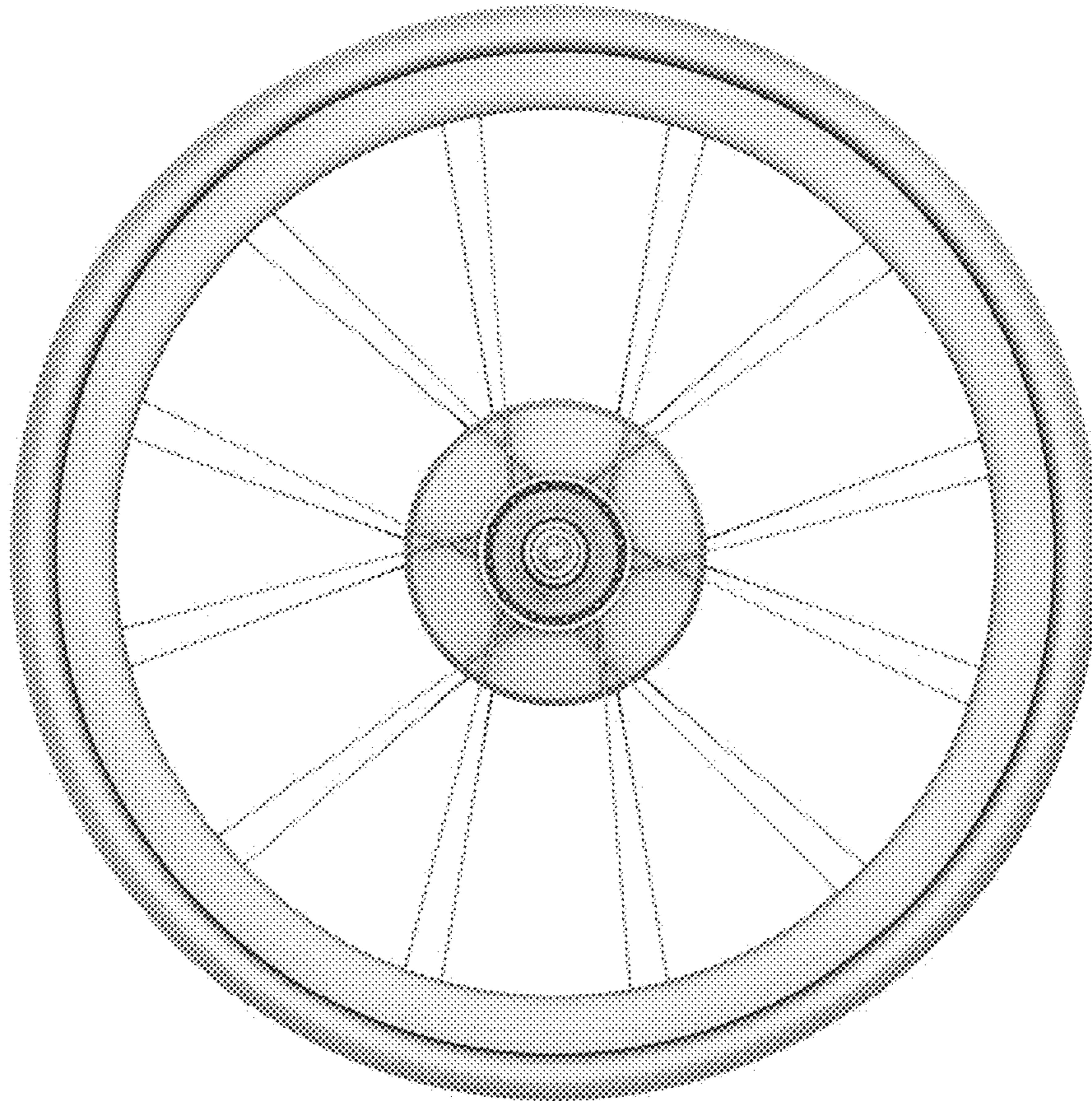


Fig. 2

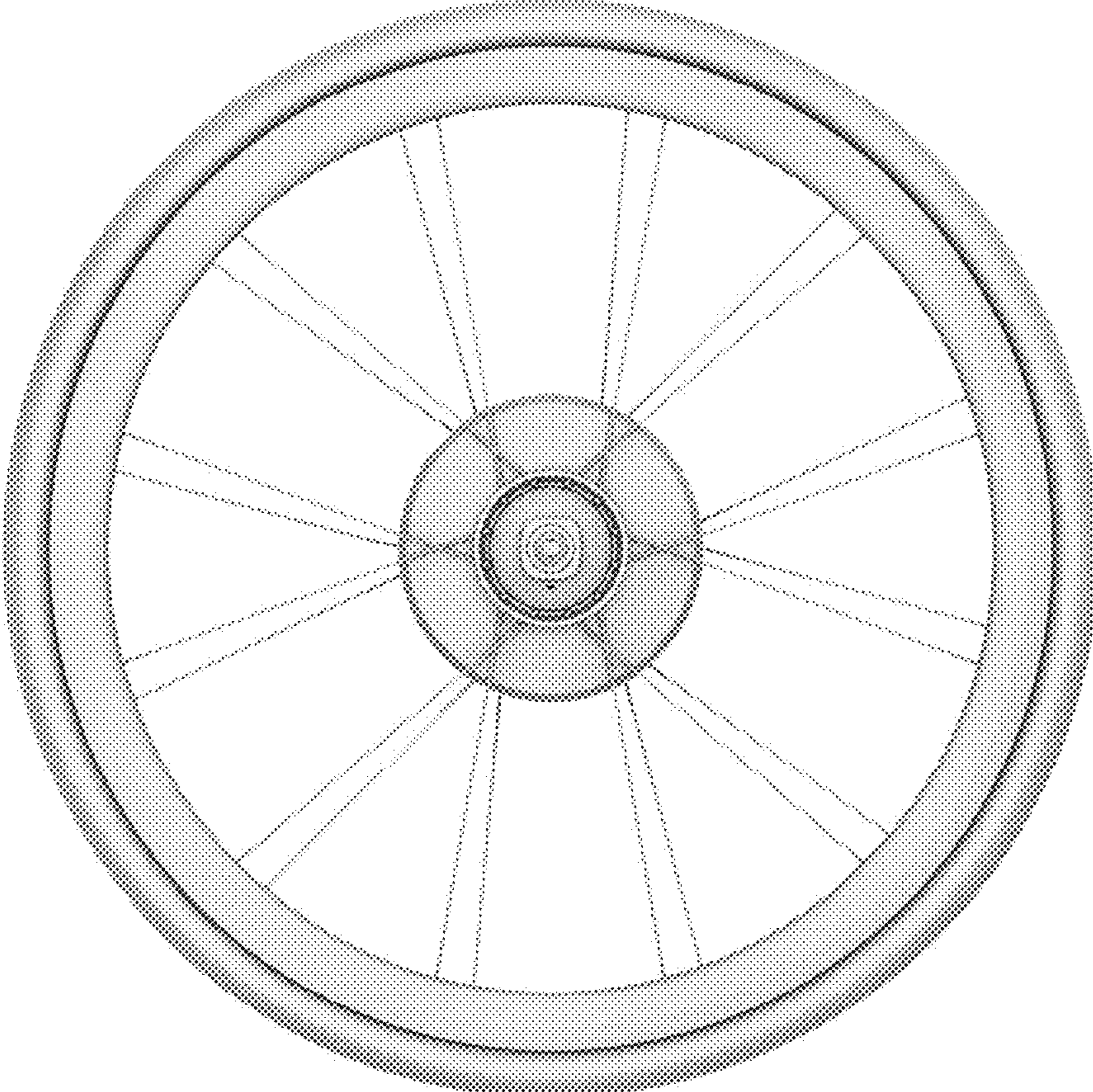


Fig. 3

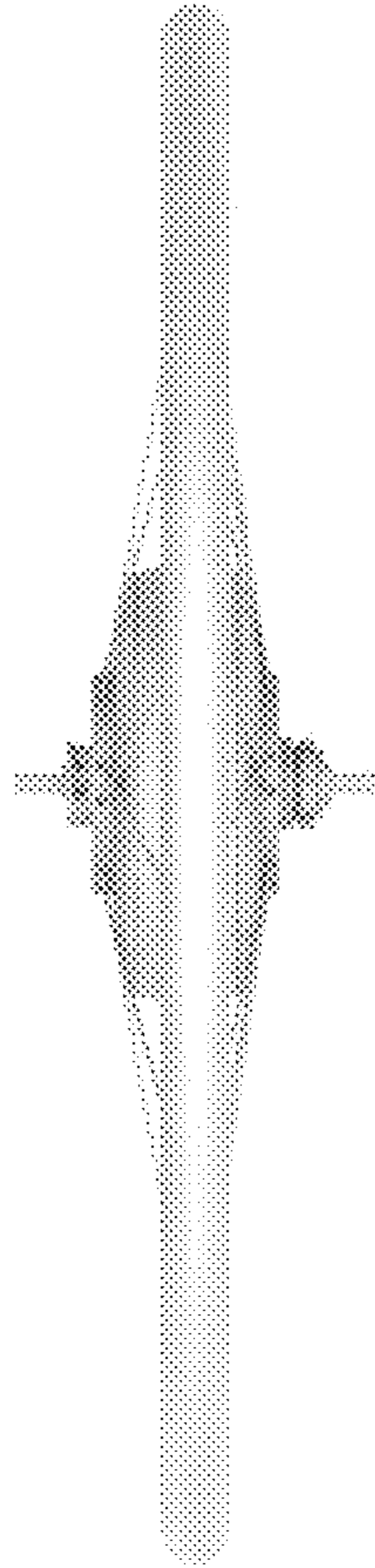


Fig. 4

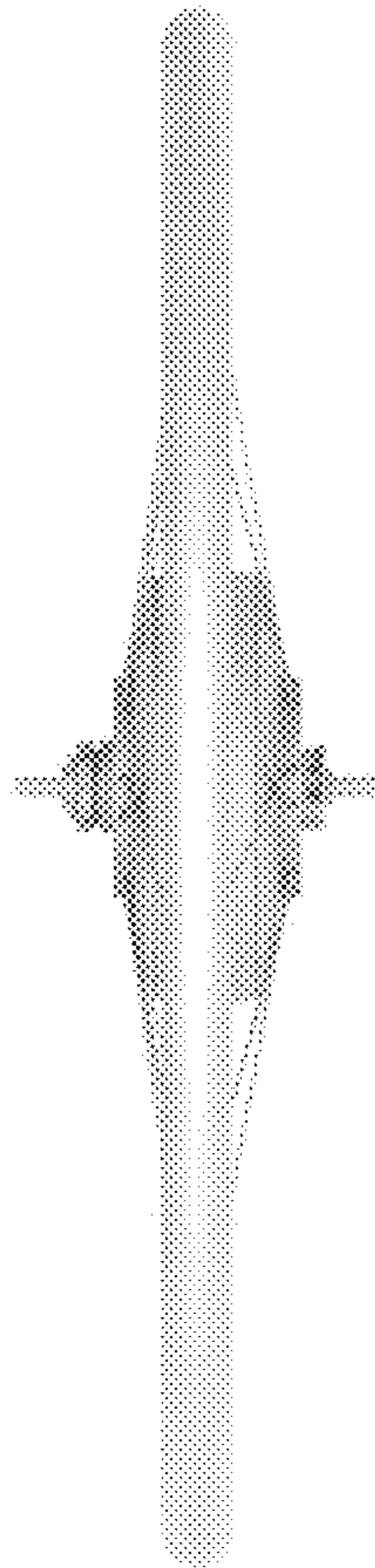


Fig. 5

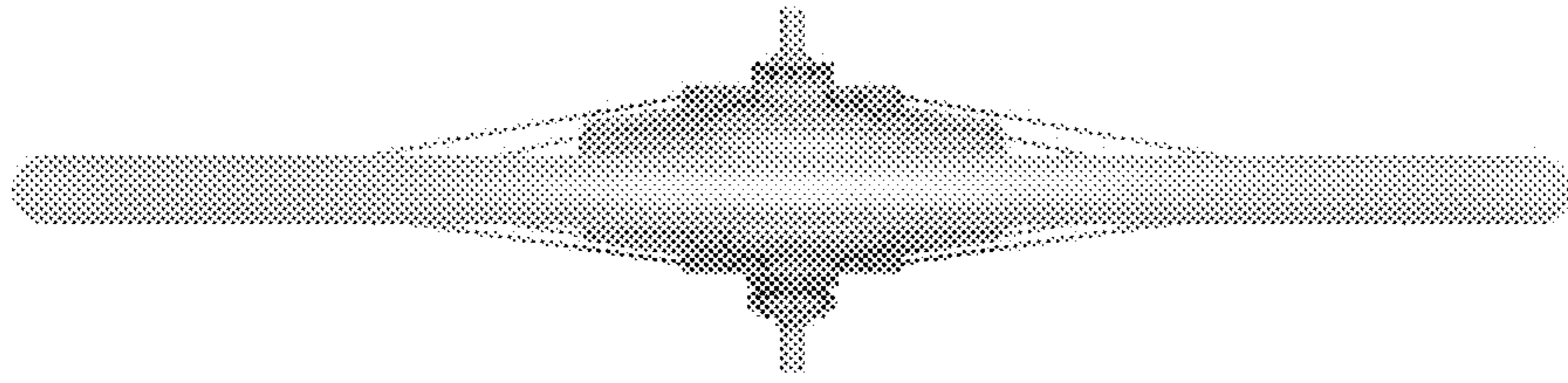


Fig. 6

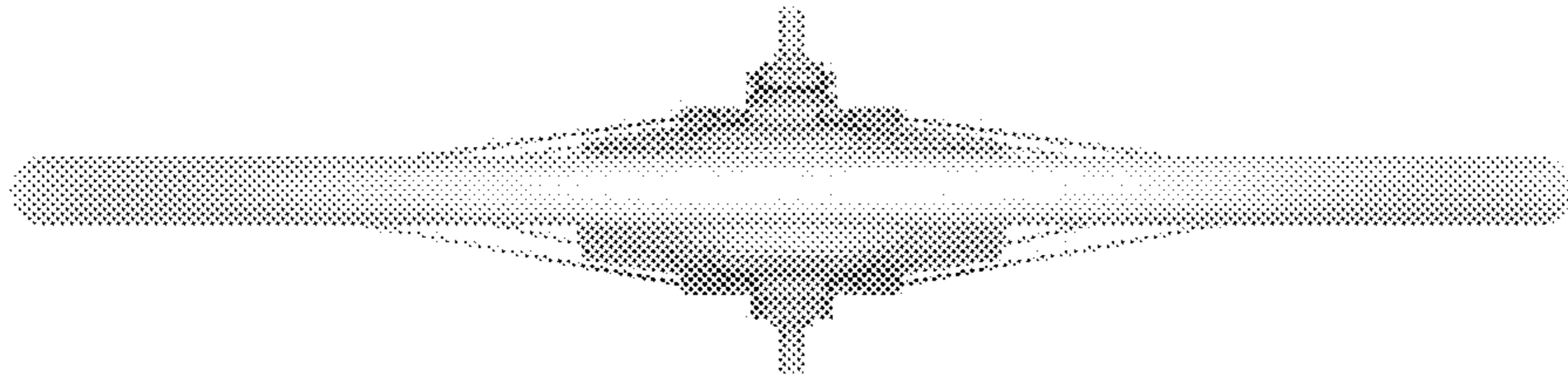


Fig. 7

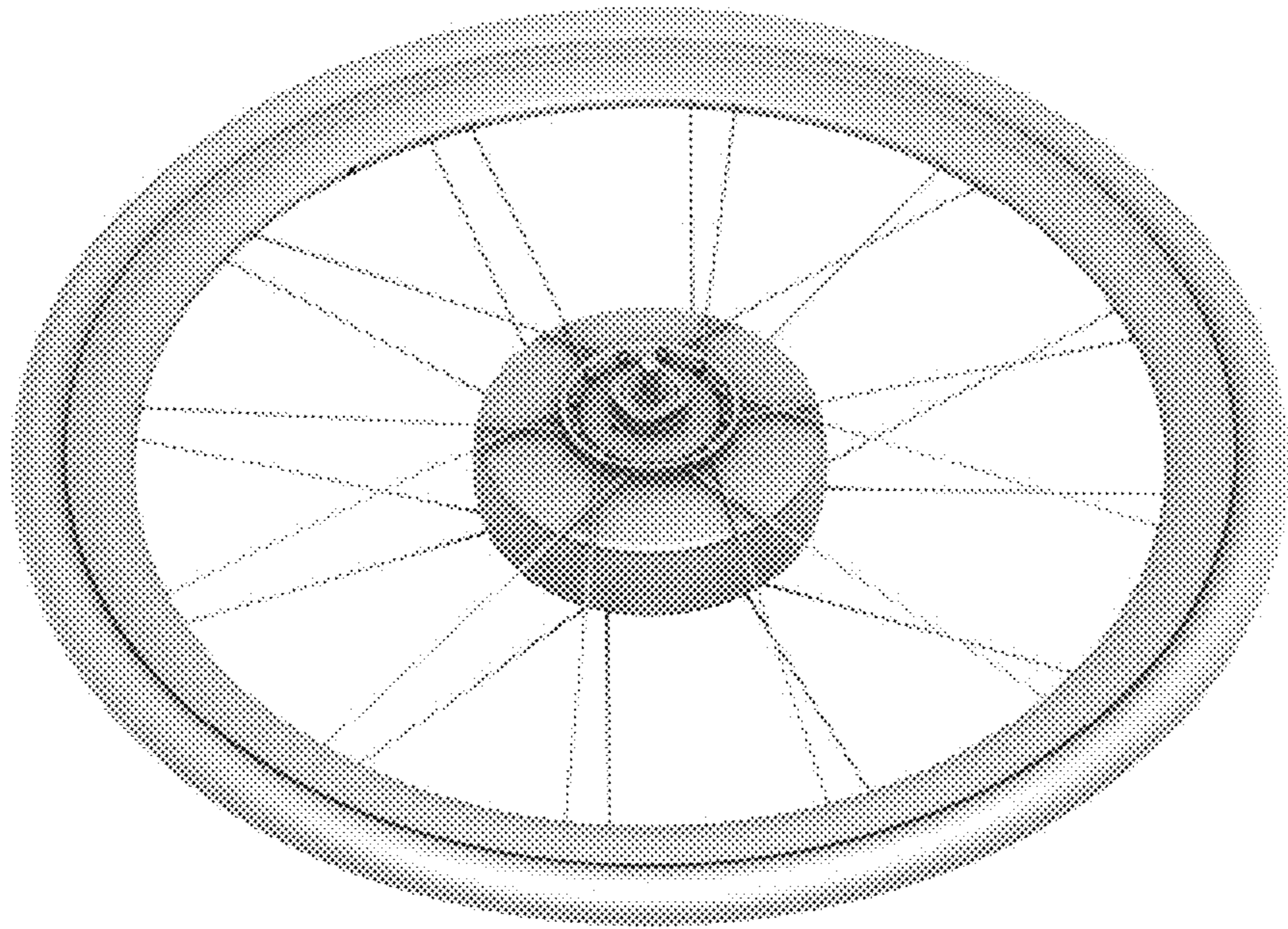


Fig. 8

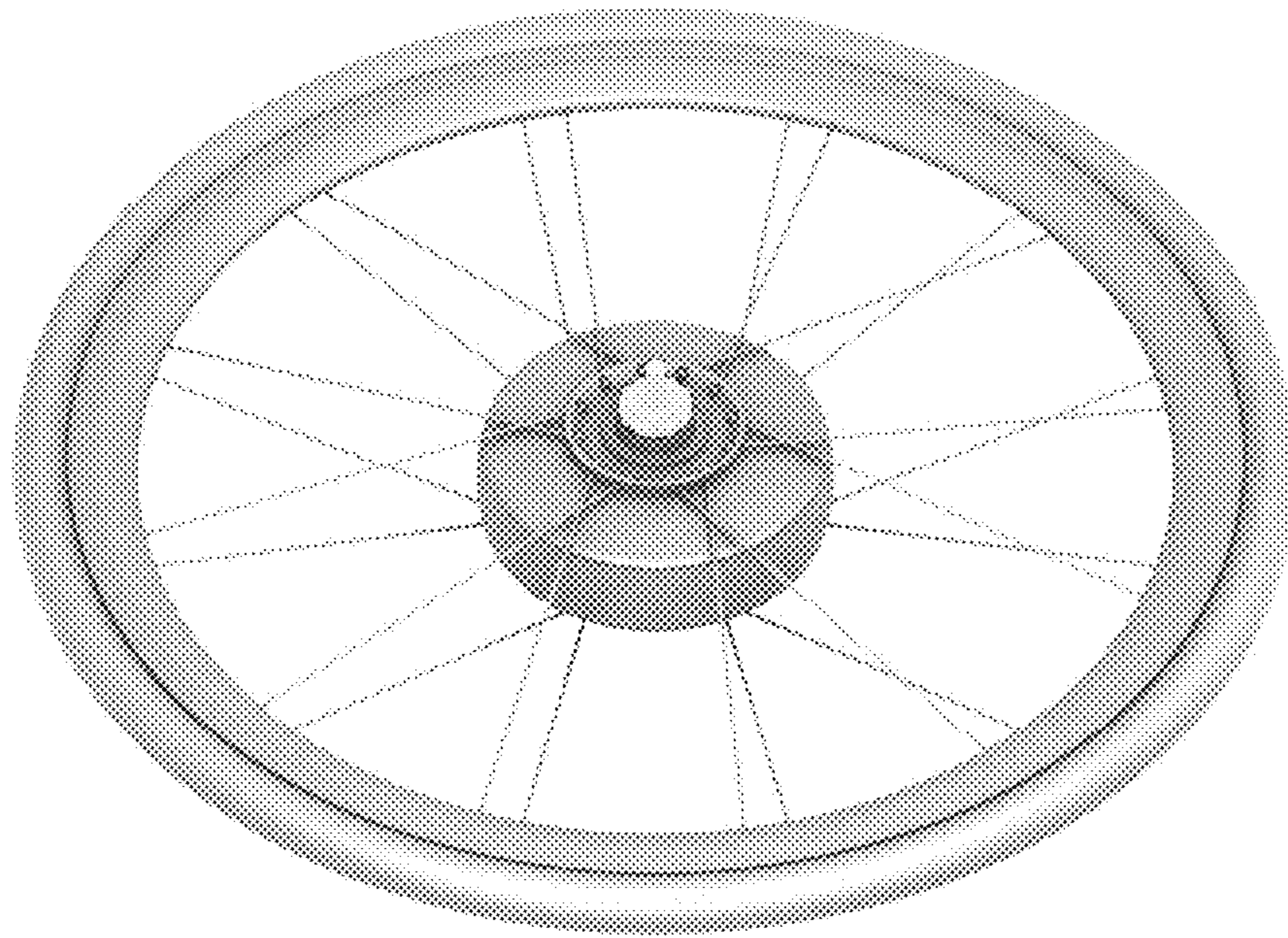


Fig. 9

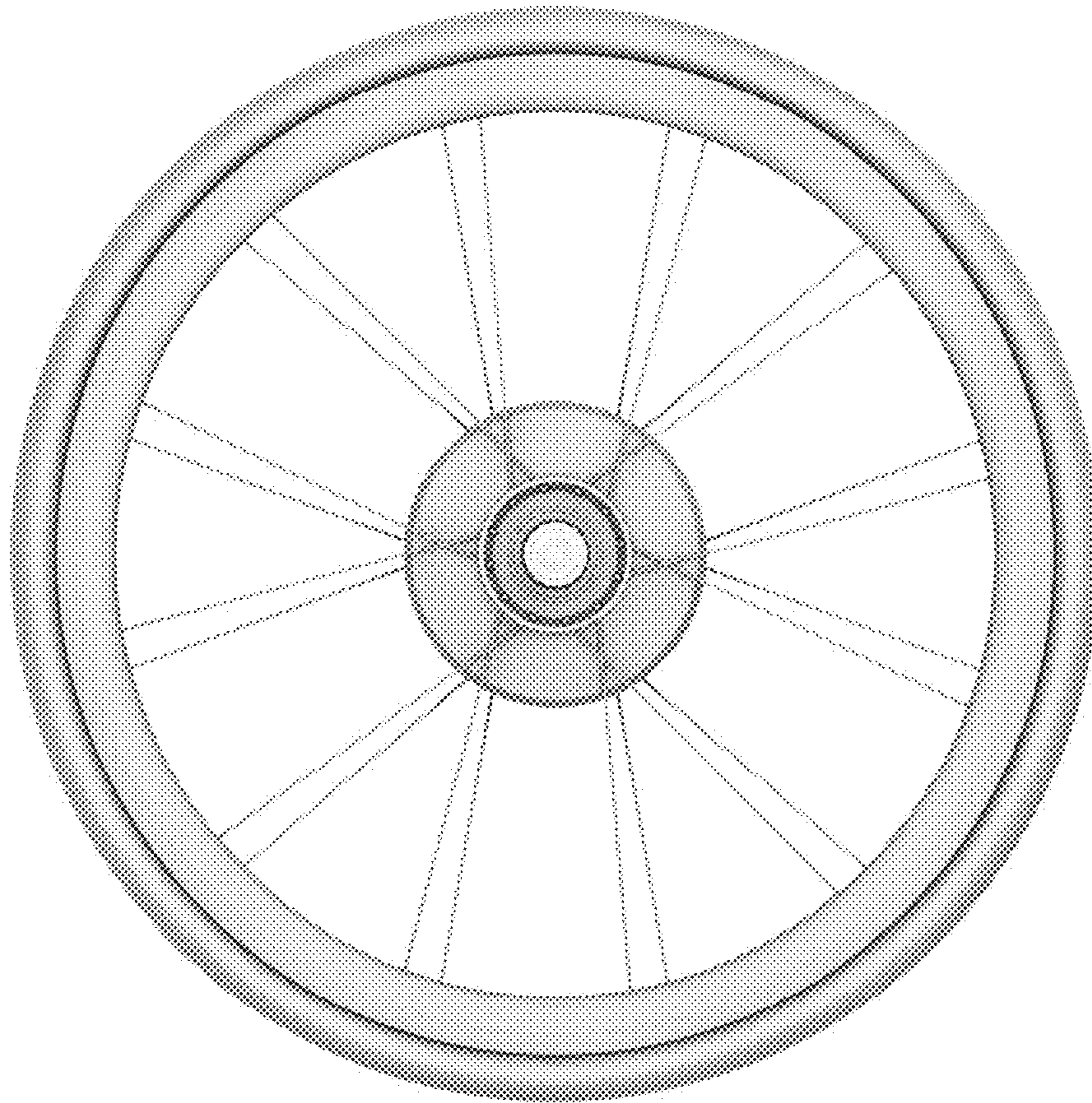


Fig. 10

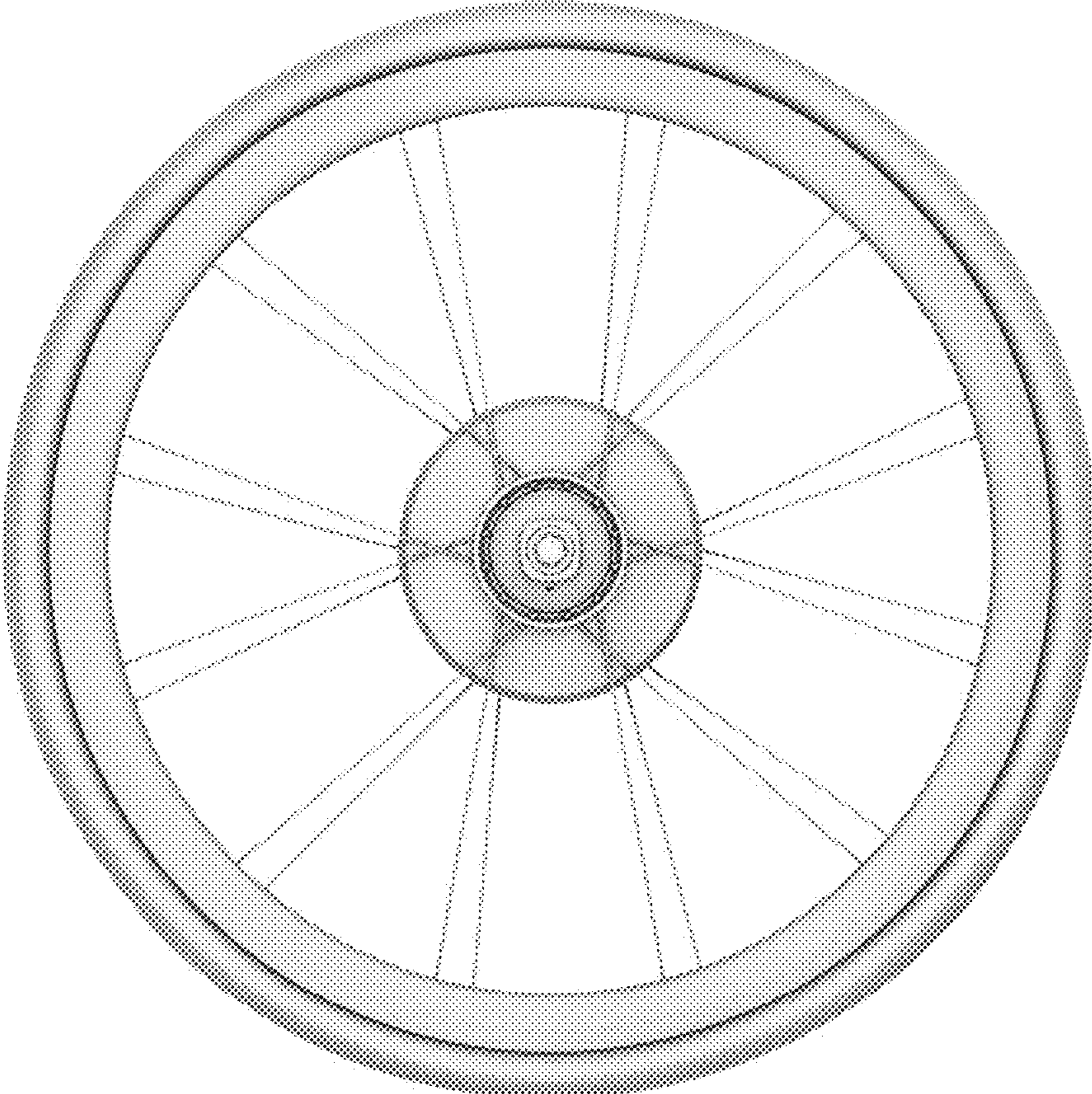


Fig. 11

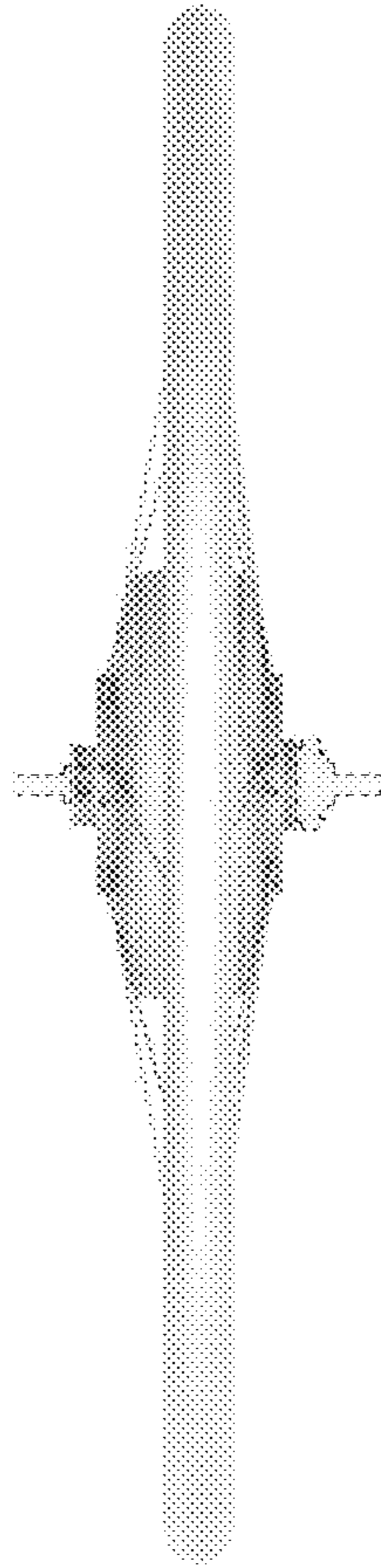


Fig. 12

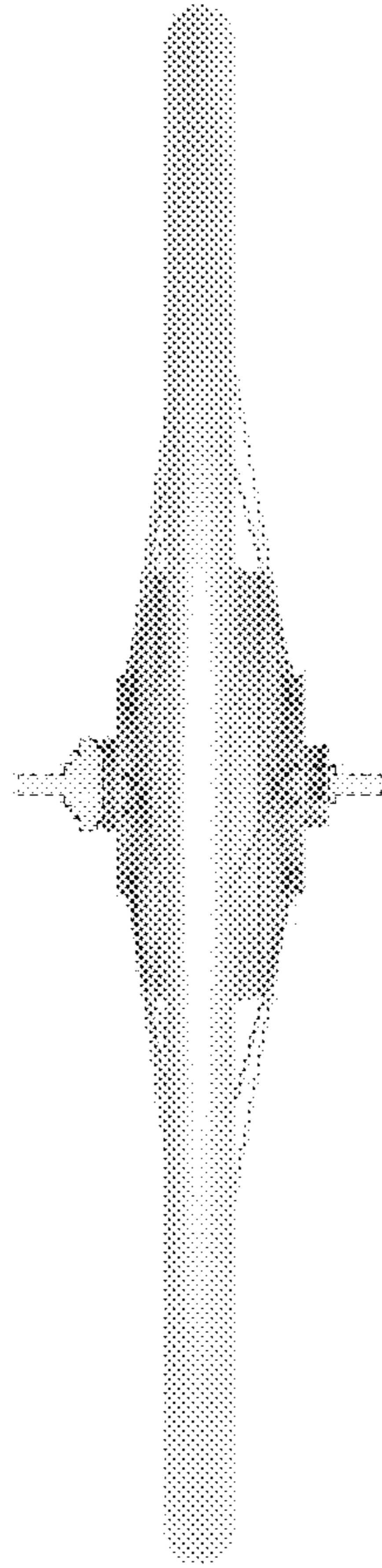


Fig. 13

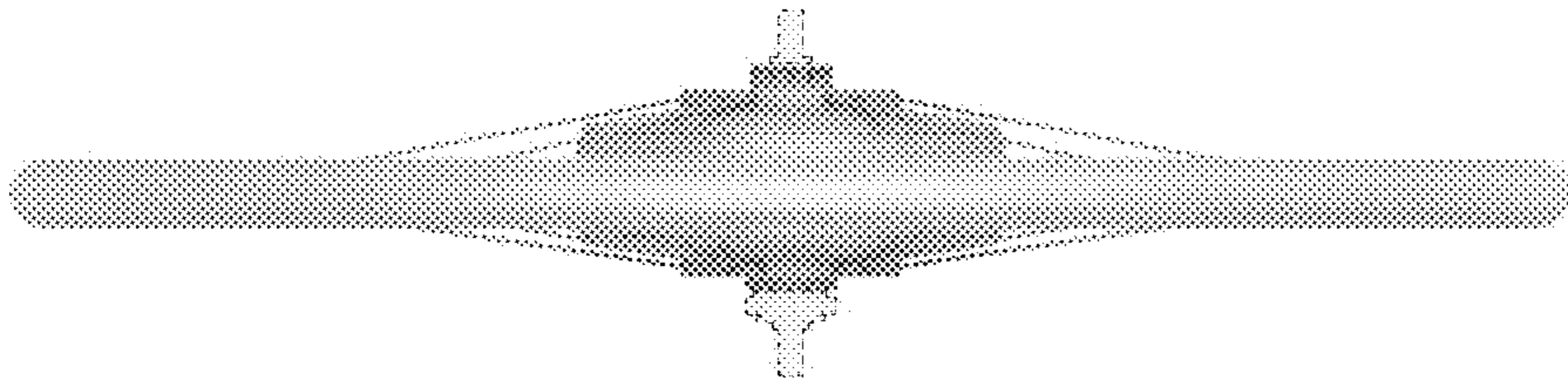


Fig. 14

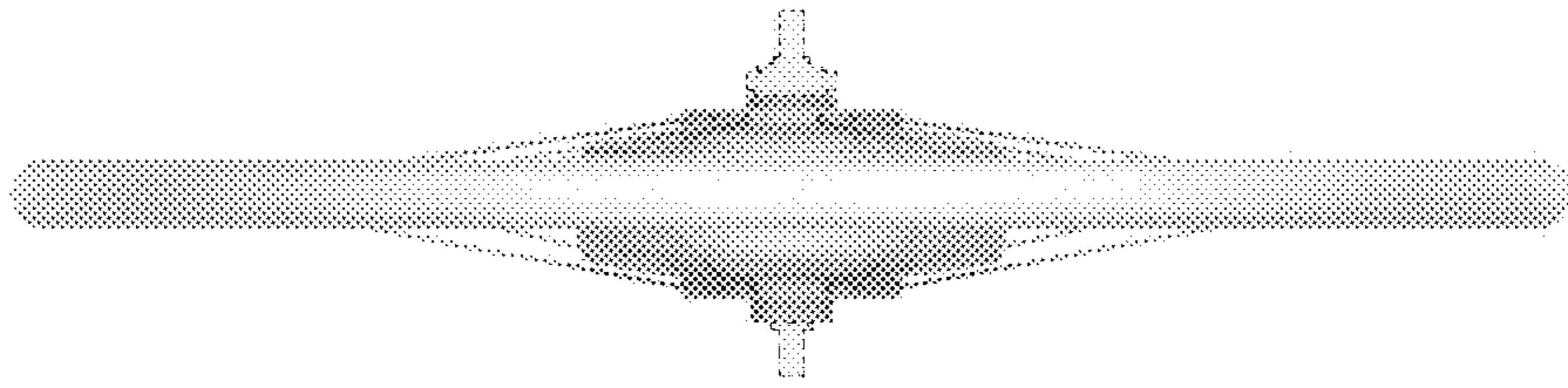


Fig. 15

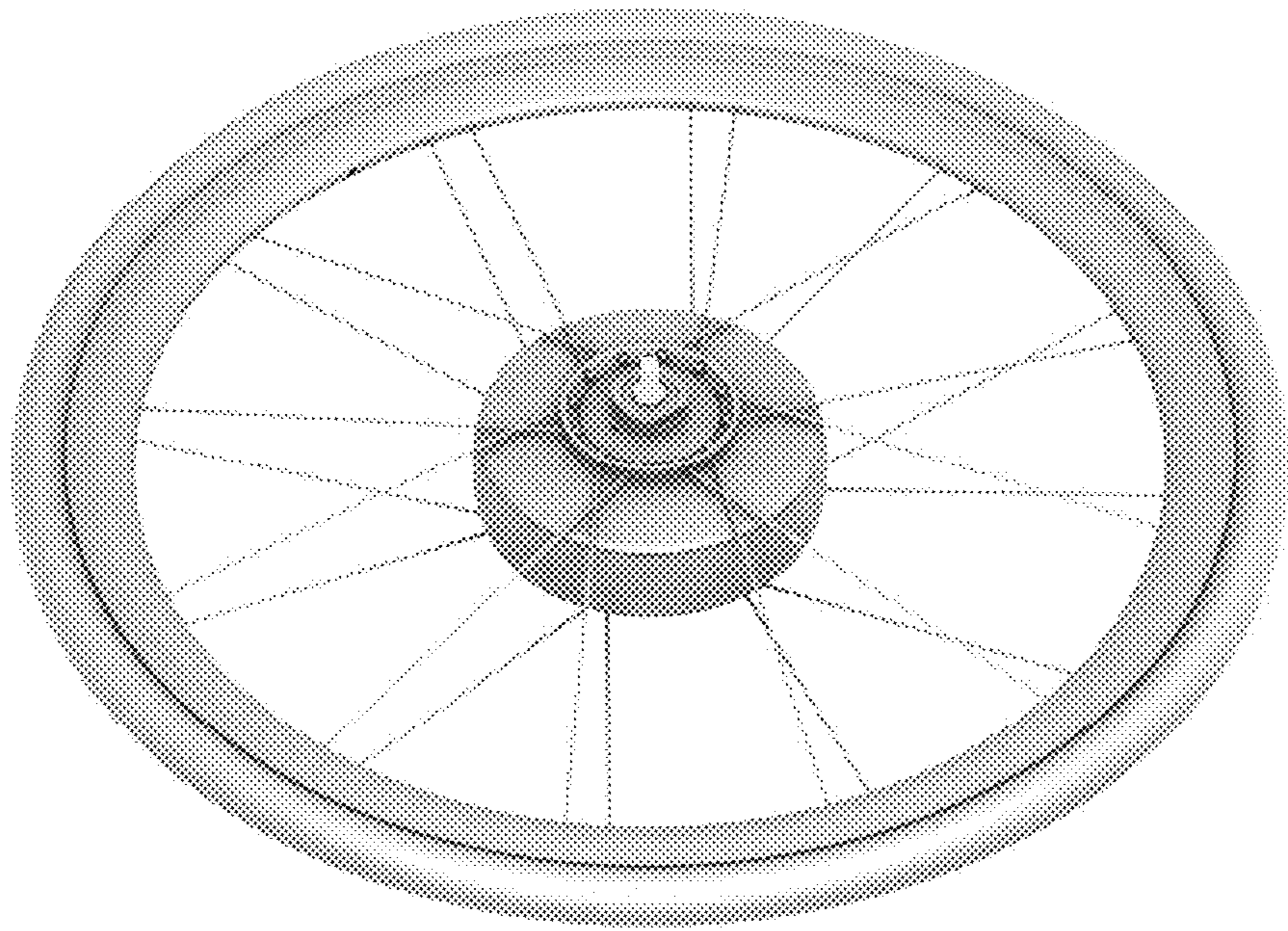


Fig. 16