



US00D975616S

(12) **United States Design Patent** (10) **Patent No.:** **US D975,616 S**
Price et al. (45) **Date of Patent:** **** Jan. 17, 2023**

(54) **VEHICLE FLOOR MAT**

(71) Applicant: **THERMOFLEX CORP.**, Waukegan, IL (US)

(72) Inventors: **Robert Price**, Mettawa, IL (US); **Jacob Price**, Winnetka, IL (US); **David Reband**, Antioch, IL (US)

(73) Assignee: **THERMOFLEX CORP.**, Waukegan, IL (US)

(**) Term: **15 Years**

(21) Appl. No.: **29/788,282**

(22) Filed: **Apr. 22, 2021**

(51) **LOC (14) Cl.** **06-11**

(52) **U.S. Cl.**
USPC **D12/203**

(58) **Field of Classification Search**
USPC D6/582-586, 592-594; D12/203, 221, D12/415, 419
CPC B60N 3/04
See application file for complete search history.

(56) **References Cited**

U.S. PATENT DOCUMENTS

| | | | | |
|--------------|---------|--------------|-------|---------|
| D179,717 S * | 2/1957 | Caldwell | | D12/203 |
| D413,850 S * | 9/1999 | Wang | | D12/203 |
| D493,323 S * | 7/2004 | Juliano | | D6/582 |
| D525,576 S * | 7/2006 | Lu | | D12/203 |
| D542,203 S * | 5/2007 | Kraines | | D12/203 |
| D555,562 S * | 11/2007 | Iacovelli | | D12/203 |
| D608,709 S * | 1/2010 | Masanek, Jr. | | D12/203 |
| D622,648 S * | 8/2010 | Lu | | D12/203 |

(Continued)

FOREIGN PATENT DOCUMENTS

CA 84922 * 10/1998

OTHER PUBLICATIONS

Amazon.com, Baselayer Cut to Fit Black 4 Piece, published Feb. 9, 2022[retrieved on Aug. 18, 2022]. Retrieved from the internet<https://

www.amazon.com/BaseLayer-Cut-Fit-Black-4-Piece/dp/B09S4HCSQG/ref=cm_cr_arp_d_product_top?ie=UTF8> (Year: 2022).*

(Continued)

Primary Examiner — Joseph Kukella
Assistant Examiner — Lavon M. Amerson

(74) *Attorney, Agent, or Firm* — Grossman, Tucker, Perreault & Pflieger, PLLC

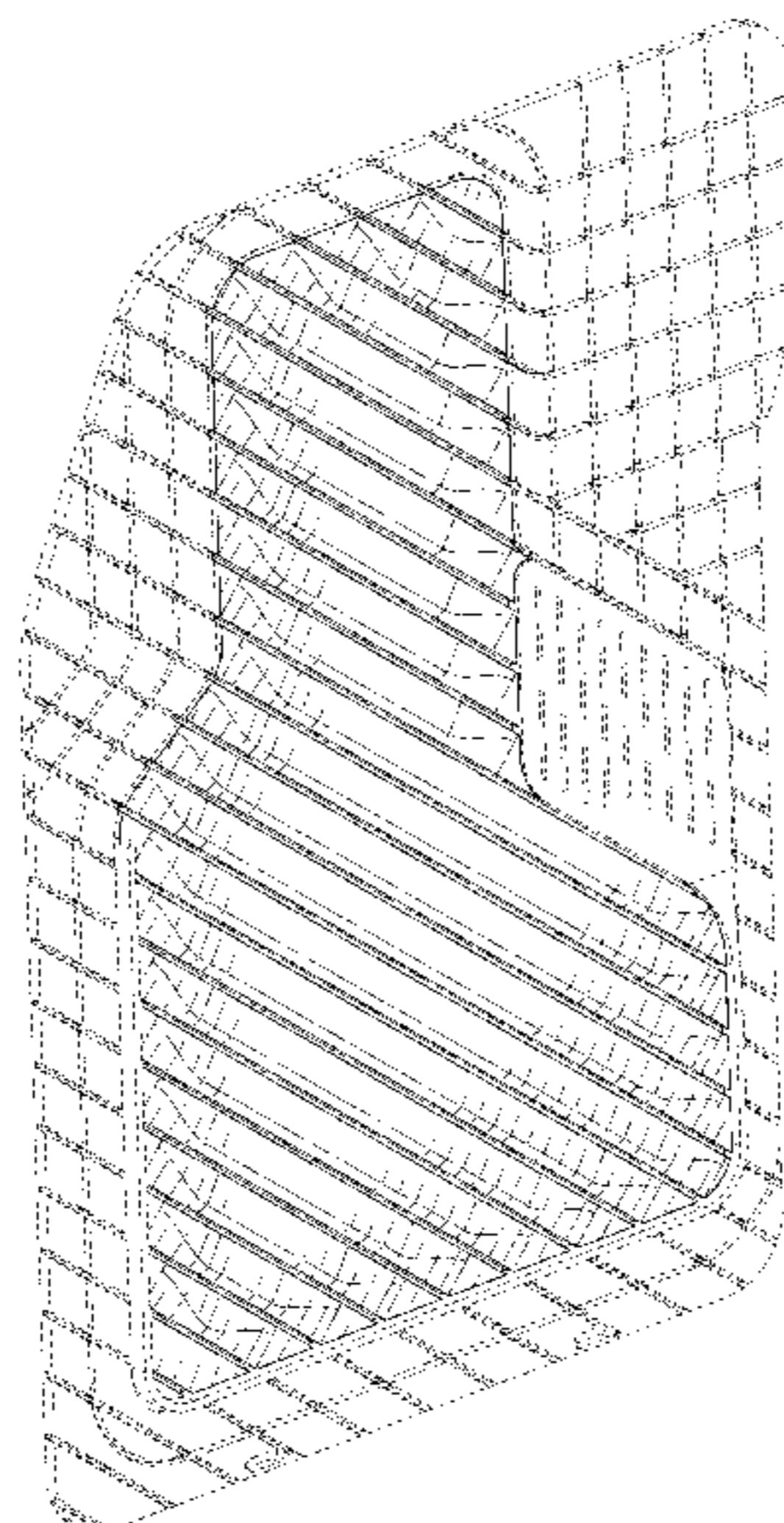
(57) **CLAIM**

The ornamental design for a vehicle floor mat, as shown and described.

DESCRIPTION

FIG. 1 is a perspective view of the vehicle floor mat of an embodiment showing our new design;
FIG. 2 is a top plan view thereof;
FIG. 3 is a bottom plan view thereof;
FIG. 4 is a left elevation view thereof;
FIG. 5 is a right elevation view thereof;
FIG. 6 is a front elevation view thereof;
FIG. 7 is a rear elevation view thereof;
FIG. 8 is a cross-sectional view taken along line 8-8 of FIG. 2;
FIG. 9 is an enlarged cross-sectional view of FIG. 8 as bounded by circle 9;
FIG. 10 is a cross-sectional view taken along line 10-10 of FIG. 2;
FIG. 11 is an enlarged cross-sectional view of FIG. 10 as bounded by circle 11;
FIG. 12 is a cross-sectional view taken along line 12-12 of FIG. 2; and,
FIG. 13 is an enlarged cross-sectional view of FIG. 12 as bounded by circle 13.
The broken lines shown in FIGS. 1-13 are included to show portions of the vehicle floor mat that form no part of the claimed design.

1 Claim, 9 Drawing Sheets



(56)

References Cited

U.S. PATENT DOCUMENTS

D680,932 S * 4/2013 Lu D12/203
 D697,465 S * 1/2014 Lu D12/203
 D697,857 S * 1/2014 Kingsbury D12/203
 8,658,269 B1 * 2/2014 Parkes B29C 45/14786
 428/95
 9,248,769 B2 * 2/2016 Price B29C 45/14336
 D777,072 S * 1/2017 Gross D12/203
 D793,935 S * 8/2017 Alesi D12/203
 D798,796 S * 10/2017 Yang D12/331
 D820,756 S * 6/2018 Alesi D12/203
 D845,852 S * 4/2019 Johnson D12/203
 D877,675 S * 3/2020 Khamtanh D12/203
 10,676,004 B2 * 6/2020 Milella, Jr. B60N 3/048
 D929,285 S * 8/2021 Chang D12/203
 D937,168 S * 11/2021 Chang D12/203
 D941,207 S * 1/2022 Chang D12/203

D943,480 S * 2/2022 Yang D12/203
 D945,341 S * 3/2022 Wu D12/203
 2001/0020316 A1 * 9/2001 Ferreira B29D 99/0057
 428/156

OTHER PUBLICATIONS

The Home Depot, Beige 3-Piece Heavy Duty Rubber Liners ClimaProof Trimmable Car Floor Mats, published Apr. 9, 2020, [retrieved on Aug. 18, 2022]. Retrieved from the internet <<https://www.homedepot.com/p/FH-Group-Beige-3-Piece-Heavy-Duty-Rubber-Liners-ClimaProof-Trimable-Car-Floor-Mats-Full-Set>> (Year: 2020).*

Auto Accessories Garage, Weather Tech AVM Floor Mats, published Mar. 14, 2021, [retrieved on Aug. 18, 2022]. Retrieved from the internet <<https://www.autoaccessoriesgarage.com/Floor-Mats-Liners/WeatherTech-AVM-Floor-Mats>> (Year: 2021).*

* cited by examiner

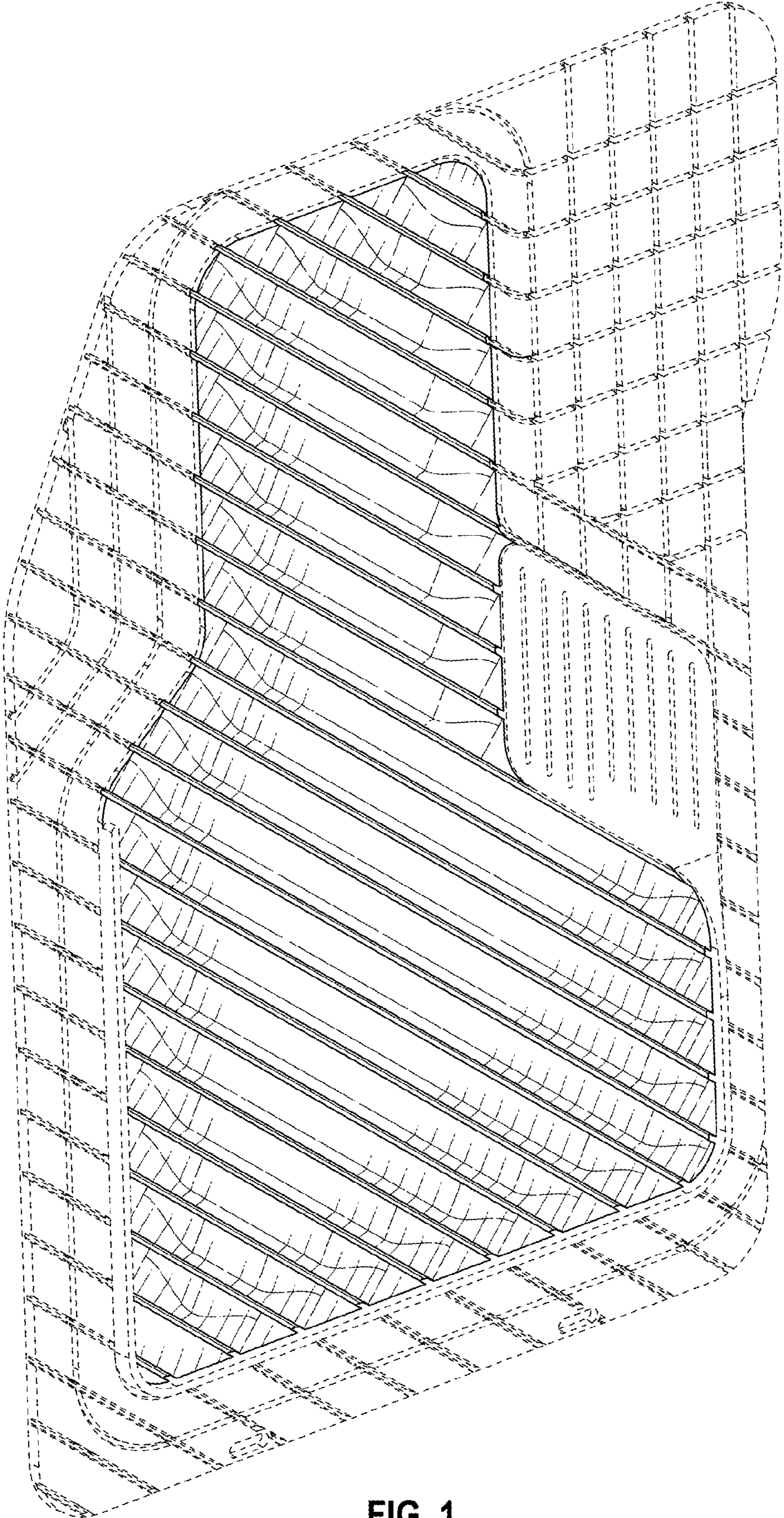


FIG. 1

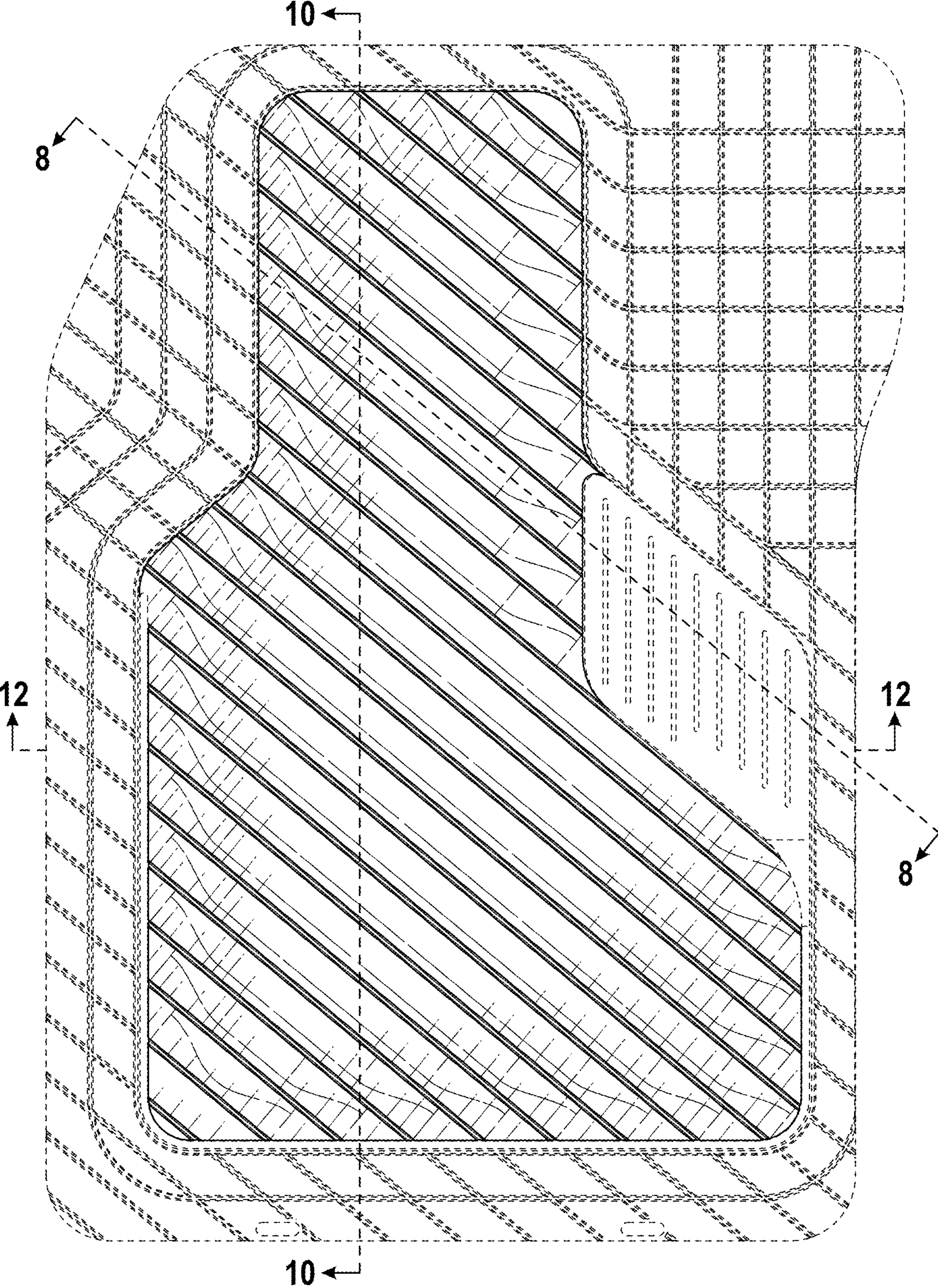


FIG. 2

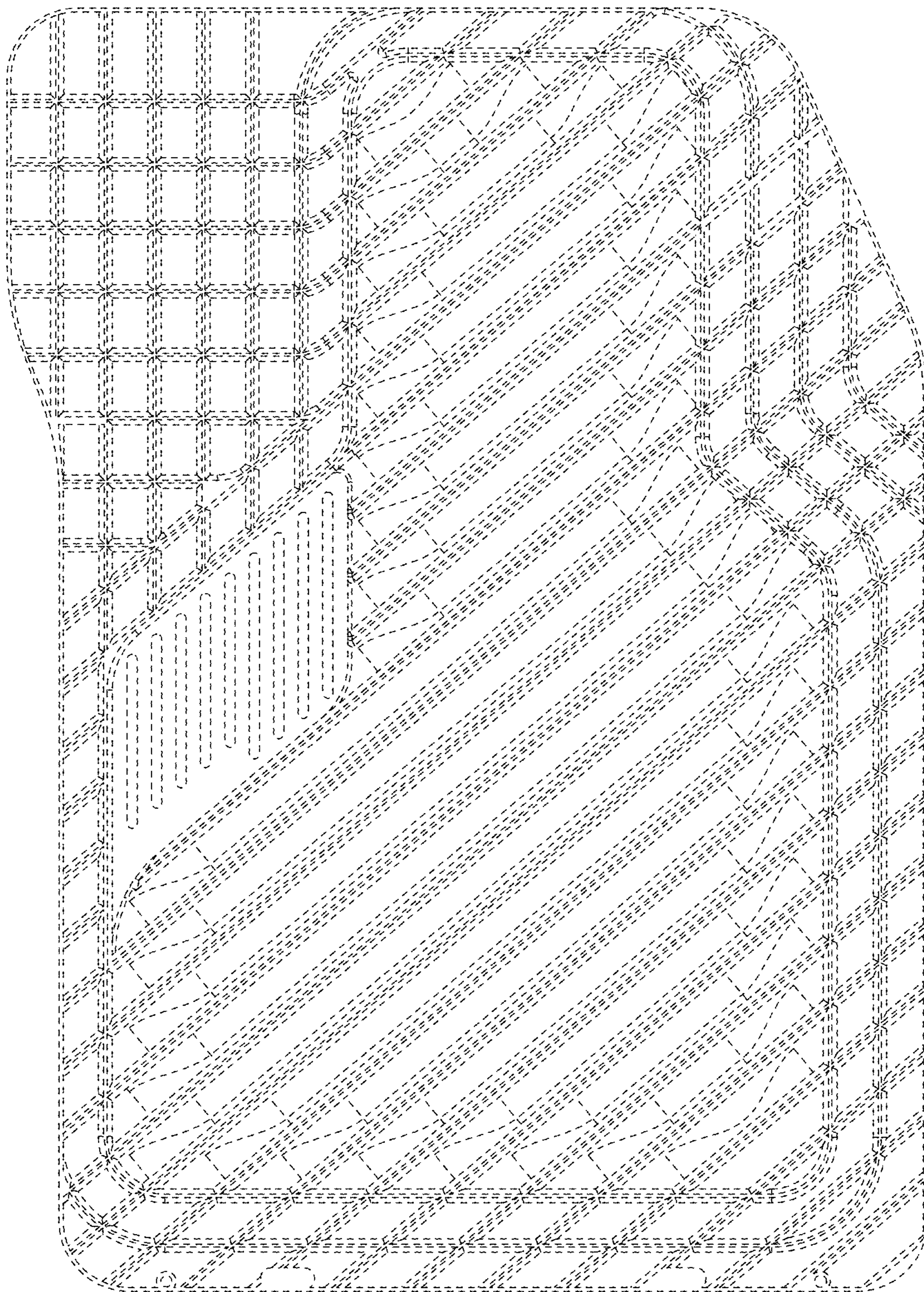


FIG. 3

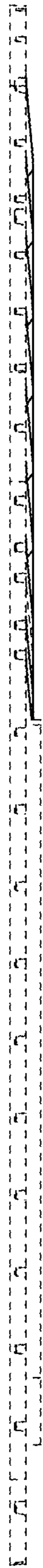


FIG. 4

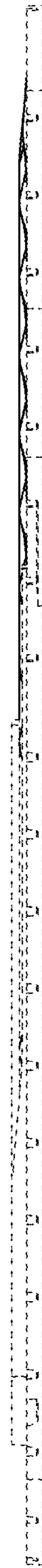


FIG. 5

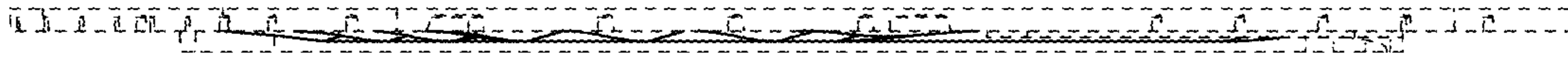


FIG. 6

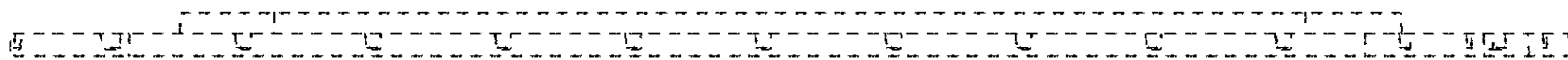


FIG. 7

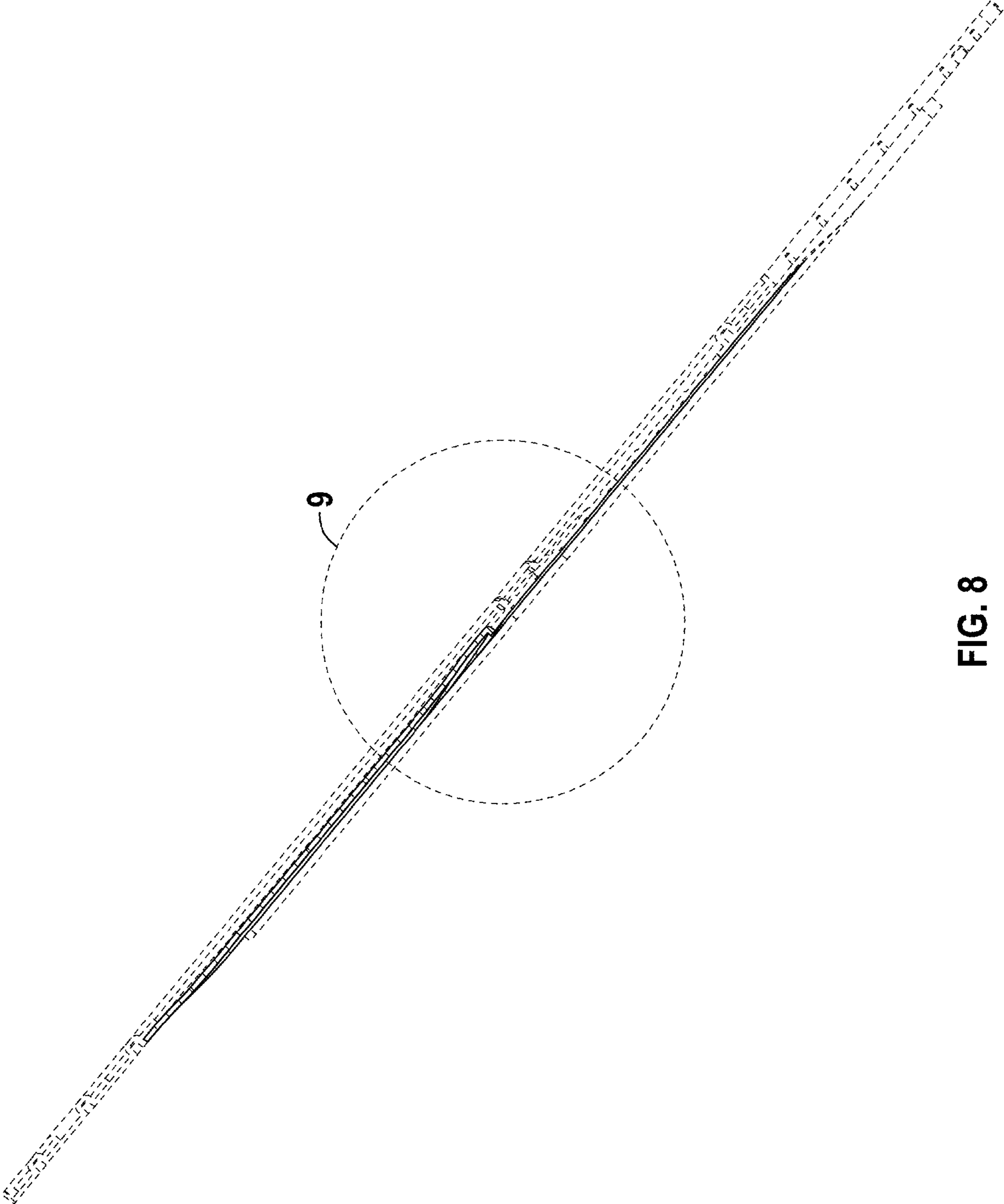


FIG. 8

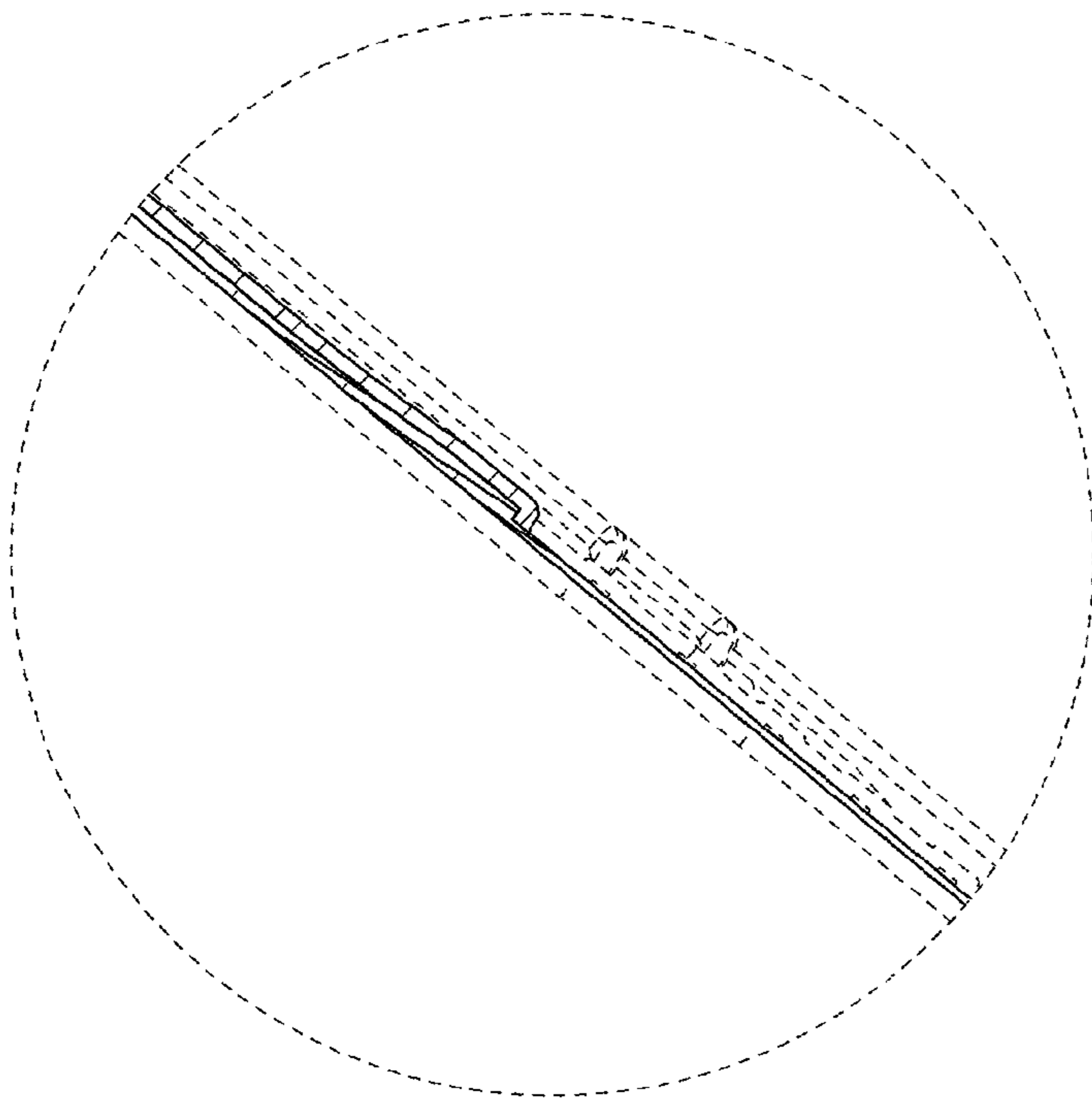


FIG. 9

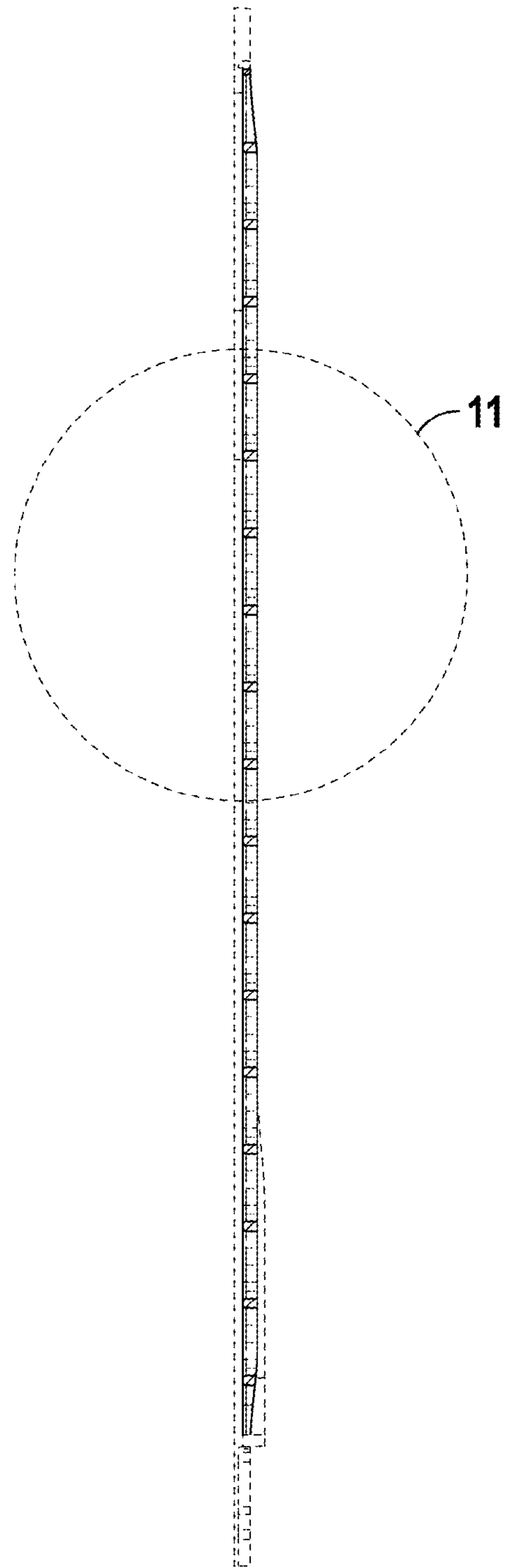


FIG. 10

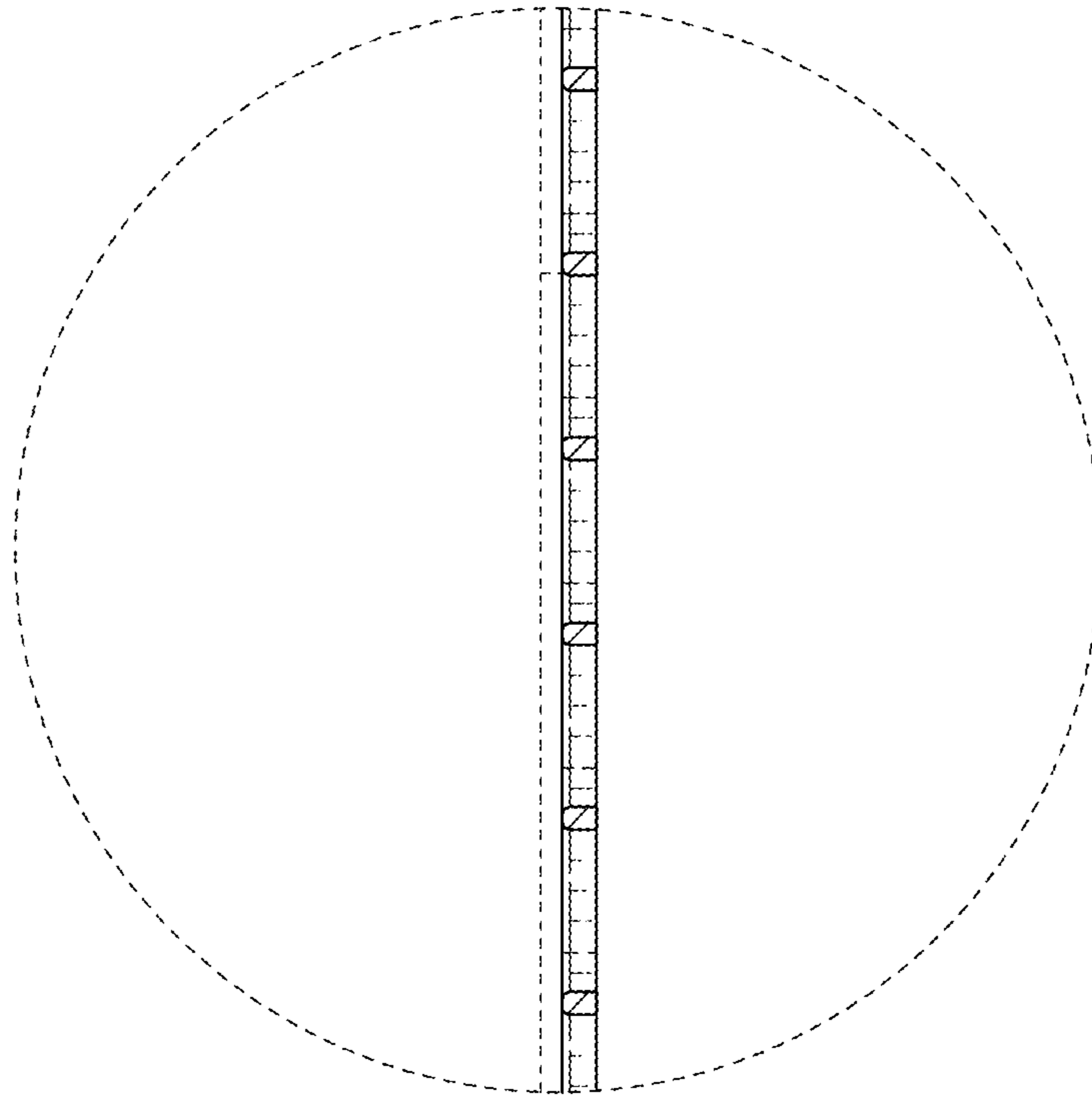


FIG. 11

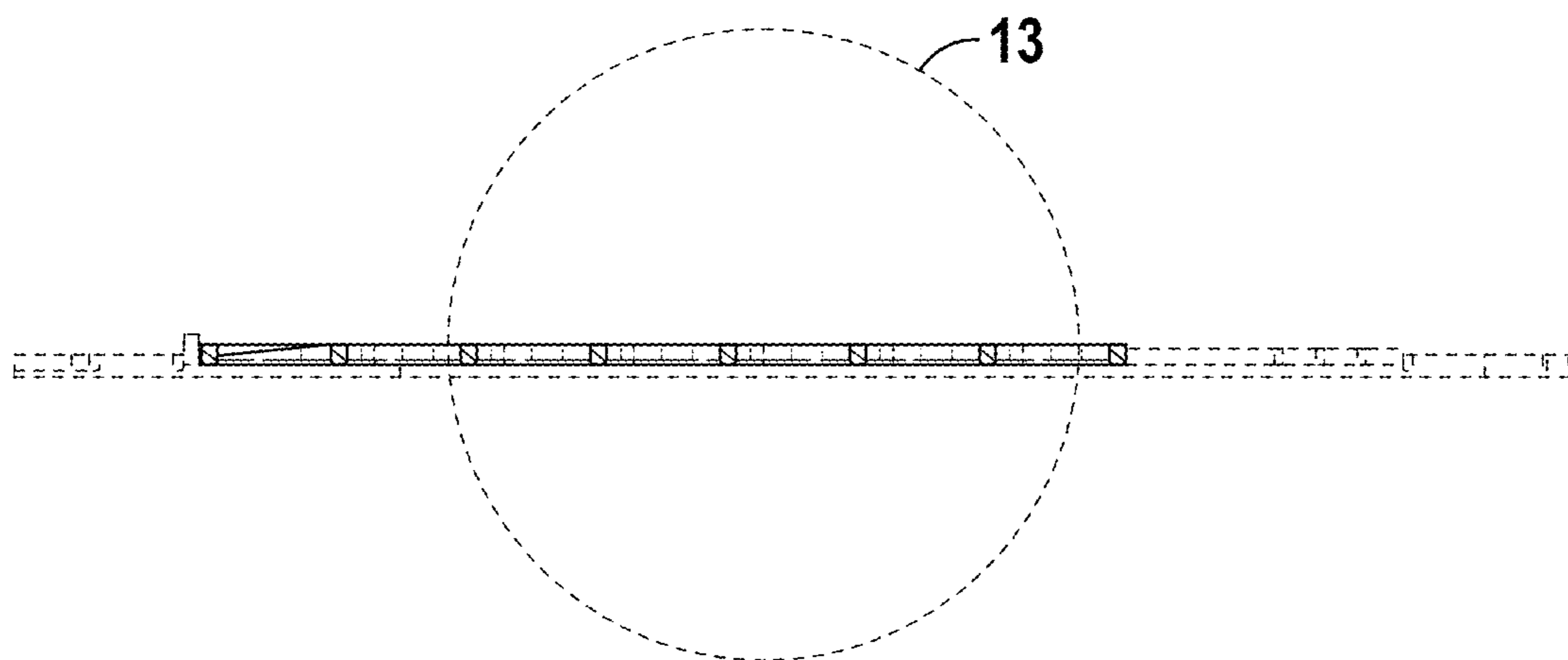


FIG. 12

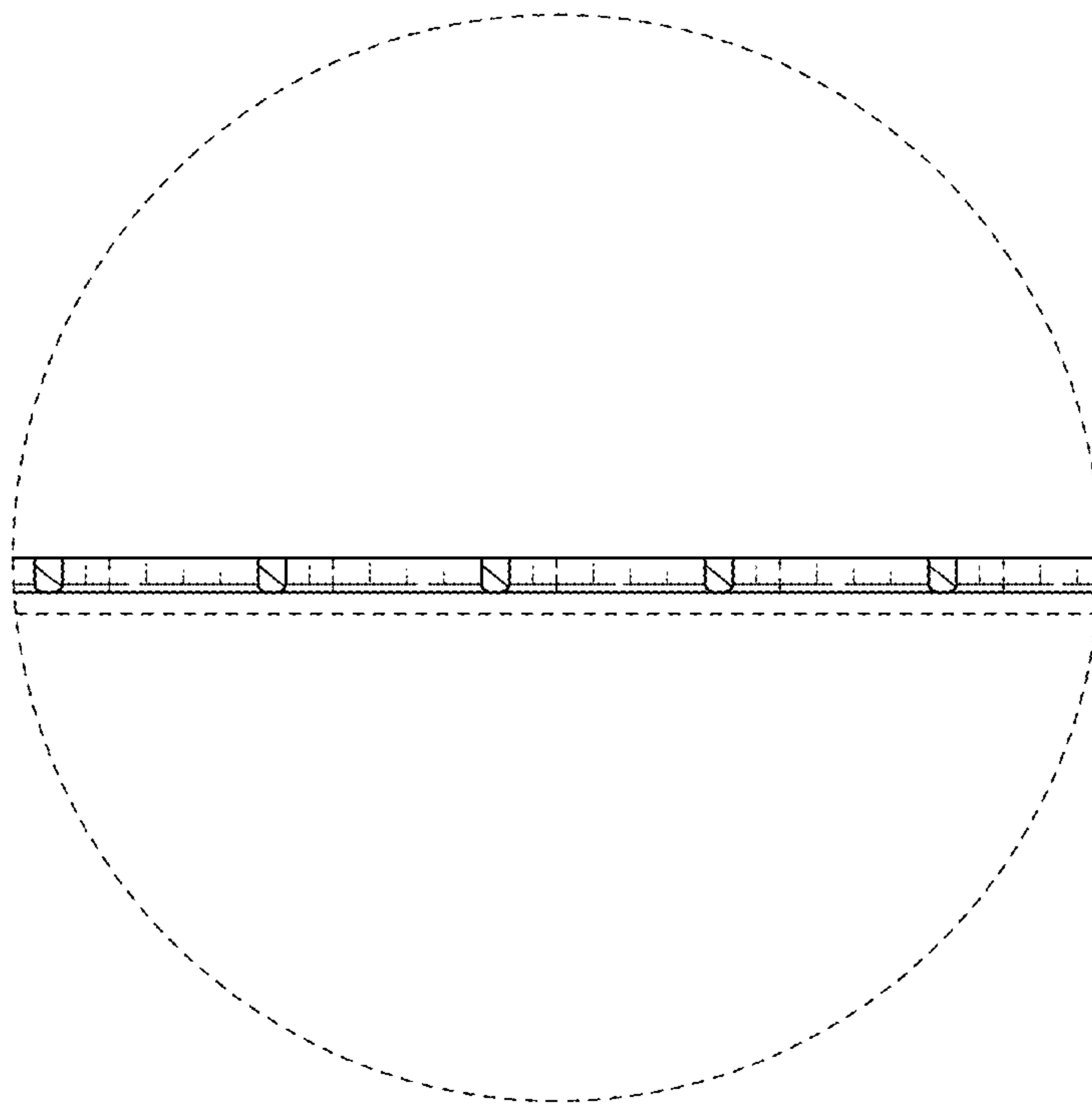


FIG. 13