



US00D975614S

(12) **United States Design Patent** (10) **Patent No.:** **US D975,614 S**  
**Price et al.** (45) **Date of Patent:** **\*\* Jan. 17, 2023**

(54) **VEHICLE FLOOR MAT**

(71) Applicant: **THERMOFLEX CORP.**, Waukegan, IL (US)

(72) Inventors: **Robert Price**, Mettawa, IL (US); **Jacob Price**, Winnetka, IL (US); **David Reband**, Antioch, IL (US)

(73) Assignee: **THERMOFLEX CORP.**, Waukegan, IL (US)

(\*\*) Term: **15 Years**

(21) Appl. No.: **29/788,274**

(22) Filed: **Apr. 21, 2021**

(51) **LOC (14) Cl.** ..... **06-11**

(52) **U.S. Cl.**  
USPC ..... **D12/203**

(58) **Field of Classification Search**  
USPC ..... D6/582-586, 592-594; D12/203, 221, D12/415, 419  
CPC ..... B60N 3/04  
See application file for complete search history.

(56) **References Cited**

U.S. PATENT DOCUMENTS

D413,850 S *	9/1999	Wang	.....	D12/203
D493,323 S *	7/2004	Juliano	.....	D6/582
D525,576 S *	7/2006	Lu	.....	D12/203
D542,203 S *	5/2007	Kraines	.....	D12/203
D555,562 S *	11/2007	Iacovelli	.....	D12/203
D608,709 S *	1/2010	Masanek, Jr.	.....	D12/203
D622,648 S *	8/2010	Lu	.....	D12/203

(Continued)

FOREIGN PATENT DOCUMENTS

CA 84922 \* 10/1998

OTHER PUBLICATIONS

The Home Depot, Beige 3-Piece Heavy Duty Rubber Liners ClimaProof Trimmable Car Floor Mats, published Apr. 9, 2020, [retrieved on

Aug. 18, 2022]. Retrieved from the internet<<https://www.homedepot.com/p/FH-Group-Beige-3-Piece-Heavy-Duty-Rubber-Liners-ClimaProof-Trimable-Car-Floor-Mats-Full-Set>> (Year: 2020).\*

(Continued)

*Primary Examiner* — Joseph Kukella  
*Assistant Examiner* — Lavon M. Amerson

(74) *Attorney, Agent, or Firm* — Grossman, Tucker, Perreault & Pflieger, PLLC

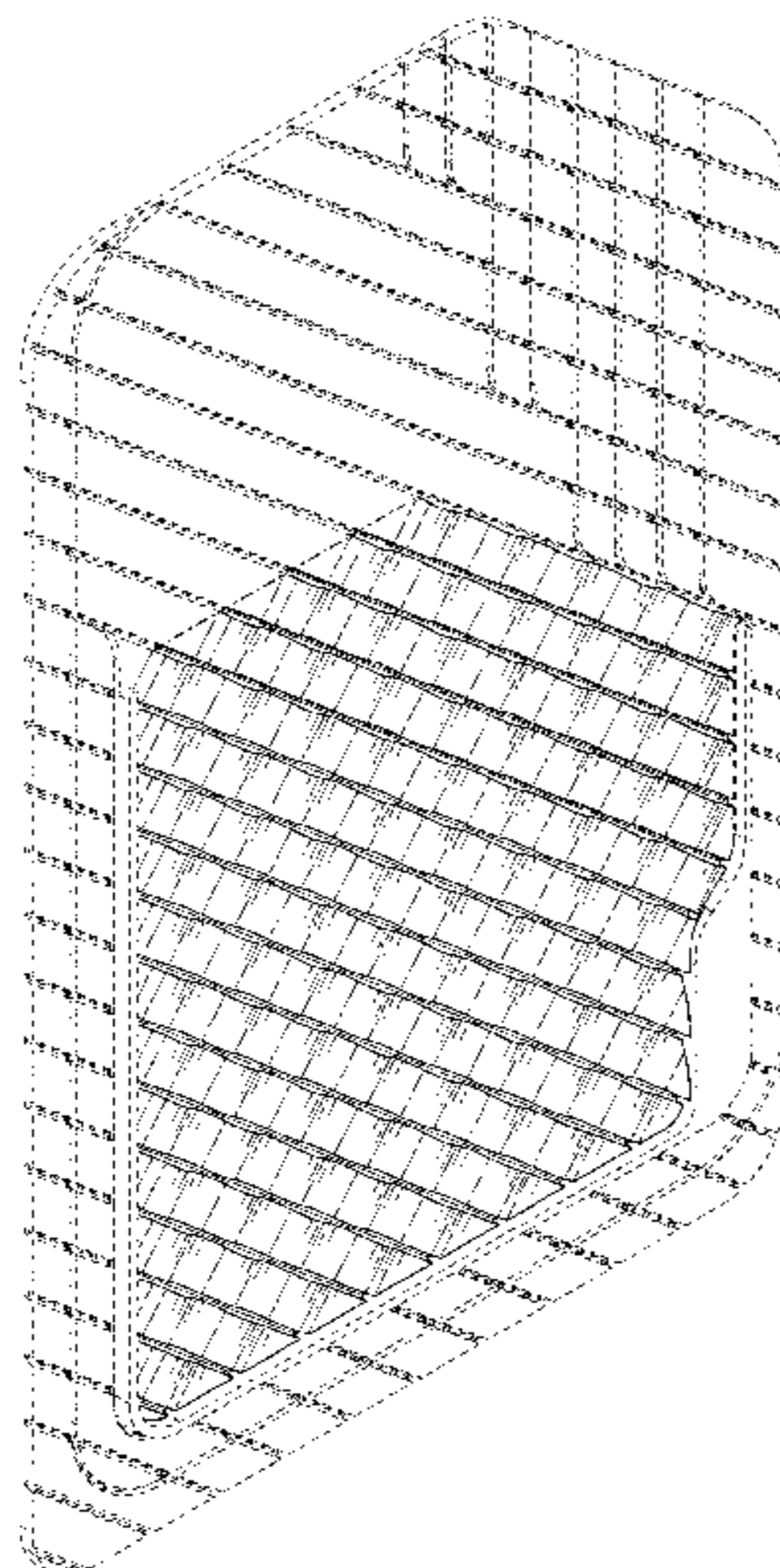
(57) **CLAIM**

The ornamental design for a vehicle floor mat, as shown and described.

**DESCRIPTION**

FIG. 1 is a perspective view of the vehicle floor mat of an embodiment showing our new design; FIG. 2 is a top plan view thereof; FIG. 3 is a bottom plan view thereof; FIG. 4 is a left elevation view thereof; FIG. 5 is a right elevation view thereof; FIG. 6 is a front elevation view thereof; FIG. 7 is a rear elevation view thereof; FIG. 8 is a cross-sectional view taken along line 8-8 of FIG. 2; FIG. 9 is an enlarged cross-sectional view of FIG. 8 as bounded by circle 9; FIG. 10 is a cross-sectional view taken along line 10-10 of FIG. 2; FIG. 11 is an enlarged cross-sectional view of FIG. 10 as bounded by circle 11; FIG. 12 is a cross-sectional view taken along line 12-12 of FIG. 2; and, FIG. 13 is an enlarged cross-sectional view of FIG. 12 as bounded by circle 13. The broken lines shown in FIGS. 1-13 are included to show portions of the vehicle floor mat that form no part of the claimed design.

**1 Claim, 9 Drawing Sheets**



(56)

References Cited

U.S. PATENT DOCUMENTS

D680,932 S \* 4/2013 Lu ..... D12/203  
 D697,465 S \* 1/2014 Lu ..... D12/203  
 D697,857 S \* 1/2014 Kingsbury ..... D12/203  
 8,658,269 B1 \* 2/2014 Parkes ..... B29C 45/14786  
 428/95  
 9,248,769 B2 \* 2/2016 Price ..... B29C 45/14336  
 D777,072 S \* 1/2017 Gross ..... D12/203  
 D793,935 S \* 8/2017 Alesi ..... D12/203  
 D798,796 S \* 10/2017 Yang ..... D12/331  
 D820,756 S \* 6/2018 Alesi ..... D12/203  
 D845,852 S \* 4/2019 Johnson ..... D12/203  
 D877,675 S \* 3/2020 Khamtanh ..... D12/203  
 10,676,004 B2 \* 6/2020 Milella, Jr. .... B60N 3/048  
 D929,285 S \* 8/2021 Chang ..... D12/203  
 D937,168 S \* 11/2021 Chang ..... D12/203  
 D941,207 S \* 1/2022 Chang ..... D12/203

D943,480 S \* 2/2022 Yang ..... D12/203  
 D945,341 S \* 3/2022 Wu ..... D12/203  
 2001/0020316 A1 \* 9/2001 Ferreira ..... B29D 99/0057  
 428/156

OTHER PUBLICATIONS

Auto Accessories Garage, Weather Tech AVM Floor Mats, published Mar. 14, 2021, [retrieved on Aug. 18, 2022]. Retrieved from the internet <<https://www.autoaccessoriesgarage.com/Floor-Mats-Liners/WeatherTech-AVM-Floor-Mats>> (Year: 2021).\*

Amazon.com, Baselayer Cut to Fit Black 4 Piece, published Feb. 9, 2022 [retrieved on Aug. 18, 2022]. Retrieved from the internet <[https://www.amazon.com/BaseLayer-Cut-Fit-Black-4-Piece/dp/B09S4HCSQG/ref=cm\\_cr\\_arp\\_d\\_product\\_top?ie=UTF8](https://www.amazon.com/BaseLayer-Cut-Fit-Black-4-Piece/dp/B09S4HCSQG/ref=cm_cr_arp_d_product_top?ie=UTF8)> (Year: 2022).\*

\* cited by examiner

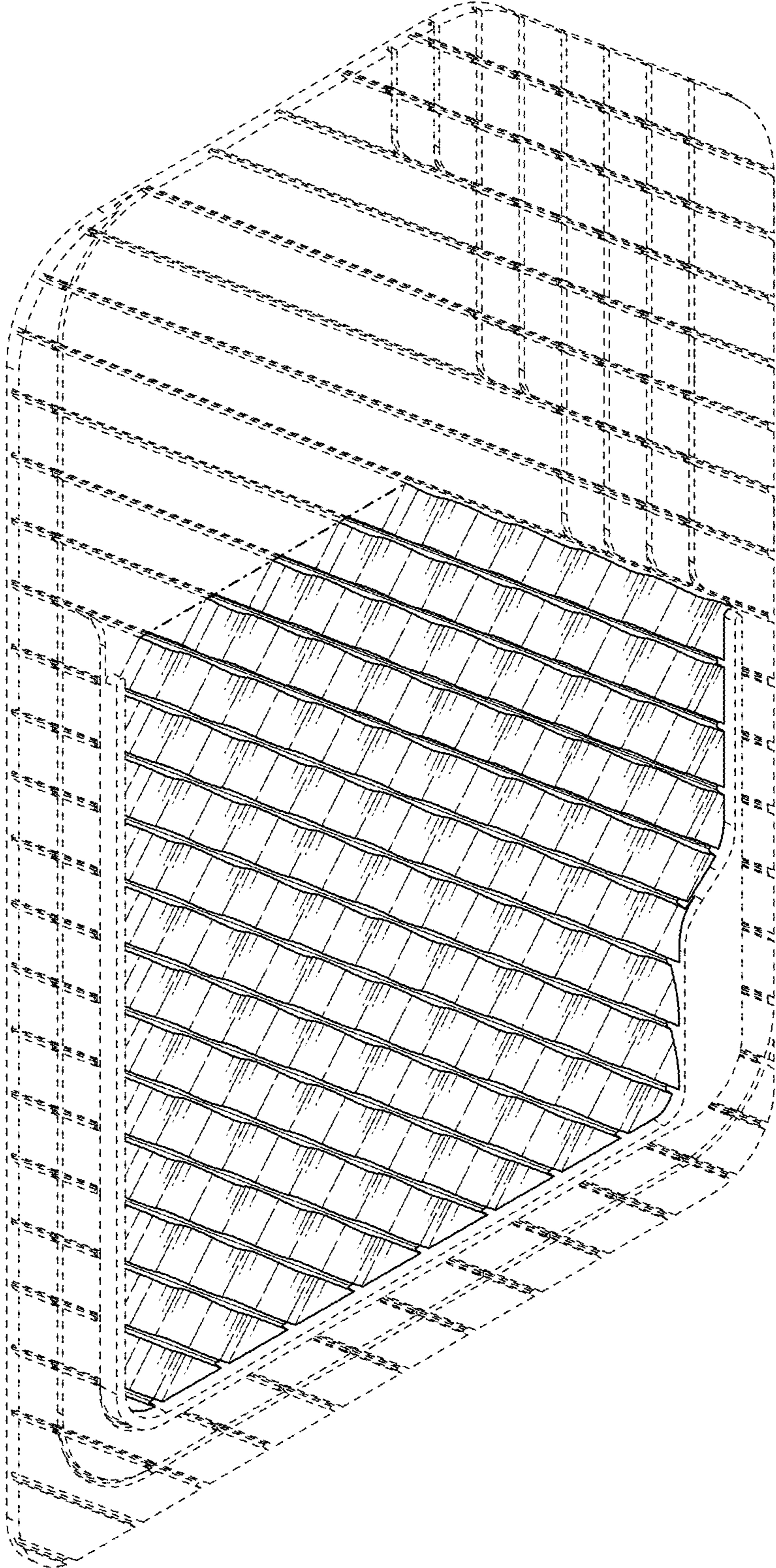


FIG. 1

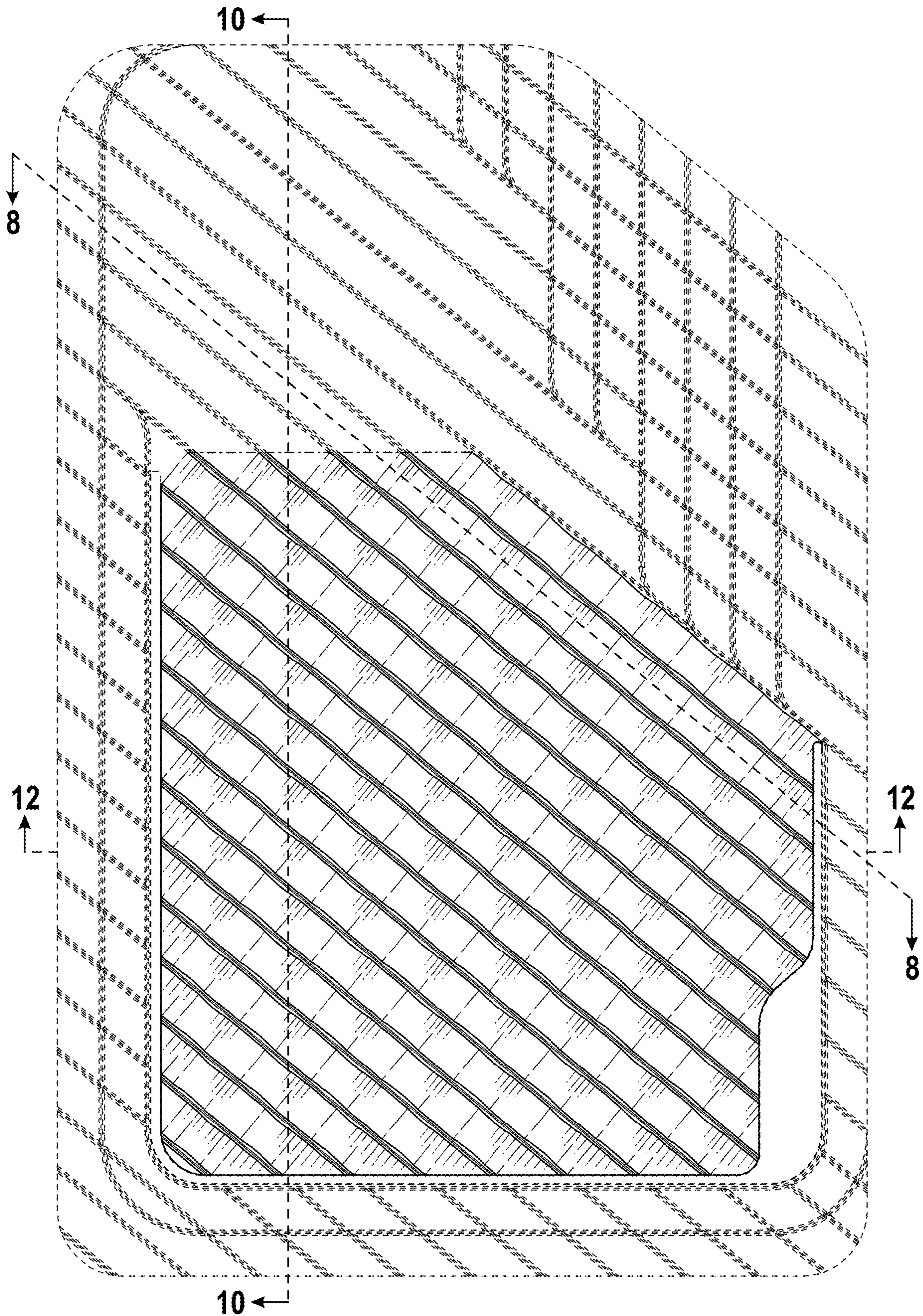


FIG. 2

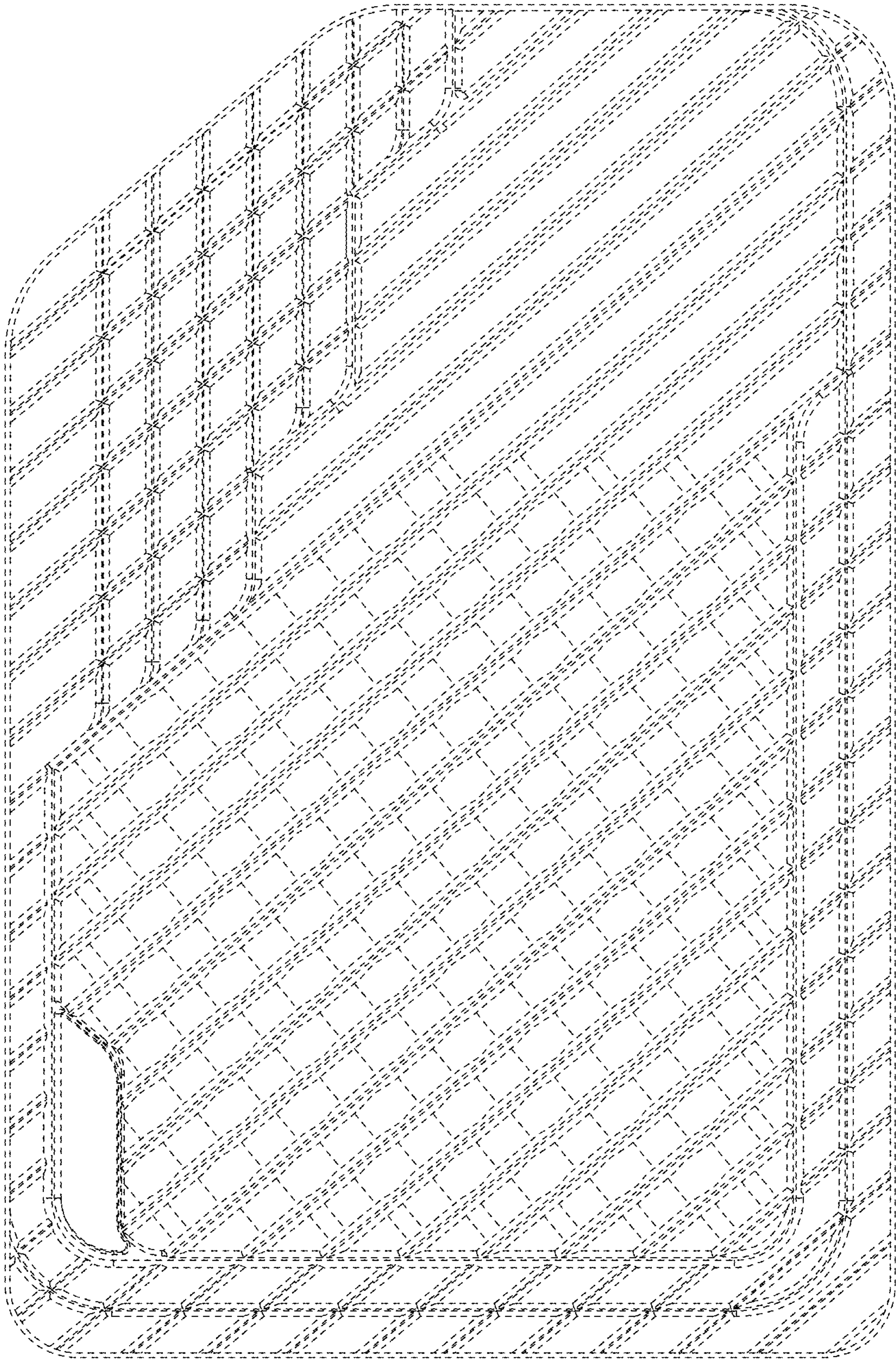


FIG. 3

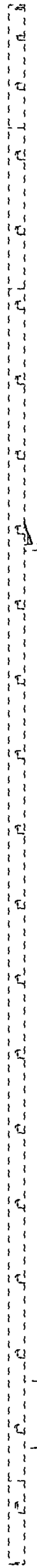


FIG. 4

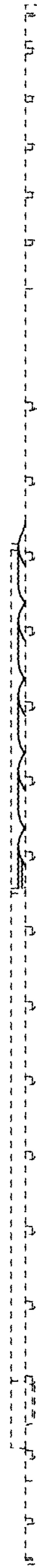


FIG. 5

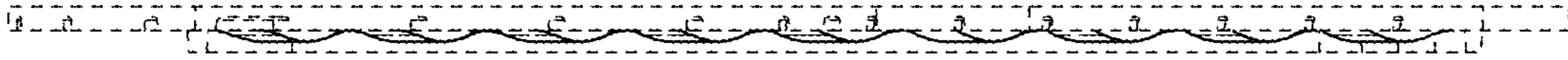


FIG. 6

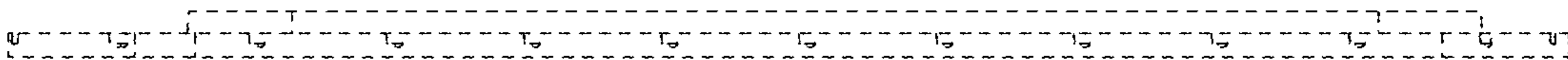


FIG. 7

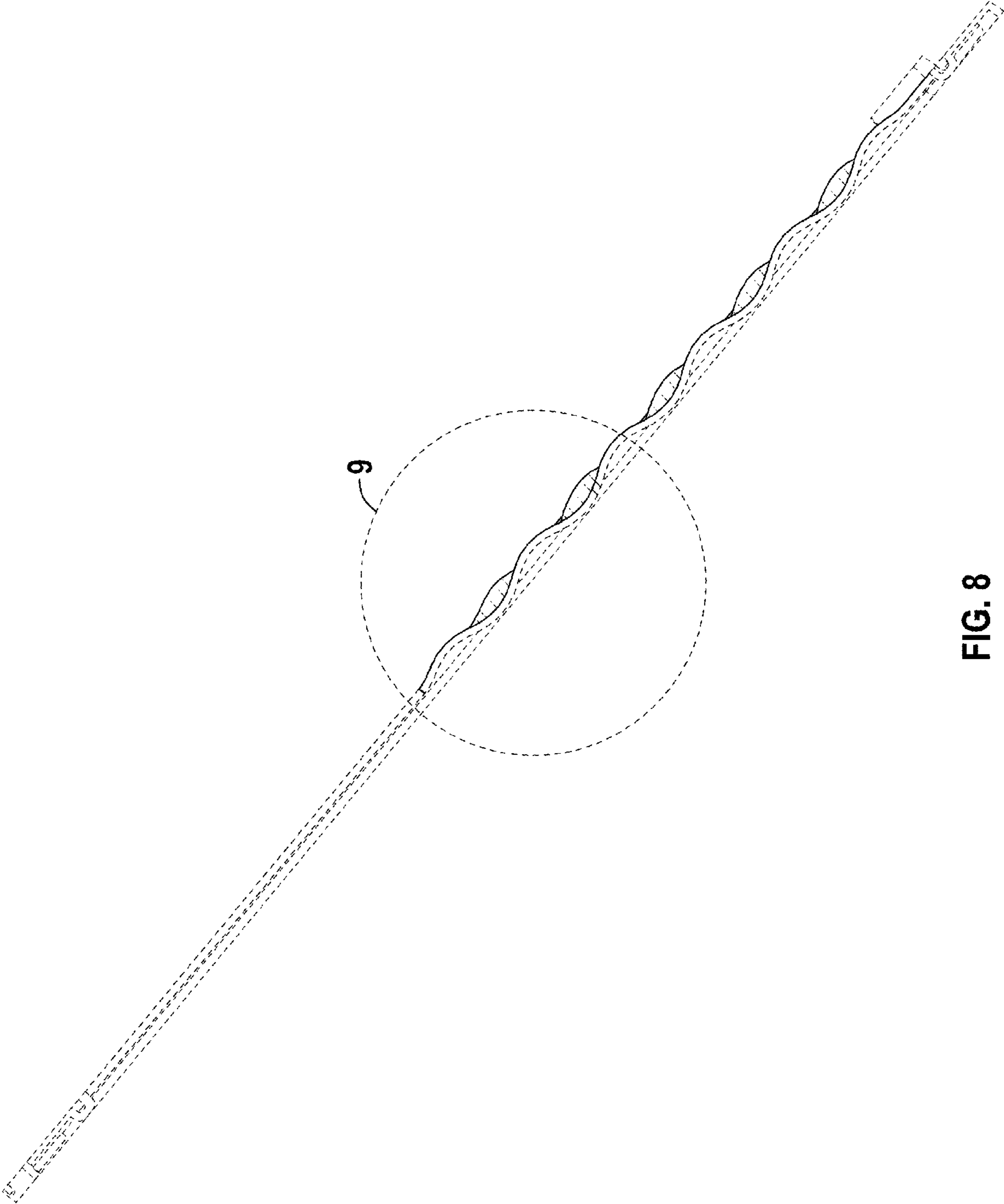


FIG. 8



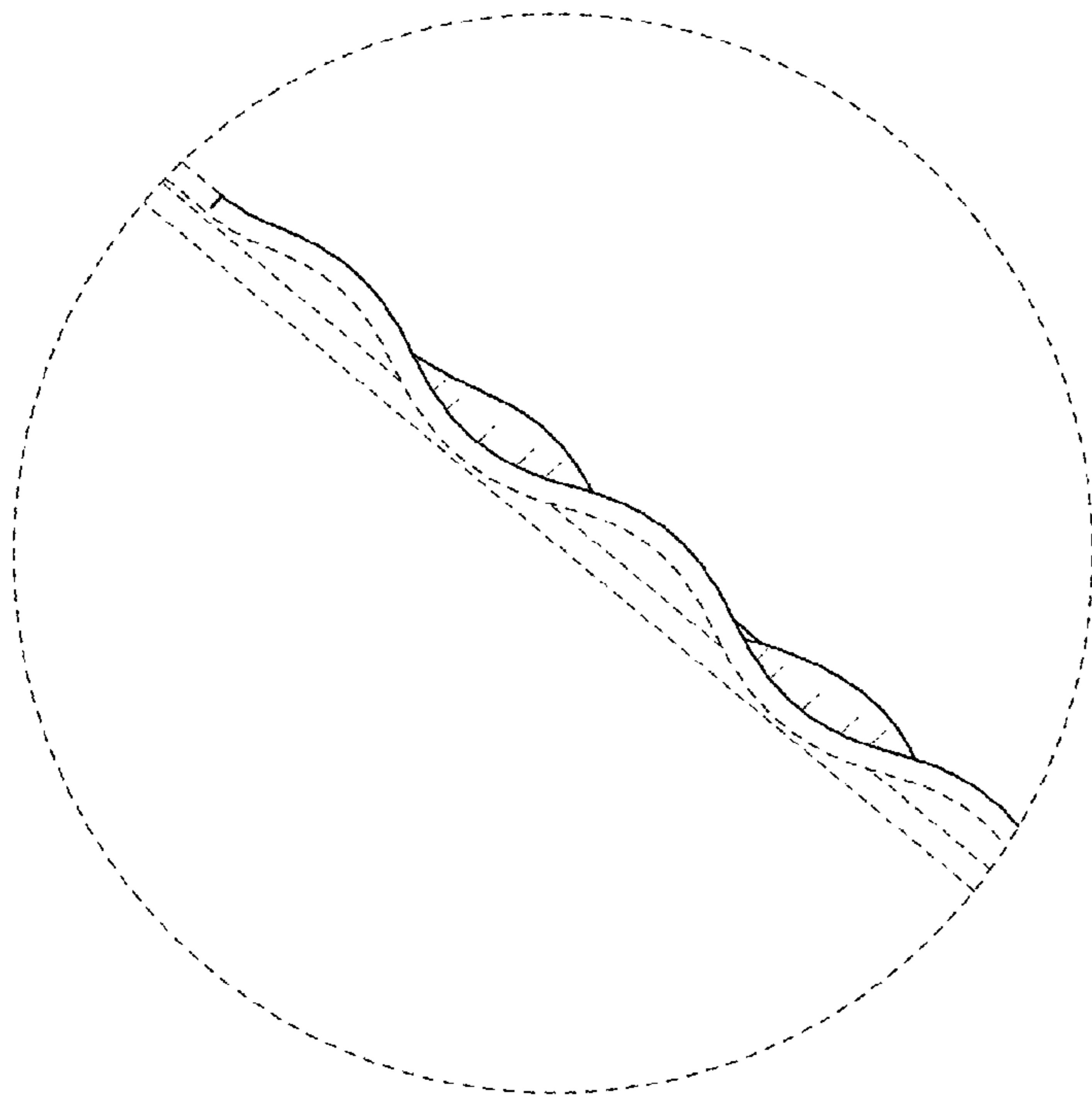


FIG. 9

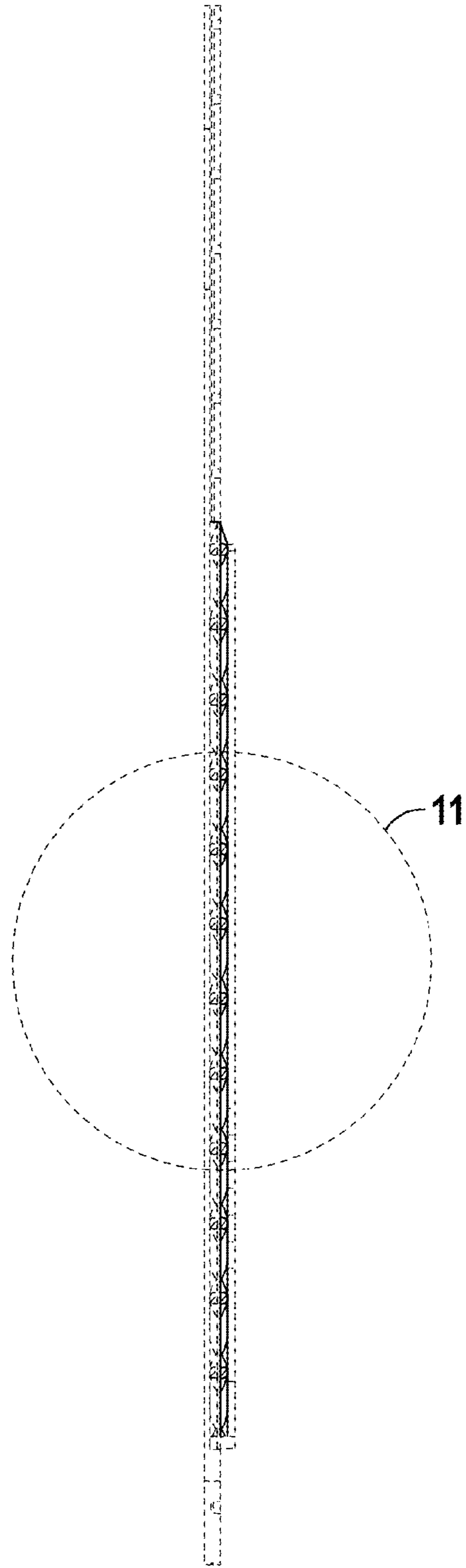


FIG. 10

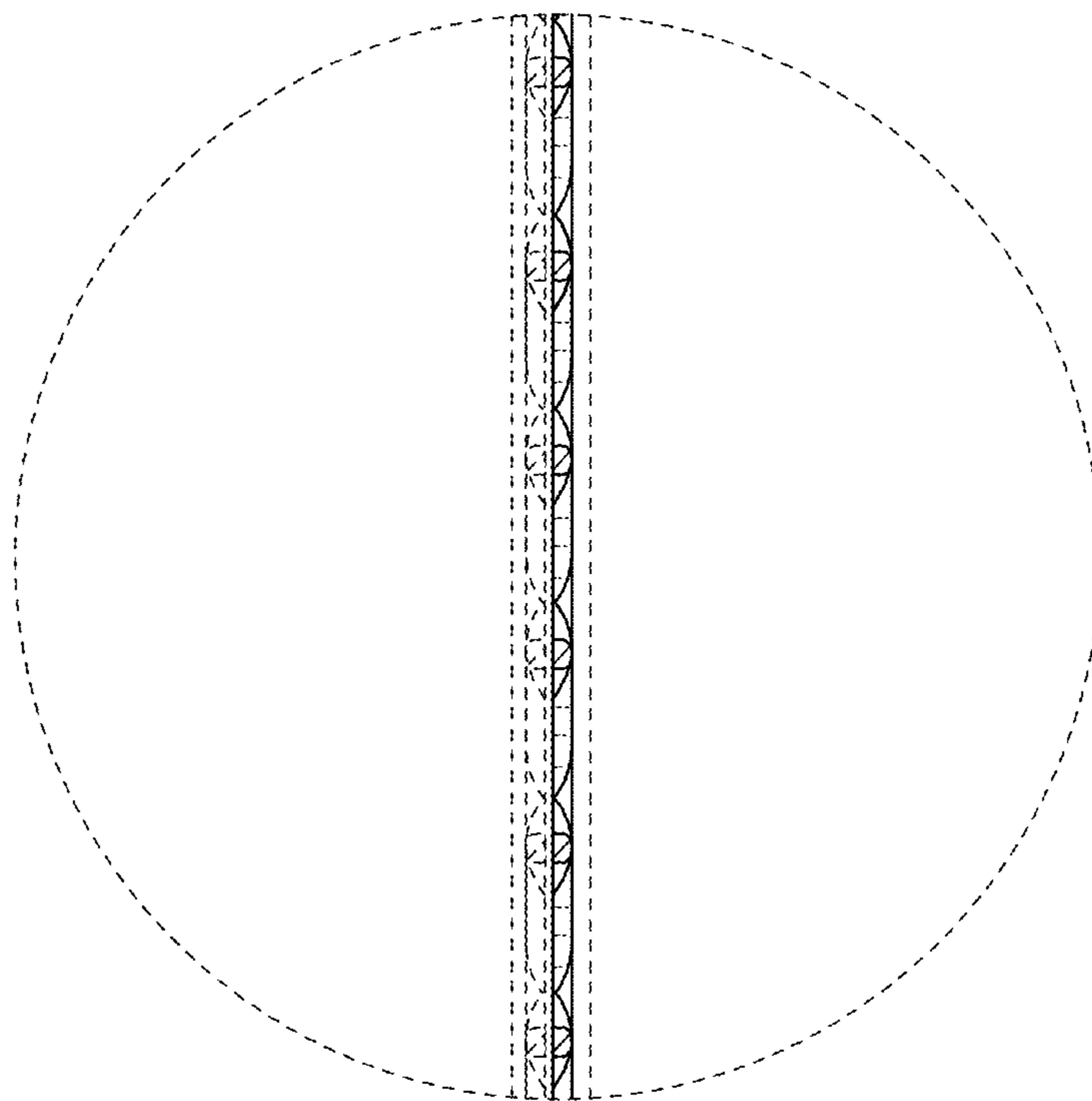


FIG. 11

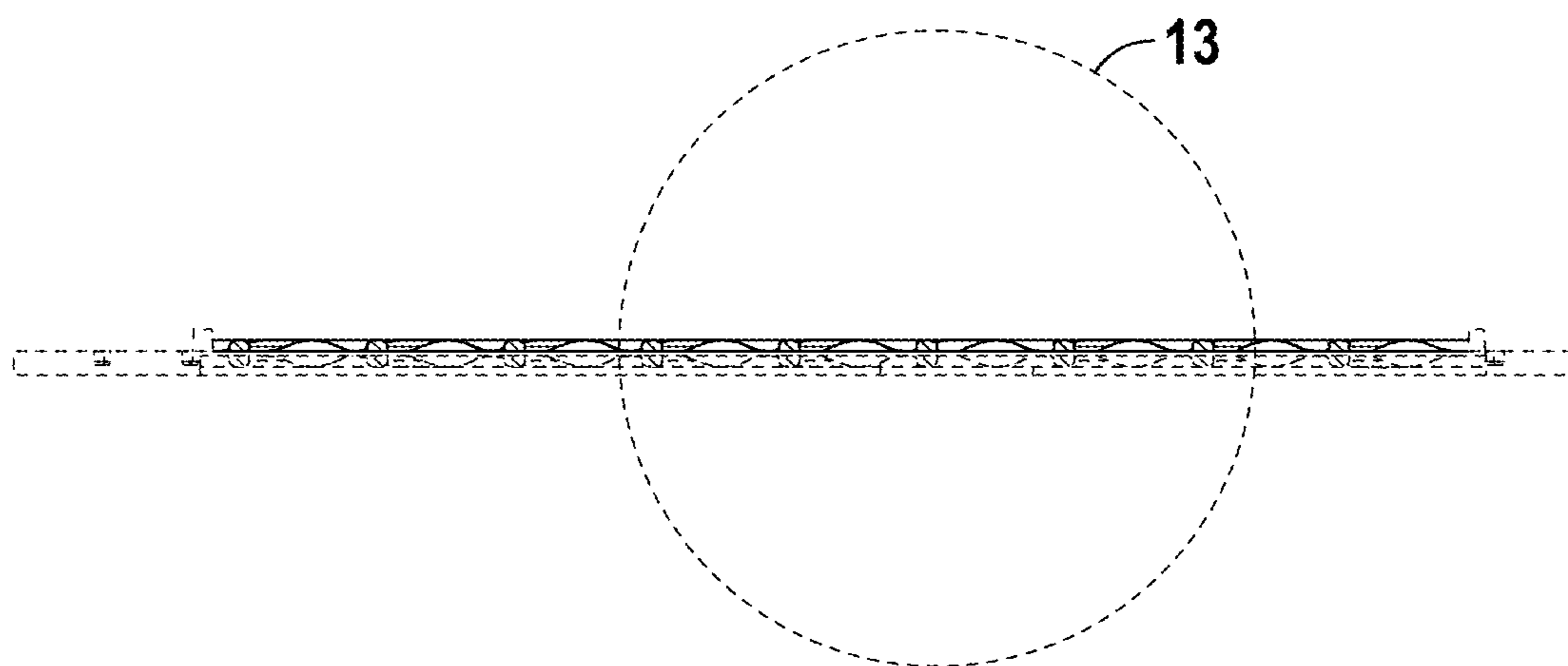


FIG. 12

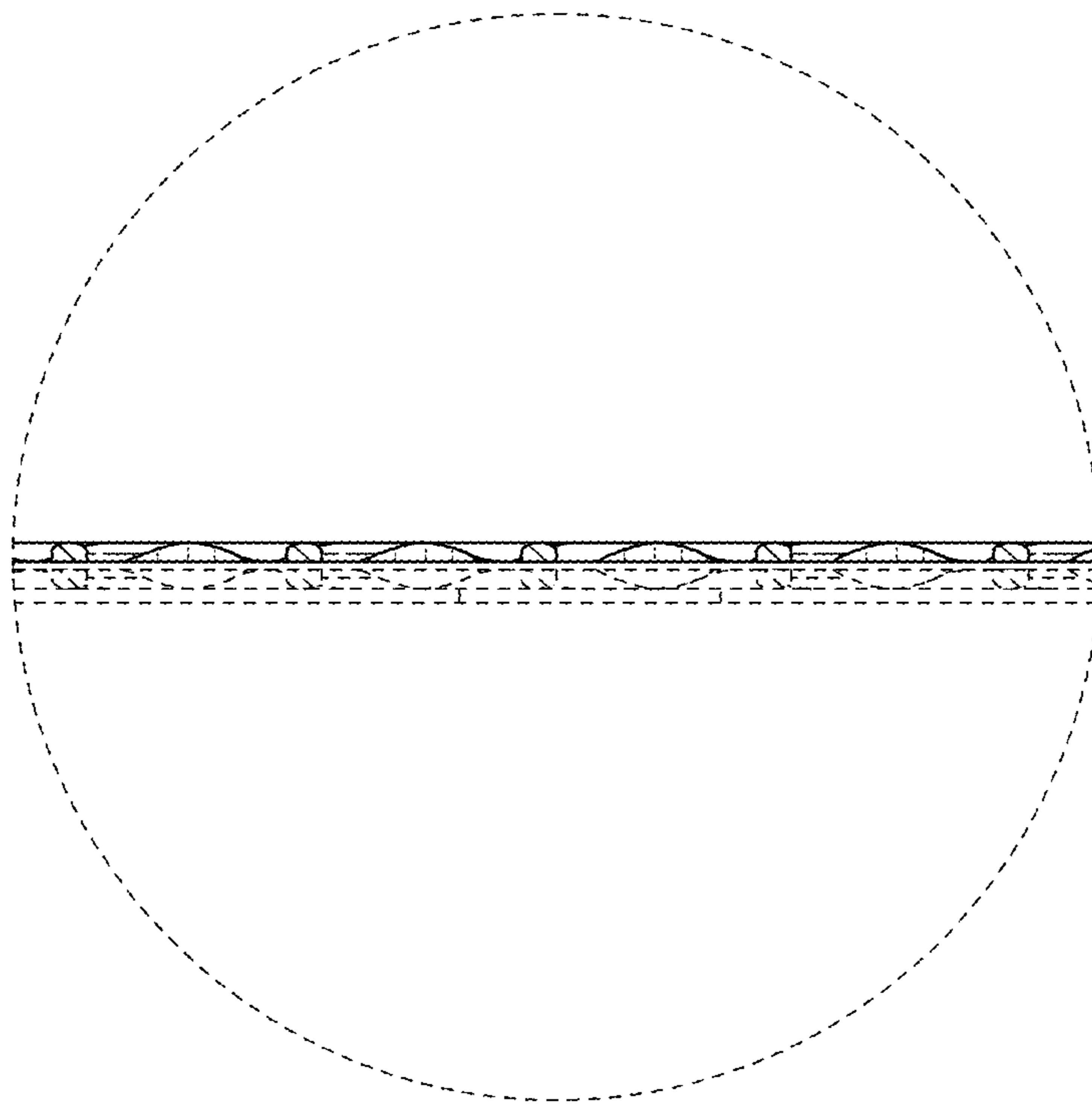


FIG. 13