



US00D975613S

(12) **United States Design Patent** (10) **Patent No.:** **US D975,613 S**
Price et al. (45) **Date of Patent:** **** Jan. 17, 2023**

(54) **VEHICLE FLOOR MAT**
(71) Applicant: **THERMOFLEX CORP.**, Waukegan, IL (US)
(72) Inventors: **Robert Price**, Mettawa, IL (US); **Jacob Price**, Winnetka, IL (US); **David Reband**, Antioch, IL (US)
(73) Assignee: **THERMOFLEX CORP.**, Waukegan, IL (US)
(**) Term: **15 Years**
(21) Appl. No.: **29/788,272**
(22) Filed: **Apr. 21, 2021**
(51) **LOC (14) Cl.** **06-11**
(52) **U.S. Cl.**
USPC **D12/203**
(58) **Field of Classification Search**
USPC D6/582-586, 592-584; D12/203, 221, D12/415, 419
CPC B60N 3/04
See application file for complete search history.

(56) **References Cited**
U.S. PATENT DOCUMENTS
D179,717 S * 2/1957 Caldwell D12/203
D413,850 S * 9/1999 Wang D12/203
D493,323 S * 7/2004 Juliano D6/582
D525,576 S * 7/2006 Lu D12/203
D542,203 S * 5/2007 Kraines D12/203
D555,562 S * 11/2007 Iacovelli D12/203
D608,709 S * 1/2010 Masanek, Jr. D12/203
D622,648 S * 8/2010 Lu D12/203
(Continued)

FOREIGN PATENT DOCUMENTS
CA 84922 * 10/1998

OTHER PUBLICATIONS
Amazon.com, Baselayer Cut to Fit Black 4 Piece, published Feb. 9, 2022[retrieved on Aug. 18, 2022]. Retrieved from the internet<https://

www.amazon.com/BaseLayer-Cut-Fit-Black-4-Piece/dp/B09S4HCSQG/ref=cm_cr_arp_d_product_top?ie=UTF8> (Year: 2022).*

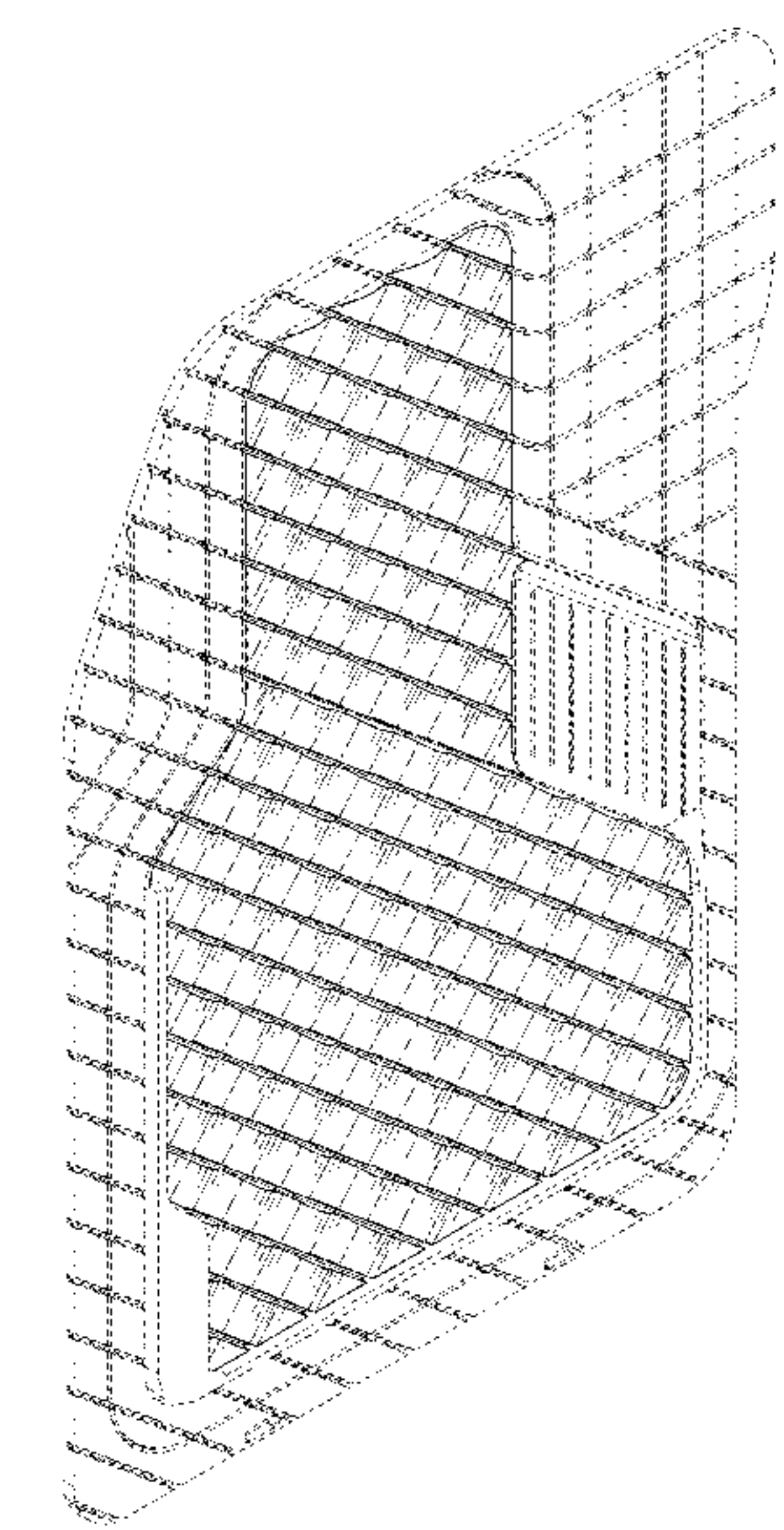
(Continued)

Primary Examiner — Joseph Kukella
Assistant Examiner — Lavon M. Amerson
(74) *Attorney, Agent, or Firm* — Grossman, Tucker, Perreault & Pflieger, PLLC

(57) **CLAIM**
The ornamental design for a vehicle floor mat, as shown and described.

DESCRIPTION
FIG. 1 is a perspective view of the vehicle floor mat of an embodiment showing our new design;
FIG. 2 is a top plan view thereof;
FIG. 3 is a bottom plan view thereof;
FIG. 4 is a left elevation view thereof;
FIG. 5 is a right elevation view thereof;
FIG. 6 is a front elevation view thereof;
FIG. 7 is a rear elevation view thereof;
FIG. 8 is a cross-sectional view taken along line 8-8 of FIG. 2;
FIG. 9 is an enlarged cross-sectional view of FIG. 8 as bounded by circle 9;
FIG. 10 is a cross-sectional view taken along line 10-10 of FIG. 2;
FIG. 11 is an enlarged cross-sectional view of FIG. 10 as bounded by circle 11;
FIG. 12 is a cross-sectional view taken along line 12-12 of FIG. 2; and,
FIG. 13 is an enlarged cross-sectional view of FIG. 12 as bounded by circle 13.
The broken lines shown in FIGS. 1-13 are included to show portions of the vehicle floor mat that form no part of the claimed design.

1 Claim, 9 Drawing Sheets



(56)

References Cited

U.S. PATENT DOCUMENTS

D680,932	S *	4/2013	Lu	D12/203
D697,465	S *	1/2014	Lu	D12/203
D697,857	S *	1/2014	Kingsbury	D12/203
8,658,269	B1 *	2/2014	Parkes	B29C 45/14786 428/95
9,248,769	B2 *	2/2016	Price	B29C 45/14336
D777,072	S *	1/2017	Gross	D12/203
D793,935	S *	8/2017	Alesi	D12/203
D798,796	S *	10/2017	Yang	D12/331
D820,756	S *	6/2018	Alesi	D12/203
D845,852	S *	4/2019	Johnson	D12/203
D877,675	S *	3/2020	Khamtanh	D12/203
10,676,004	B2 *	6/2020	Milella, Jr.	B60N 3/048
D929,285	S *	8/2021	Chang	D12/203
D937,168	S *	11/2021	Chang	D12/203
D941,207	S *	1/2022	Chang	D12/203
D943,480	S *	2/2022	Yang	D12/203
D945,341	S *	3/2022	Wu	D12/203
2001/0020316	A1 *	9/2001	Ferreira	B29D 99/0057 428/156

OTHER PUBLICATIONS

The Home Depot, Beige 3-Piece Heavy Duty Rubber Liners ClimaProof Trimmable Car Floor Mats, published Apr. 9, 2020,[retrieved on Aug. 18, 2022]. Retrieved from the internet<<https://www.homedepot.com/p/FH-Group-Beige-3-Piece-Heavy-Duty-Rubber-Liners-ClimaProof-Trimable-Car-Floor-Mats-Full-Set>> (Year: 2020).*

Auto Accessories Garage, Weather Tech AVM Floor Mats, published Mar. 14, 2021,[retrieved on Aug. 18, 2022]. Retrieved from the internet<<https://www.autoaccessoriesgarage.com/Floor-Mats-Liners/WeatherTech-AVM-Floor-Mats>> (Year: 2021).*

* cited by examiner

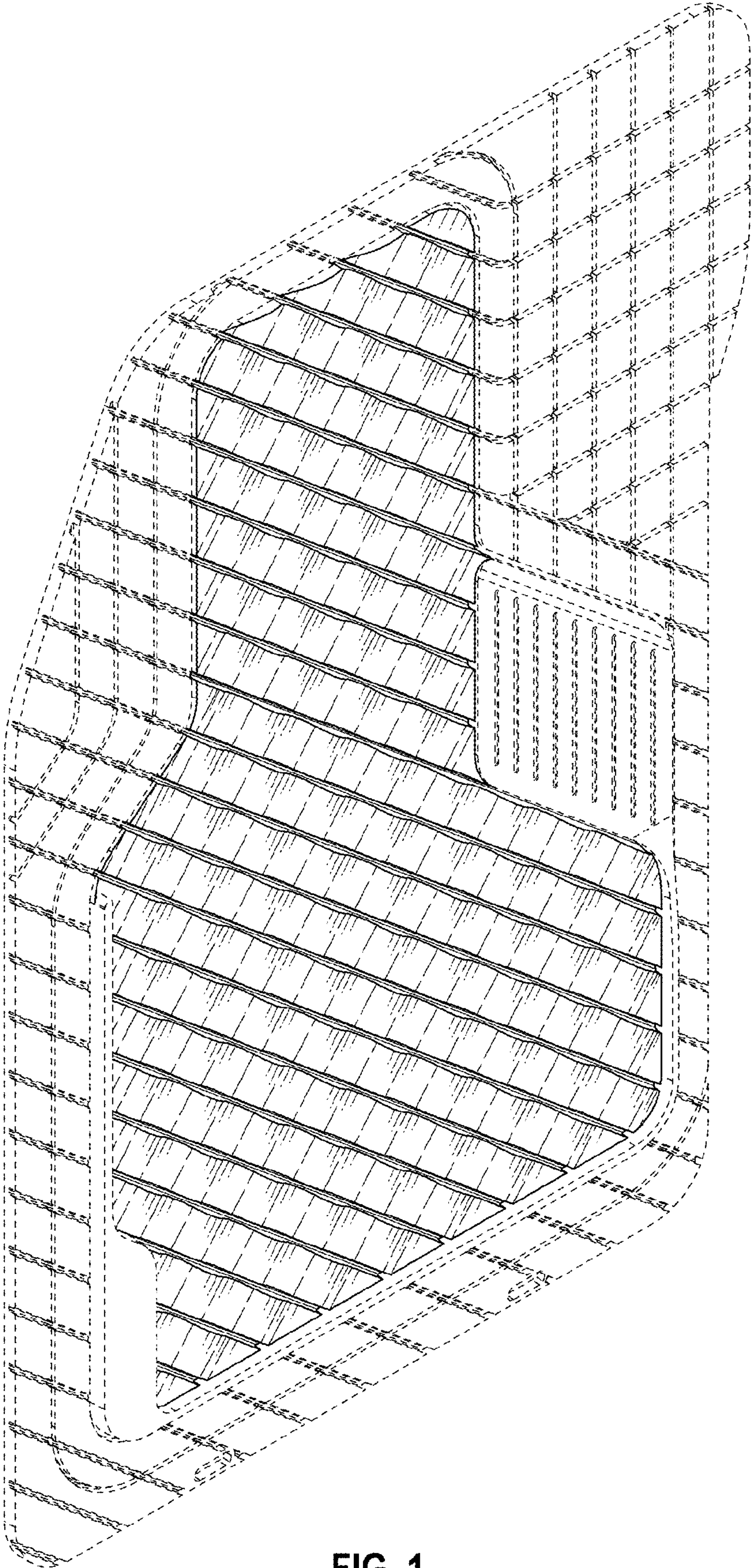


FIG. 1

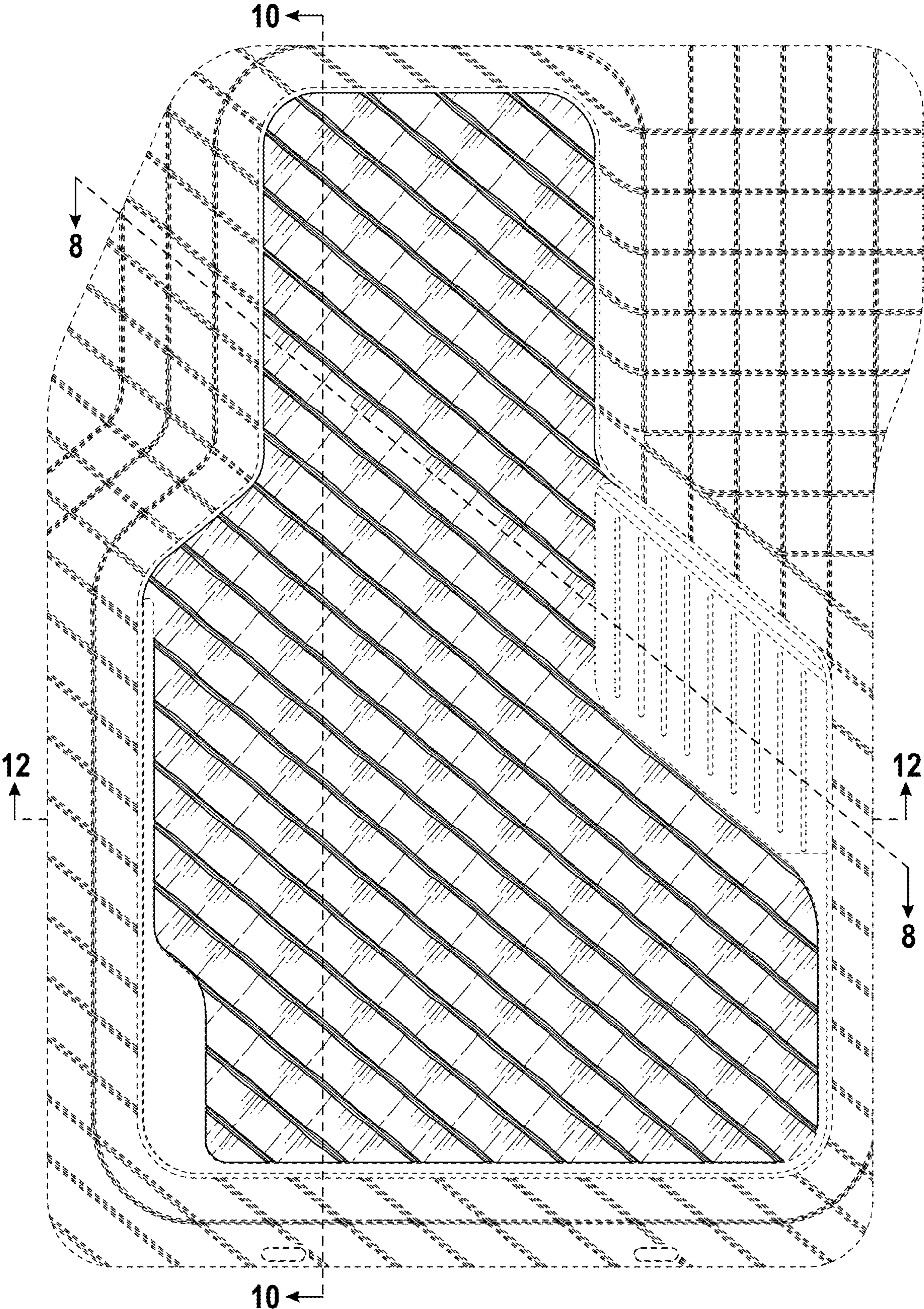


FIG. 2

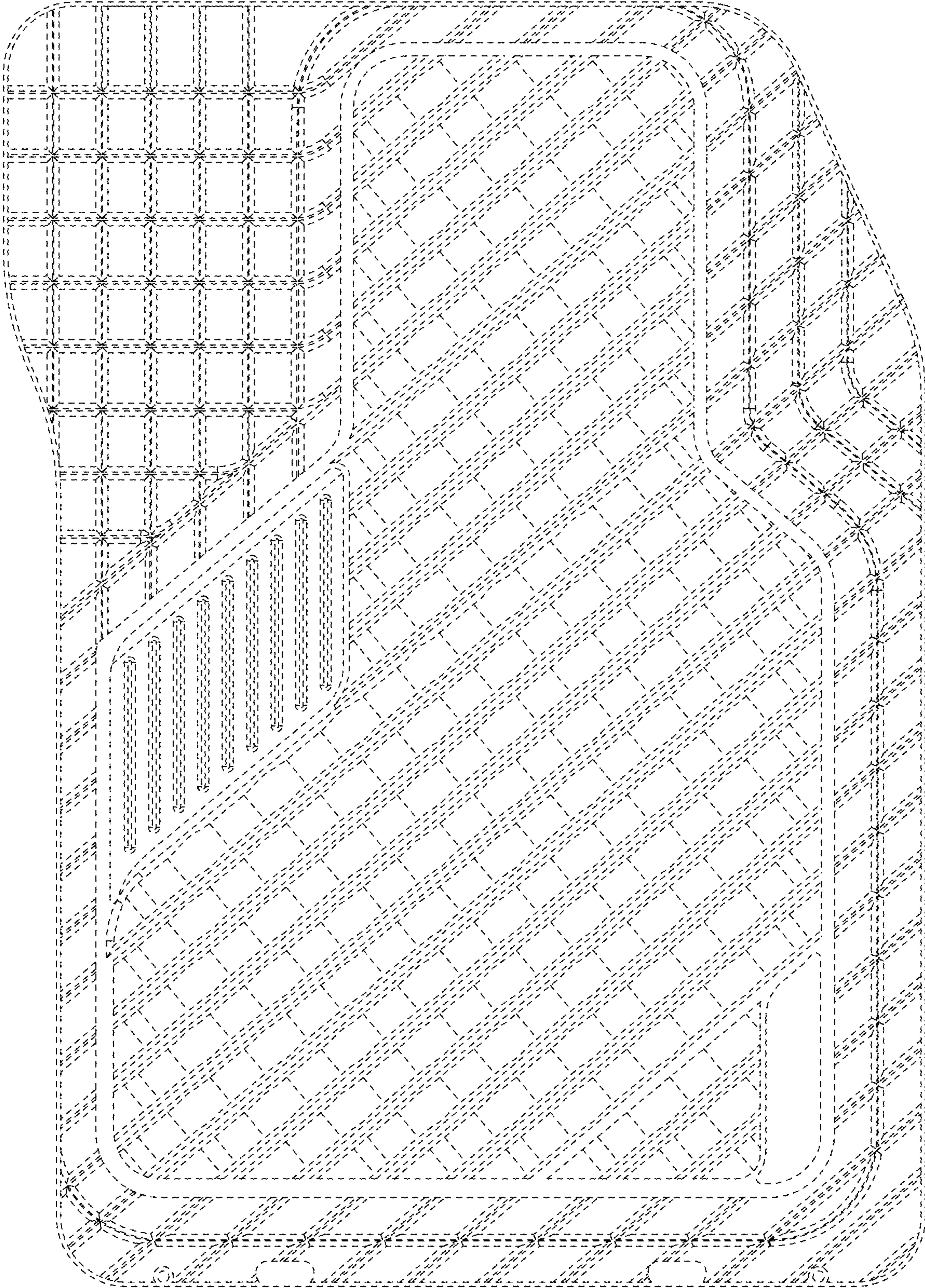


FIG. 3



FIG. 4



FIG. 5

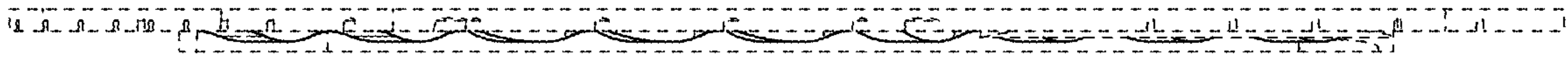


FIG. 6



FIG. 7

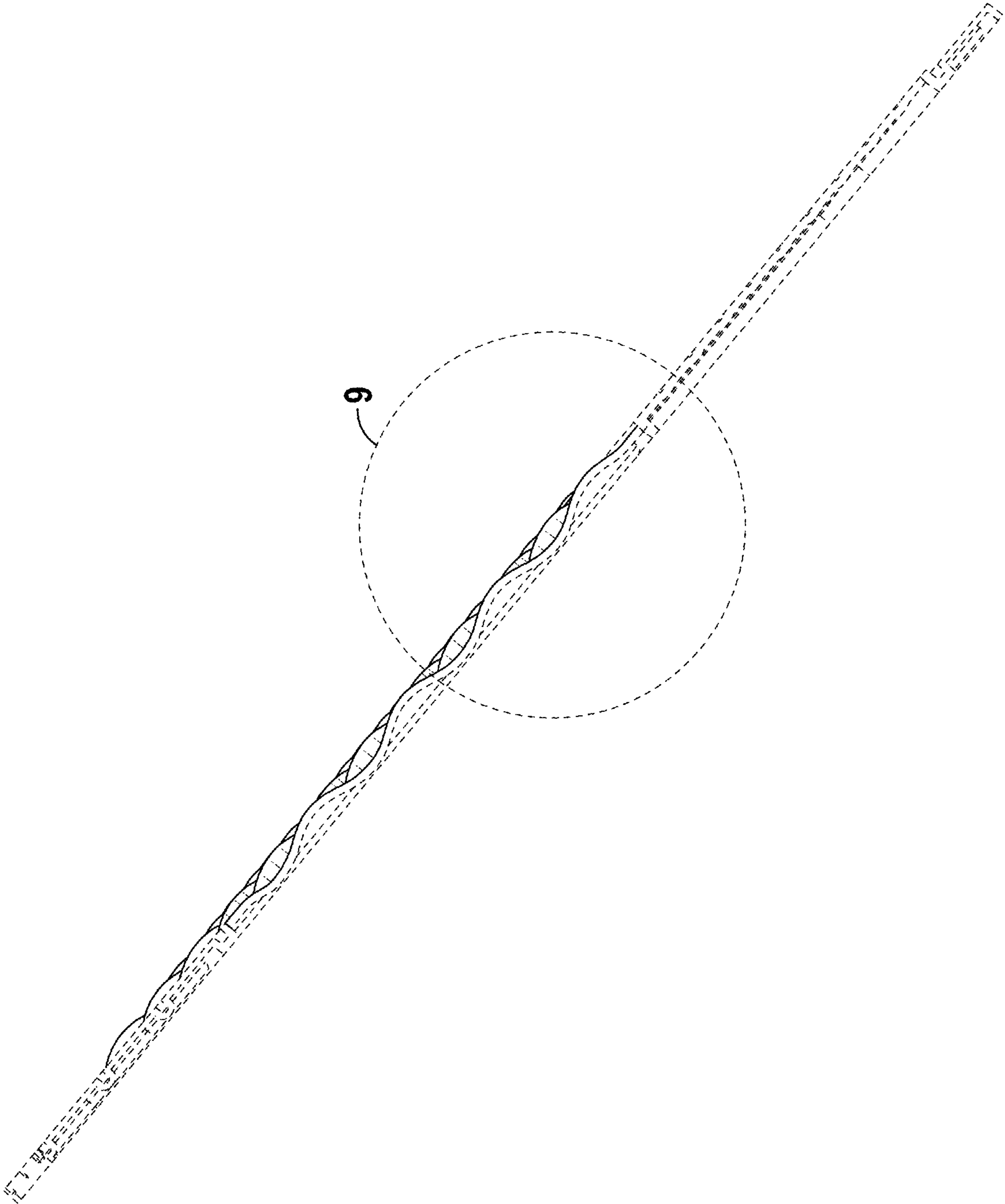


FIG. 8

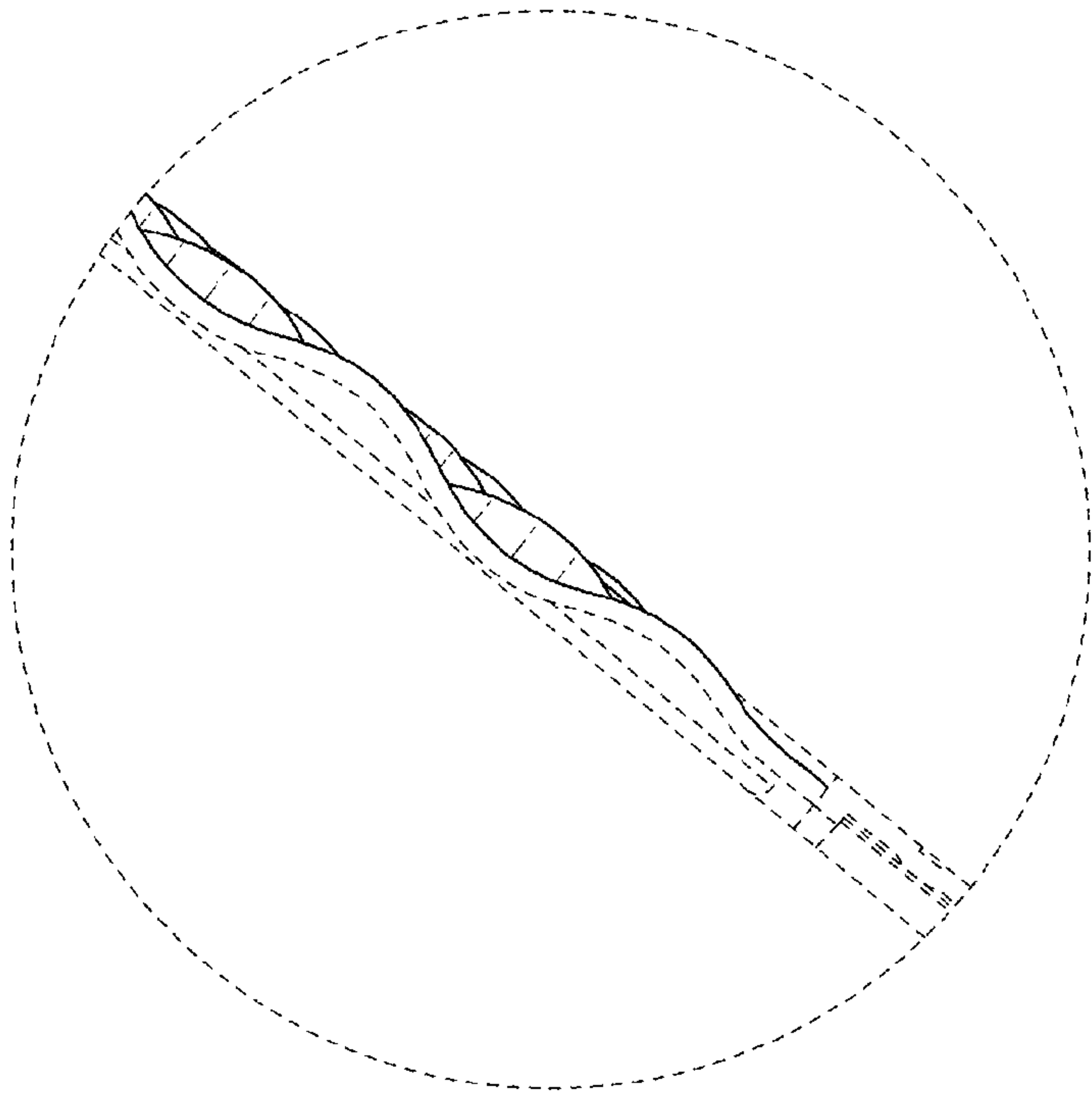


FIG. 9

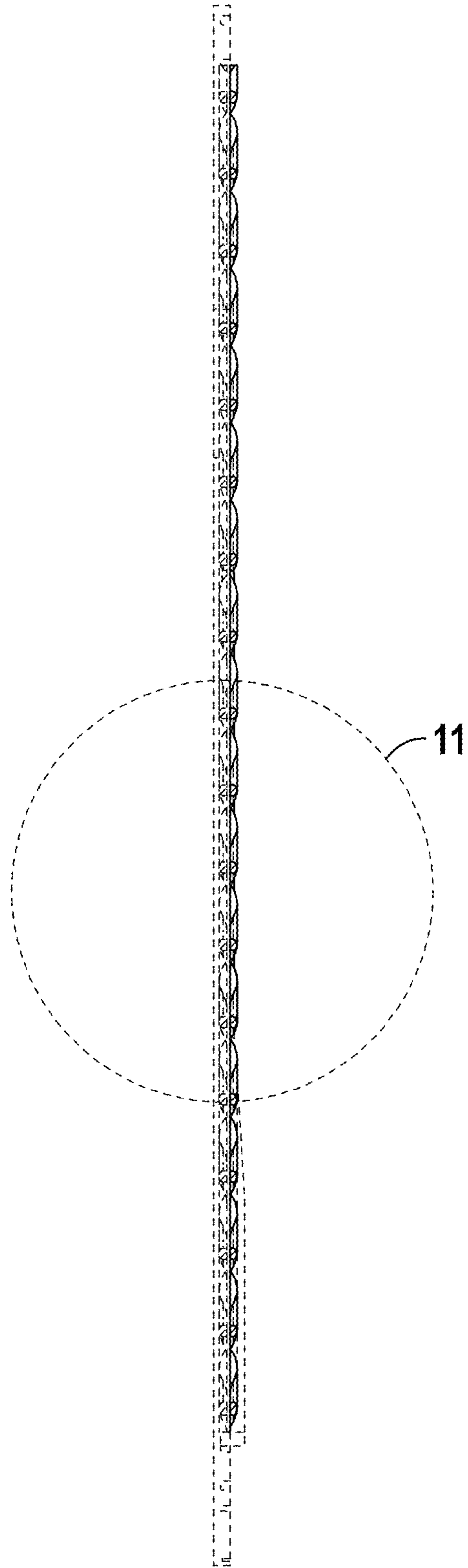


FIG. 10

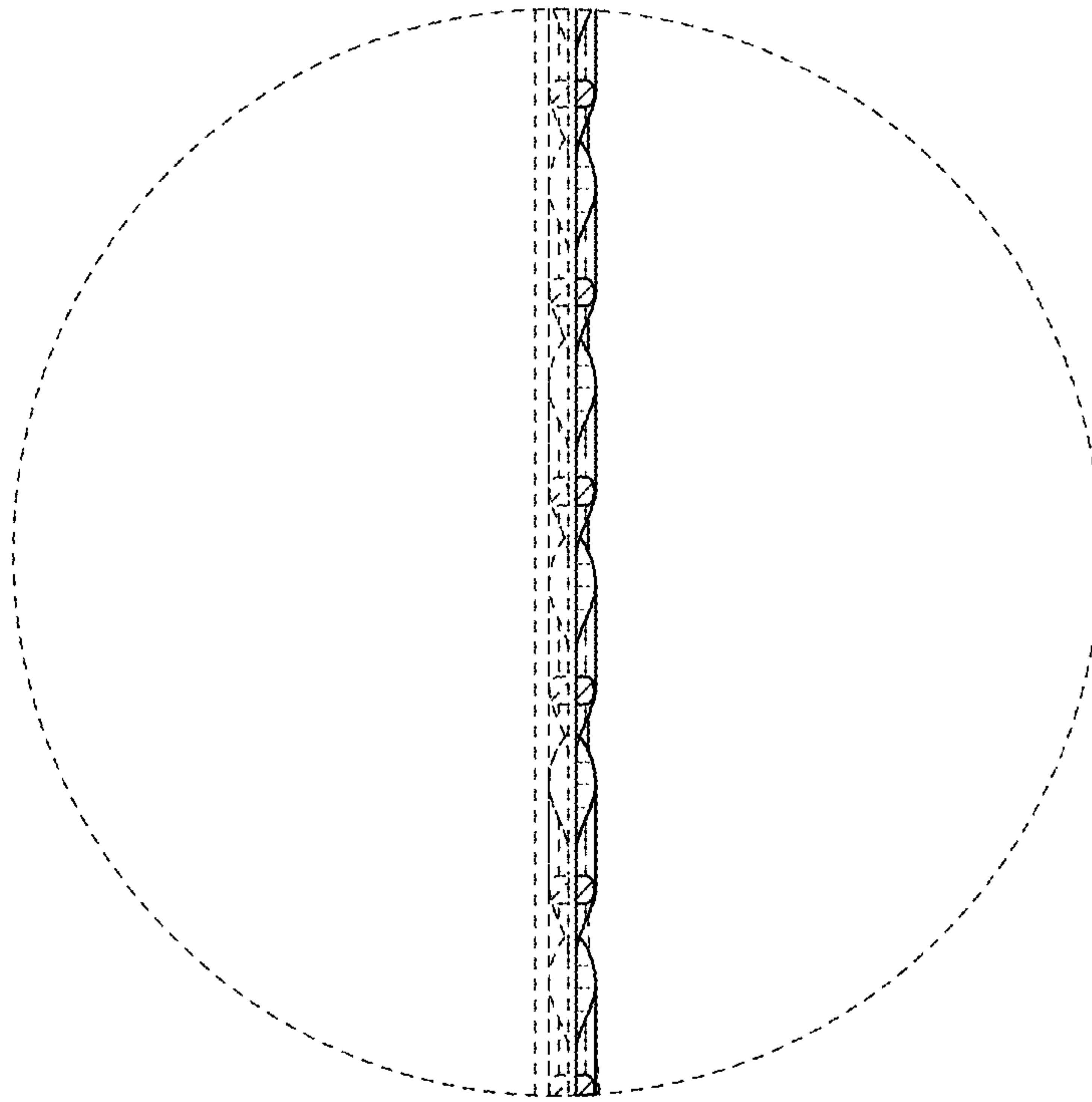


FIG. 11

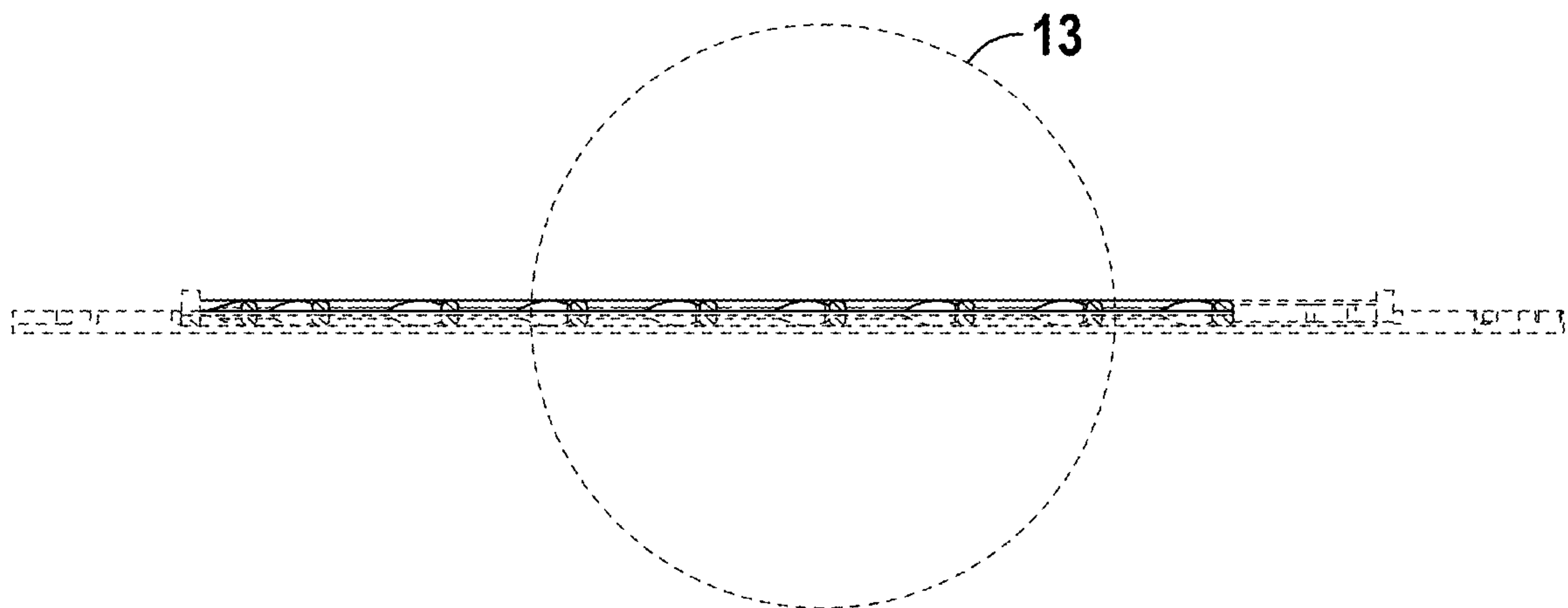


FIG. 12

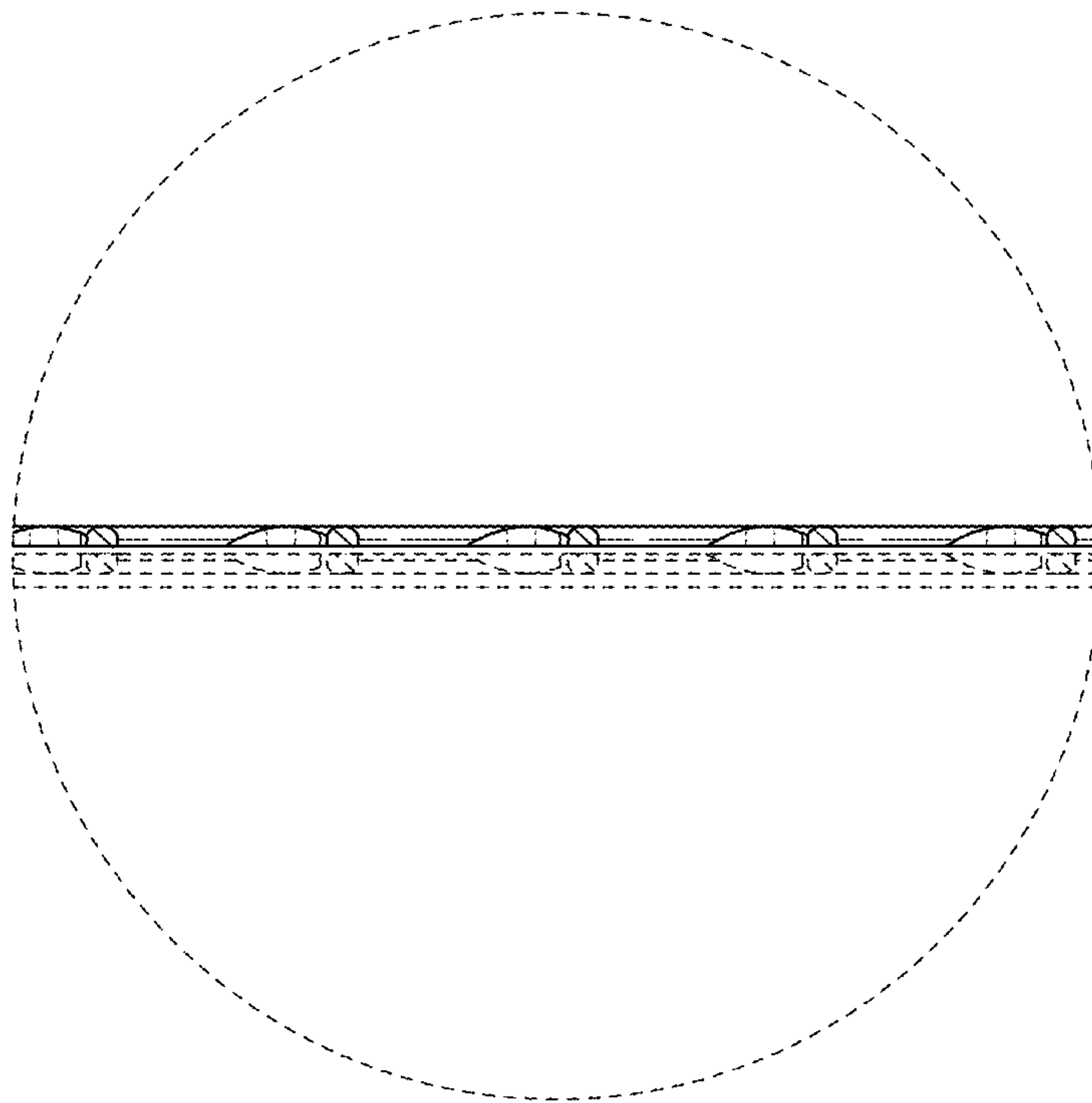


FIG. 13