



US00D975611S

(12) **United States Design Patent**
Shen

(10) **Patent No.:** **US D975,611 S**

(45) **Date of Patent:** **** Jan. 17, 2023**

(54) **LICENSE PLATE FRAME**

(71) Applicant: **Junmin Shen**, Huizhou (CN)

(72) Inventor: **Junmin Shen**, Huizhou (CN)

(**) Term: **15 Years**

(21) Appl. No.: **29/847,052**

(22) Filed: **Jul. 21, 2022**

(51) **LOC (14) Cl.** **12-16**

(52) **U.S. Cl.**
USPC **D12/193**

(58) **Field of Classification Search**
USPC D12/193, 223; D6/300, 301, 302, 310,
D6/311, 312, 313, 314; D20/13;
D26/28-38; D8/354, 363, 366
CPC B60R 13/10; B60R 13/105; B60R 19/24;
B60R 19/52
See application file for complete search history.

(56) **References Cited**

U.S. PATENT DOCUMENTS

D41,388 S *	5/1911	Rosenbluth	D12/193
D41,389 S *	5/1911	Rosenbluth	D12/193
D41,899 S *	11/1911	Rosenbluth	D12/193
D523,802 S *	6/2006	Reimitz	D12/223
D533,828 S *	12/2006	Reimitz	D12/223

D538,734 S *	3/2007	Reimitz	D12/223
D539,208 S *	3/2007	Reimitz	D12/223
D888,634 S *	6/2020	Diaz	D12/193
D890,663 S *	7/2020	Nowakowski	D12/193
D892,011 S *	8/2020	Melrose	D12/193
D892,690 S	8/2020	Filakousky		
D896,145 S *	9/2020	Melrose	D12/193
D906,915 S *	1/2021	Pham	D12/193
D951,163 S *	5/2022	Su	D12/193

* cited by examiner

Primary Examiner — Cary M Robinson

Assistant Examiner — Adam C Mager

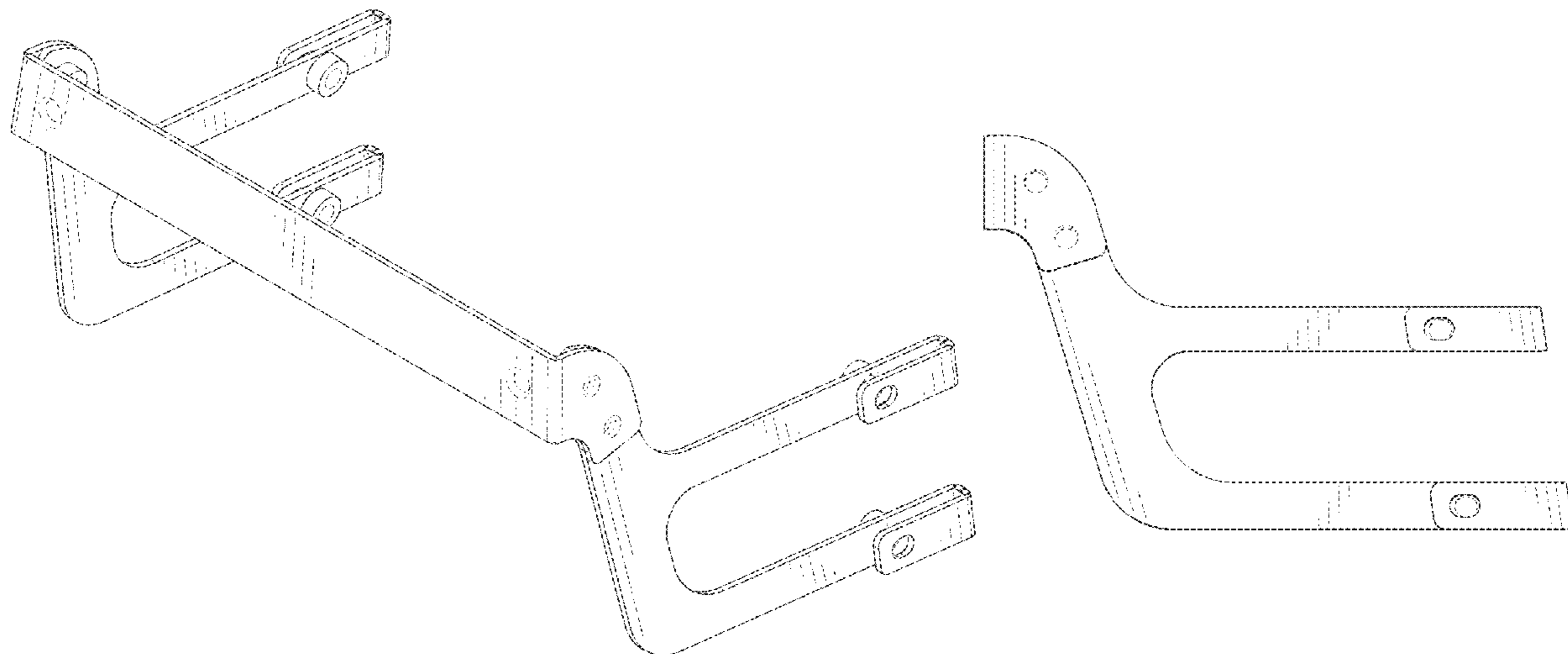
(57) **CLAIM**

The ornamental design for a license plate frame, as shown and described.

DESCRIPTION

FIG. 1 is a front and top perspective view of a license plate frame, showing my new design;
FIG. 2 is a rear and bottom perspective view thereof;
FIG. 3 is a front elevation view thereof;
FIG. 4 is a rear elevation view thereof;
FIG. 5 is a left side elevation view thereof;
FIG. 6 is a right side elevation view thereof;
FIG. 7 is a top plan view thereof; and,
FIG. 8 is a bottom plan view thereof.
The broken lines in the figures illustrate portions of the license plate frame that form no part of the claimed design.

1 Claim, 8 Drawing Sheets



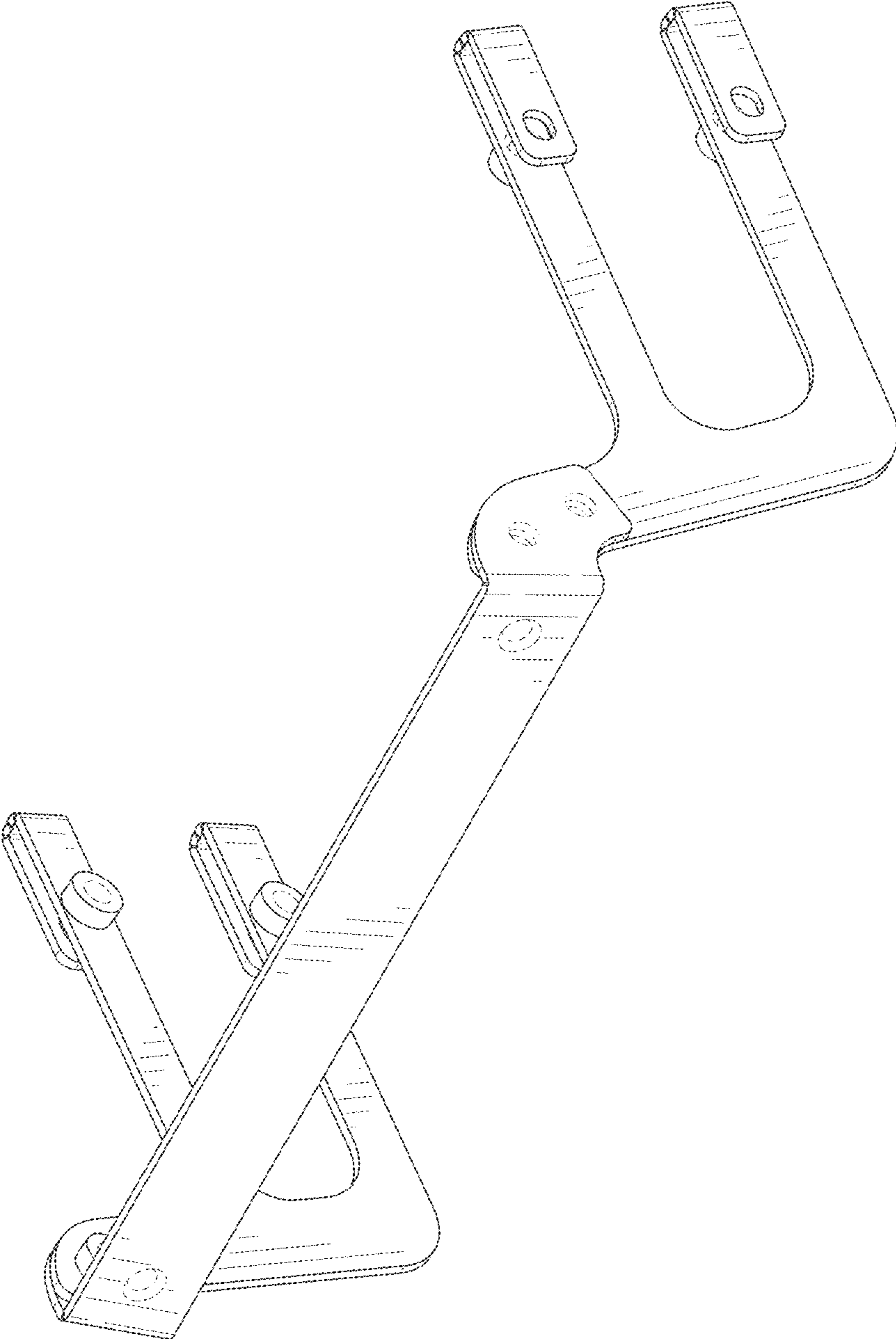


FIG. 1

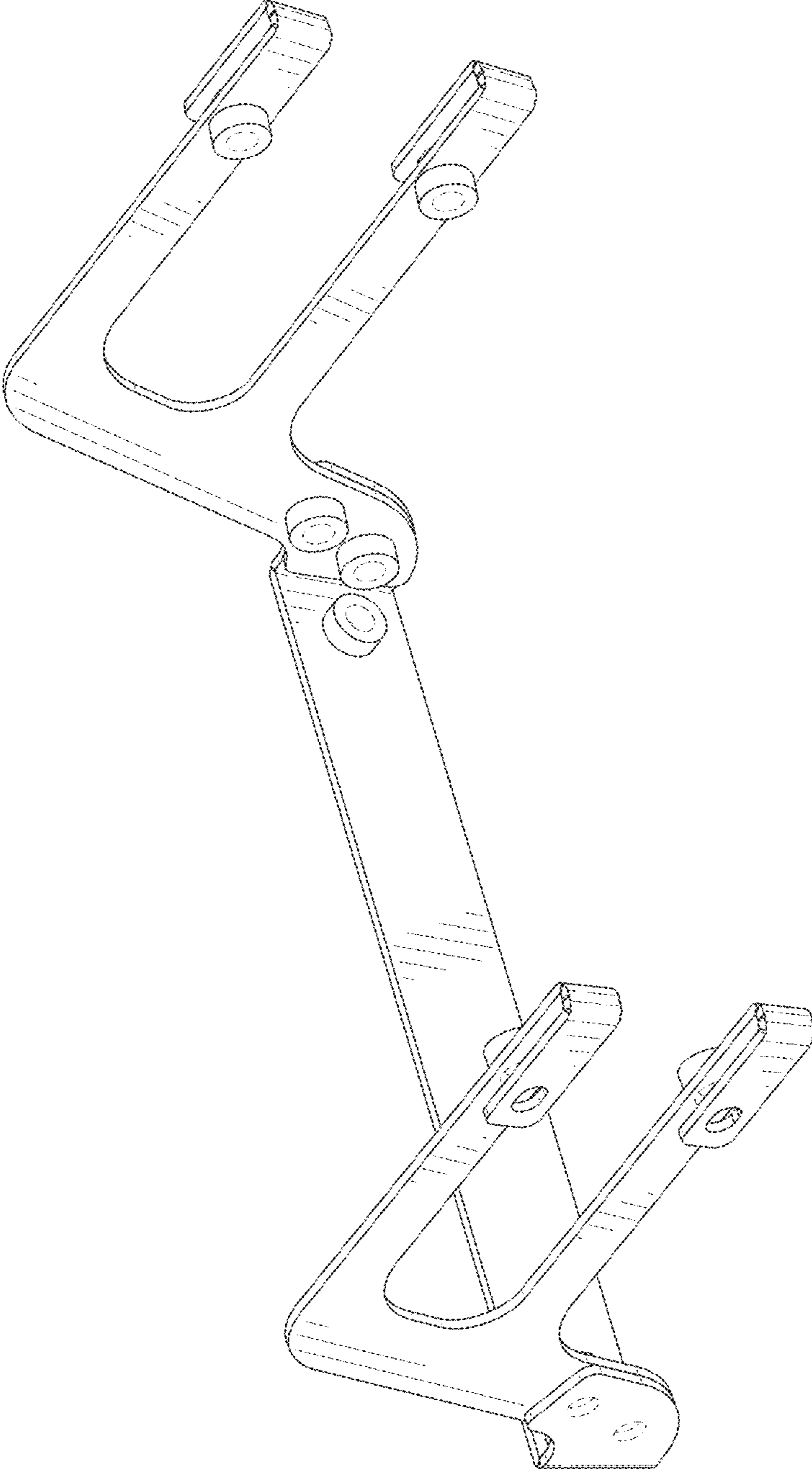


FIG. 2

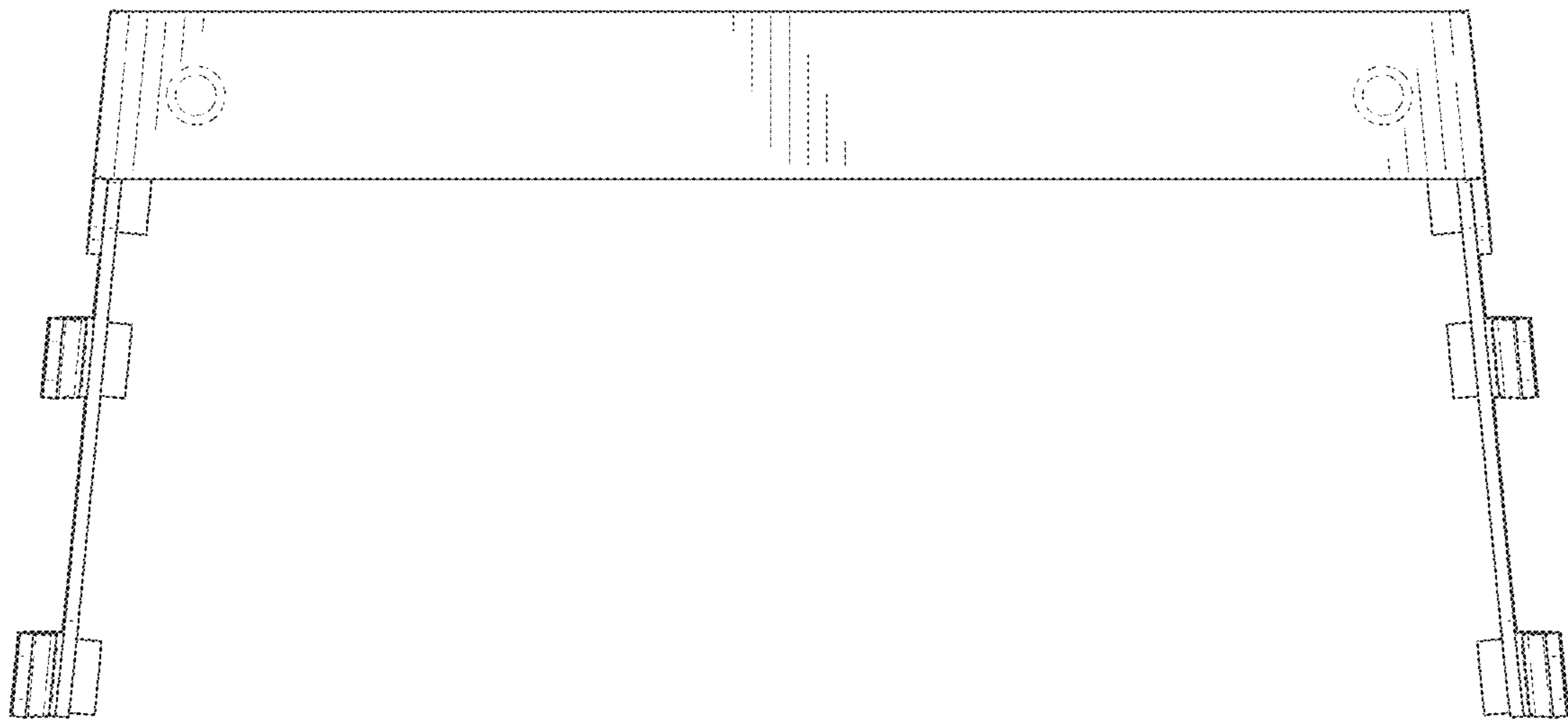


FIG. 3



FIG. 4

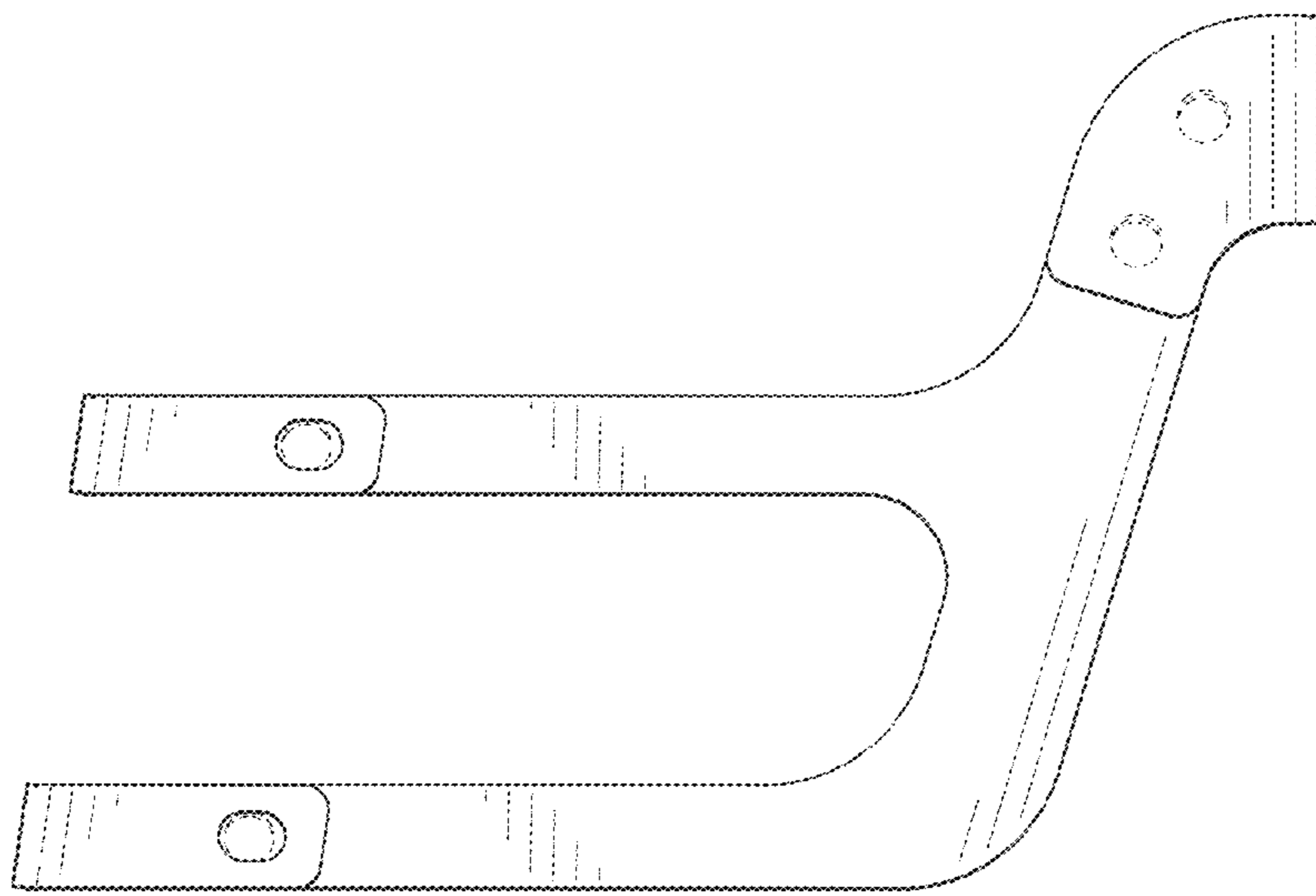


FIG. 5

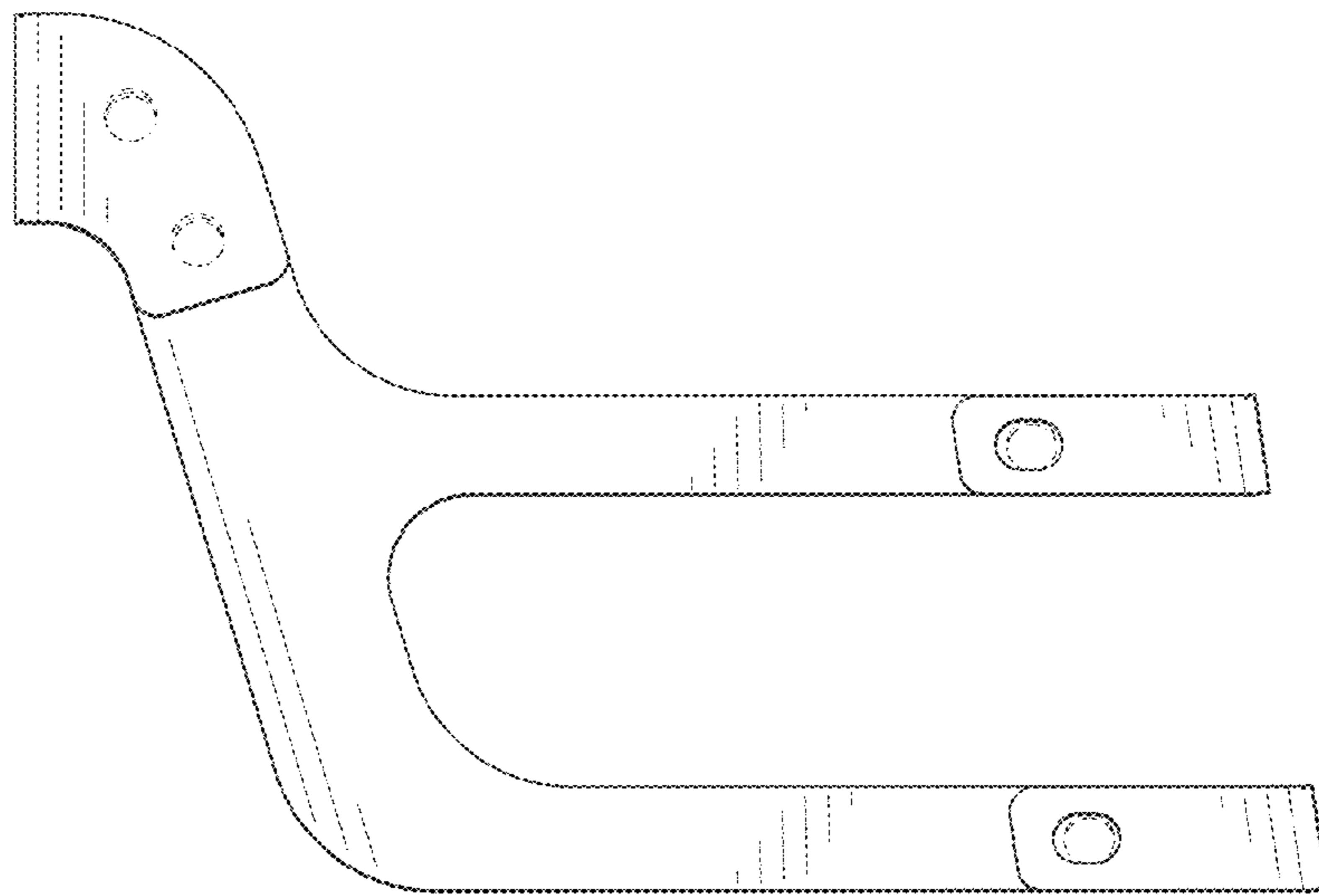


FIG. 6

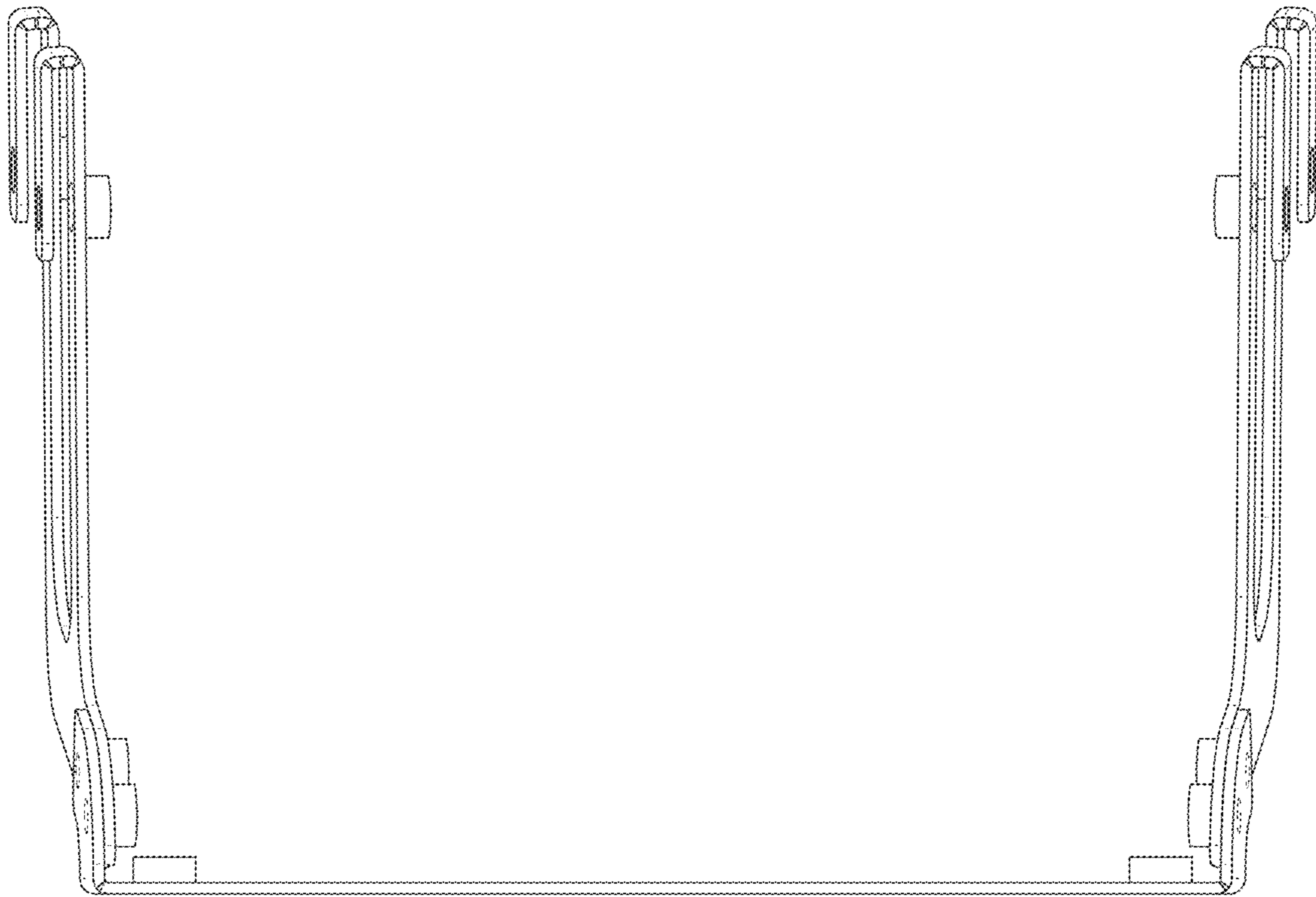


FIG. 7

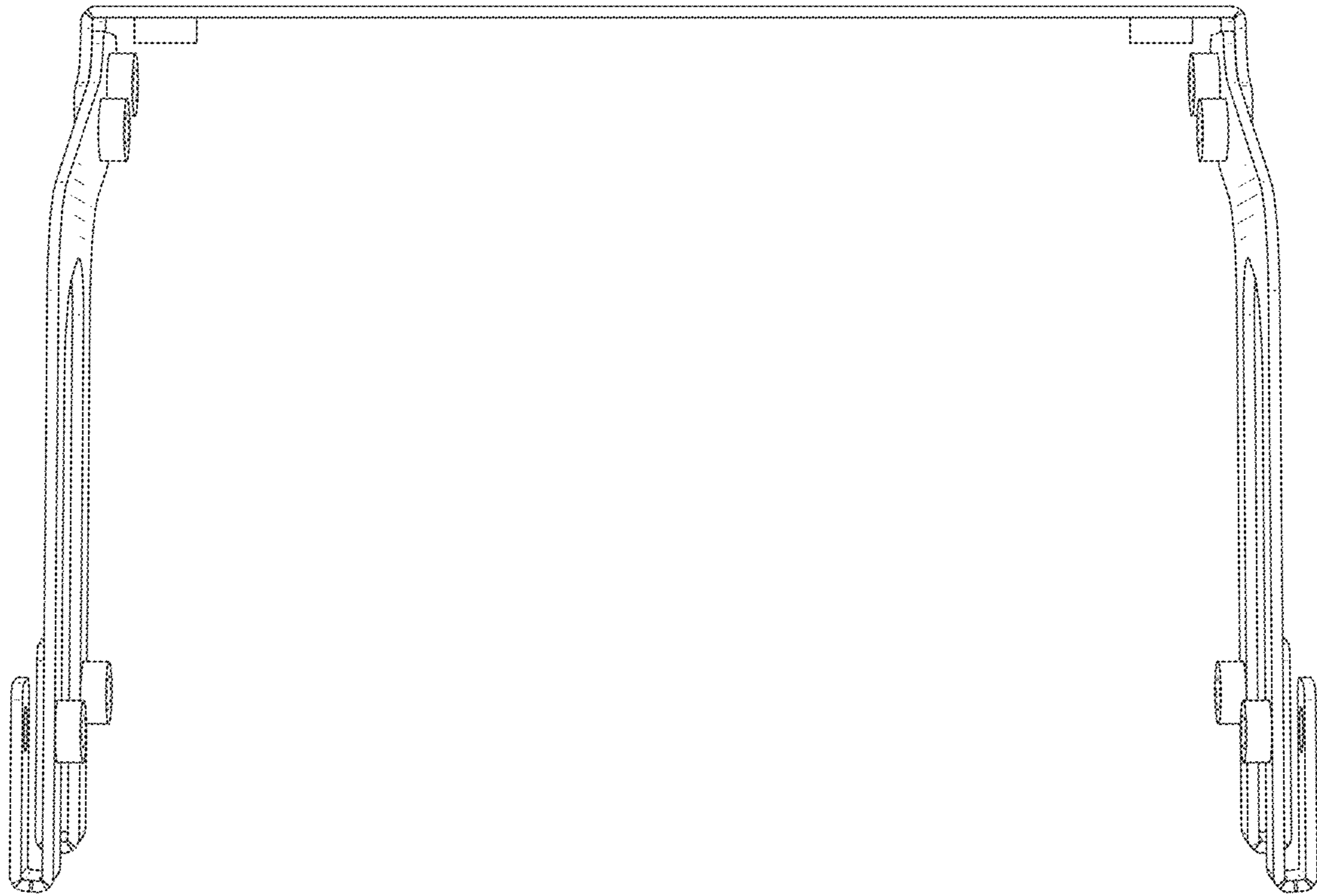


FIG. 8