

US00D975609S

(12) **United States Design Patent**  
**Giordano et al.**

(10) **Patent No.:** **US D975,609 S**  
(45) **Date of Patent:** **\*\* Jan. 17, 2023**

(54) **MOUNTING BRACKET FOR A REAR-VIEW MIRROR ACCESSORY**

*Primary Examiner* — Susan E Krakower  
*Assistant Examiner* — Jerry Shiuhan-Hua Hsu

(71) Applicant: **J28 Design Inc.**, Cotati, CA (US)

(57) **CLAIM**

(72) Inventors: **Michael Giordano**, Rohnert Park, CA (US); **Sebastien Jame**, Sebastopol, CA (US)

The ornamental design for mounting bracket for a rear-view mirror accessory, as shown and described.

(73) Assignee: **J28 DESIGN INC.**, Cotati, CA (US)

**DESCRIPTION**

(\*\*) Term: **15 Years**

(21) Appl. No.: **29/779,709**

(22) Filed: **Apr. 20, 2021**

(51) **LOC (14) Cl.** ..... **12-16**

(52) **U.S. Cl.**  
USPC ..... **D12/187**

(58) **Field of Classification Search**  
USPC ..... D12/187, 188, 189, 223, 415; D8/349,  
D8/354, 373, 396; D10/74; D6/300, 309  
CPC ..... B60R 11/00; B60R 11/02; B60K 37/04;  
B60K 37/06  
See application file for complete search history.

FIG. 1 is a top front perspective view of mounting bracket for a rear-view mirror accessory, the clamp being in an open configuration;  
FIG. 2 is a bottom rear perspective view thereof;  
FIG. 3 is a top plan view thereof;  
FIG. 4 is a bottom plan view thereof;  
FIG. 5 is a left side elevation view thereof;  
FIG. 6 is a right side elevation view thereof;  
FIG. 7 is a front elevation view thereof;  
FIG. 8 is a back elevation view thereof;  
FIG. 9 is a top front perspective view thereof, shown in a closed configuration;  
FIG. 10 is a bottom rear perspective view thereof;  
FIG. 11 is a top plan view thereof;  
FIG. 12 is a bottom plan view thereof;  
FIG. 13 is a left side elevation view thereof;  
FIG. 14 is a right side elevation view thereof;  
FIG. 15 is a front elevation view thereof;  
FIG. 16 is a back elevation view thereof;  
FIG. 17 is a perspective view thereof, shown in a state of use; and,  
FIG. 18 is a left side elevation view thereof.  
The dash-dash broken lines depict portions of the mounting bracket for a rear-view mirror accessory which form no part of the claimed design. The dash-dash broken lines showing a mirror and radar detector in FIGS. 17 and 18 illustrate environmental structure which forms no part of the claimed design. The dash-dot broken lines illustrating the boundary of the claim and form no part of the claimed design.

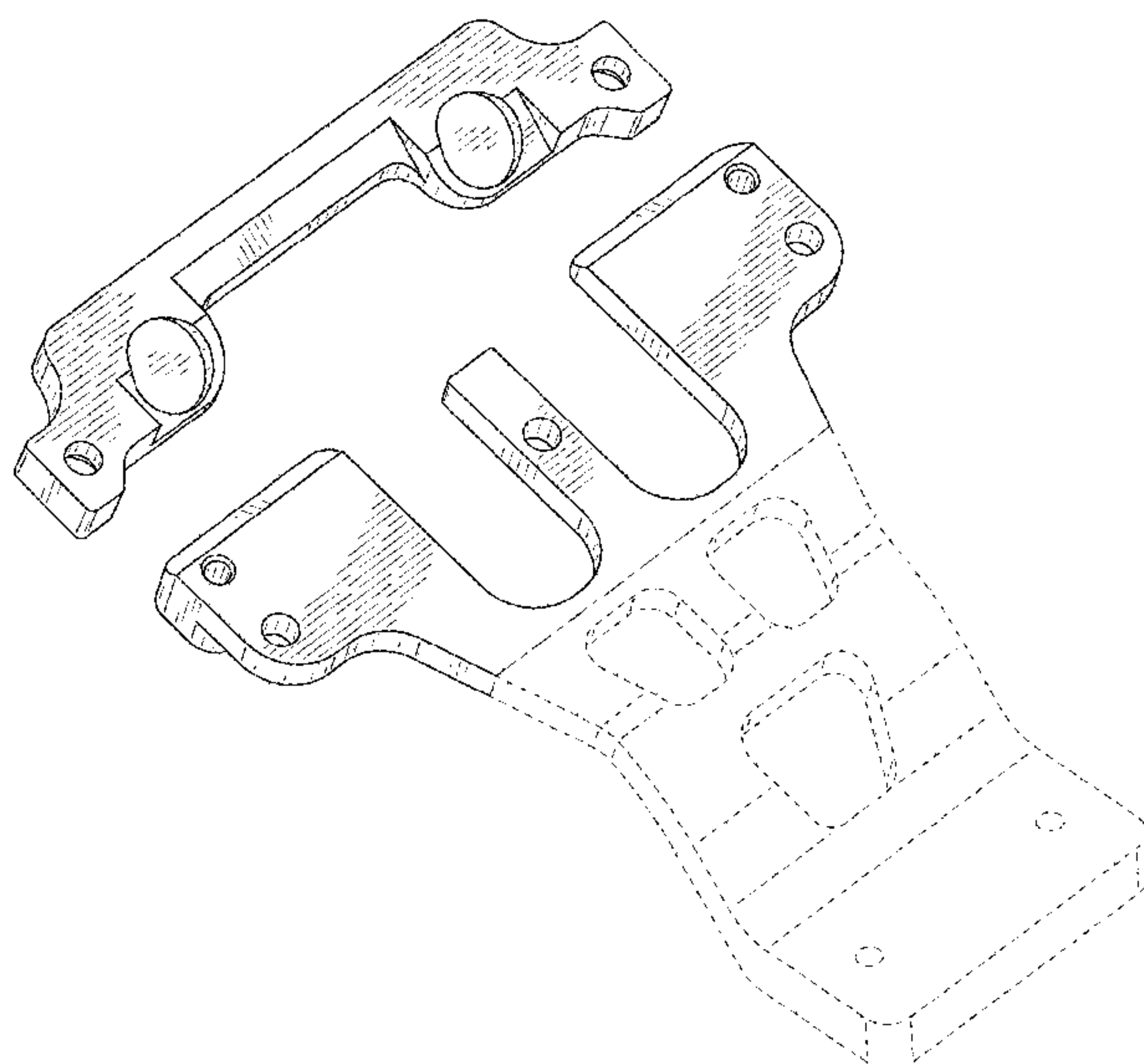
(56) **References Cited**

**U.S. PATENT DOCUMENTS**

5,826,836	A	*	10/1998	Gallichan	.....	B60R 11/02 248/231.9
D653,980	S	*	2/2012	Giordano	.....	D10/74
D656,811	S	*	4/2012	Giordano	.....	D8/349
D690,245	S	*	9/2013	Giordano	.....	D12/187
D690,247	S	*	9/2013	Giordano	.....	D12/187
D722,931	S	*	2/2015	Giordano	.....	D12/187
D758,951	S	*	6/2016	Unterlechner	.....	D12/415
D782,294	S	*	3/2017	Dordick	.....	D8/396
D803,757	S	*	11/2017	Giordano	.....	D12/415
D809,991	S	*	2/2018	Giordano	.....	D12/415
D917,370	S	*	4/2021	Harriton	.....	D8/382
D917,371	S	*	4/2021	Harriton	.....	D8/382

\* cited by examiner

**1 Claim, 12 Drawing Sheets**



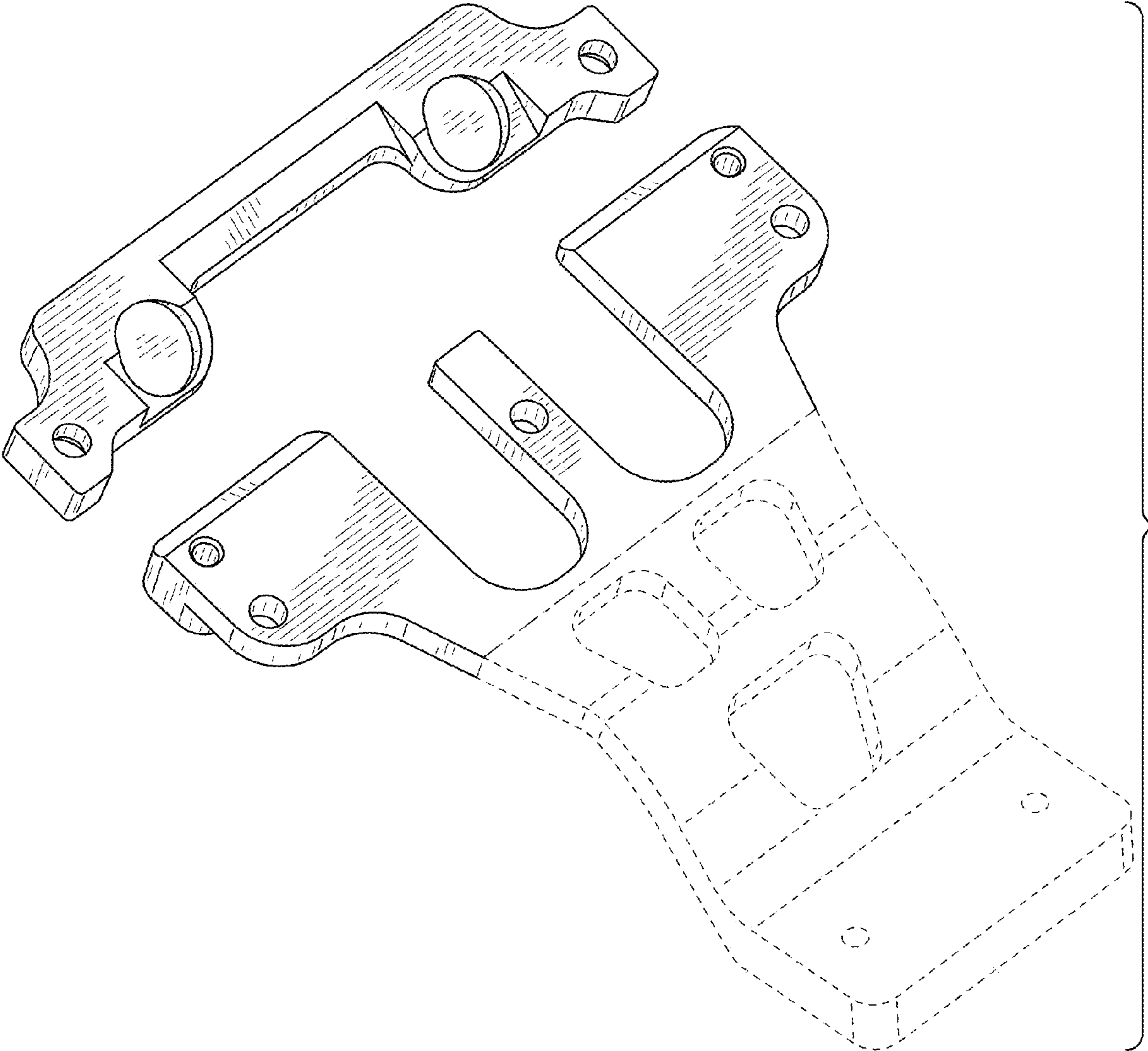


FIG. 1

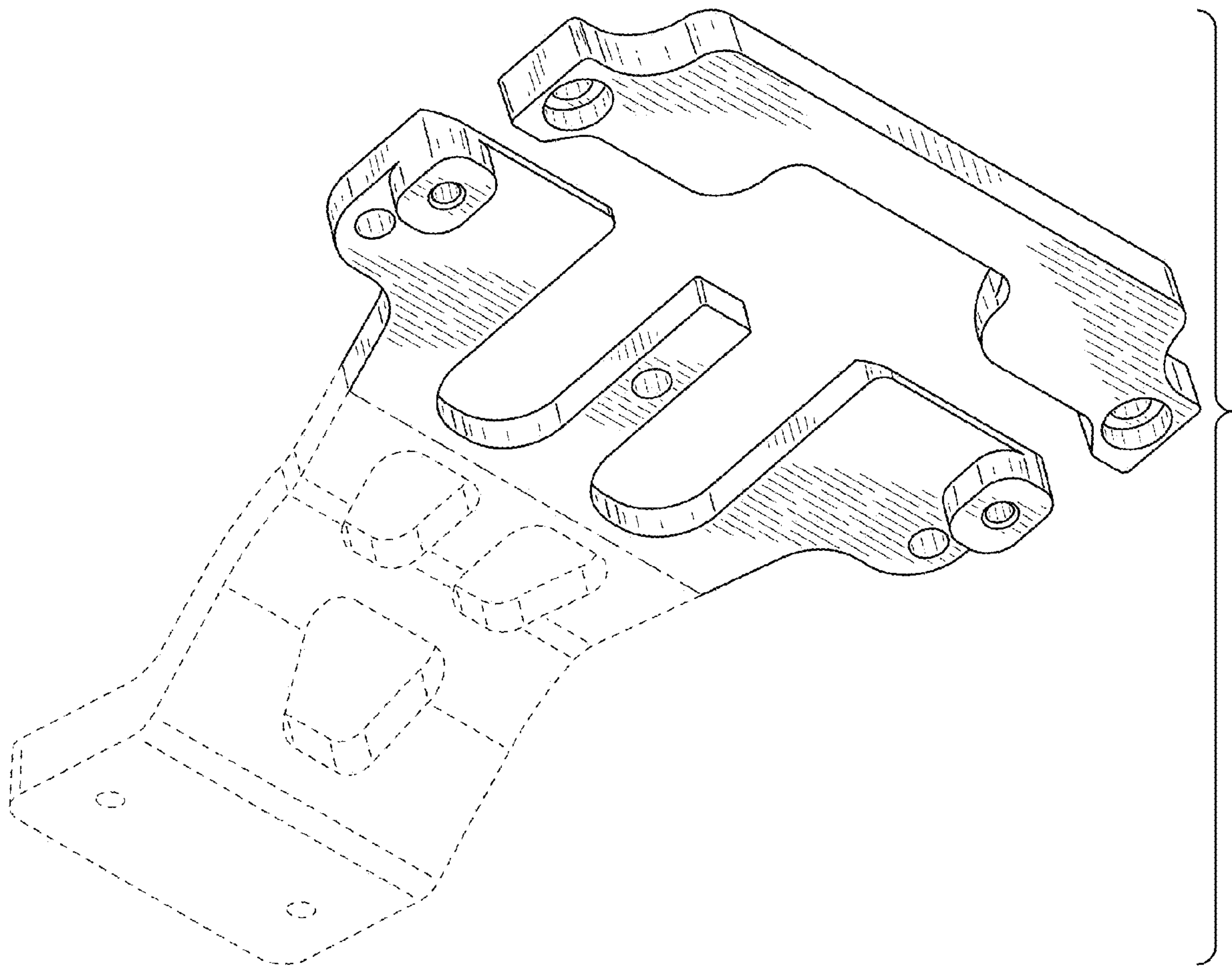


FIG. 2

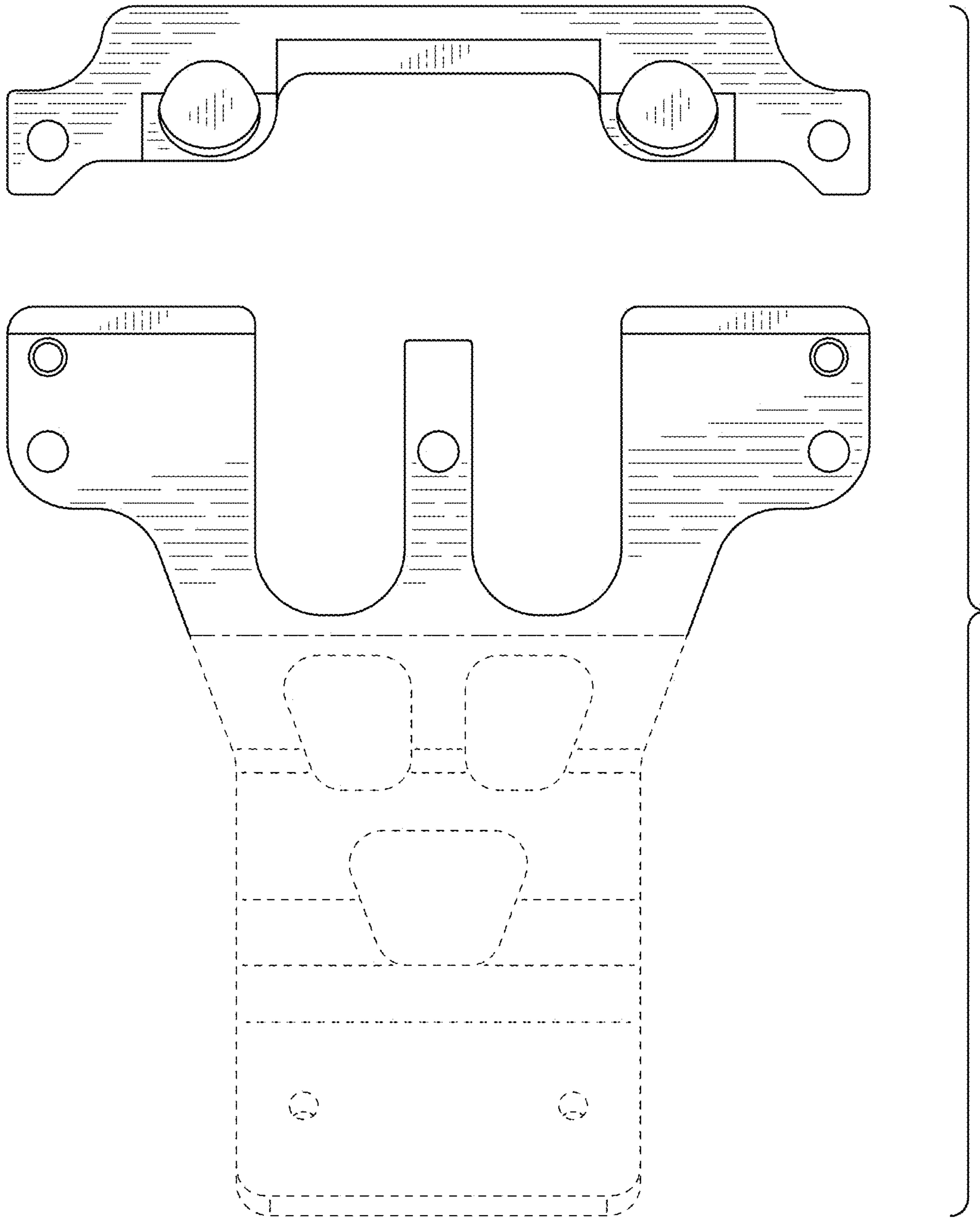


FIG. 3



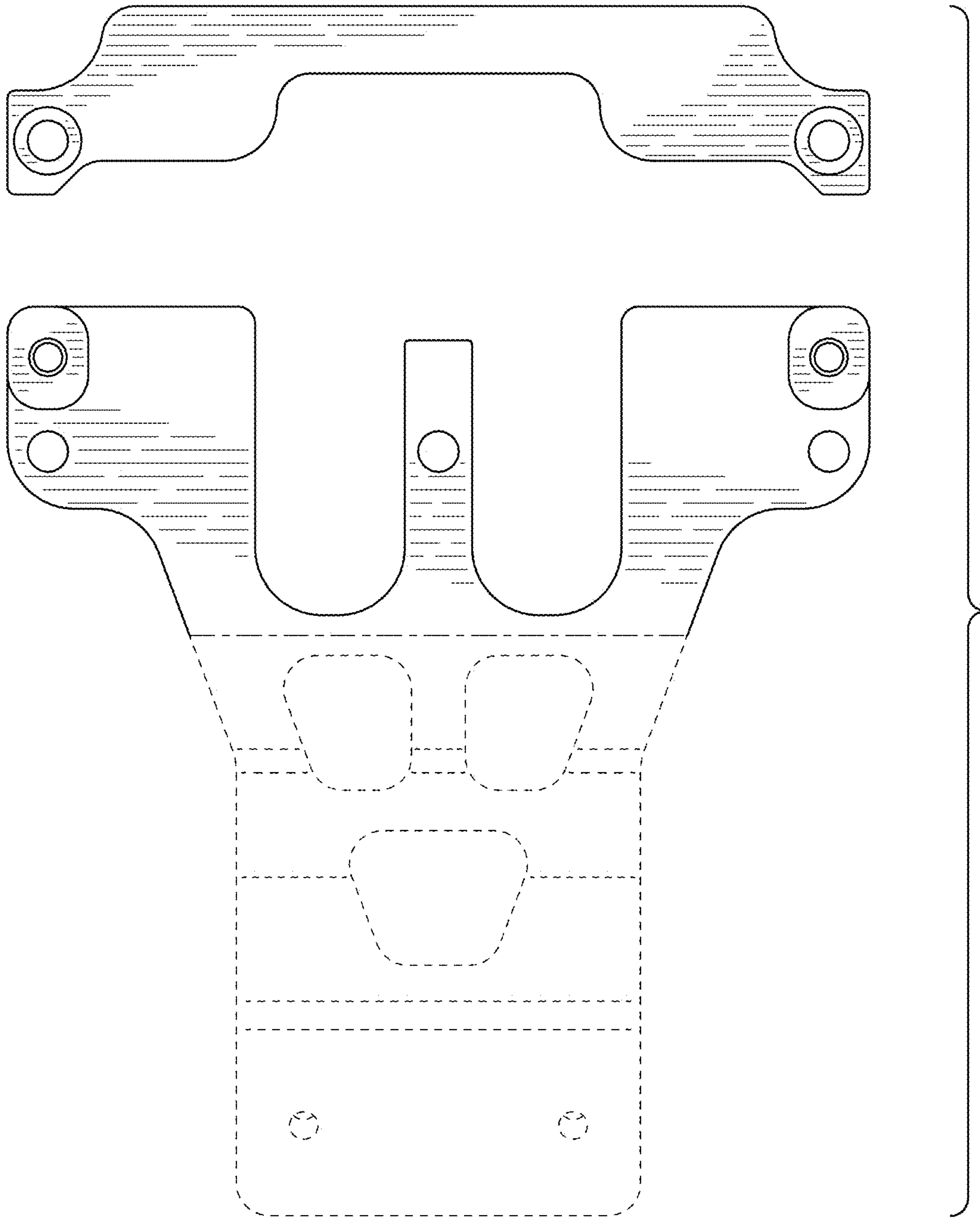
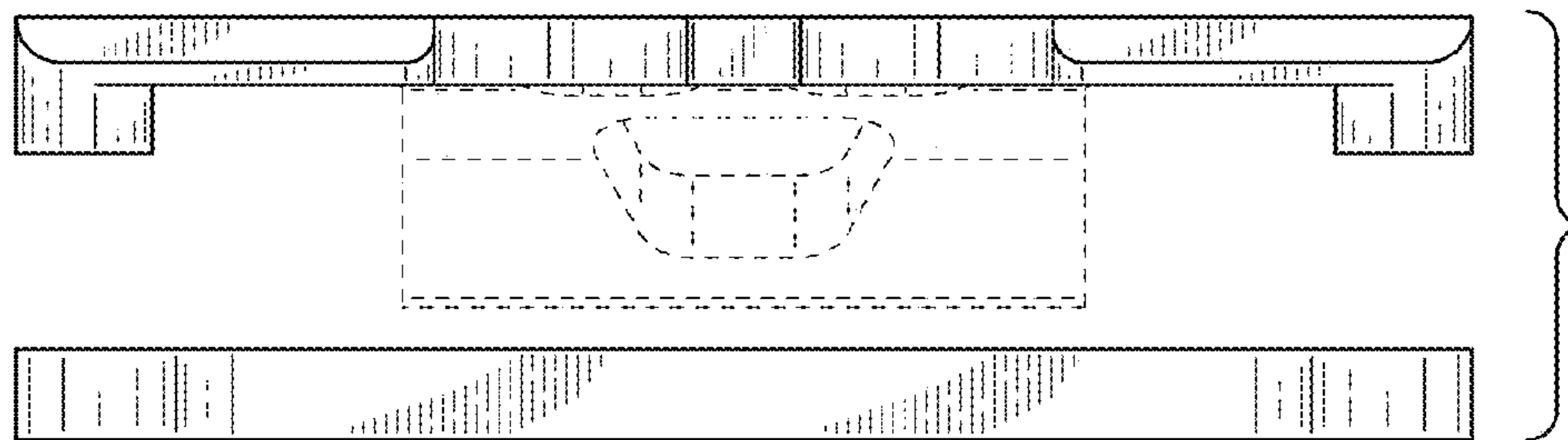
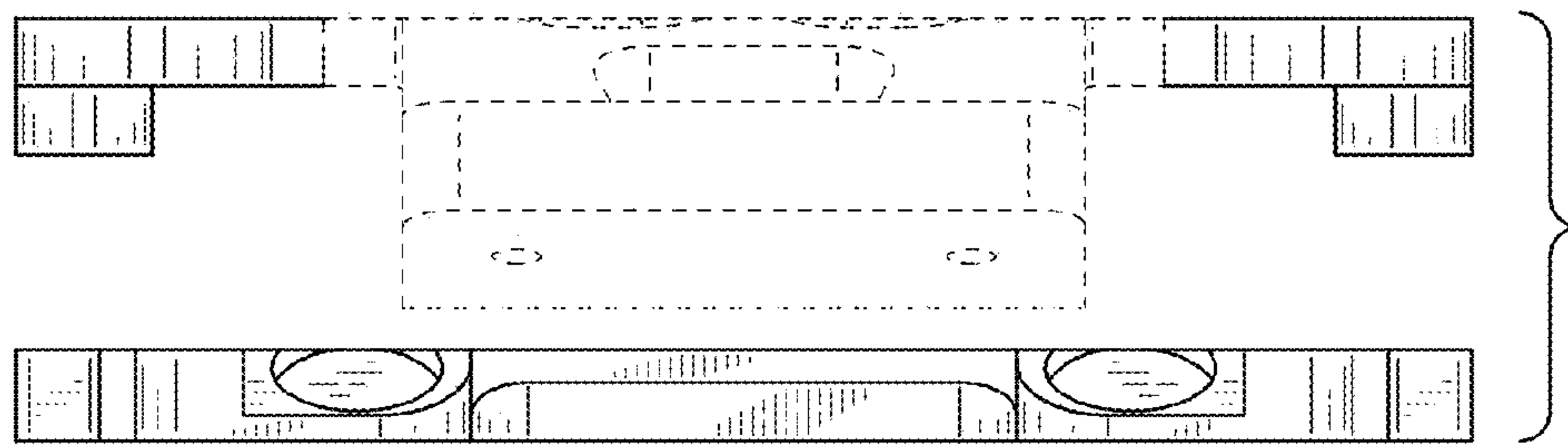
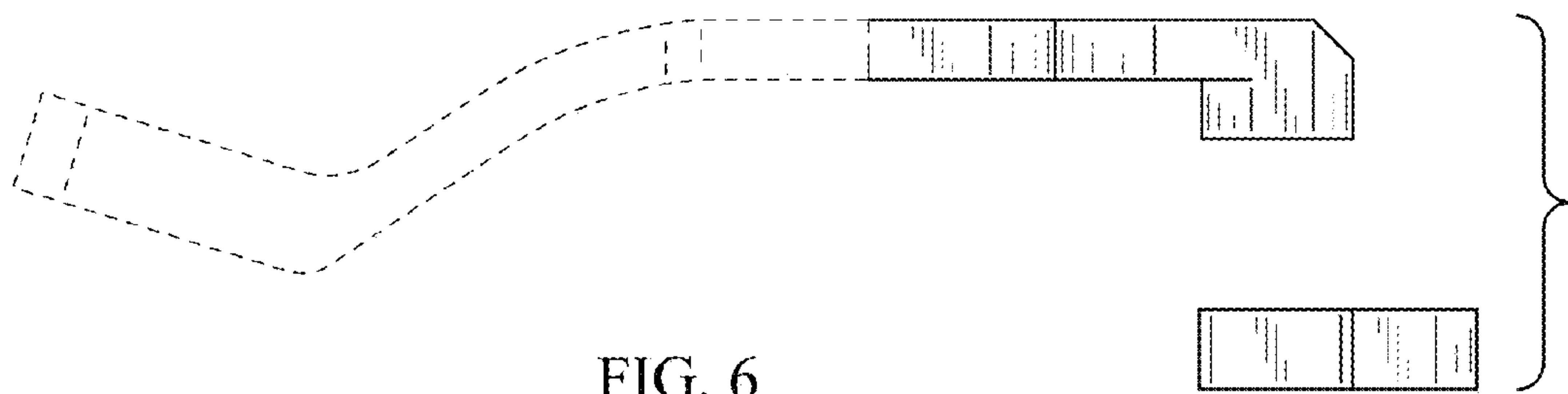
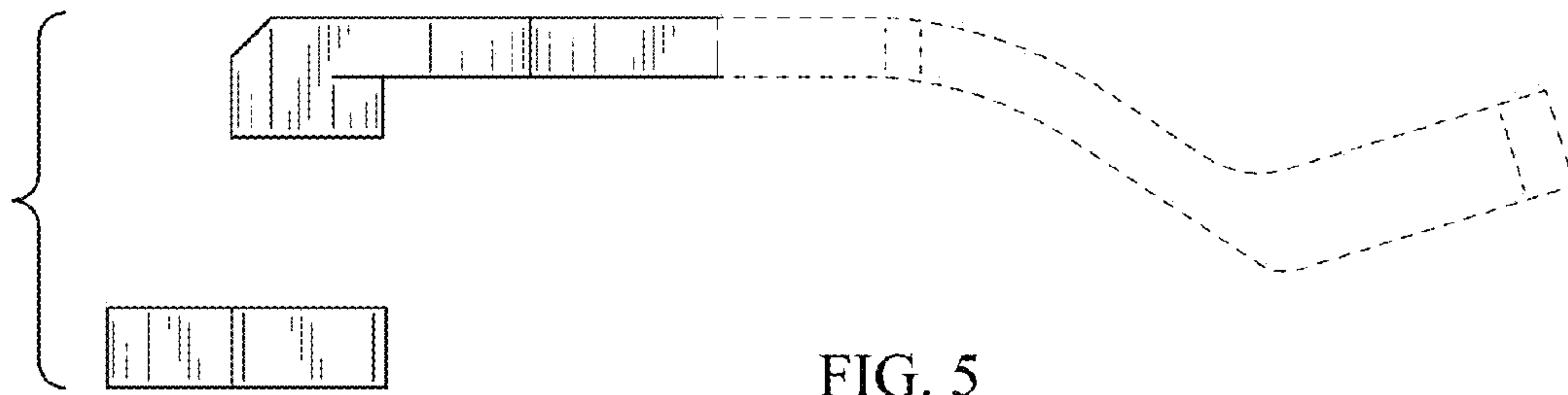


FIG. 4



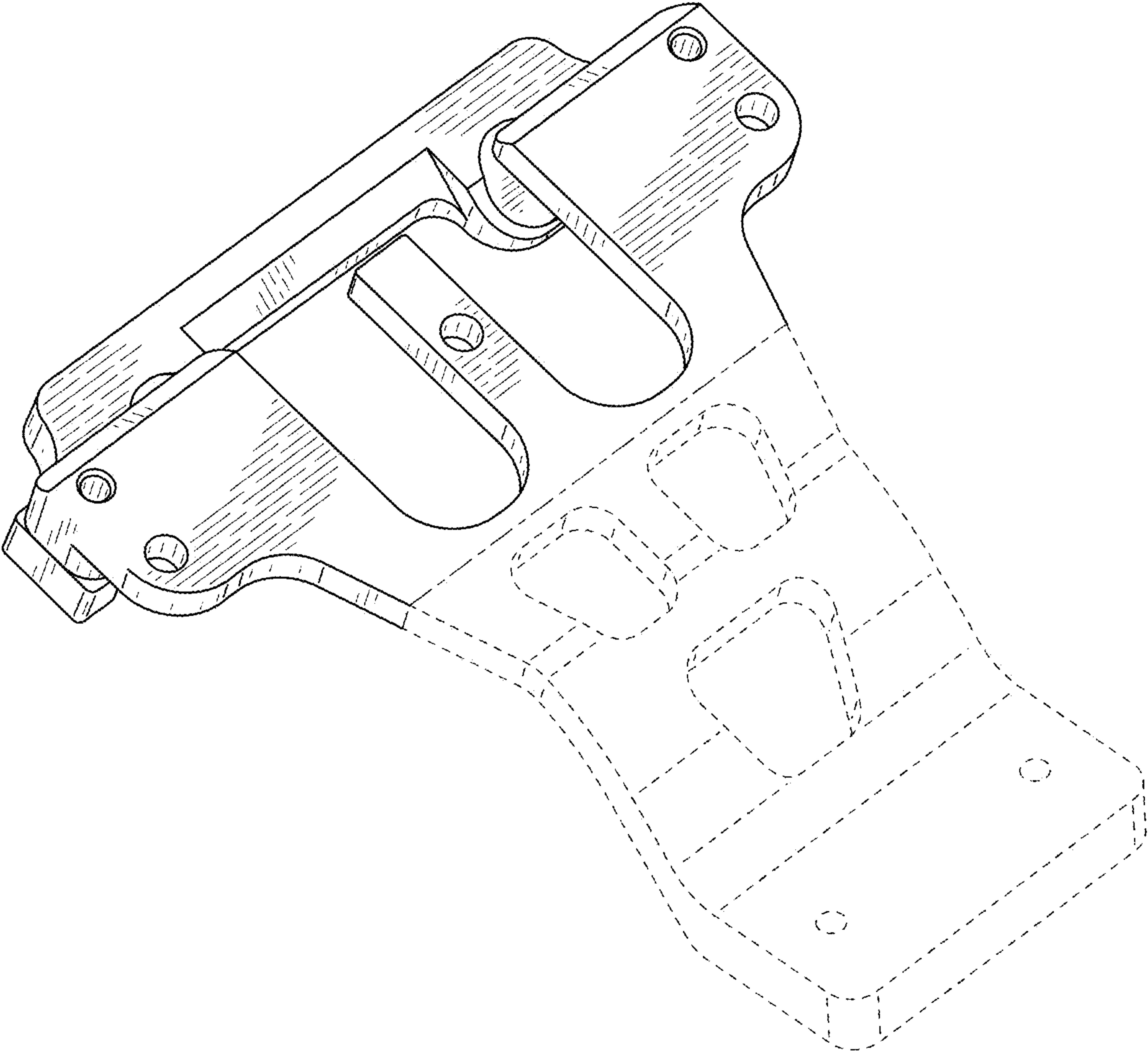


FIG. 9

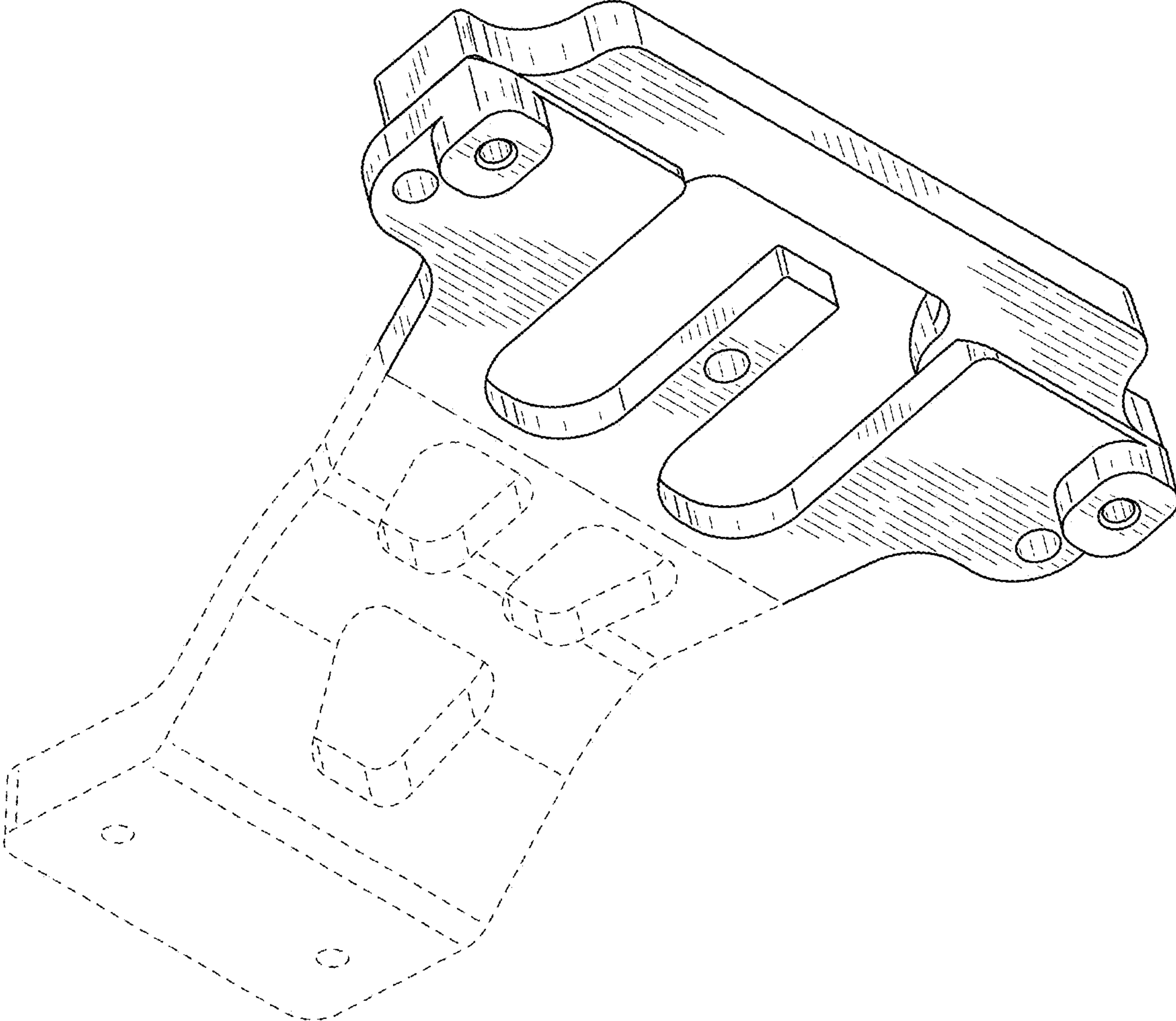


FIG. 10



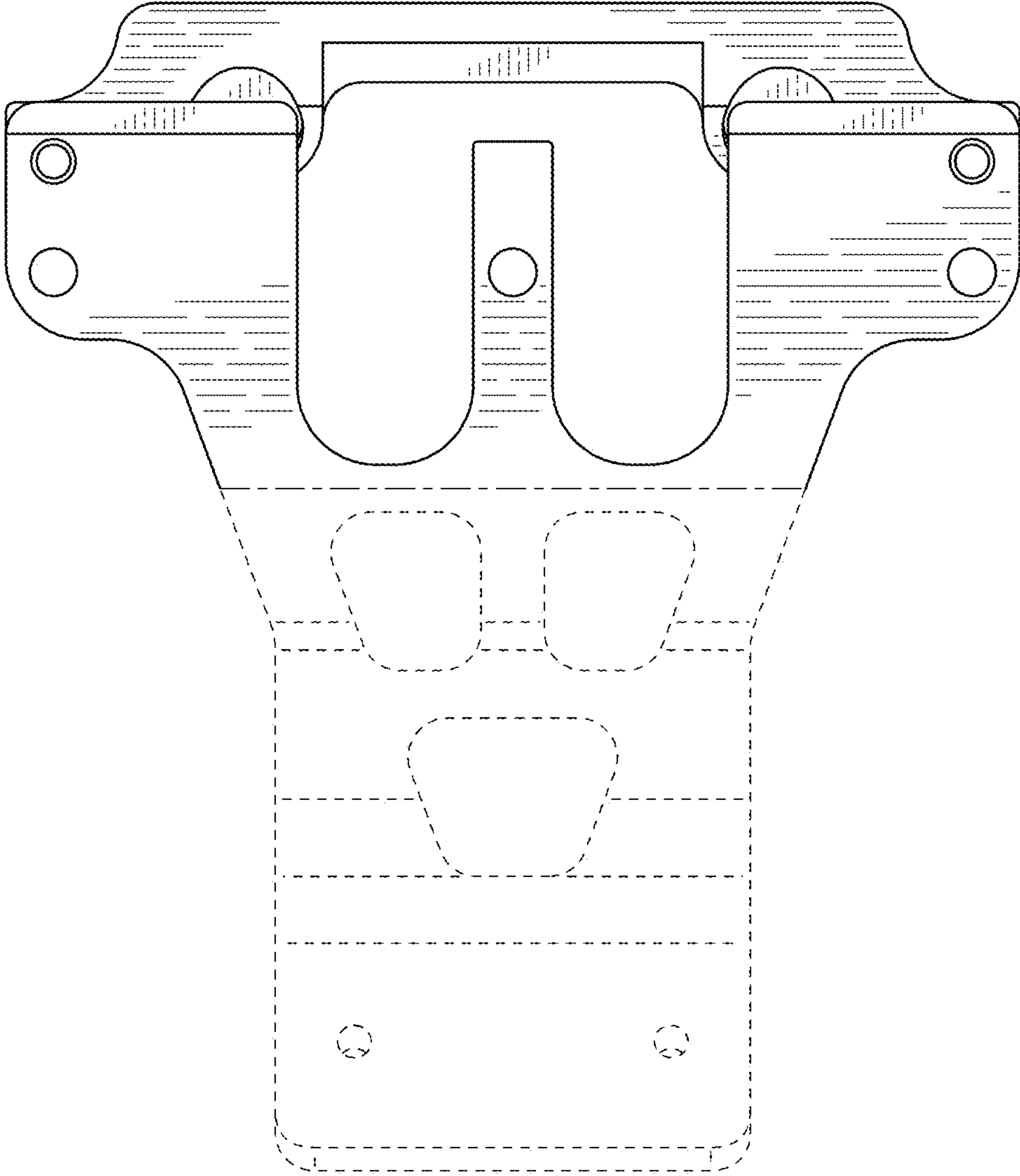


FIG. 11

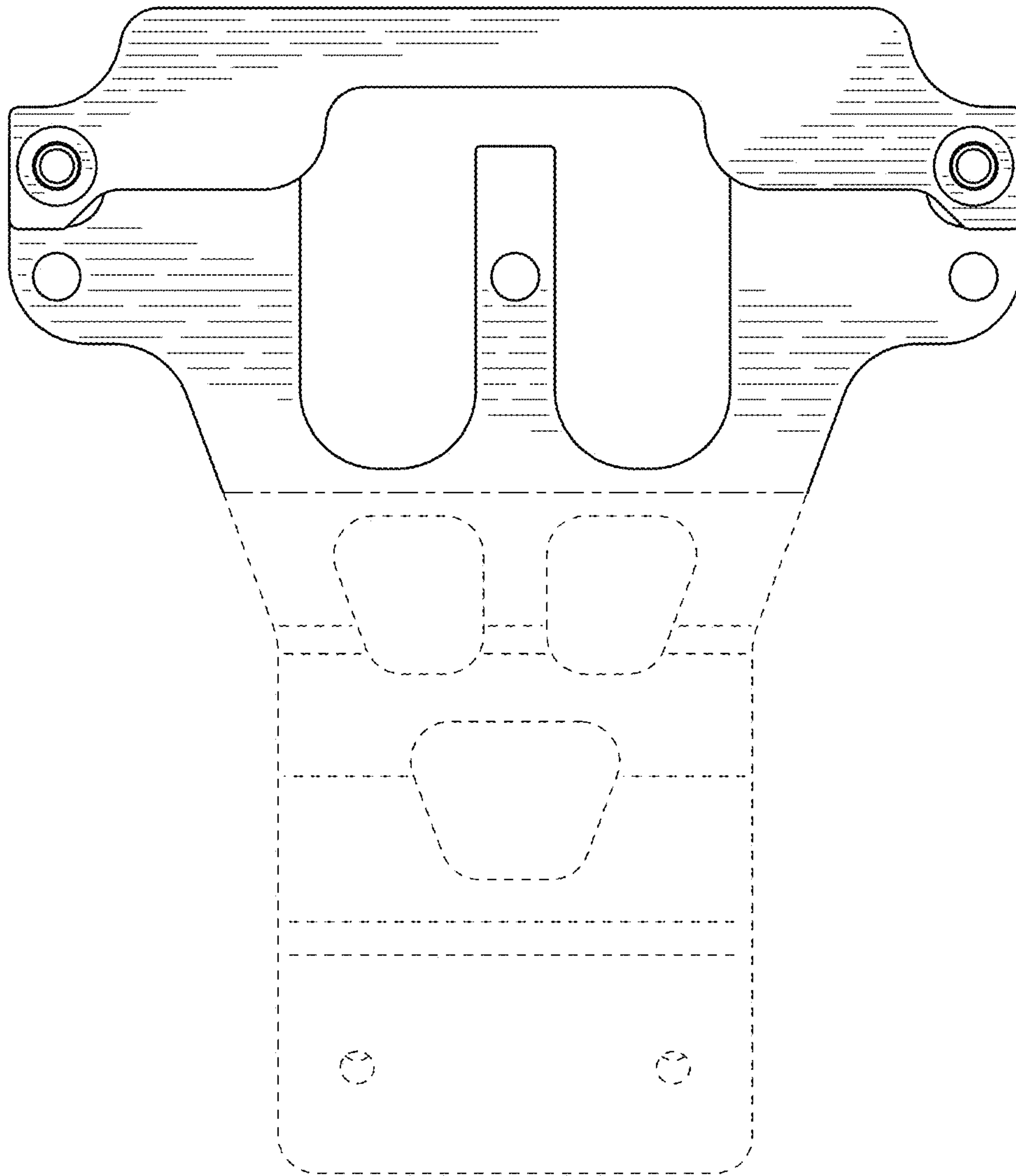


FIG. 12

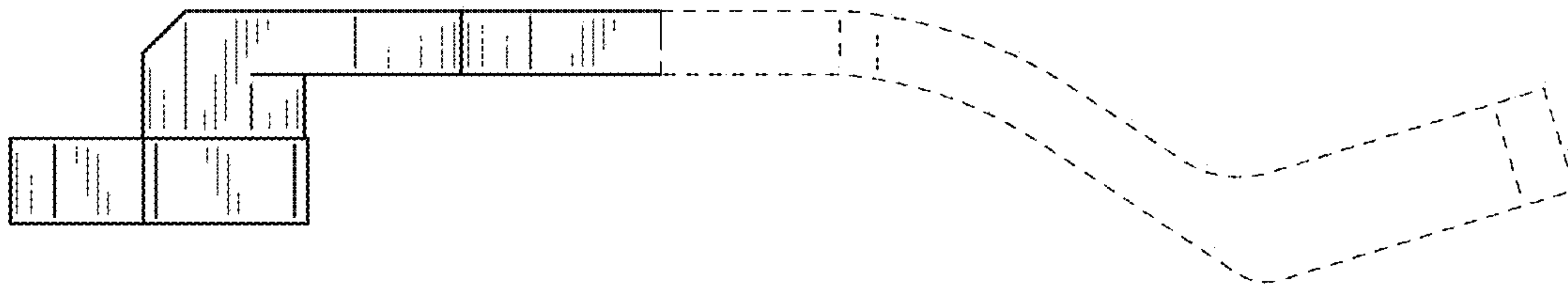


FIG. 13

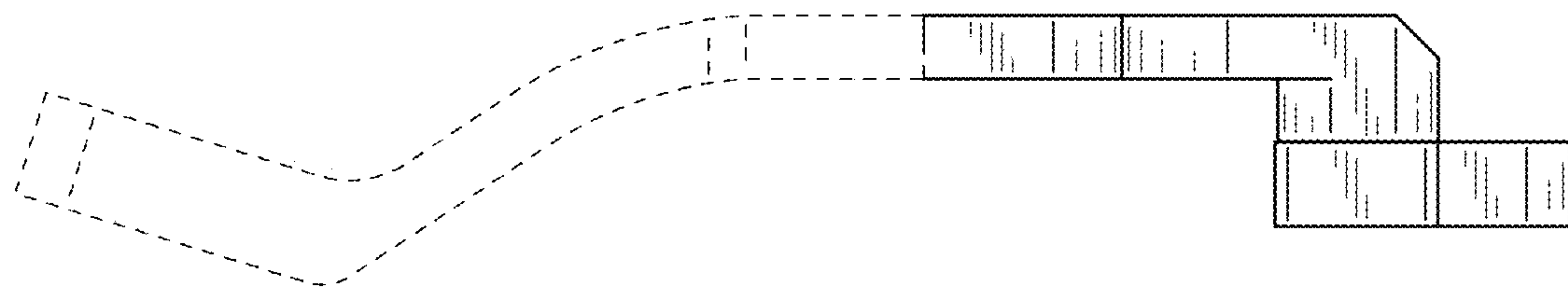


FIG. 14

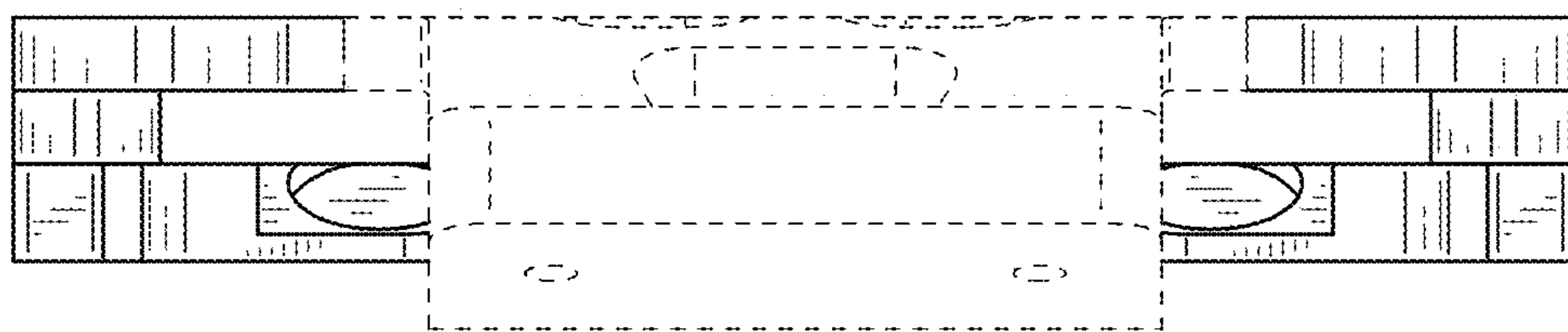


FIG. 15

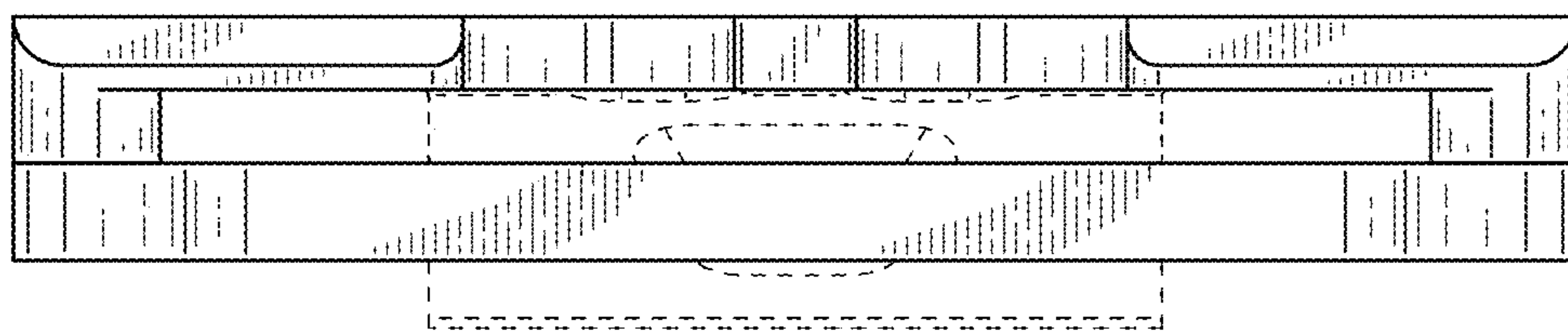


FIG. 16

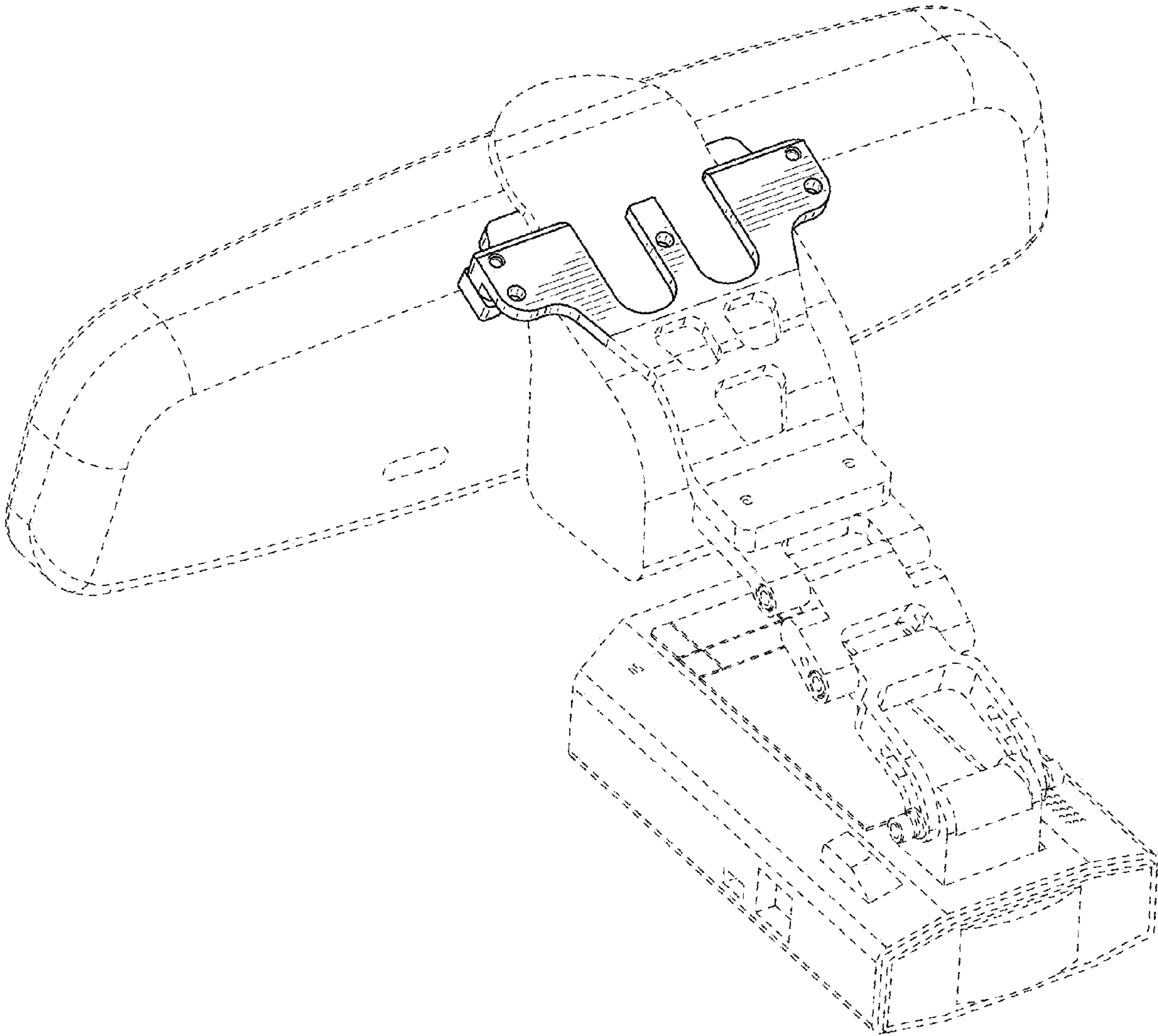


FIG. 17

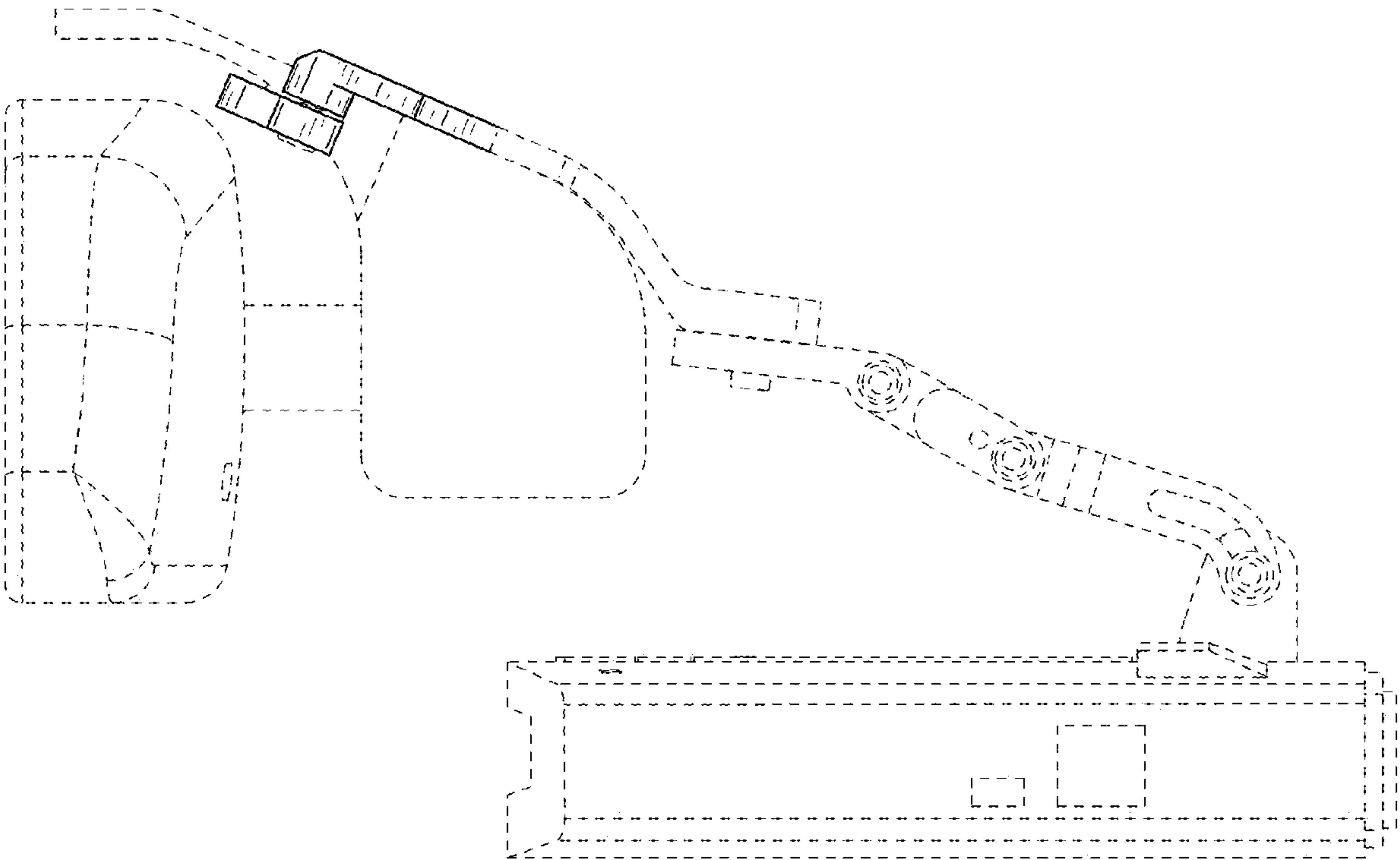


FIG. 18