



US00D975608S

(12) **United States Design Patent** (10) **Patent No.:** **US D975,608 S**  
**Pena et al.** (45) **Date of Patent:** **\*\* Jan. 17, 2023**

- (54) **REAR BUMPER FOR A VEHICLE**
- (71) Applicant: **Bayerische Motoren Werke Aktiengesellschaft, Munich (DE)**
- (72) Inventors: **Jose Alberto Casas Pena, Munich (DE); Pavle Trpinac, Munich (DE)**
- (73) Assignee: **Bayerische Motoren Werke Aktiengesellschaft, Munich (DE)**
- (\*\*) Term: **15 Years**
- (21) Appl. No.: **29/786,456**
- (22) Filed: **Jun. 1, 2021**
- (30) **Foreign Application Priority Data**  
Dec. 4, 2020 (DE) ..... 402020101154.1
- (51) **LOC (14) Cl.** ..... **12-16**
- (52) **U.S. Cl.**  
USPC ..... **D12/169**
- (58) **Field of Classification Search**  
USPC ..... D12/169, 196, 86, 90-92, 163, 190, 98, D12/164; 293/102, 113, 115, 117, 120, 293/193.11; 296/180.1, 180.2  
CPC ..... B60R 19/02; B60R 19/04; B62D 25/08  
See application file for complete search history.

- (56) **References Cited**  
**U.S. PATENT DOCUMENTS**  
D825,415 S 8/2018 De Bono  
D846,458 S \* 4/2019 Mack ..... D12/169  
D853,905 S \* 7/2019 Betancourt ..... D12/169  
D855,504 S \* 8/2019 Lee ..... D12/169  
D856,223 S \* 8/2019 Thogersen ..... D12/169  
D856,224 S \* 8/2019 Nissl ..... D12/169  
D856,869 S \* 8/2019 Schneider ..... D12/169

- D856,870 S \* 8/2019 Nakajima ..... D12/169
- D866,418 S \* 11/2019 Peplowski ..... D12/169
- D867,234 S \* 11/2019 Peplowski ..... D12/169
- D871,279 S \* 12/2019 Tonello ..... D12/169
- D882,467 S \* 4/2020 Matsumoto ..... D12/169
- D882,468 S \* 4/2020 Sperling ..... D12/169
- D890,651 S \* 7/2020 Peplowski ..... D12/169
- D911,228 S \* 2/2021 Guille ..... D12/169
- D911,230 S \* 2/2021 Wietrzychowski ..... D12/169
- D926,089 S \* 7/2021 Zurian ..... D12/169
- D927,368 S \* 8/2021 Wietrzychowski ..... D12/169
- D927,373 S \* 8/2021 Lim ..... D12/169
- D931,161 S \* 9/2021 Forrest ..... D12/169
- D931,162 S \* 9/2021 Forrest ..... D12/169
- D931,773 S \* 9/2021 Schell ..... D12/169
- D938,867 S \* 12/2021 Becker ..... D12/169

\* cited by examiner

*Primary Examiner* — Melody N Brown  
(74) *Attorney, Agent, or Firm* — Crowell & Moring LLP

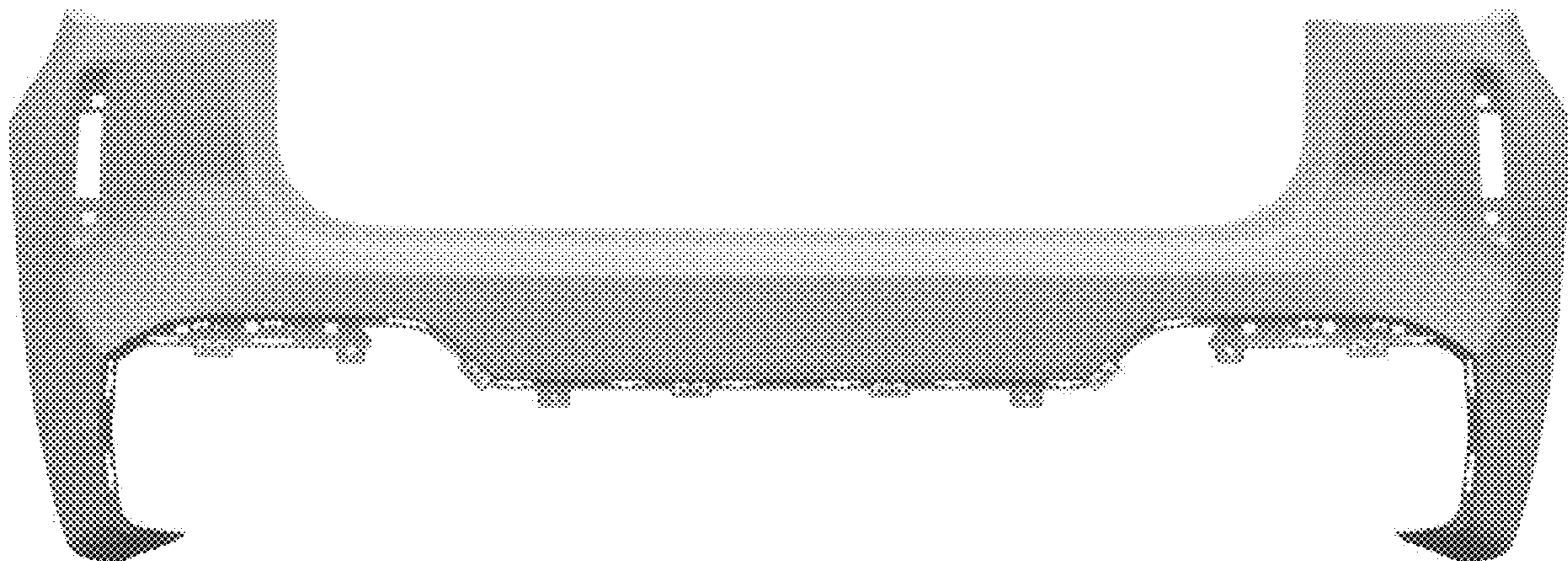
(57) **CLAIM**

The ornamental design for a rear bumper for a vehicle, as shown and described.

**DESCRIPTION**

This application contains subject matter related to the following co-pending U.S. design patent application: Application Ser. No. 29/786,455, filed herewith and entitled "Rear Bumper for a Vehicle".  
FIG. 1 is a front view of a rear bumper for a vehicle according to the design;  
FIG. 2 is a left, bottom perspective view thereof;  
FIG. 3 is a right, front perspective view thereof;  
FIG. 4 is a left side view thereof;  
FIG. 5 is a right side view thereof;  
FIG. 6 is a top view thereof;  
FIG. 7 is a bottom view thereof; and,  
FIG. 8 is a rear view thereof.

**1 Claim, 8 Drawing Sheets**



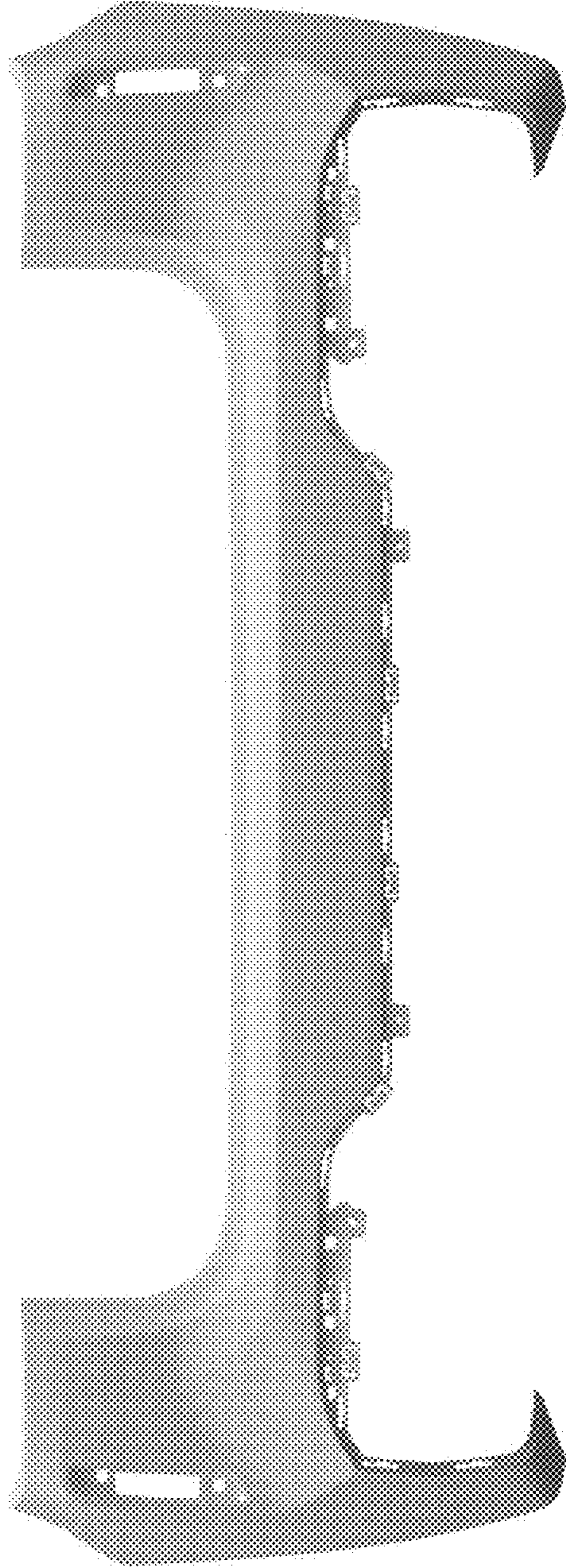


Fig. 1

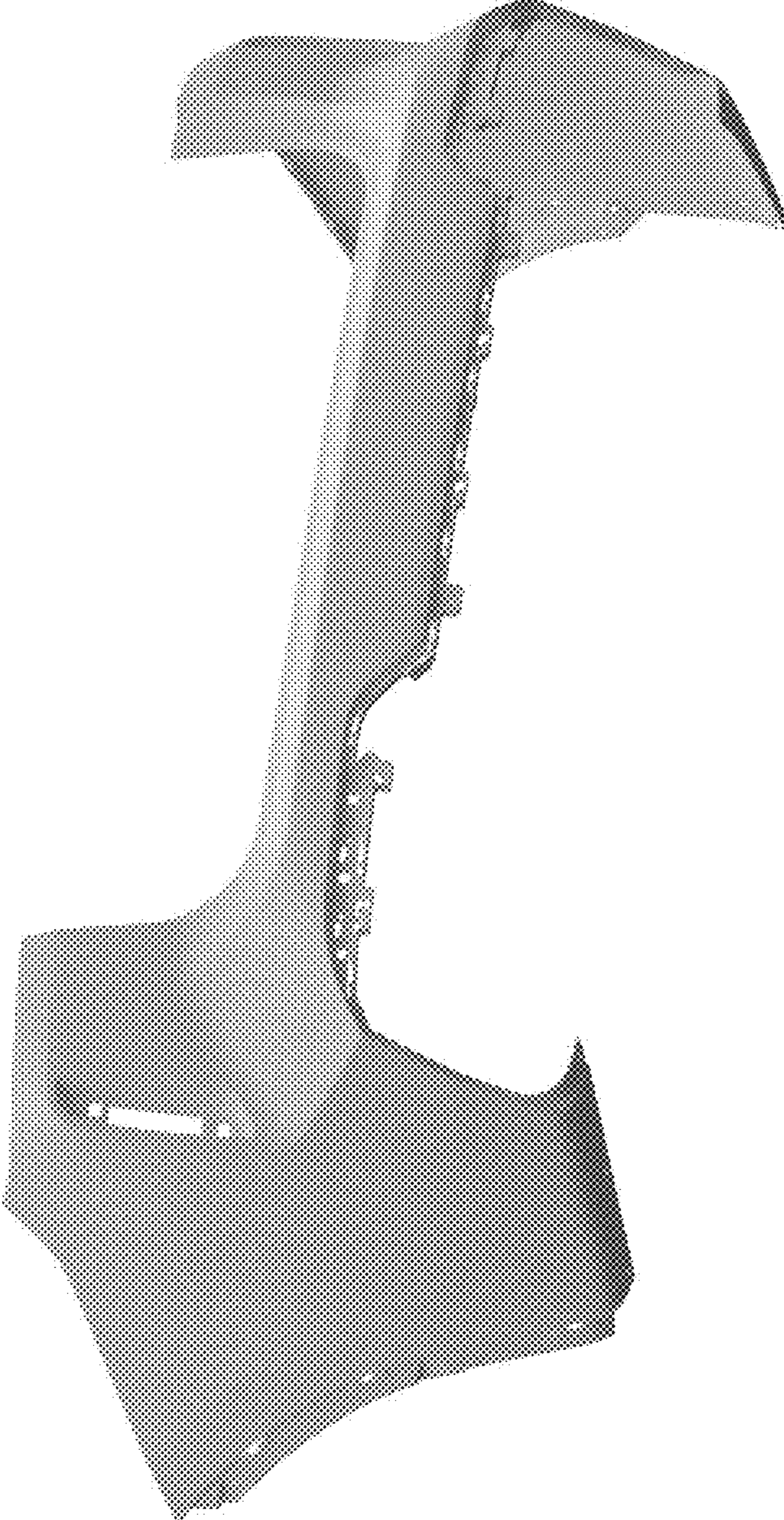


Fig. 2

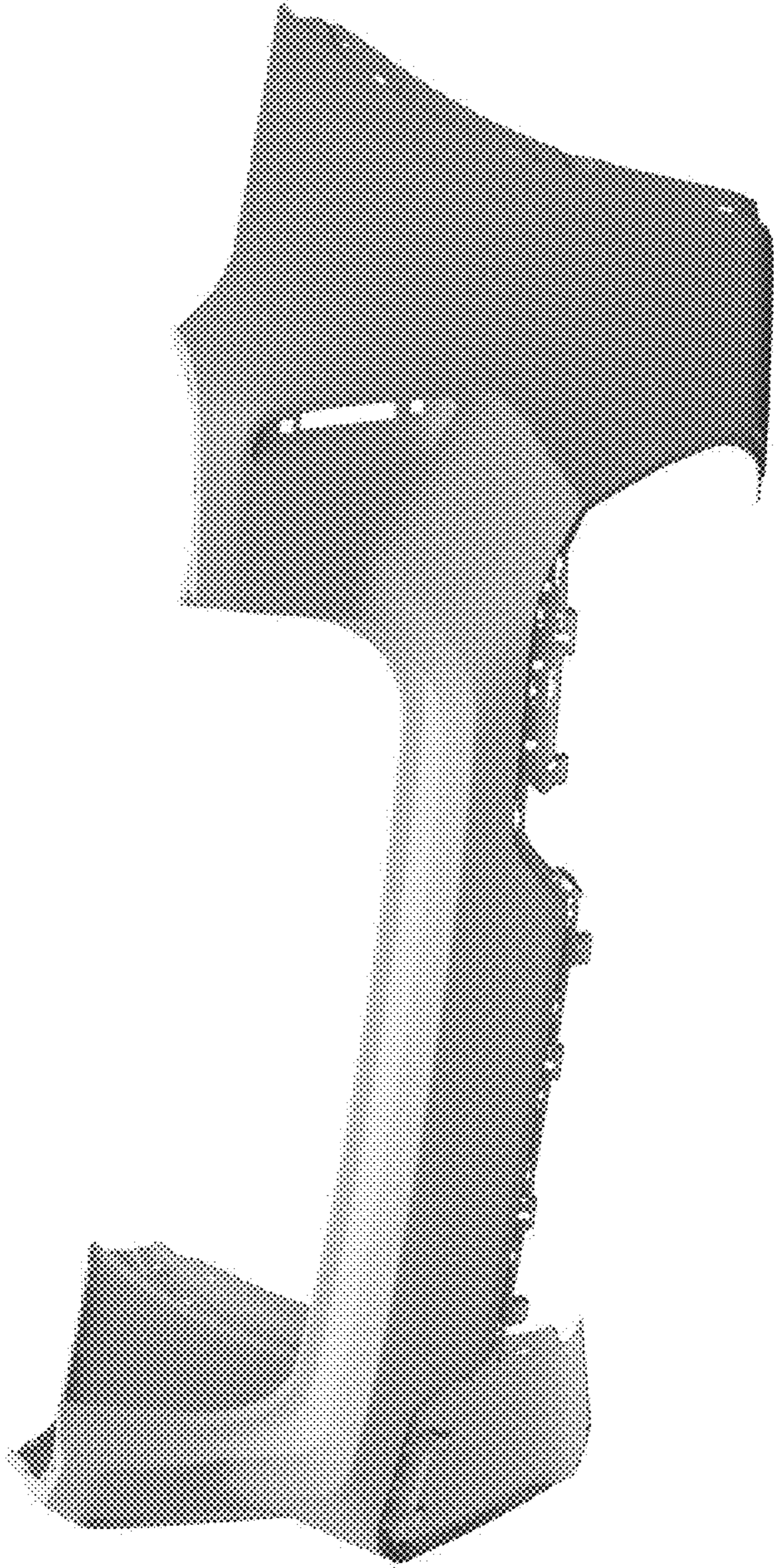


Fig. 3

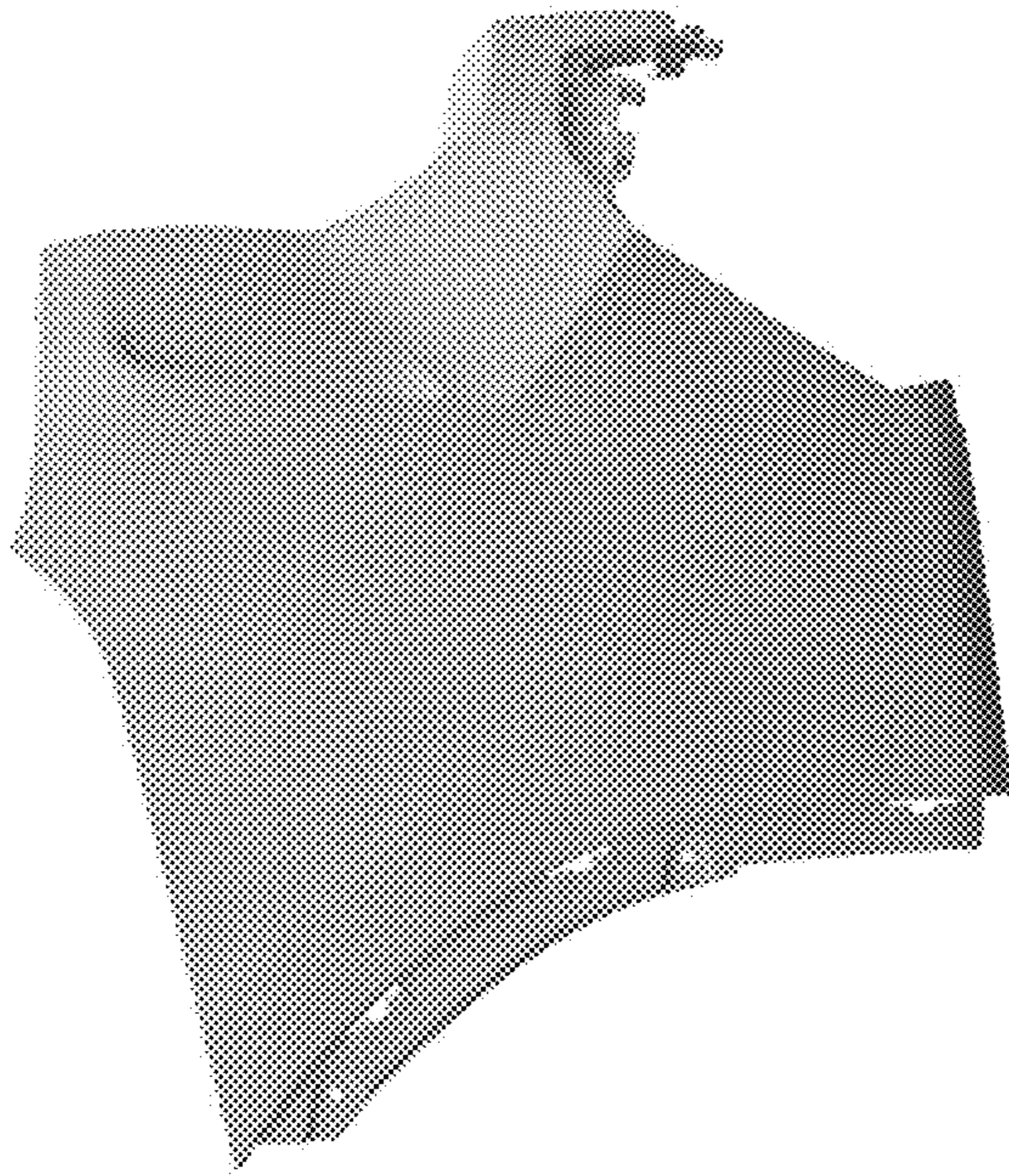


Fig. 4

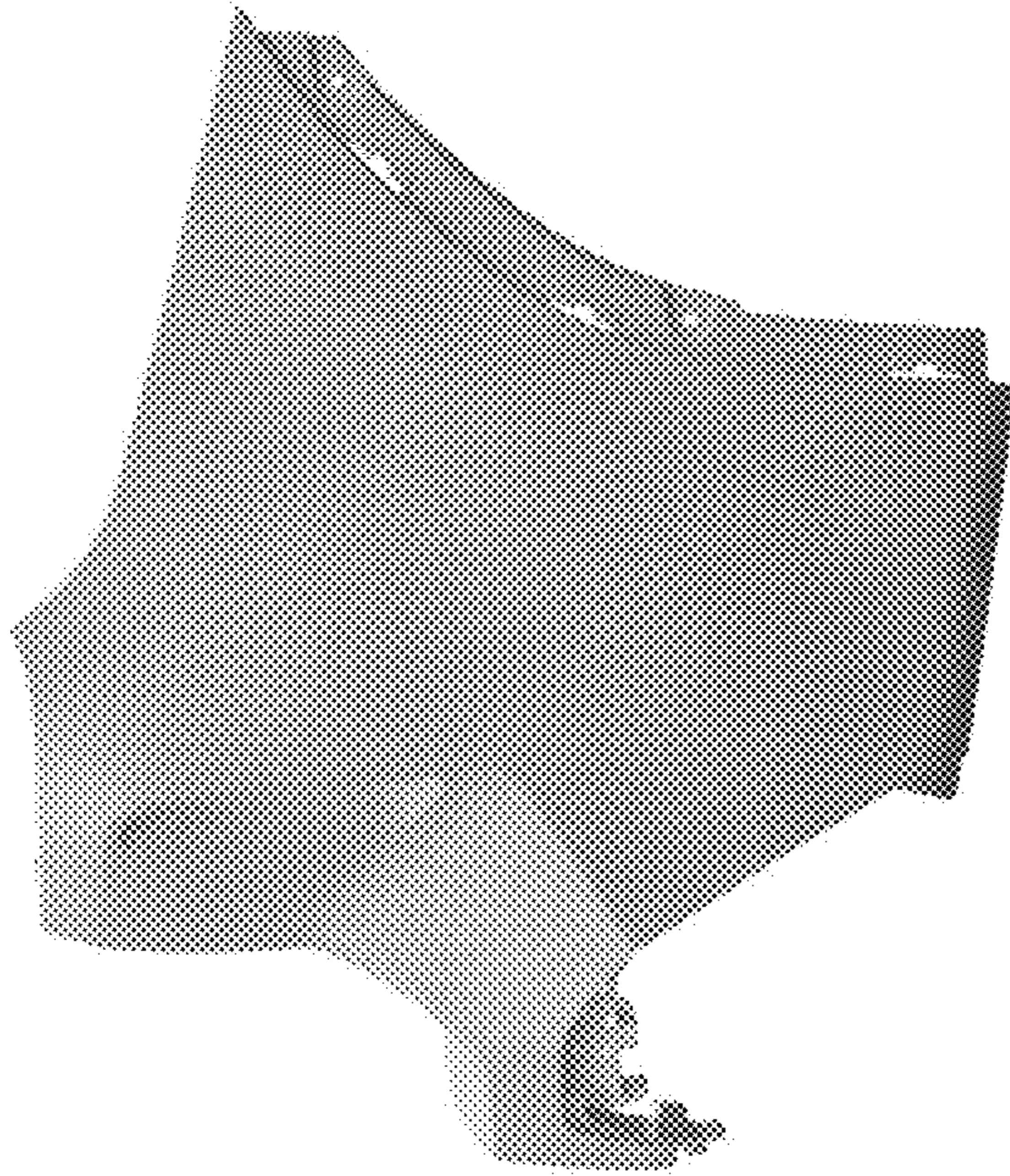


Fig. 5

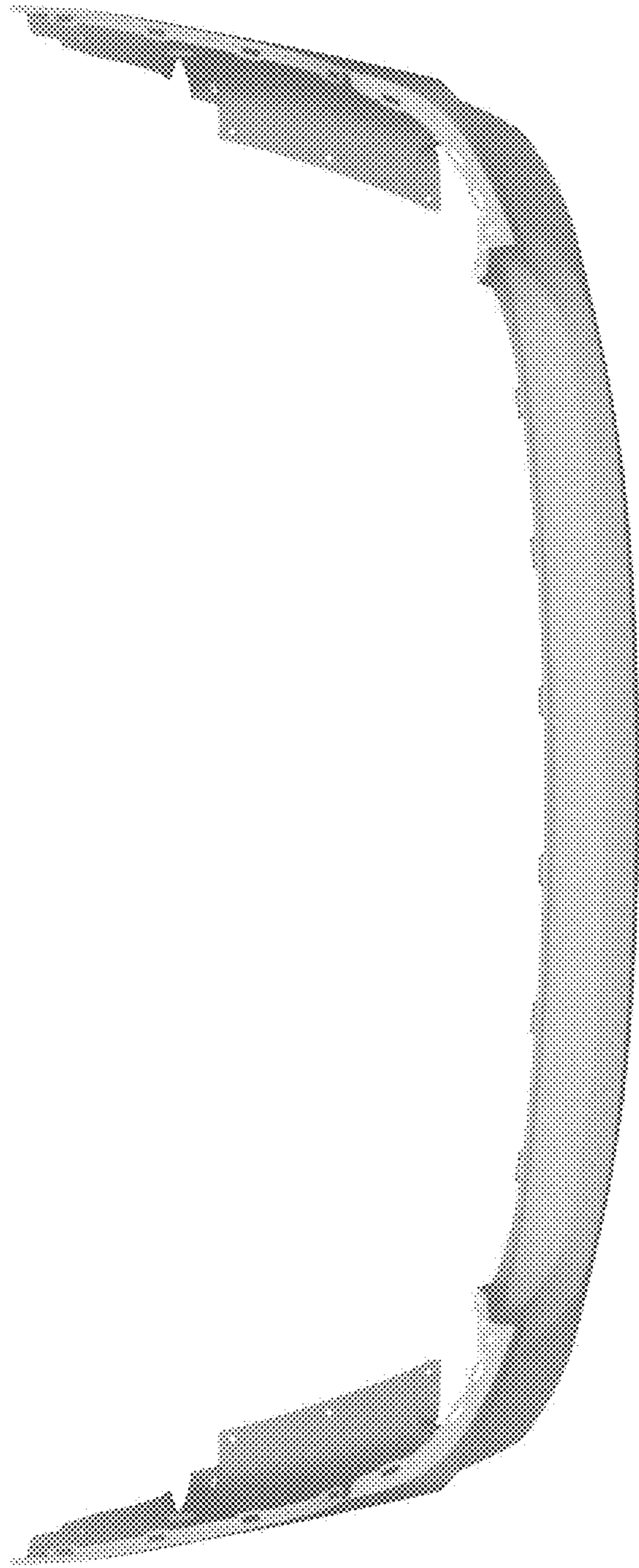


Fig. 6

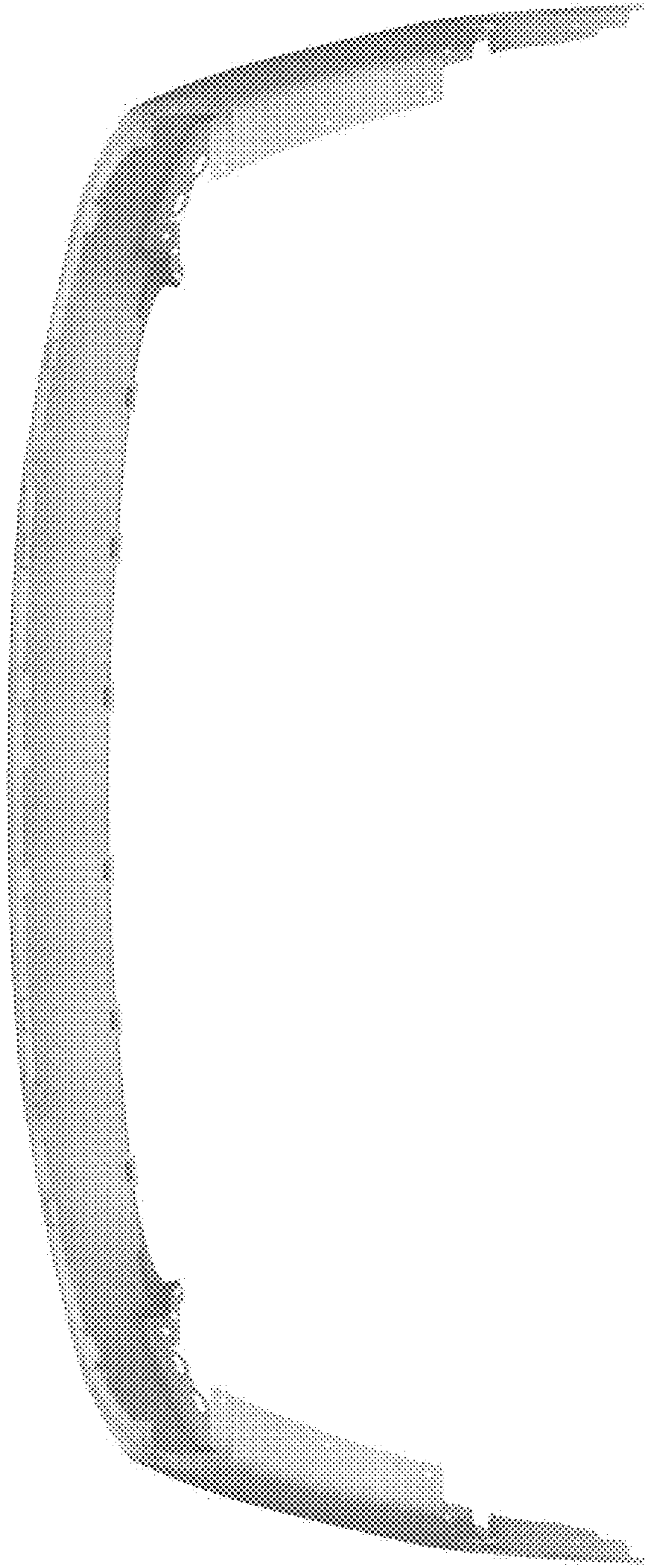


Fig. 7



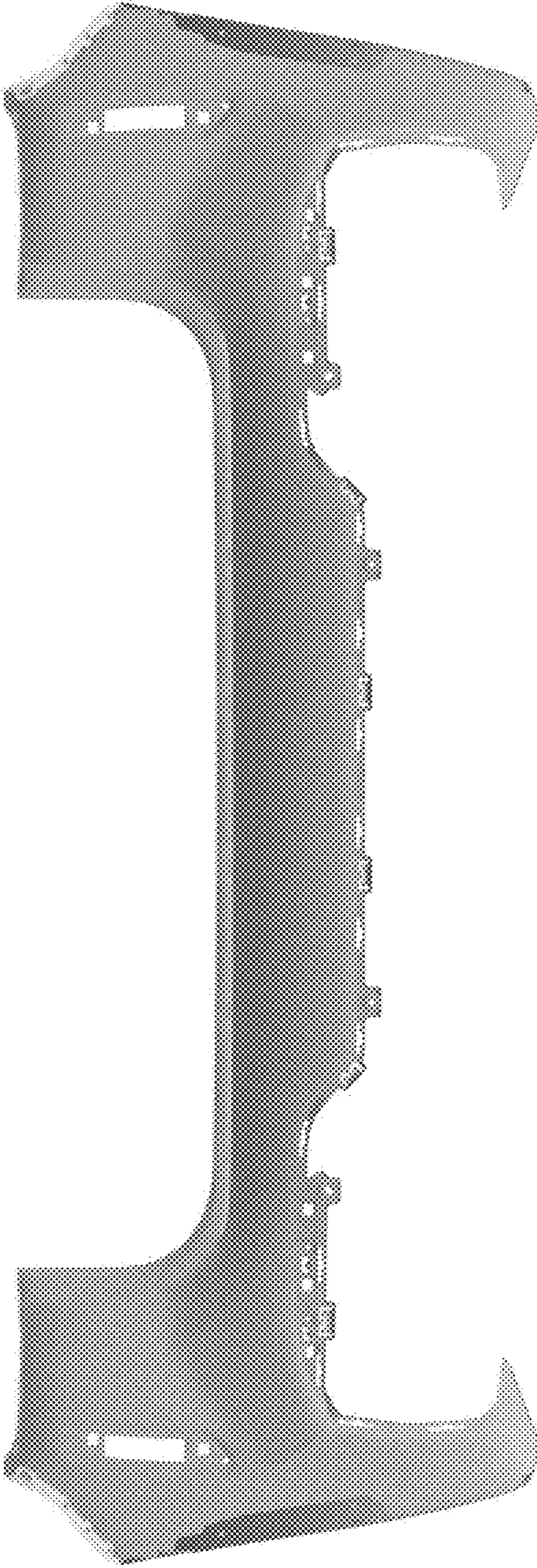


Fig. 8