



US00D975602S

(12) **United States Design Patent**  
**Xu**

(10) **Patent No.:** **US D975,602 S**  
(45) **Date of Patent:** **\*\* Jan. 17, 2023**

(54) **PEDAL ADAPTER**

(71) Applicant: **Yong Xu**, Suizhou (CN)

(72) Inventor: **Yong Xu**, Suizhou (CN)

(\*\*) Term: **15 Years**

(21) Appl. No.: **29/815,115**

(22) Filed: **Nov. 11, 2021**

(51) **LOC (14) Cl.** ..... **12-11**

(52) **U.S. Cl.**  
USPC ..... **D12/125**

(58) **Field of Classification Search**  
USPC ..... D12/125, 174, 190  
CPC ..... B62M 3/00; B62M 3/086; A47G 27/0206;  
G05G 1/30; G05G 1/483; A43B 5/14;  
A43C 11/14  
See application file for complete search history.

(56) **References Cited**

**U.S. PATENT DOCUMENTS**

D393,298 S *	4/1998	Kuo	.....	D12/122
D420,623 S *	2/2000	Hussaini	.....	D12/174
D433,971 S *	11/2000	Shien	.....	D12/174
D517,460 S *	3/2006	Tatsumi	.....	D12/174
D524,195 S	7/2006	Neal		
D540,227 S *	4/2007	Doucet	.....	D12/174
D746,204 S *	12/2015	Hanson	.....	D12/195
D755,684 S *	5/2016	Lucchesi	.....	D12/125
D798,776 S *	10/2017	Gardner	.....	D12/125
D837,102 S	1/2019	Terblanche, Jr.		
D880,373 S	4/2020	Rupp		

D915,246 S	4/2021	Tsai		
D922,911 S	7/2021	Wilson		
D932,950 S	10/2021	Lou		
D945,936 S *	3/2022	Gu	.....	D12/125
11,345,436 B2 *	5/2022	van der Heide	.....	F16B 5/0621
2003/0029270 A1 *	2/2003	Milanowski	.....	B62M 3/08 74/594.4
2019/0367126 A1 *	12/2019	van der Heide	.....	B62M 3/083
2021/0061408 A1 *	3/2021	van der Heide	.....	F16B 5/0621

\* cited by examiner

*Primary Examiner* — Cary M Robinson

*Assistant Examiner* — Adam C Mager

(74) *Attorney, Agent, or Firm* — Che-Yang Chen; Law Office of Michael Chen

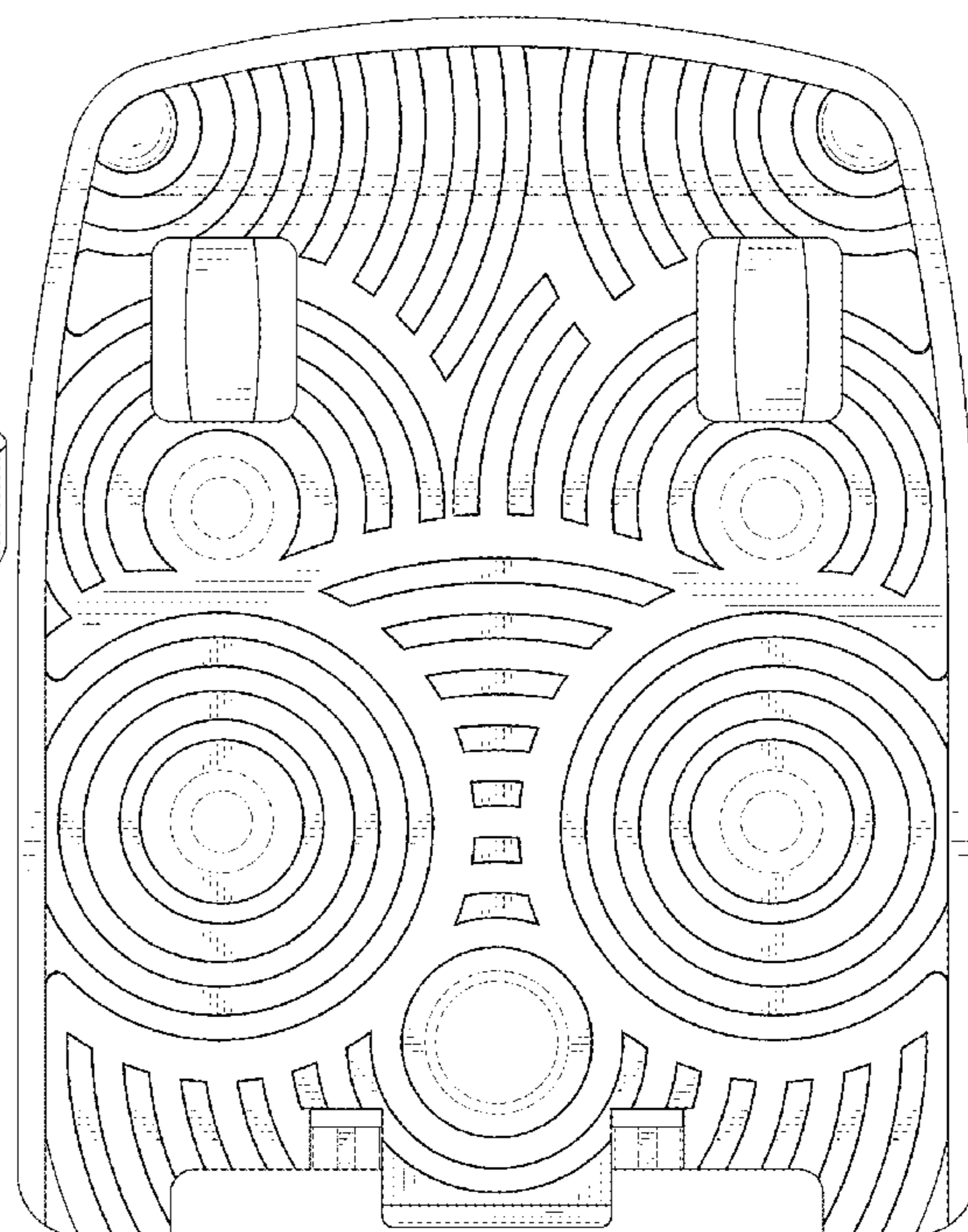
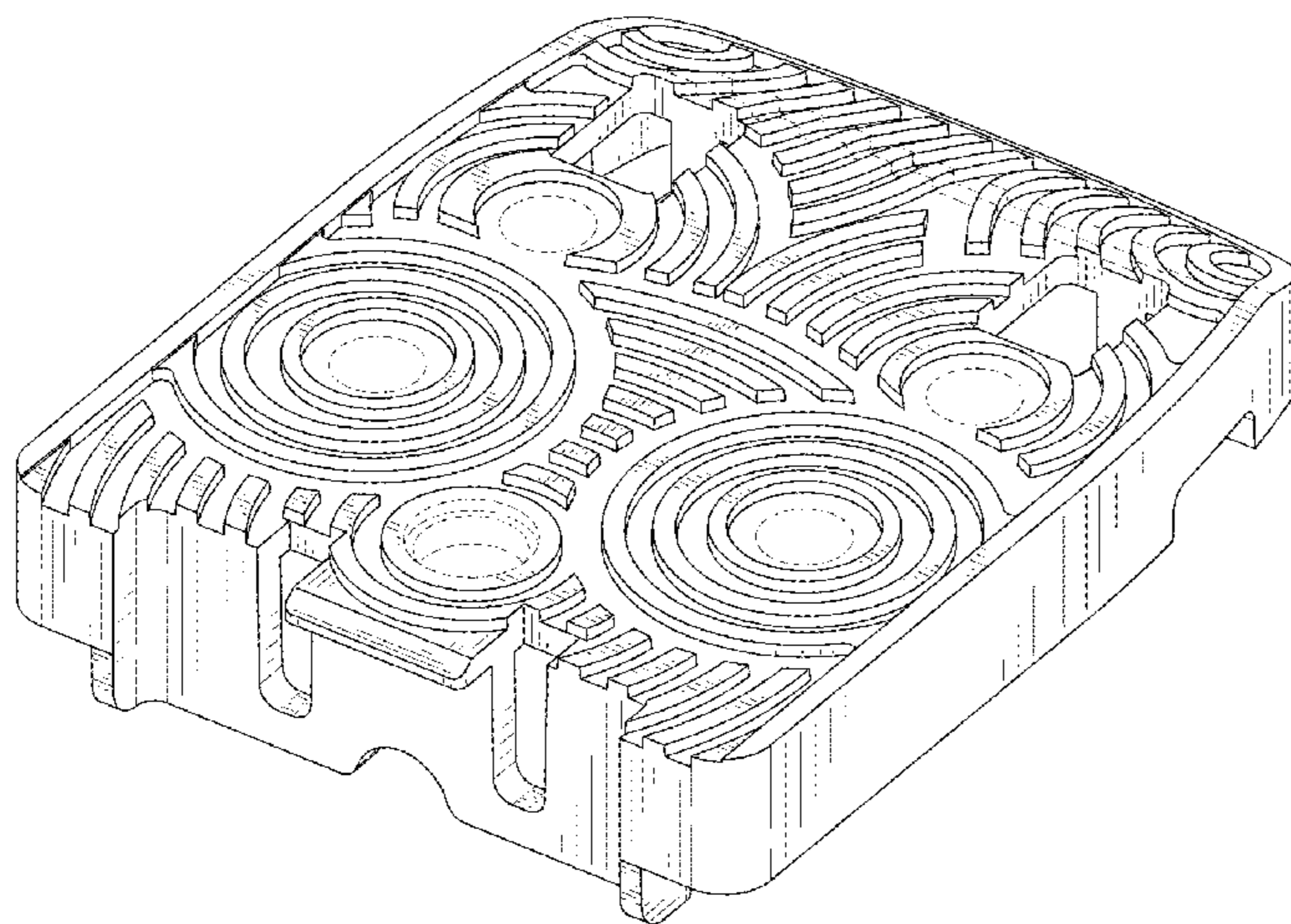
(57) **CLAIM**

The ornamental design for a pedal adapter, as shown and described.

**DESCRIPTION**

FIG. 1 is a perspective view of the pedal adapter showing my new design;  
FIG. 2 is a perspective view thereof from another angle;  
FIG. 3 is a perspective view thereof from another angle;  
FIG. 4 is a front elevational view thereof;  
FIG. 5 is a rear elevational view thereof;  
FIG. 6 is a left side elevational view thereof;  
FIG. 7 is a right side elevational view thereof;  
FIG. 8 is a top plan view thereof; and,  
FIG. 9 is a bottom plan view thereof.

**1 Claim, 9 Drawing Sheets**



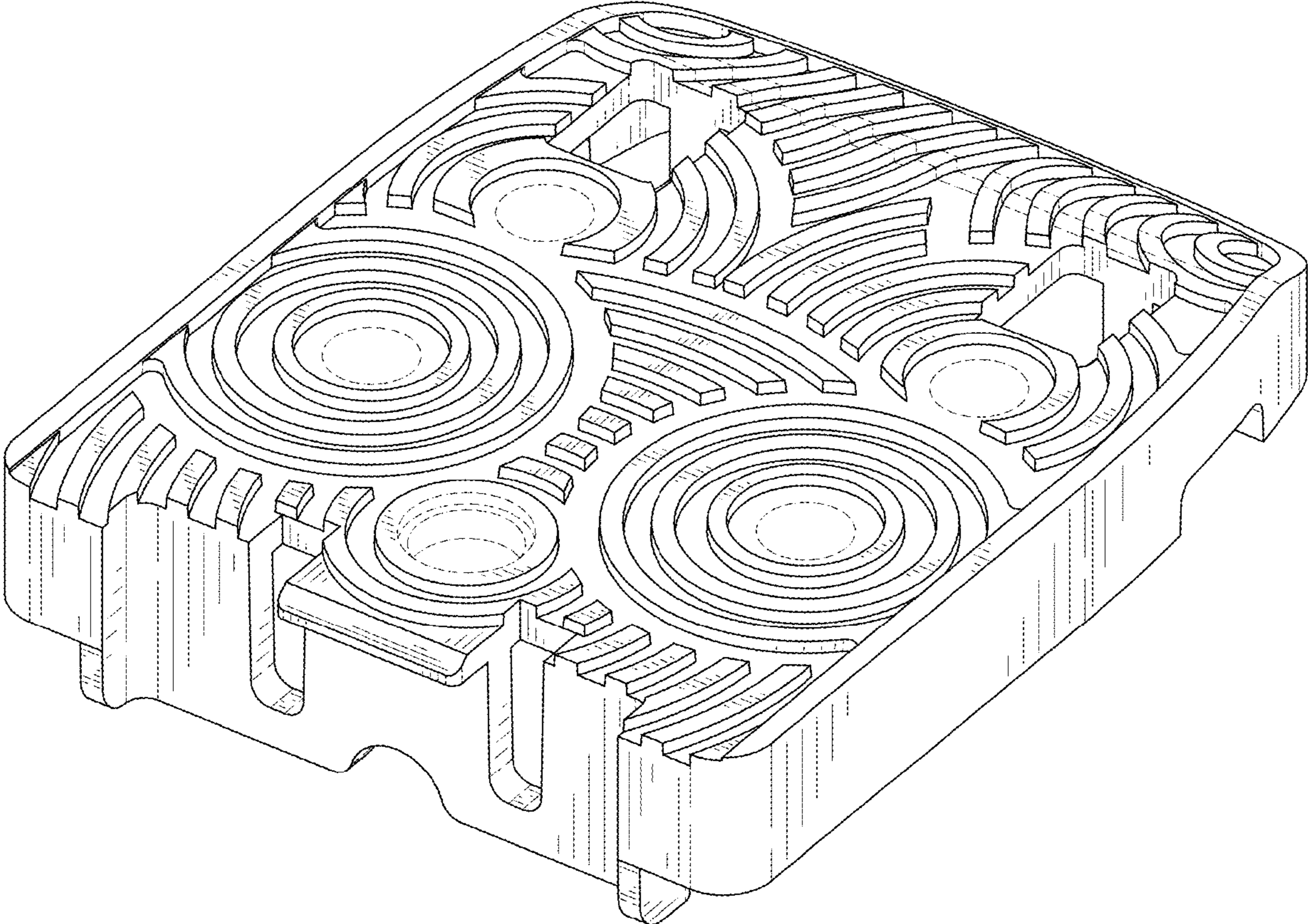


FIG. 1

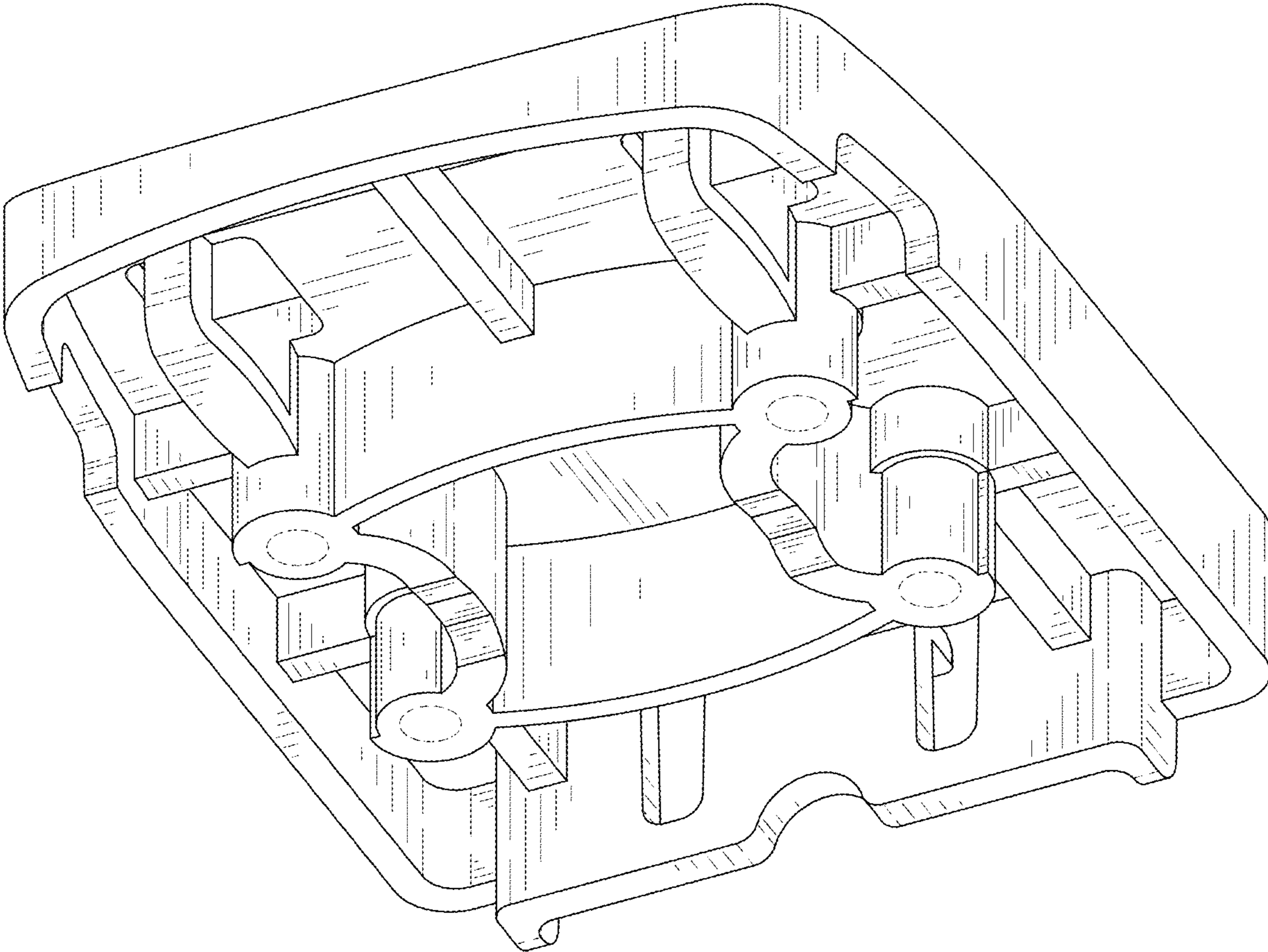


FIG. 2

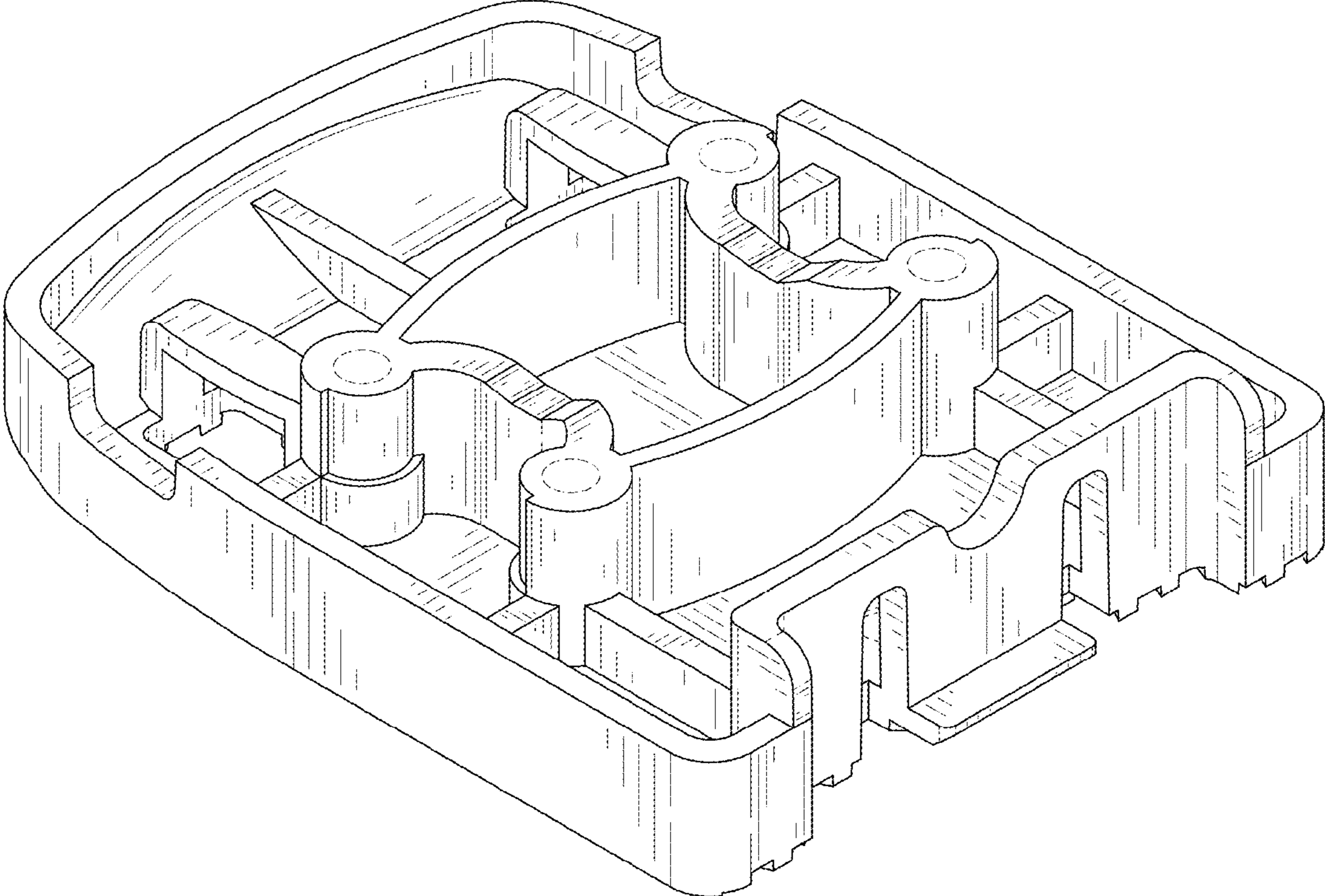


FIG. 3

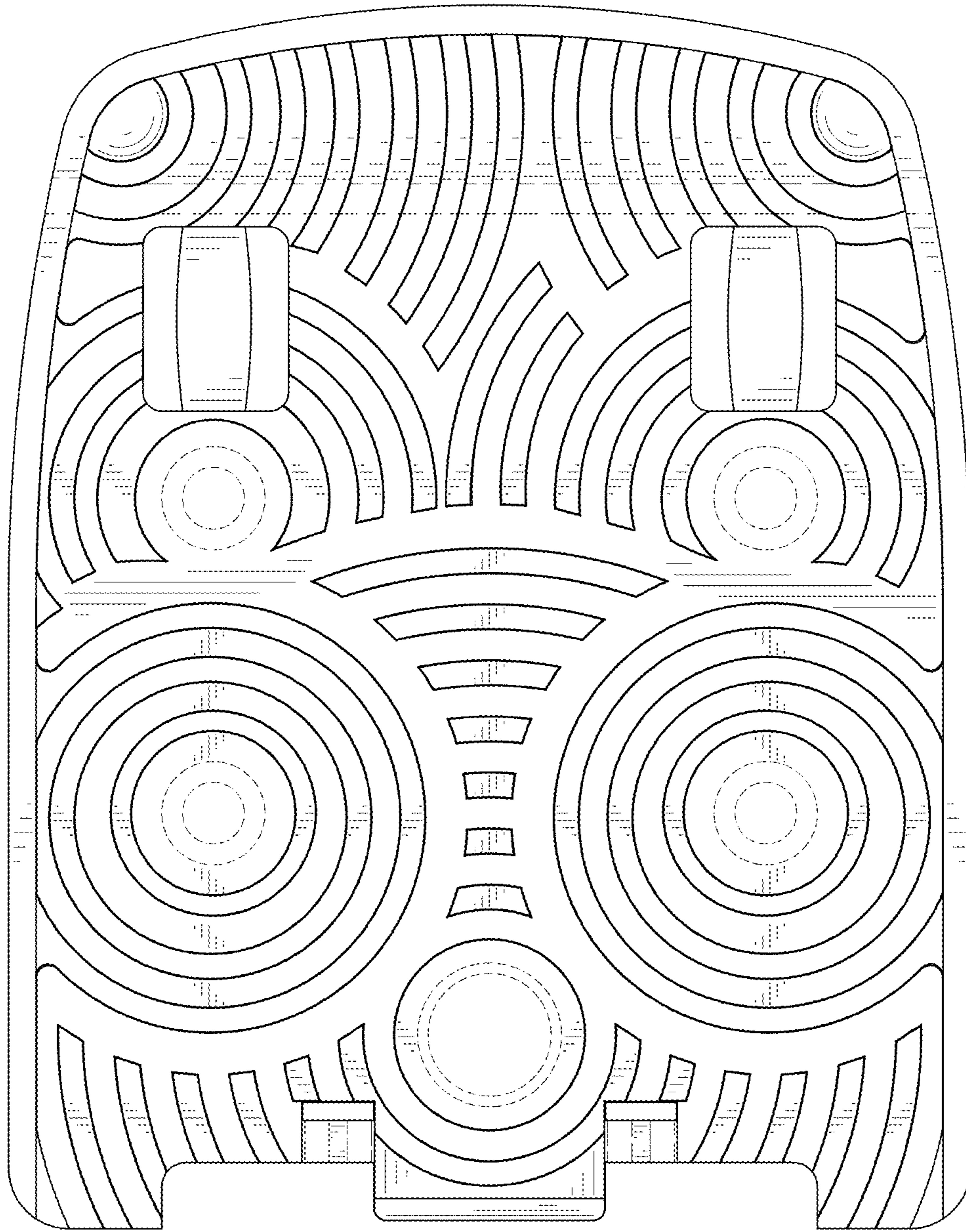


FIG. 4

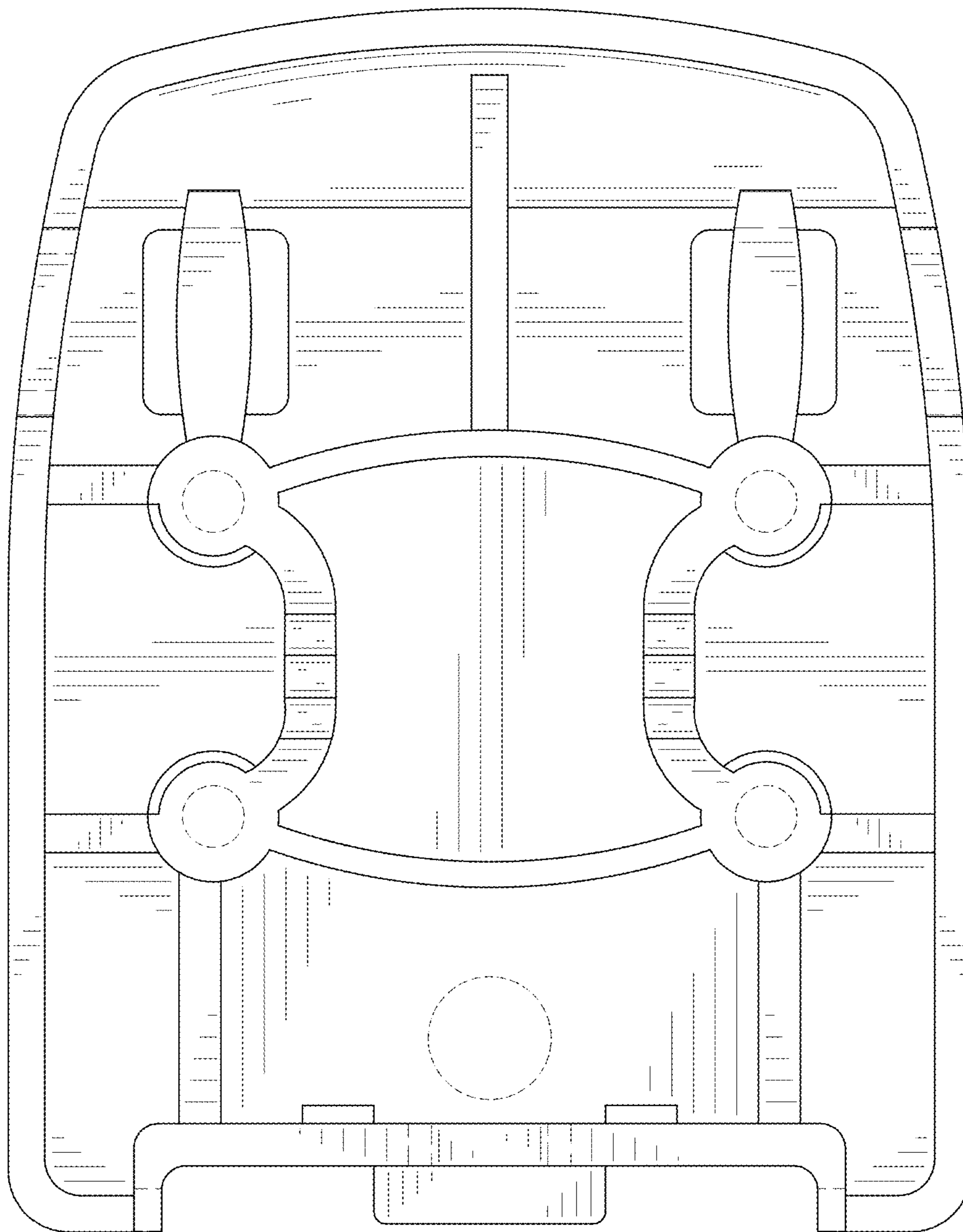


FIG. 5

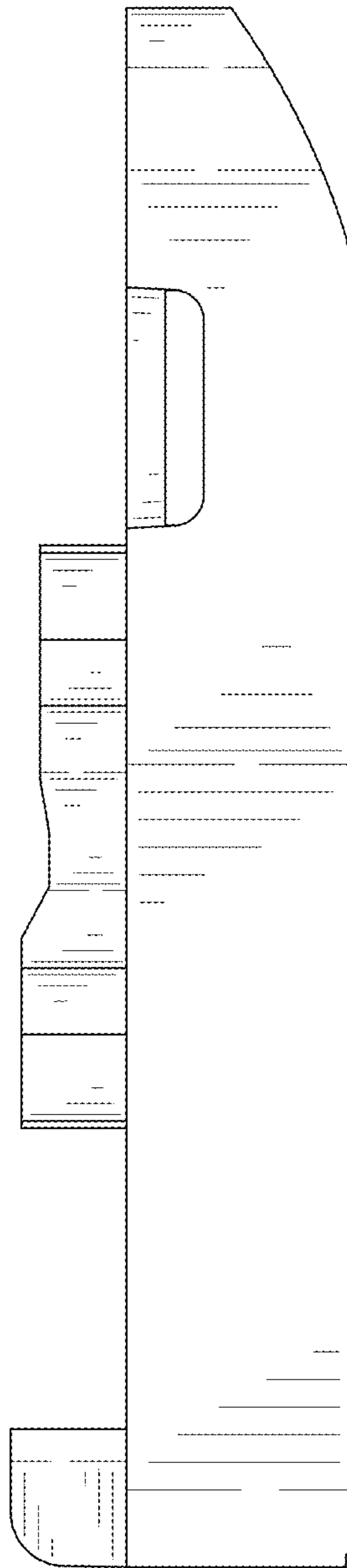


FIG. 6

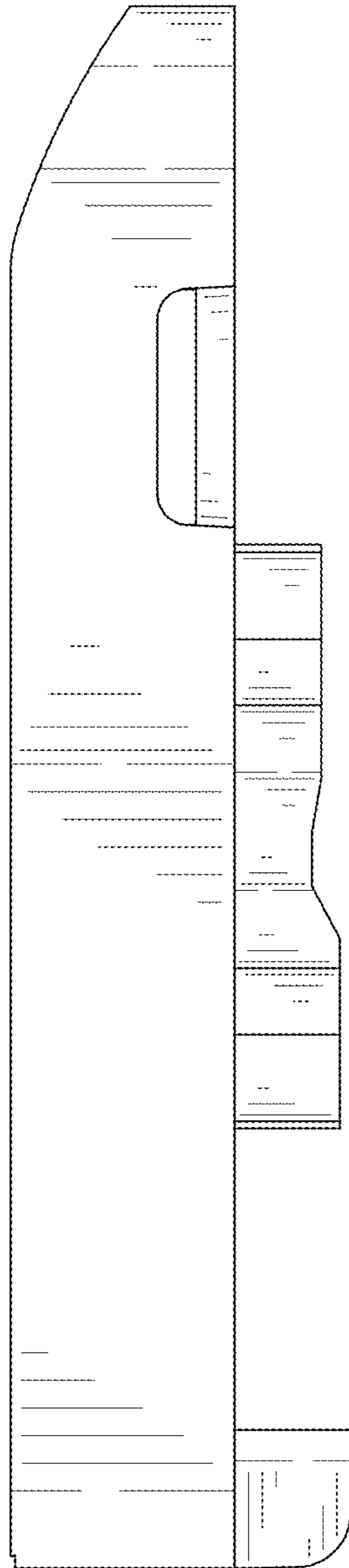


FIG. 7



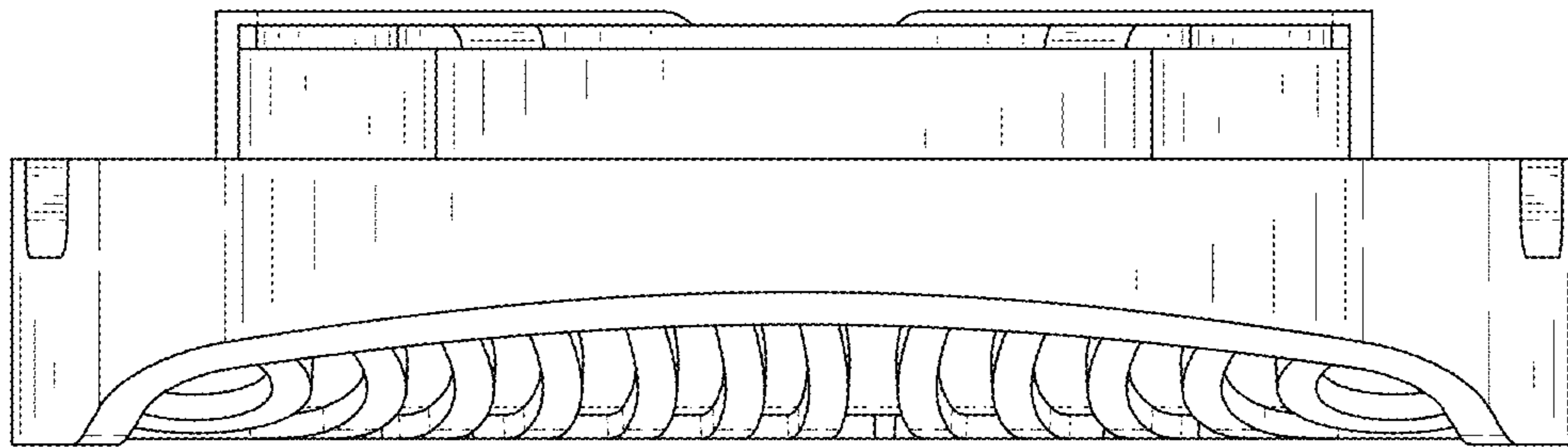


FIG. 8

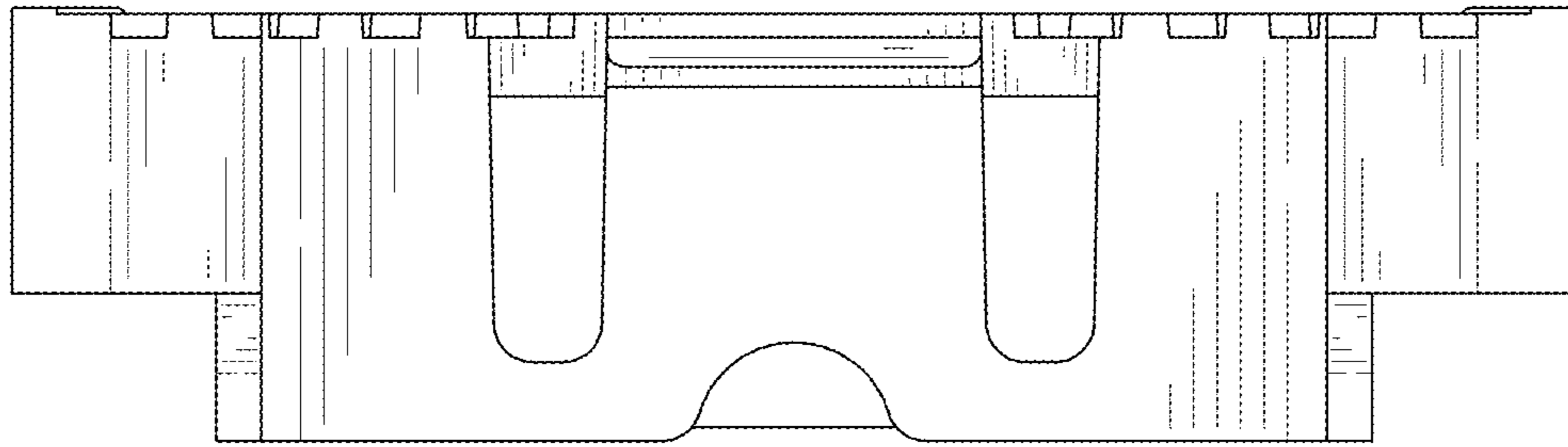


FIG. 9