



US00D975595S

(12) **United States Design Patent** (10) **Patent No.:** **US D975,595 S**
Xue et al. (45) **Date of Patent:** **** Jan. 17, 2023**

(54) **ELECTRIC MOTOR SCOOTER**
(71) Applicant: **YADEA TECHNOLOGY GROUP CO., LTD**, Wuxi (CN)
(72) Inventors: **Bo Xue**, Wuxi (CN); **Jiajun Mo**, Wuxi (CN); **Rui Fan**, Wuxi (CN)
(73) Assignee: **YADEA TECHNOLOGY GROUP CO., LTD**, Wuxi (CN)

D622,637 S * 8/2010 Schneider D12/110
D632,227 S * 2/2011 Lambri D12/110
D642,497 S * 8/2011 Lin D12/110
D643,782 S * 8/2011 Maccioni D12/110
D644,570 S * 9/2011 Chuang D12/110
D647,006 S * 10/2011 Hung D12/110
D654,402 S * 2/2012 Lambri D12/110
D664,898 S * 8/2012 Van Hooydonk D12/110
D669,395 S * 10/2012 Lambri D12/110
D669,396 S * 10/2012 Sawatsutipan D12/110
D673,882 S * 1/2013 Tartarini D12/110

(Continued)

(**) Term: **15 Years**

OTHER PUBLICATIONS

(21) Appl. No.: **29/779,301**

Sabrina Giacomini. "Yamaha and Gogoro Team Up To Build Battery-Swapping e-Scooter." Ride Apart., Sep. 14, 2018 [online], [retrieved on Aug. 26, 2022]. Retrieved from the Internet <URL: <https://www.rideapart.com/news/266129/yamaha-gogoro-battery-swap-scooter/>>.*

(22) Filed: **Apr. 19, 2021**

(Continued)

(30) **Foreign Application Priority Data**

Oct. 19, 2020 (CN) 202030621265.X

(51) **LOC (14) Cl.** **12-11**

(52) **U.S. Cl.**
USPC **D12/110**

(58) **Field of Classification Search**
USPC D12/110, 111, 117; D21/432, 538
CPC B62K 11/00; B62K 11/02; B62K 11/04;
B62K 11/10; B62K 17/00; B62K 19/00;
B62K 2202/00

See application file for complete search history.

Primary Examiner — Darlington Ly

(74) *Attorney, Agent, or Firm* — Soroker Agmon
Nordman Pte Ltd

(57) **CLAIM**

The ornamental design for an electric motor scooter, as shown and described.

DESCRIPTION

(56) **References Cited**

U.S. PATENT DOCUMENTS

4,487,283 A * 12/1984 Suzuki B62J 35/00
180/68.5
4,715,465 A * 12/1987 Takahashi B62J 17/10
180/219
D475,950 S * 6/2003 Kawano D12/110
D490,750 S * 6/2004 Hoshino D12/110
D503,908 S * 4/2005 Tomomatsu D12/110
D610,490 S * 2/2010 Wong D12/110
D622,636 S * 8/2010 Cheng D12/110

FIG. 1 is a left side elevation view of an electric motor scooter embodying our new design;
FIG. 2 is a right side elevation view thereof;
FIG. 3 is a front elevation view thereof;
FIG. 4 is a rear elevation view thereof;
FIG. 5 is a top plan view thereof;
FIG. 6 is a bottom plan view thereof;
FIG. 7 is a front and left side perspective view thereof; and,
FIG. 8 is a rear and right side perspective view thereof.

1 Claim, 6 Drawing Sheets



(56)

References Cited

U.S. PATENT DOCUMENTS

D678,128 S * 3/2013 Lambri D12/110
D678,129 S * 3/2013 Kubota D12/110
D680,911 S * 4/2013 Wu D12/110
D697,835 S * 1/2014 Kito D12/110
D726,076 S * 4/2015 Arai D12/110
D727,799 S * 4/2015 Castrucci D12/110
9,216,787 B2 * 12/2015 Duncan B62J 43/23

OTHER PUBLICATIONS

Taiwan Today. "Gogoro sets company record with preorders of new series." Taiwan Times., Jul. 12, 2017 [online], [retrieved on Aug. 26, 2022]. Retrieved from the Internet <URL: <https://www.taiwannews.com.tw/en/news/3208661>>.*

Guy Salens. "Quadro Vehicles presents their electric scooter Oxygen." Electric Motorcycles News., Jun. 22, 2019 [online], [retrieved on Aug. 26, 2022]. Retrieved from the Internet <URL: <https://electricmotorcycles.news/quadro-vehicles-presents-their-electric-scooter-oxygen/>>.*

* cited by examiner

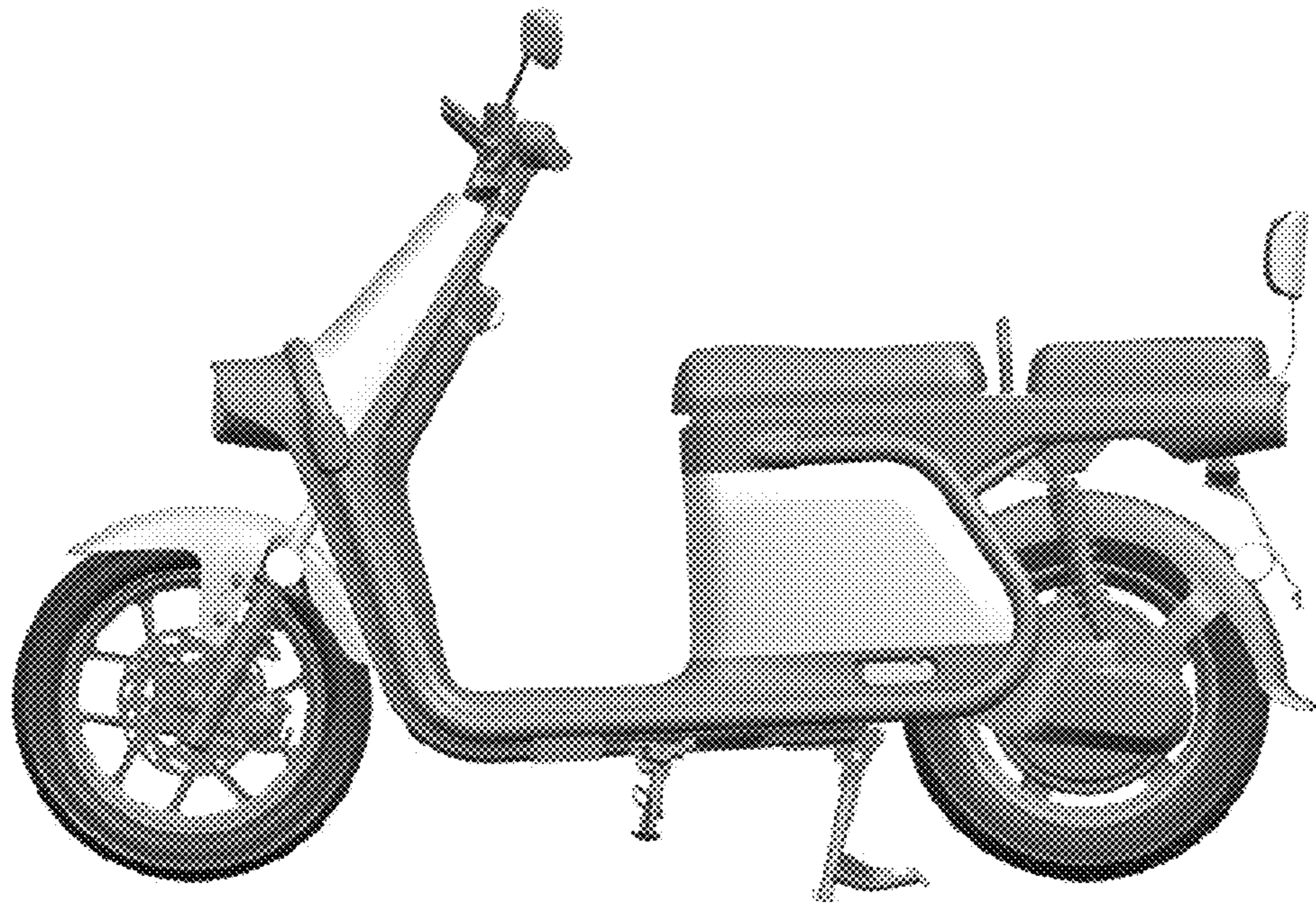


FIG. 1

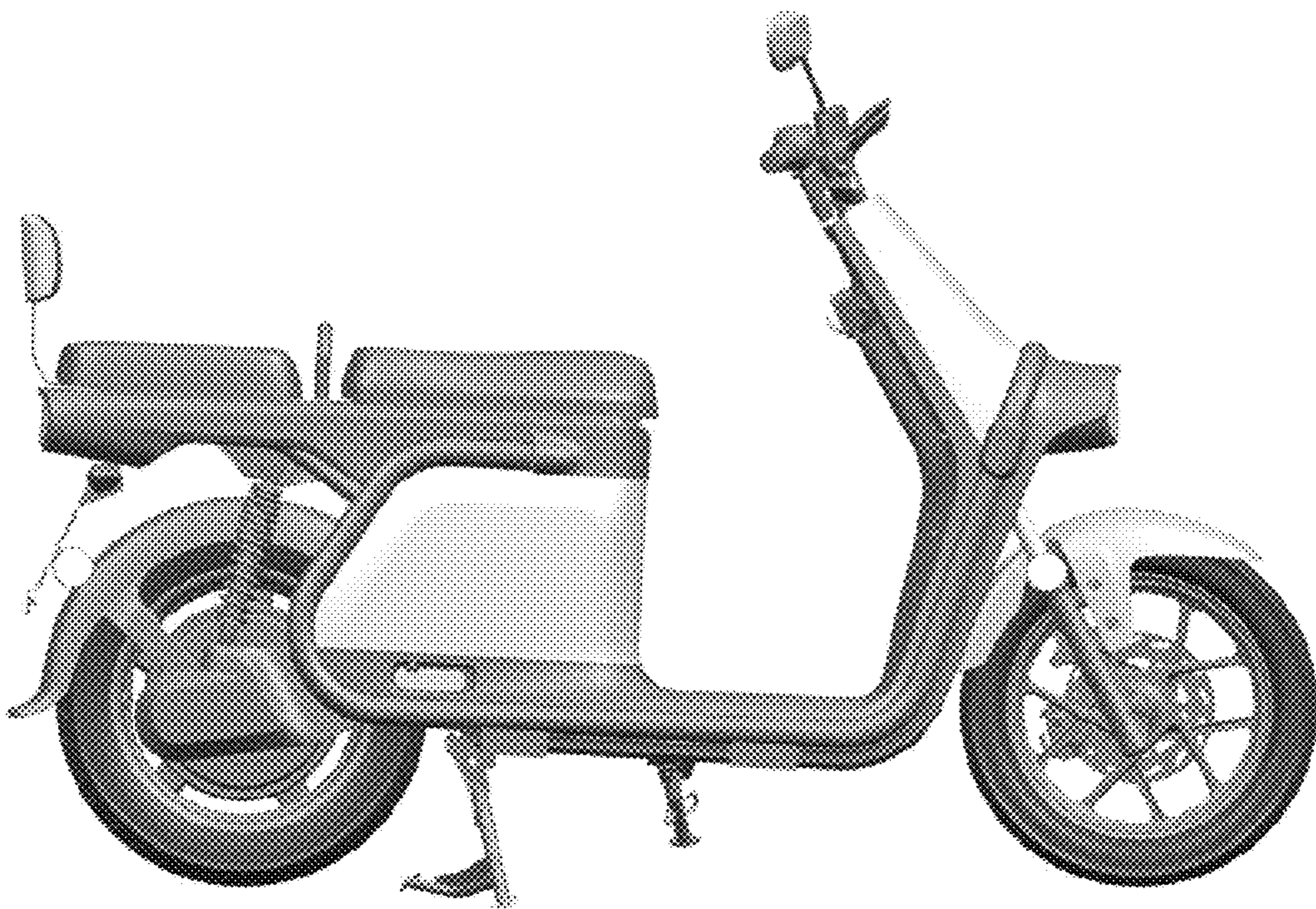


FIG. 2

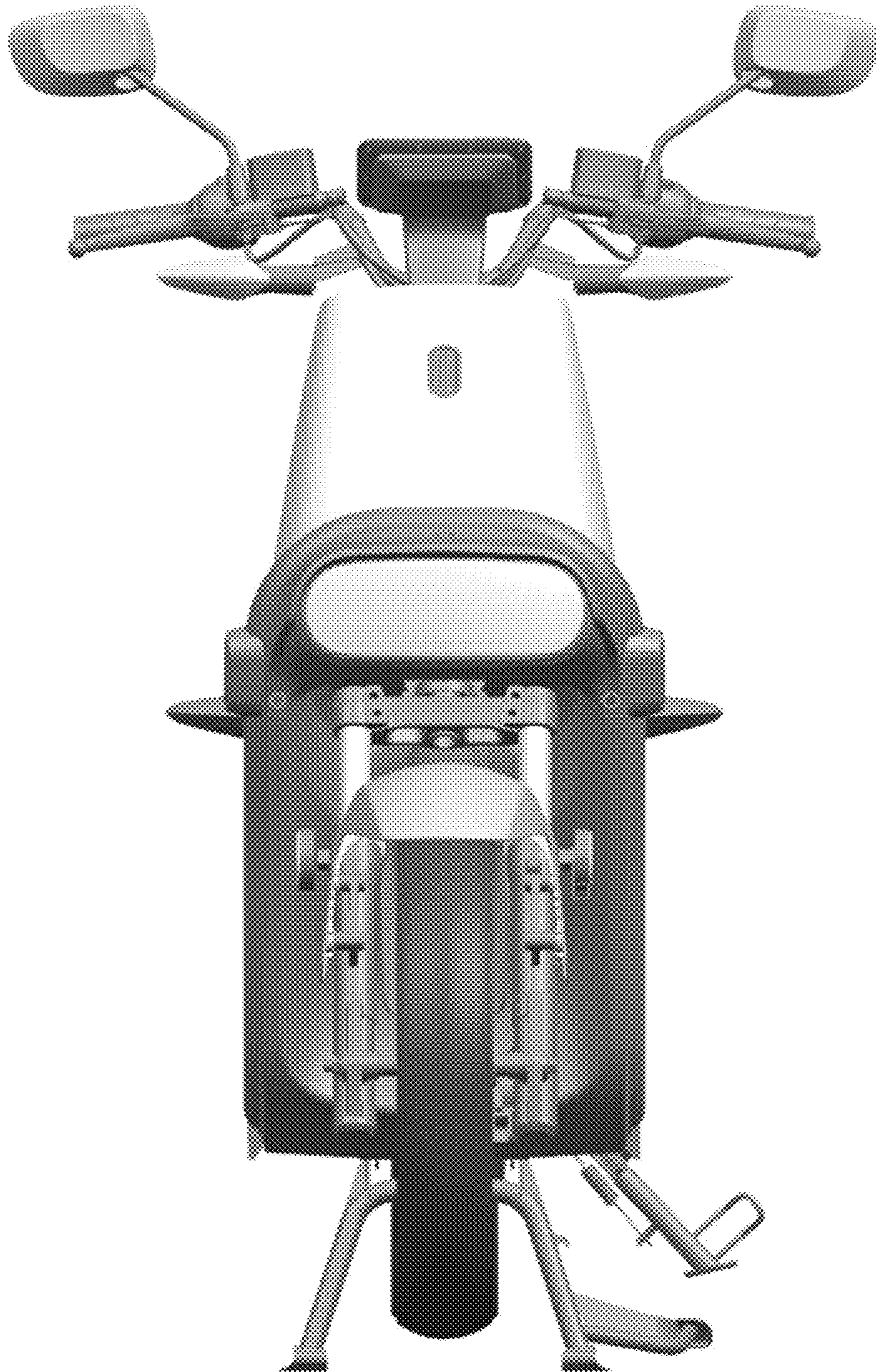


FIG. 3

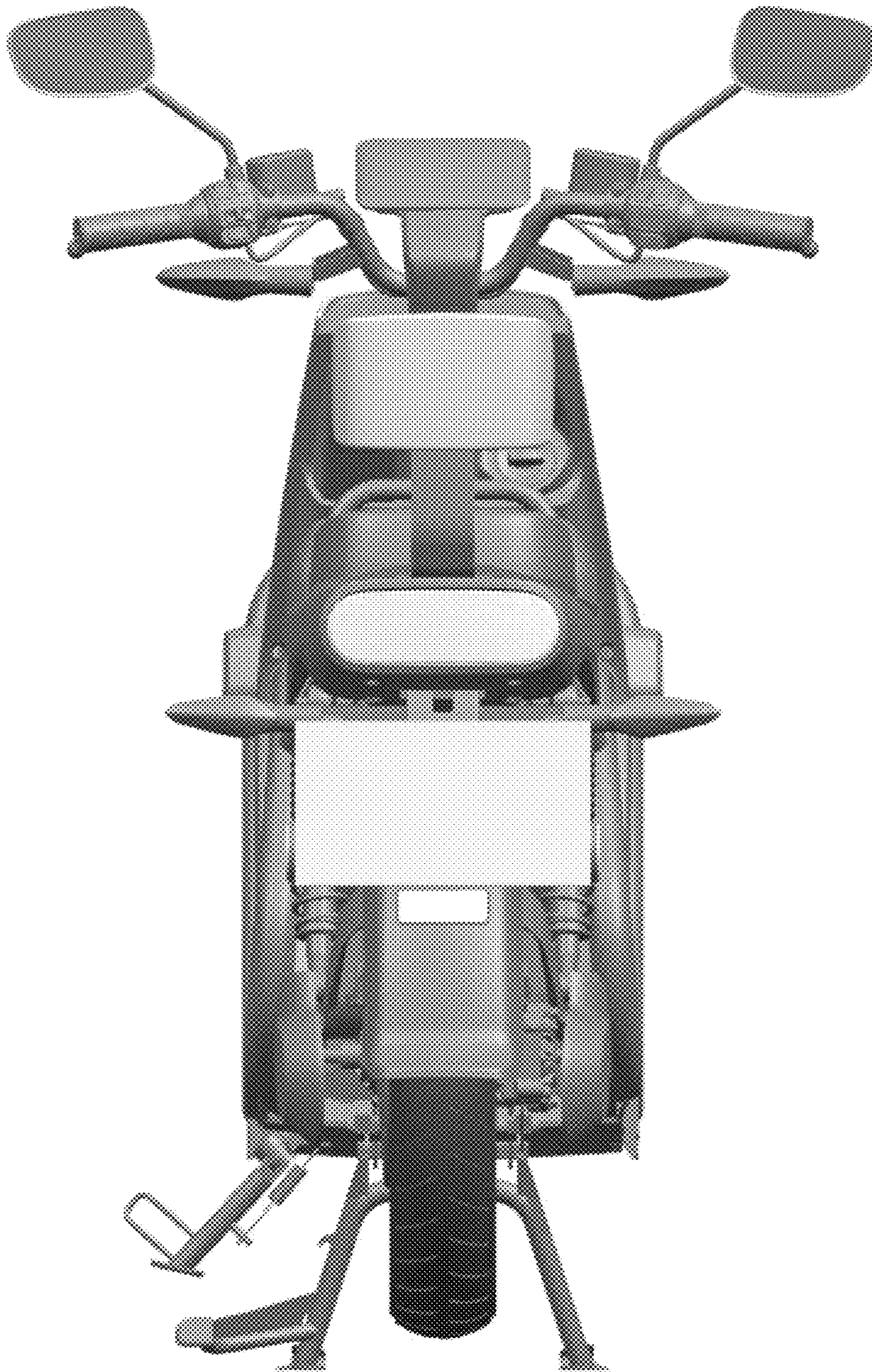


FIG. 4

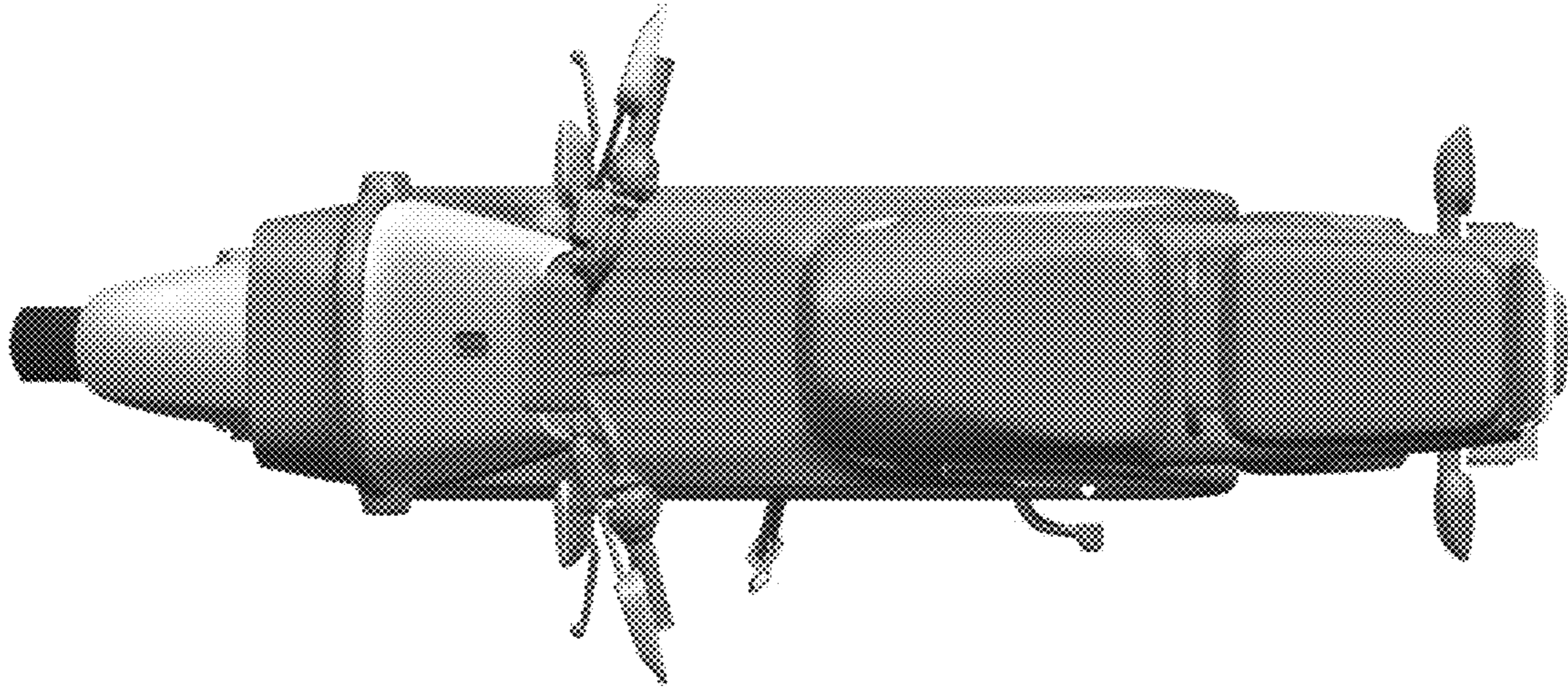


FIG. 5

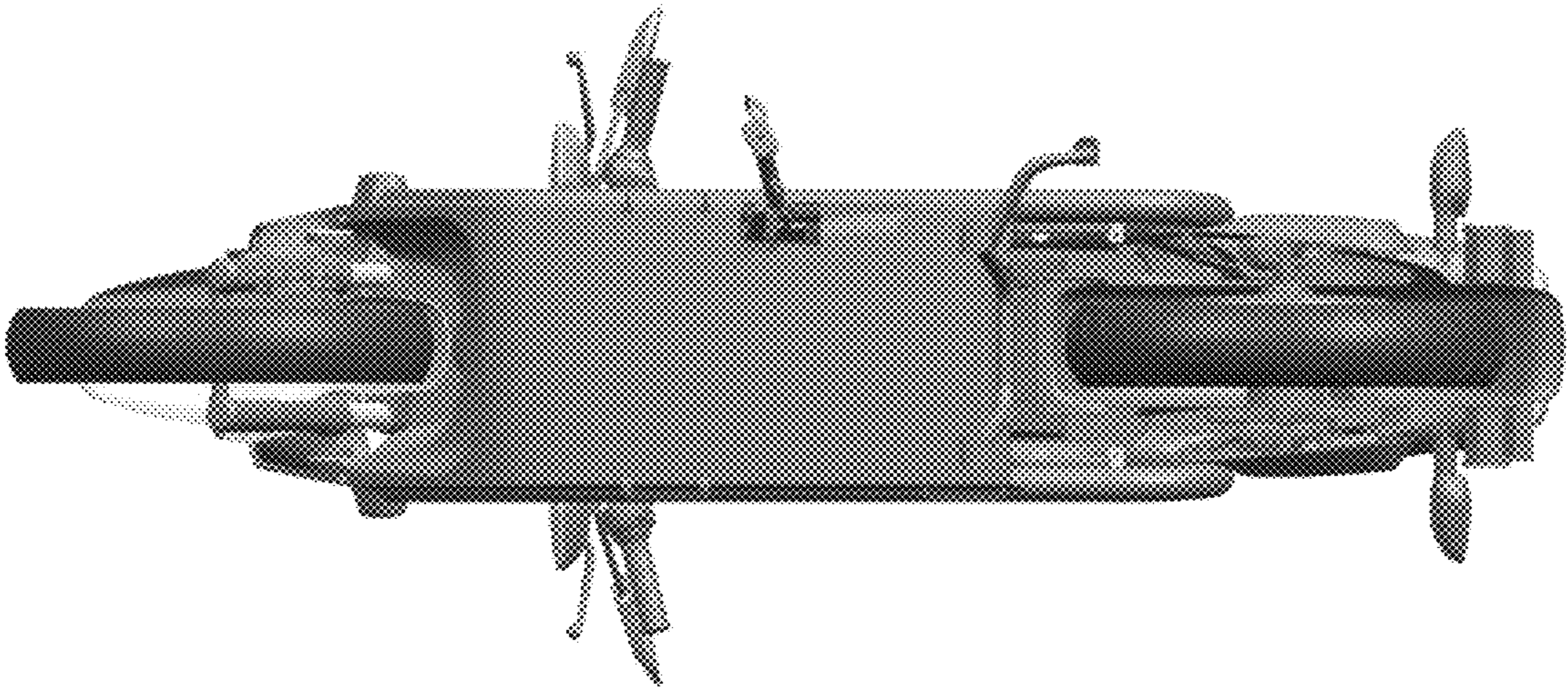


FIG. 6



FIG. 7



FIG. 8