



US00D975594S

(12) **United States Design Patent**
Dumka

(10) **Patent No.:** **US D975,594 S**
(45) **Date of Patent:** **** Jan. 17, 2023**

- (54) **HIDDEN CORNER PANTRY FOR RECREATIONAL VEHICLE**
- (71) Applicant: **Jeremiah Dumka**, Goshen, IN (US)
- (72) Inventor: **Jeremiah Dumka**, Goshen, IN (US)
- (**) Term: **15 Years**
- (21) Appl. No.: **29/651,375**
- (22) Filed: **Jun. 25, 2018**
- (51) **LOC (14) Cl.** **12-08**
- (52) **U.S. Cl.**
USPC **D12/100**
- (58) **Field of Classification Search**
USPC D12/99, 100–106, 93, 94, 223, 400, 406,
D12/422–426; D6/562, 566, 653, 653.1,
D6/663, 664, 512, 661, 545, 671.1
CPC B60P 3/32; B60P 3/36; B60R 7/04; B60R
7/08; A47B 67/04; A47B 96/02; A47B
96/022; A47B 96/027; A47B 96/201;
A47B 81/002
See application file for complete search history.

- D409,868 S * 5/1999 France D6/562
- D421,867 S * 3/2000 Carville D6/525
- D444,017 S * 6/2001 Walker D6/562
- 6,293,612 B1 * 9/2001 Crean B60P 3/36
296/165
- 6,637,804 B1 * 10/2003 Crean B60P 3/34
296/165
- D522,271 S * 6/2006 Arippol D6/676.2
- D551,887 S * 10/2007 Webster D6/562

(Continued)

Primary Examiner — Michelle E. Wilson
Assistant Examiner — Clese Moore, Jr.
(74) *Attorney, Agent, or Firm* — Ryan M. Fountain

(57) **CLAIM**

The ornamental design for a hidden corner pantry for recreational vehicle, substantially as shown and described above.

DESCRIPTION

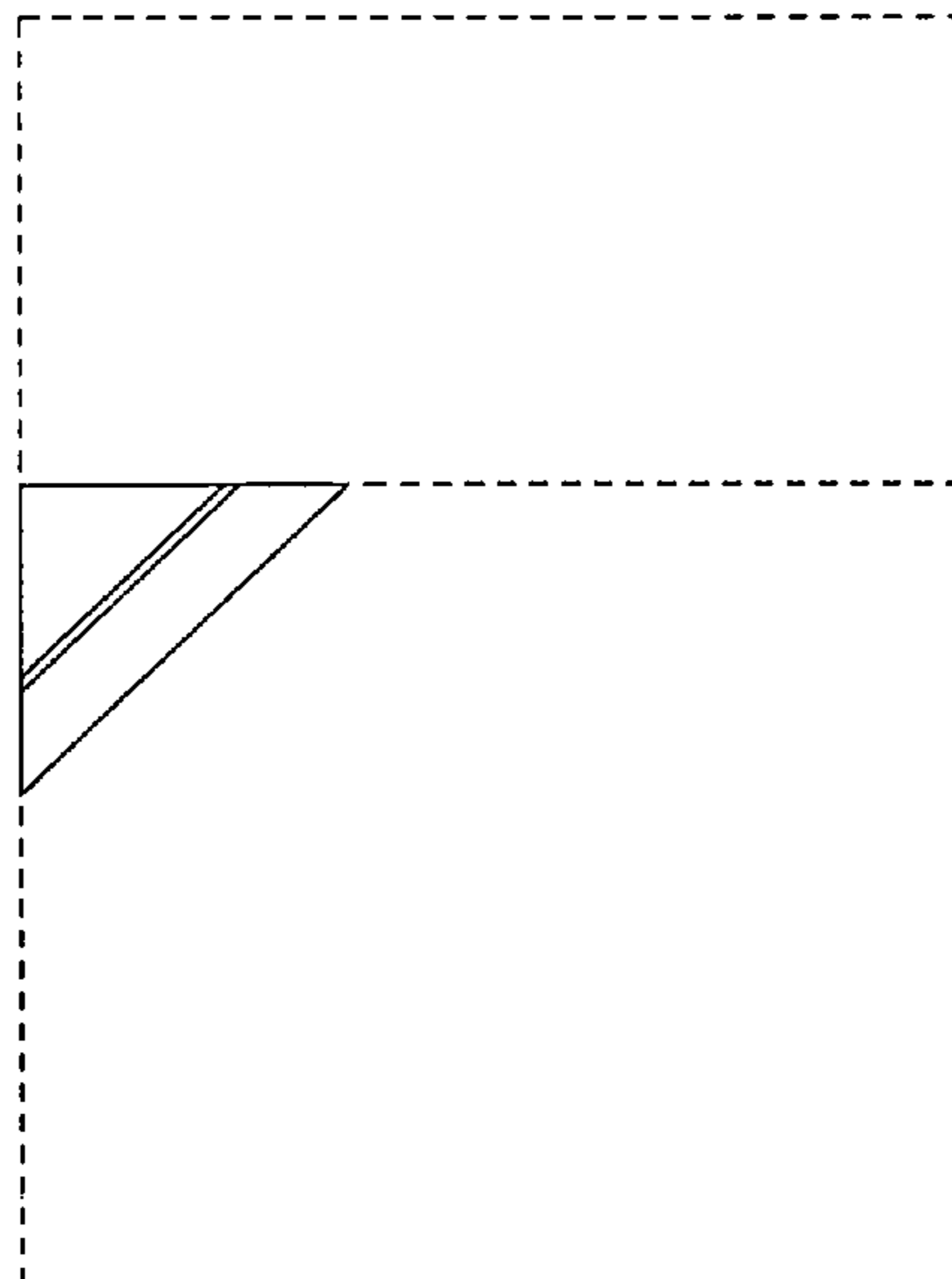
FIG. 1 shows a top plan view of a portion of an RV incorporating the design of the present invention, with the diagonal wall closed over the pantry portion to conceal the pantry when access to the pantry is not needed. The portions of the RV not adjacent the pantry and diagonal wall form no portion of the claimed design and are illustrated in dashed line format. The remaining contents and features of the RV form no portion of the claimed design and are omitted from this figure for clarity.

FIG. 2 shows a top plan view of the design of the present invention according to the embodiment of FIG. 1, with the diagonal wall opened to allow access to the pantry portion; and,

FIG. 3 shows an isometric upper, front, right view of the design of the present invention according to the embodiment of FIG. 1.

The broken lines shown illustrate portions of the hidden corner pantry for recreational vehicle and environment that form no part of the claimed design.

1 Claim, 2 Drawing Sheets



(56)

References Cited

U.S. PATENT DOCUMENTS

D638,640 S * 5/2011 Molayem D6/676.2
D653,068 S * 1/2012 Klein D6/562
D713,181 S * 9/2014 Cohen D6/676.1
8,998,008 B1 * 4/2015 Robertson A47B 96/022
108/42
D761,600 S * 7/2016 Hsu D6/678.1
D811,131 S * 2/2018 Zfania D6/669
2013/0228541 A1 * 9/2013 O'Hara A47G 25/06
211/134
2015/0114920 A1 * 4/2015 Kula A47B 96/027
211/135
2016/0192777 A1 * 7/2016 Karins, Sr. A47B 96/201
211/119.009

* cited by examiner

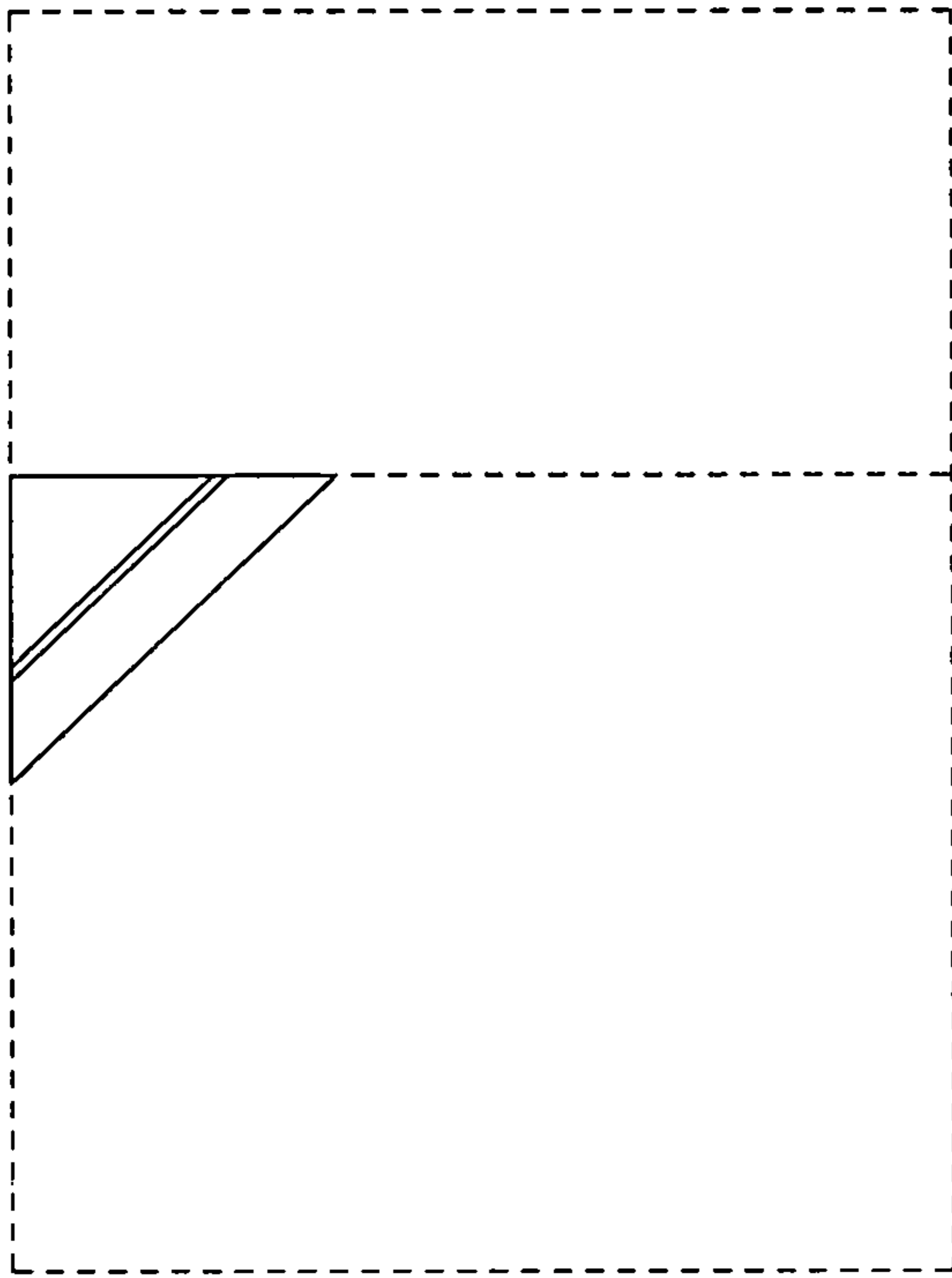


FIG. 1

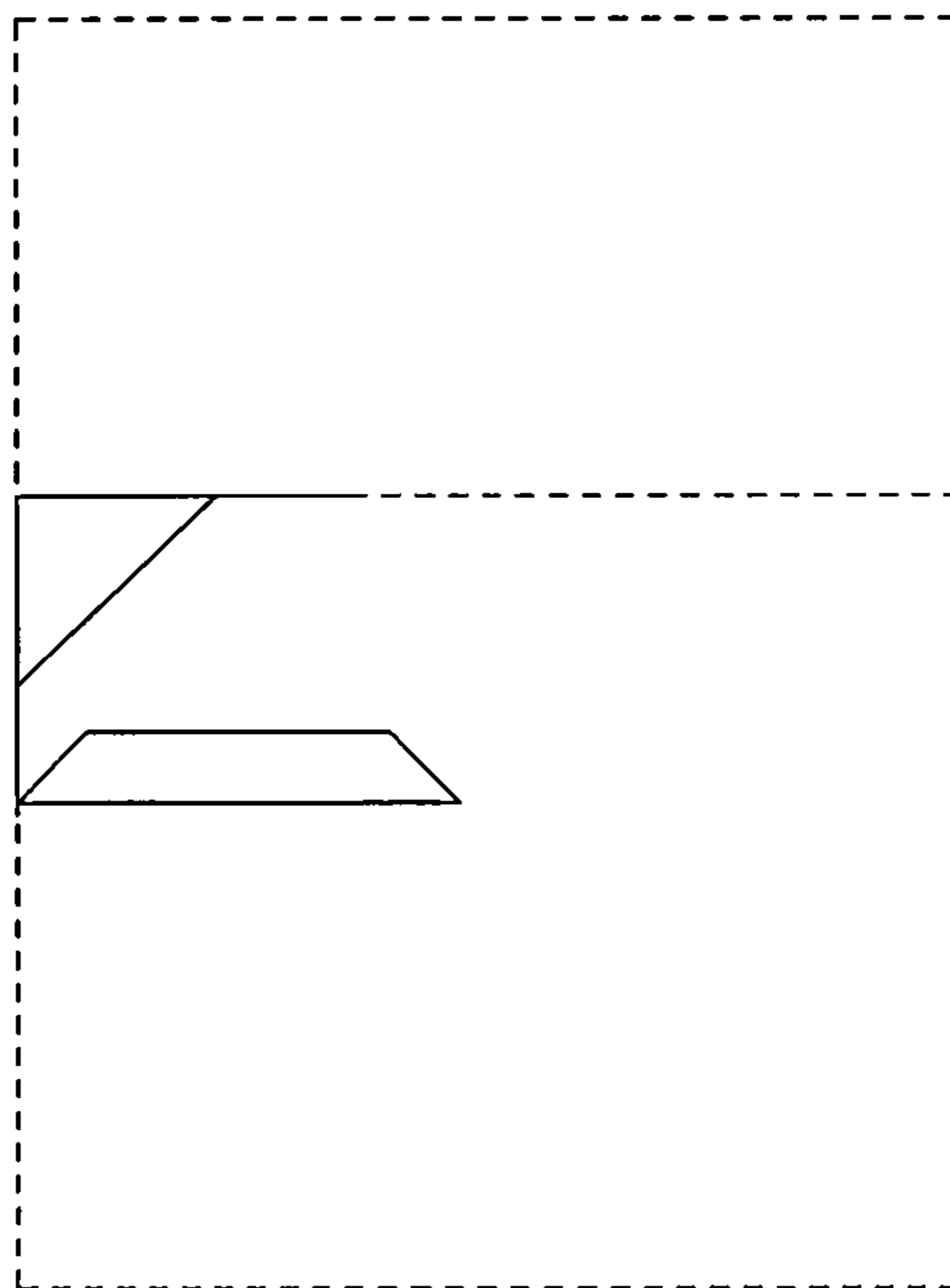


FIG. 2

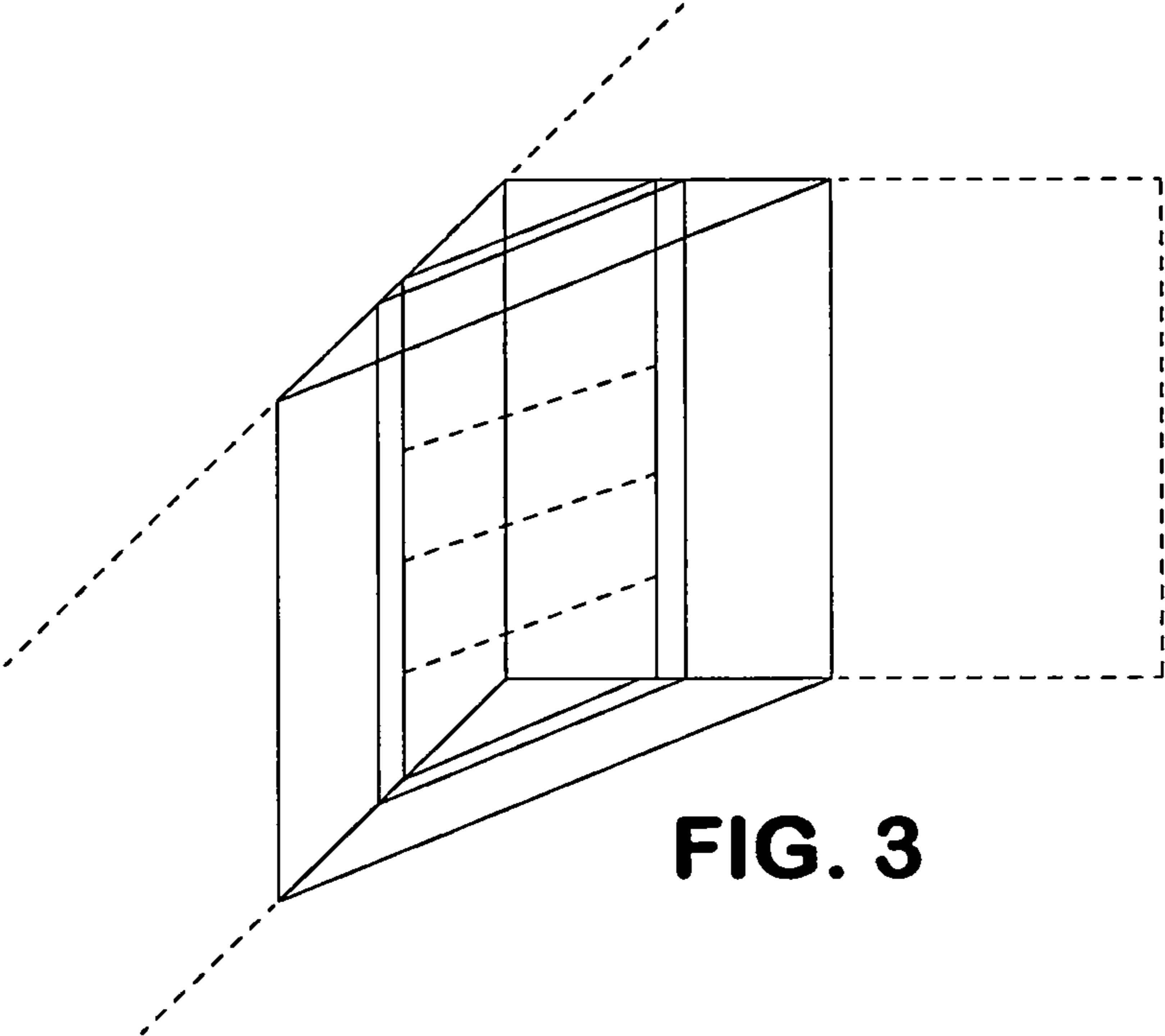


FIG. 3