



US00D975593S

(12) **United States Design Patent** (10) **Patent No.:** **US D975,593 S**  
**Kupitza** (45) **Date of Patent:** **\*\* Jan. 17, 2023**

(54) **STORAGE COMPARTMENT FOR A VEHICLE**

(71) Applicant: **Man Truck & Bus SE**, Munich (DE)

(72) Inventor: **Rudolf Kupitza**, Munich (DE)

(73) Assignee: **MAN TRUCK & BUS SE**, Munich (DE)

(\*\*) Term: **15 Years**

(21) Appl. No.: **29/807,576**

(22) Filed: **Sep. 13, 2021**

**Related U.S. Application Data**

(62) Division of application No. 35/509,887, filed on Nov. 26, 2019 (U.S. filing date under 35 U.S.C. 384), and having an international filing date of Nov. 26, 2019, now Pat. No. Des. 933,532.

(30) **Foreign Application Priority Data**

Jun. 6, 2019 (DE) ..... 40 2019 100 633.8

(51) **LOC (14) Cl.** ..... **12-08**

(52) **U.S. Cl.**  
USPC ..... **D12/96**

(58) **Field of Classification Search**

USPC ... D12/1, 14, 15, 82, 84, 90, 93, 95, 96, 99;  
D21/433, 434, 552, 554  
CPC ..... B60Y 2200/14; B60Y 2200/141; B60Y  
2200/142; B60Y 2200/1422; B62D 33/00;  
B62D 33/06; B62D 33/077; B62D  
33/0604; B62D 33/0612

See application file for complete search history.

(56) **References Cited**

**U.S. PATENT DOCUMENTS**

2,699,223 A 1/1955 Brumbaugh  
D276,710 S 12/1984 Brunger et al.

4,972,913 A 11/1990 Ray et al.  
D416,829 S 11/1999 Sacco et al.  
D422,944 S 4/2000 Hellhake et al.  
D425,826 S 5/2000 Hellhake et al.  
D442,519 S \* 5/2001 Sacco ..... D12/96  
6,230,832 B1 5/2001 von Mayenburg et al.  
D540,218 S \* 4/2007 Sekiguchi ..... D12/96  
D540,219 S 4/2007 Oka  
D567,885 S 4/2008 Amadio et al.

(Continued)

**OTHER PUBLICATIONS**

“Simplifying Business.” Man Truckbus Asia., May 27, 2020 [online], [retrieved on Oct. 9, 2022]. Retrieved from the Internet <URL: <http://www.man-truckbus-asia.com/pdf/Company%20Profile%20MAN.pdf>>.\*

(Continued)

*Primary Examiner* — Darlington Ly

(74) *Attorney, Agent, or Firm* — Fox Rothschild LLP

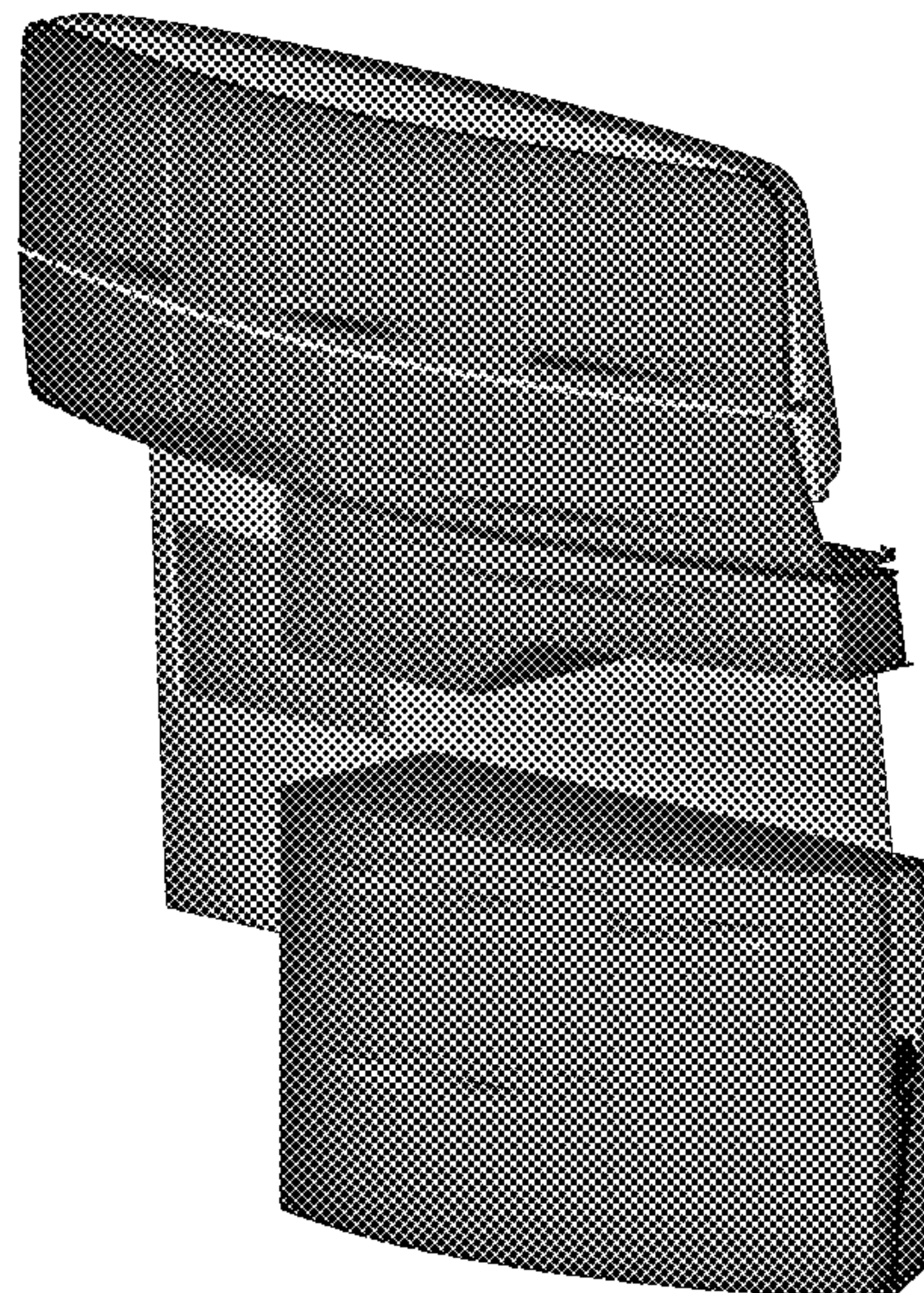
(57) **CLAIM**

The ornamental design for a storage compartment for a vehicle, as shown and described.

**DESCRIPTION**

FIG. 1 is a front elevation view of a storage compartment for a vehicle embodying my new design;  
FIG. 2 is a rear elevation view thereof;  
FIG. 3 is a right side elevation view thereof;  
FIG. 4 is a left side elevation view thereof;  
FIG. 5 is a top plan view thereof;  
FIG. 6 is a bottom plan view thereof;  
FIG. 7 is a front and right side perspective view thereof;  
FIG. 8 is a top, front, and right side perspective view thereof;  
FIG. 9 is a top, front, and left side perspective view thereof;  
and,  
FIG. 10 is a front and left side perspective view thereof.

**1 Claim, 10 Drawing Sheets**



(56)

References Cited

U.S. PATENT DOCUMENTS

D570,740	S *	6/2008	Emoto	.....	D12/96
D571,259	S *	6/2008	Emoto	.....	D12/96
D619,049	S *	7/2010	Beigel	.....	D12/96
D623,091	S *	9/2010	Beigel	.....	D12/96
D623,092	S *	9/2010	Beigel	.....	D12/96
D632,614	S *	2/2011	Iuchi	.....	D12/96
D634,244	S *	3/2011	Aris	.....	D12/96
D642,205	S *	7/2011	Yamamoto	.....	D15/30
D651,136	S *	12/2011	Stimel, Jr.	.....	D12/96
D653,994	S *	2/2012	Fukushima	.....	D12/96
D666,528	S *	9/2012	Lai	.....	D12/96
D685,294	S *	7/2013	Hanson et al.	.....	D15/30
D687,868	S *	8/2013	Watson	.....	D15/30
8,590,652	B2	11/2013	Grumbo	.....	D12/93
D700,109	S	2/2014	Brzustowicz et al.	.....	D15/30
D748,156	S *	1/2016	Koponen	.....	D12/93
D813,728	S *	3/2018	Ito	.....	D12/96
D817,229	S *	5/2018	Anderson	.....	D12/96
D842,349	S *	3/2019	Kim	.....	D12/84
D861,537	S *	10/2019	Lamanna	.....	D12/93
D871,267	S *	12/2019	Armigliato	.....	D12/195
D899,972	S *	10/2020	Lamanna	.....	D12/96
D912,578	S *	3/2021	Egger	.....	D12/93
D933,532	S *	10/2021	Kupitza	.....	B62D 25/06
D944,124	S *	2/2022	Spada	.....	D12/96
D955,295	S *	6/2022	Schwartz	.....	D12/96
2013/0202395	A1	8/2013	Levi	.....	B60L 50/66
2020/0259143	A1*	8/2020	Sloan	.....	B60H 1/32284
2021/0268865	A1*	9/2021	Saroka	.....	B60K 1/00
2022/0105791	A1*	4/2022	Hendriks	.....	

OTHER PUBLICATIONS

“That’s No Van. That’s a Man.” Man Truck & Bus., Jun. 2, 2021 [online], [retrieved on Oct. 9, 2022]. Retrieved from the Internet <URL: [https://www.man.eu/ntg\\_media/media/en/content\\_medien/doc/bw\\_master/van\\_1/man\\_tge\\_product\\_catalogue.pdf](https://www.man.eu/ntg_media/media/en/content_medien/doc/bw_master/van_1/man_tge_product_catalogue.pdf)>.\*

“2008 Man TGM.” Top Speed., Mar. 12, 2012 [online], [retrieved on Oct. 9, 2022]. Retrieved from the Internet <URL: <https://www.topspeed.com/trucks/truck-reviews/man/2008-man-tgm/>>.\*

“Inside Semi-Truck Sleepers.” CDL Training Today., Mar. 12, 2012 [online], [retrieved on Oct. 9, 2022]. Retrieved from the Internet <URL: <https://cdltrainingtoday.com/life-inside-a-semi-truck-sleeper/>>.\*

Hall-Geisler, “Nikola Motor Company unveils its electric (mostly) truck.” Tech Crunch., May 19, 2016 [online], [retrieved on Sep. 1, 2021]. Retrieved from the Internet <URL: <https://techcrunch.com/2016/05/19/nikola-motor-company-unveils-its-electric-mostly-truck/>>.

Saleem, “Hyzon Motors Is Ready To Exploit Its First-Mover Advantage . . .” WCCF Tech., May 18, 2021 [online], [retrieved on Sep. 1, 2021]. Retrieved from the Internet <URL: <https://wccftech.com/hyzon-motors-is-ready-to-exploit-its-first-mover-advantage-by-launching-hydrogen-fuel-cell-powered-co/>>.

“Top 10 Chinese Heavy-duty Truck Manufacturers.” Car Logos., Jul. 1, 2021 [online], [retrieved on Sep. 1, 2021]. Retrieved from the Internet <URL: <https://www.carlogos.org/reviews/chinese-heavy-duty-truck-manufacturers.html>>.

\* cited by examiner



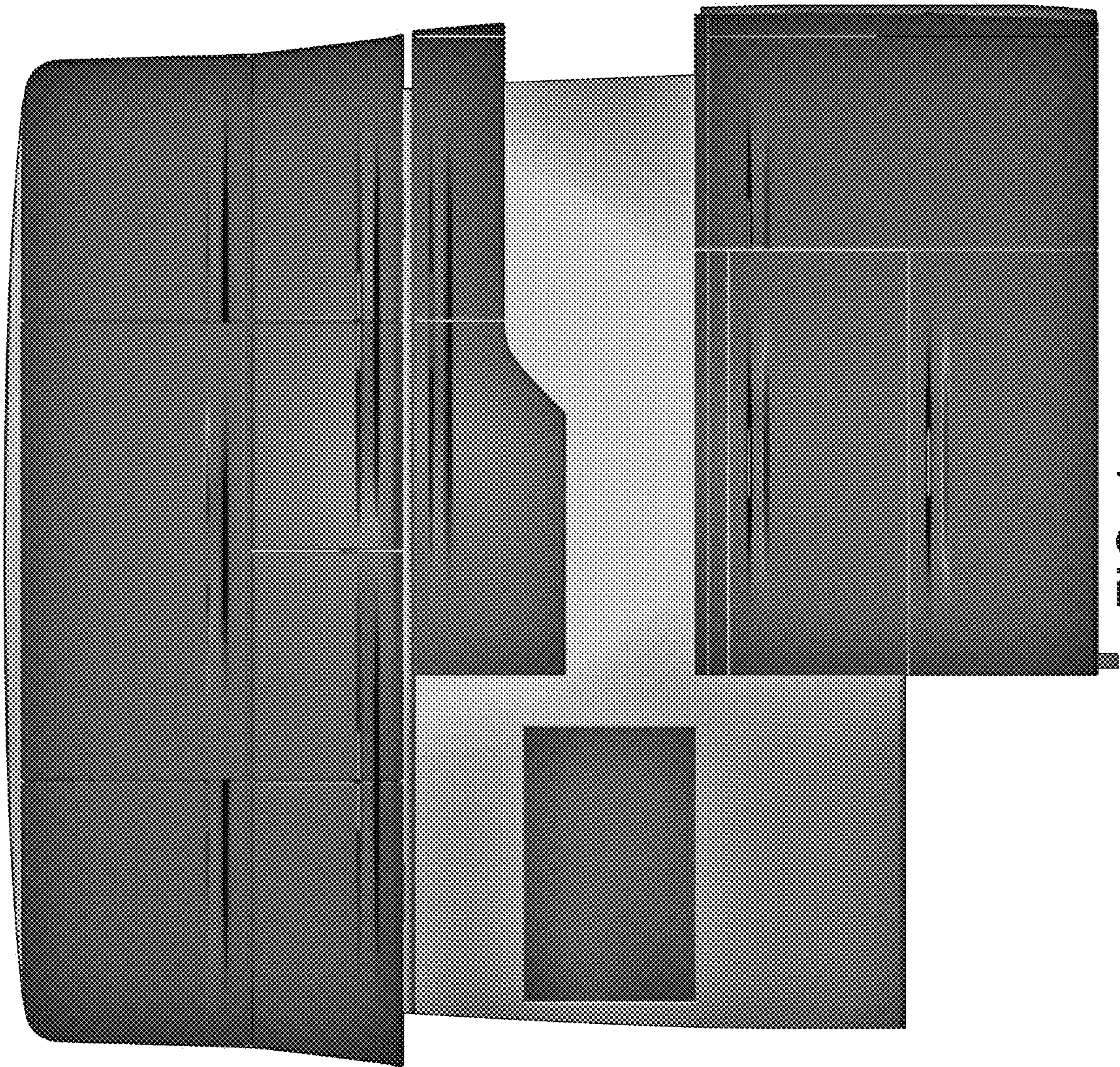


FIG. 1



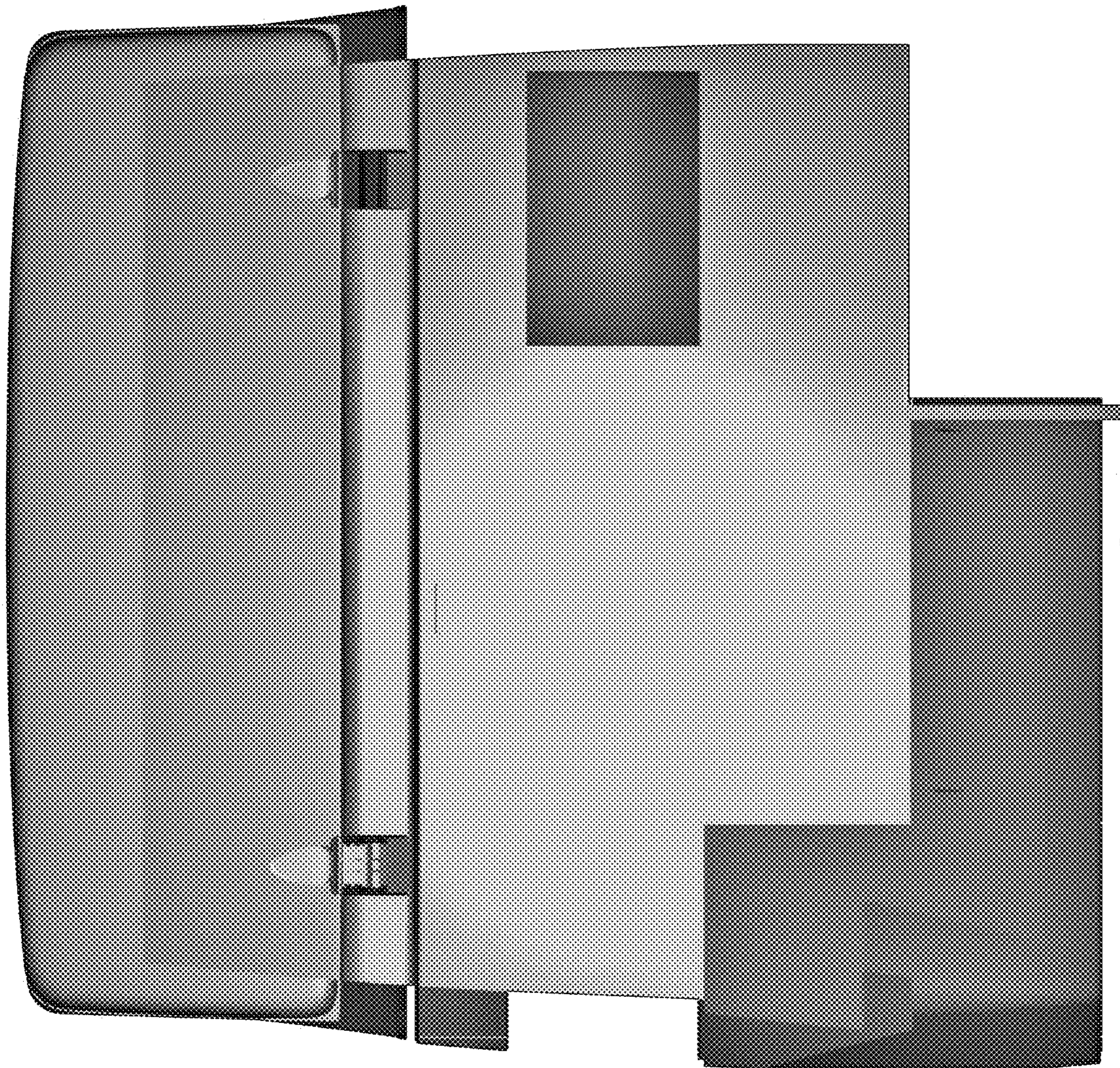


FIG. 2



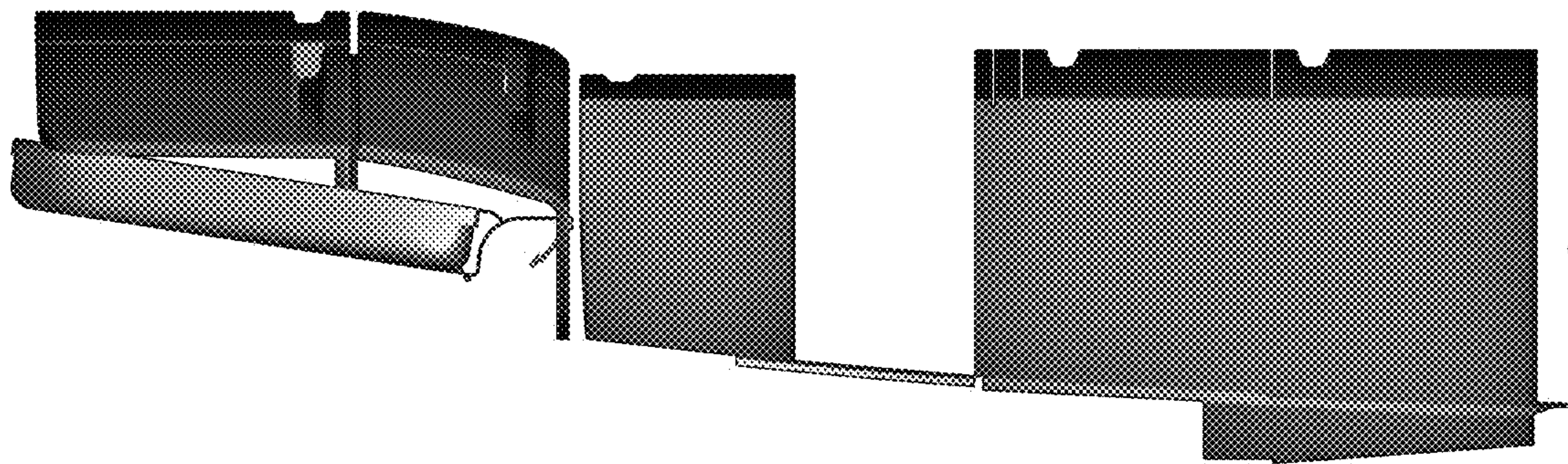


FIG. 3

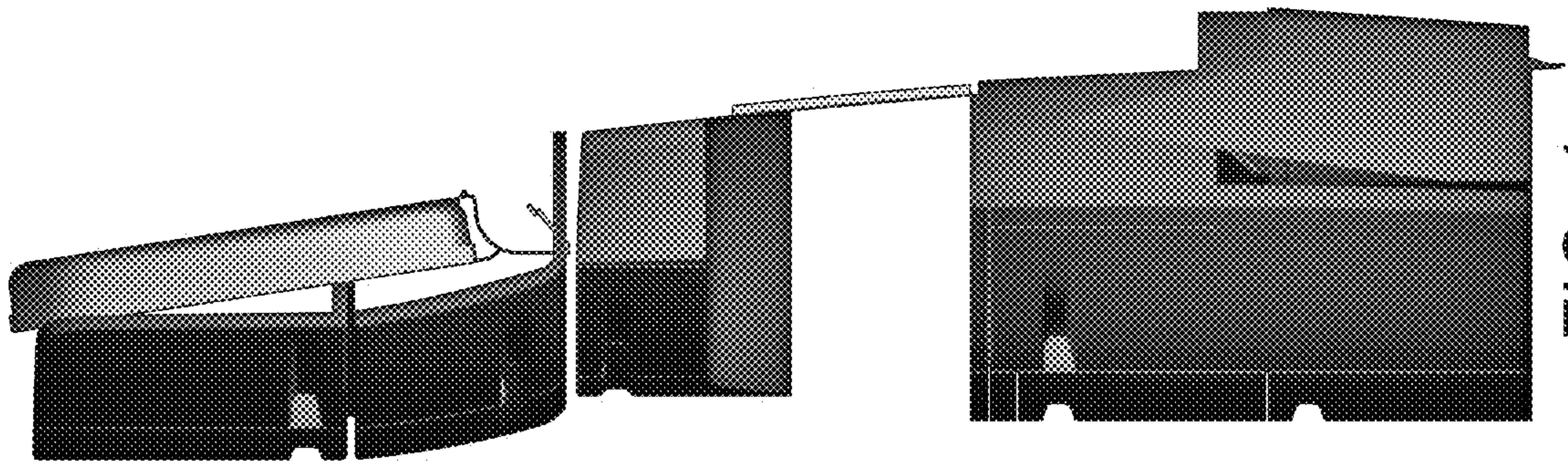


FIG. 4

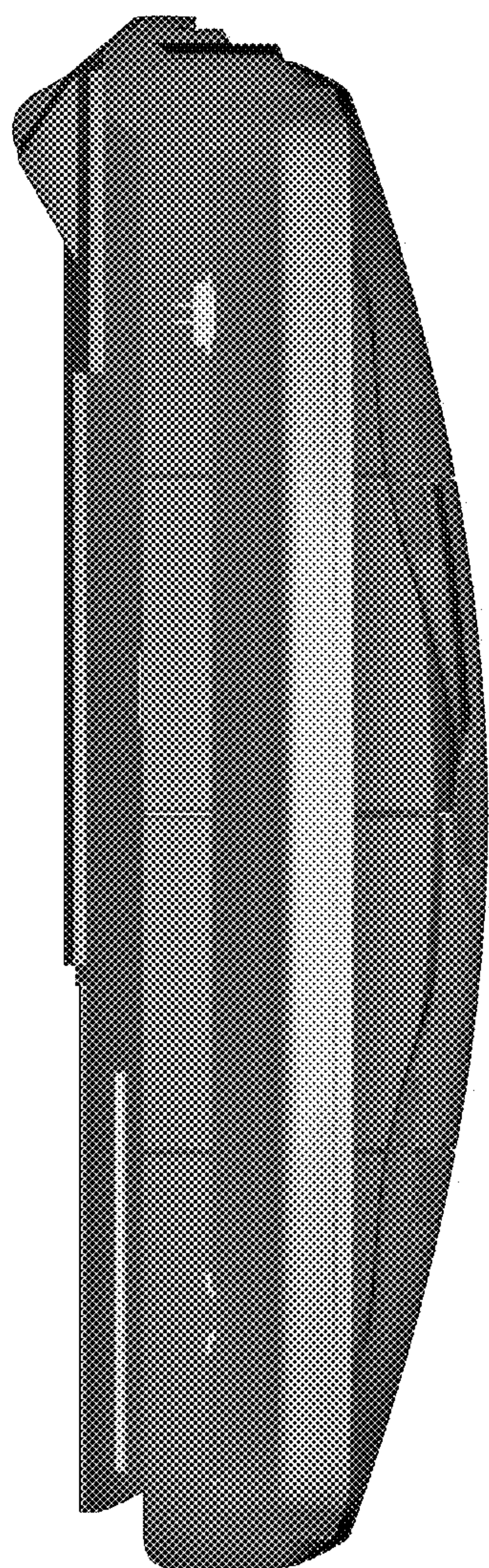


FIG. 5



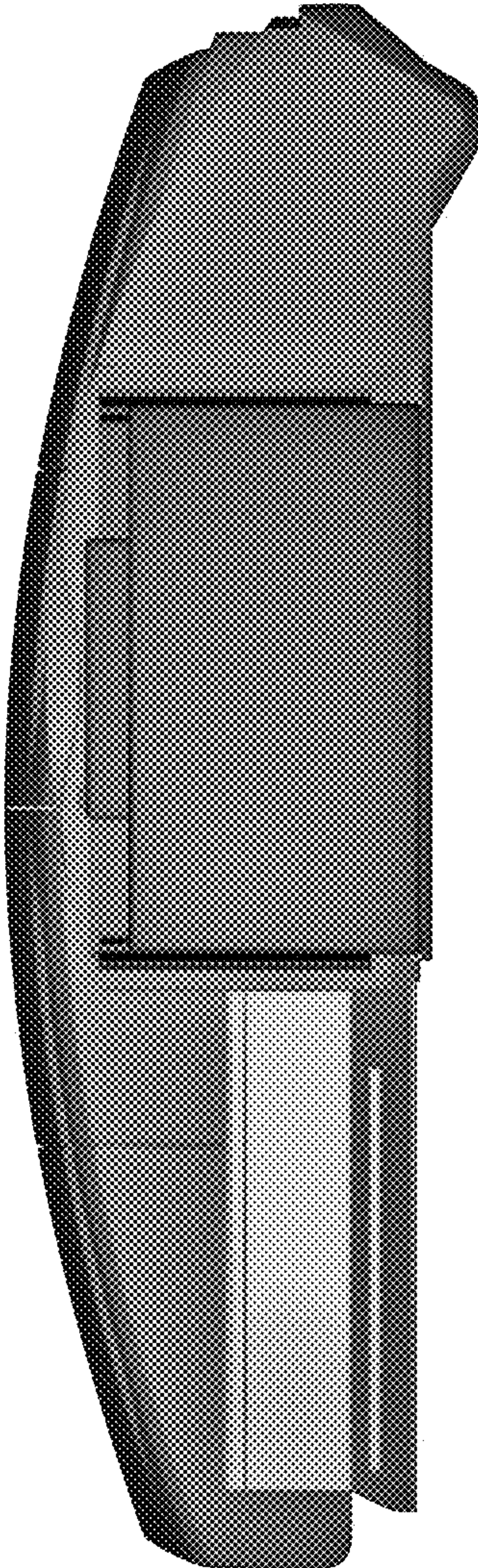


FIG. 6





FIG. 7







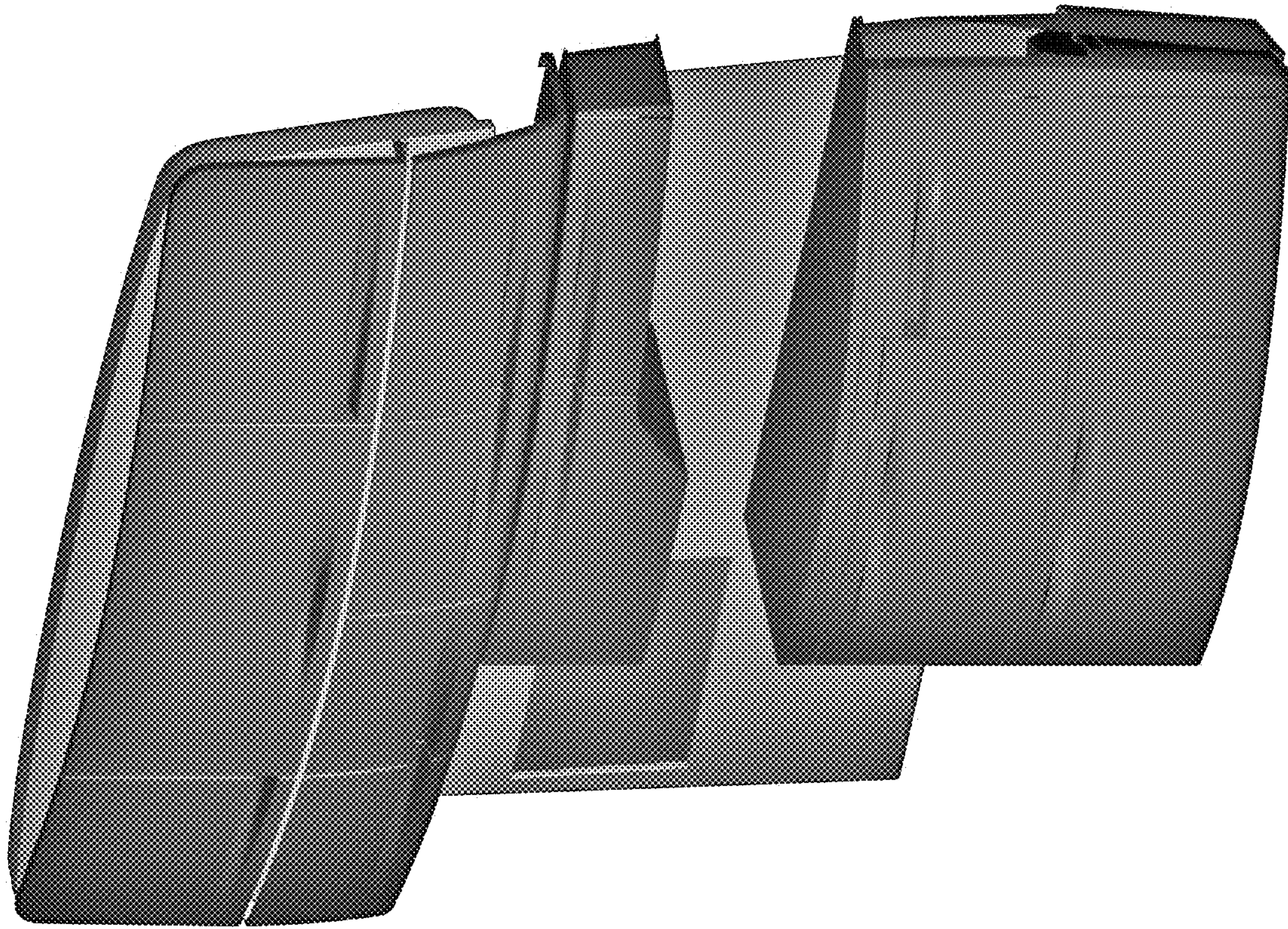


FIG. 9



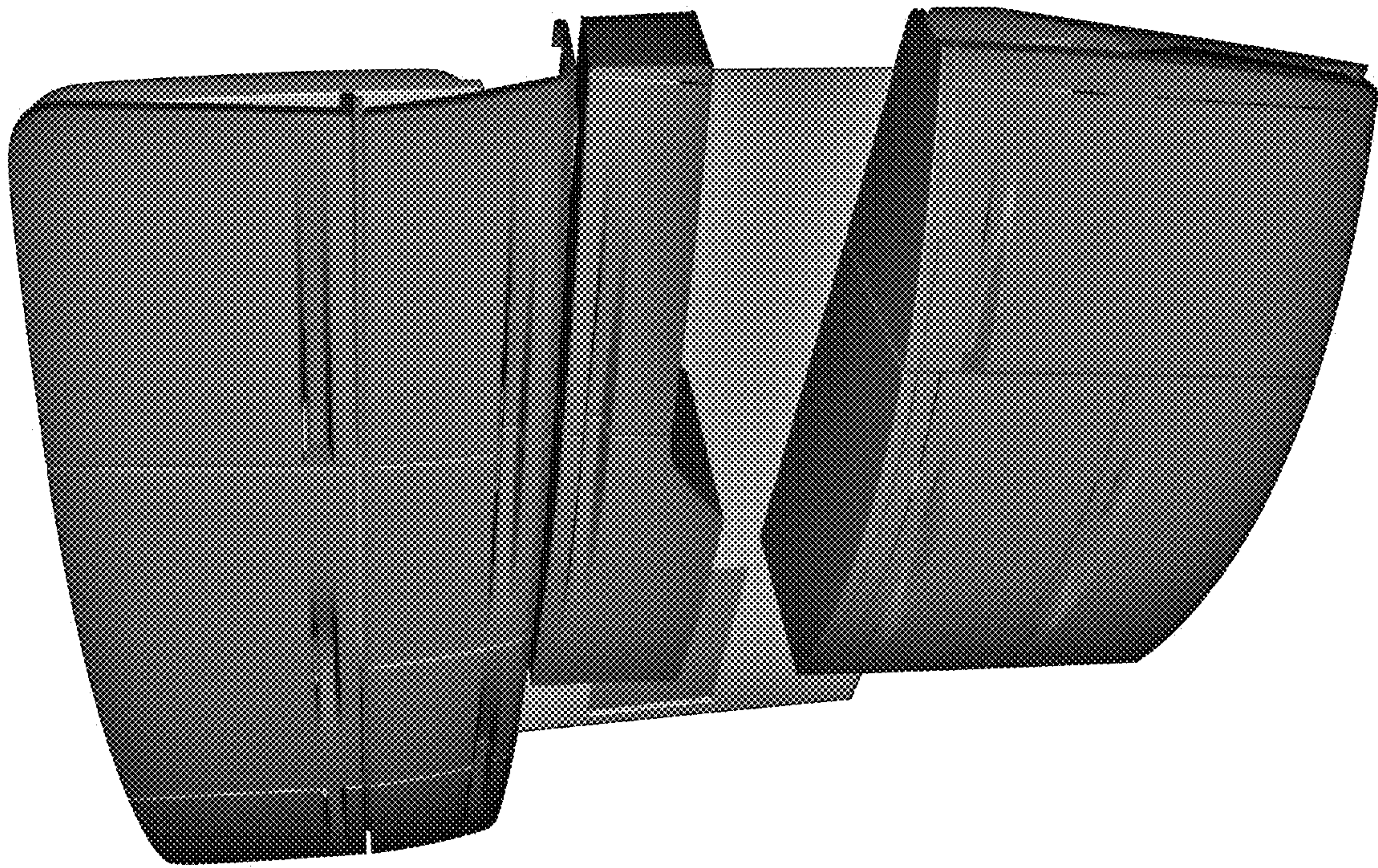


FIG. 10