



US00D975591S

(12) **United States Design Patent** (10) **Patent No.:** **US D975,591 S**
Luckevich et al. (45) **Date of Patent:** **** Jan. 17, 2023**

- (54) **ELECTRIC VEHICLE**
- (71) Applicant: **AYRO, Inc.**, Round Rock, TX (US)
- (72) Inventors: **Mark Luckevich**, Leander, TX (US);
Roy van Ermel Scherer, Cedar Creek, TX (US); **Thomas M. Wittenschlaeger**, Sarasota, FL (US)
- (73) Assignee: **AYRO, INC.**, Round Rock, TX (US)
- (**) Term: **15 Years**
- (21) Appl. No.: **29/830,198**
- (22) Filed: **Mar. 10, 2022**
- (51) **LOC (14) Cl.** **12-08**
- (52) **U.S. Cl.**
USPC **D12/93**
- (58) **Field of Classification Search**
USPC D12/86, 90, 91, 92, 99, 164; D21/424,
D21/433, 434, 533
CPC B62D 25/00; B62D 25/06; B62D 33/00;
B62D 35/00
See application file for complete search history.

Club Car Modular. 2022. Club Car. <https://www.clubcar.com/en-us/commercial/utility-4x2/club-car-current>.*

<https://jenkinsmotorsports.com/Utility-Vehicles-Club-Car-Club-Car-411-2021-Lakeland-FL-517190ef-c89f-455e-b9af-ac3d00a3ab0eNew> 2021 Club Car Club Car 411. 2021. Jenkins Motorsports.*

New 2022 Club Car. 2022. Mike's Golf Carts and Powersports. <https://mikesgolfcartsga.com/Utility-Vehicles-Club-Car-Current-LSV-2022-Douglas-GA-6ec98caa-d79b-4f06-a938-ad8d001c3d38>.*

* cited by examiner

Primary Examiner — George D. Kirschbaum
Assistant Examiner — Suzanne E Tisdell
(74) *Attorney, Agent, or Firm* — Haynes and Boone, LLP

(57) **CLAIM**

The ornamental design for an electric vehicle, as shown and described.

(56) **References Cited**

U.S. PATENT DOCUMENTS

D874,976 S *	2/2020	Okonsky	D12/85
D913,858 S *	3/2021	Wang	D12/98
D924,338 S *	7/2021	Wood	D21/561
D930,505 S *	9/2021	Mei	D12/86
D938,307 S *	12/2021	Hall	D12/87
D941,203 S *	1/2022	Kim	D12/186
D941,710 S *	1/2022	Mack	D12/99
D949,051 S *	4/2022	Watkins	D12/84
D955,293 S *	6/2022	Lee	D12/91
D957,289 S *	7/2022	Stronach	D12/85
D964,898 S *	9/2022	Goodrich	D12/93
D964,899 S *	9/2022	Malachowski	D12/93
D966,940 S *	10/2022	Malachowski	D12/93

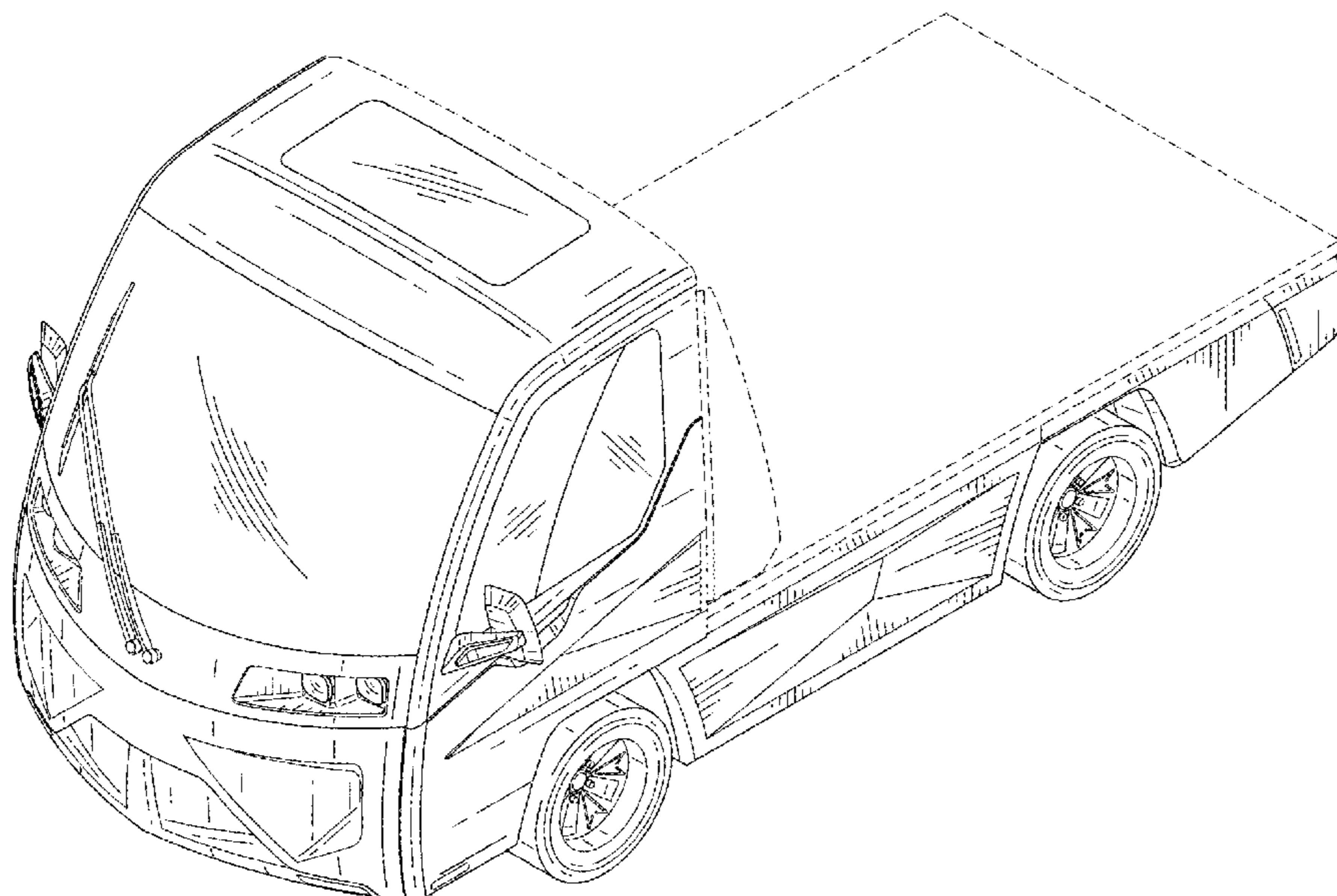
OTHER PUBLICATIONS

Electric Service Vehicle. (Design—© Questel) orbit.com. [Online PDF compilation of references] 38 pgs. Print Dates Range Jun. 1, 2022-Jun. 12, 2004 [Retrieved Oct. 19, 2022].*

DESCRIPTION

FIG. 1 is a front perspective view of an electric vehicle showing our new design;
FIG. 2 is a front view thereof;
FIG. 3 is a rear view thereof;
FIG. 4 is a right side view thereof;
FIG. 5 is a left side view thereof;
FIG. 6 is a top view thereof;
FIG. 7 is a rear perspective view thereof; and,
FIG. 8 is another front perspective thereof and is identical that of FIG. 1, except that the unclaimed portions illustrated in FIG. 8 are different from the unclaimed portions illustrated in FIGS. 1-7.
The broken lines shown in the drawings illustrate unclaimed portions of the electric vehicle and form no part of the claimed design.

1 Claim, 7 Drawing Sheets



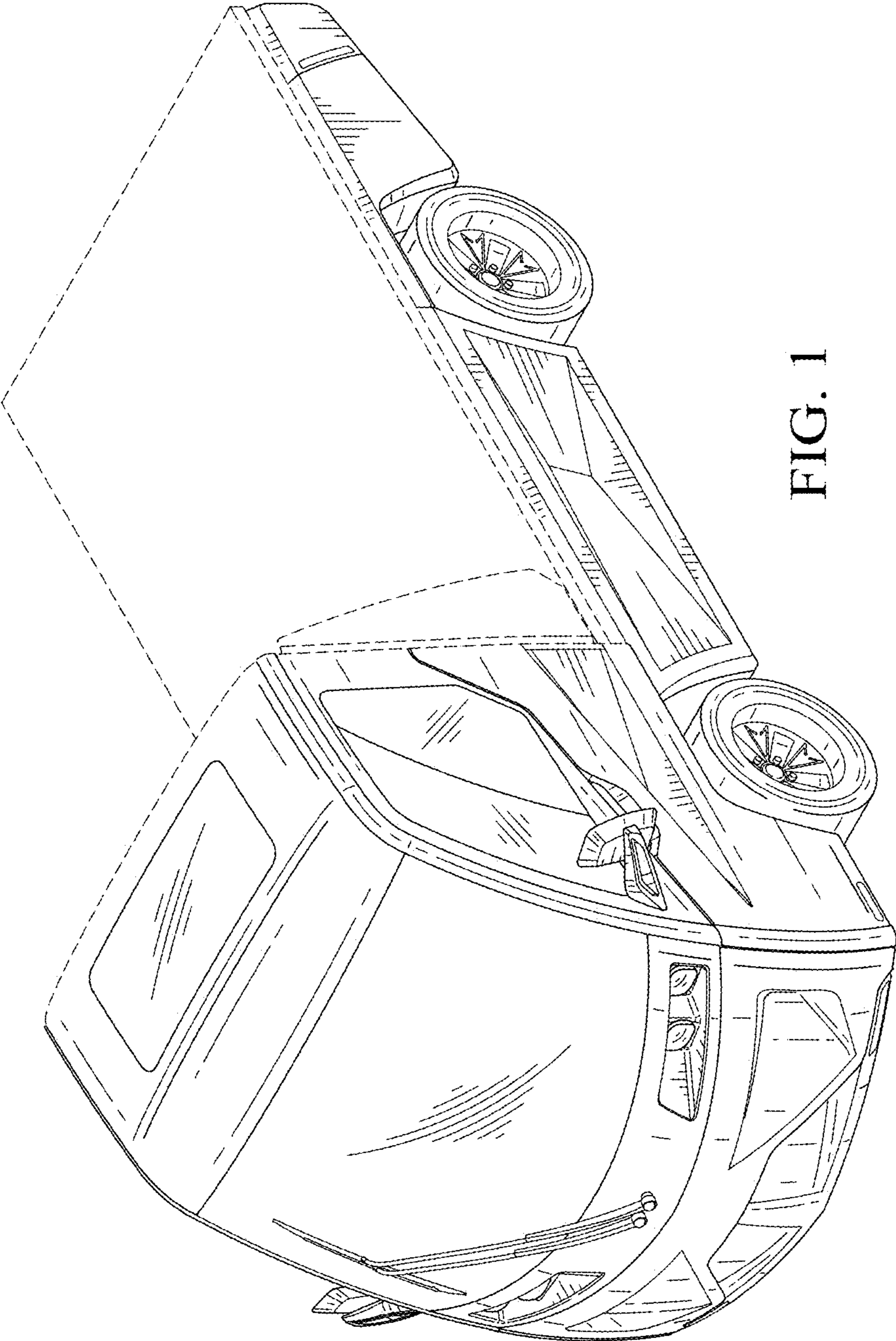


FIG. 1

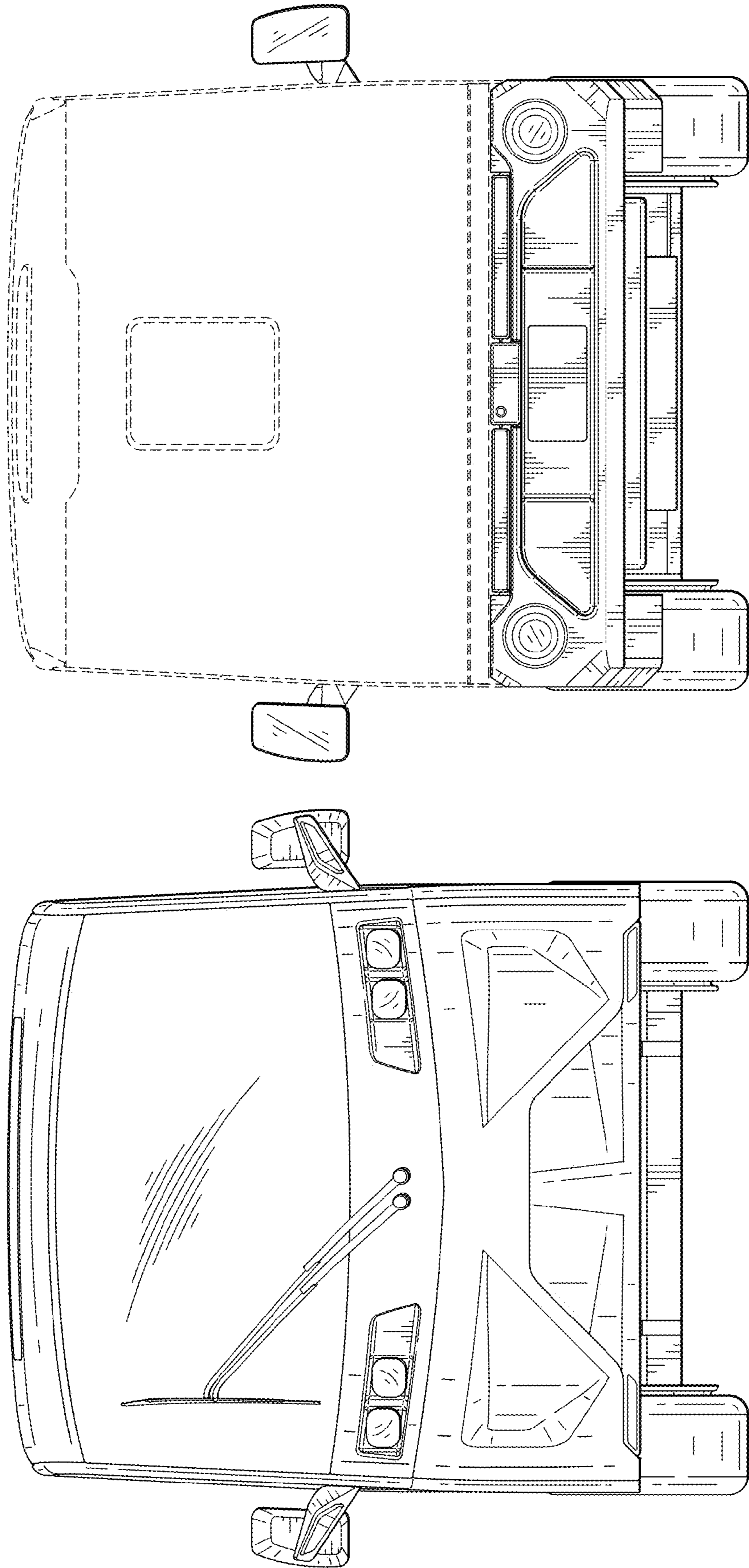


FIG. 3

FIG. 2

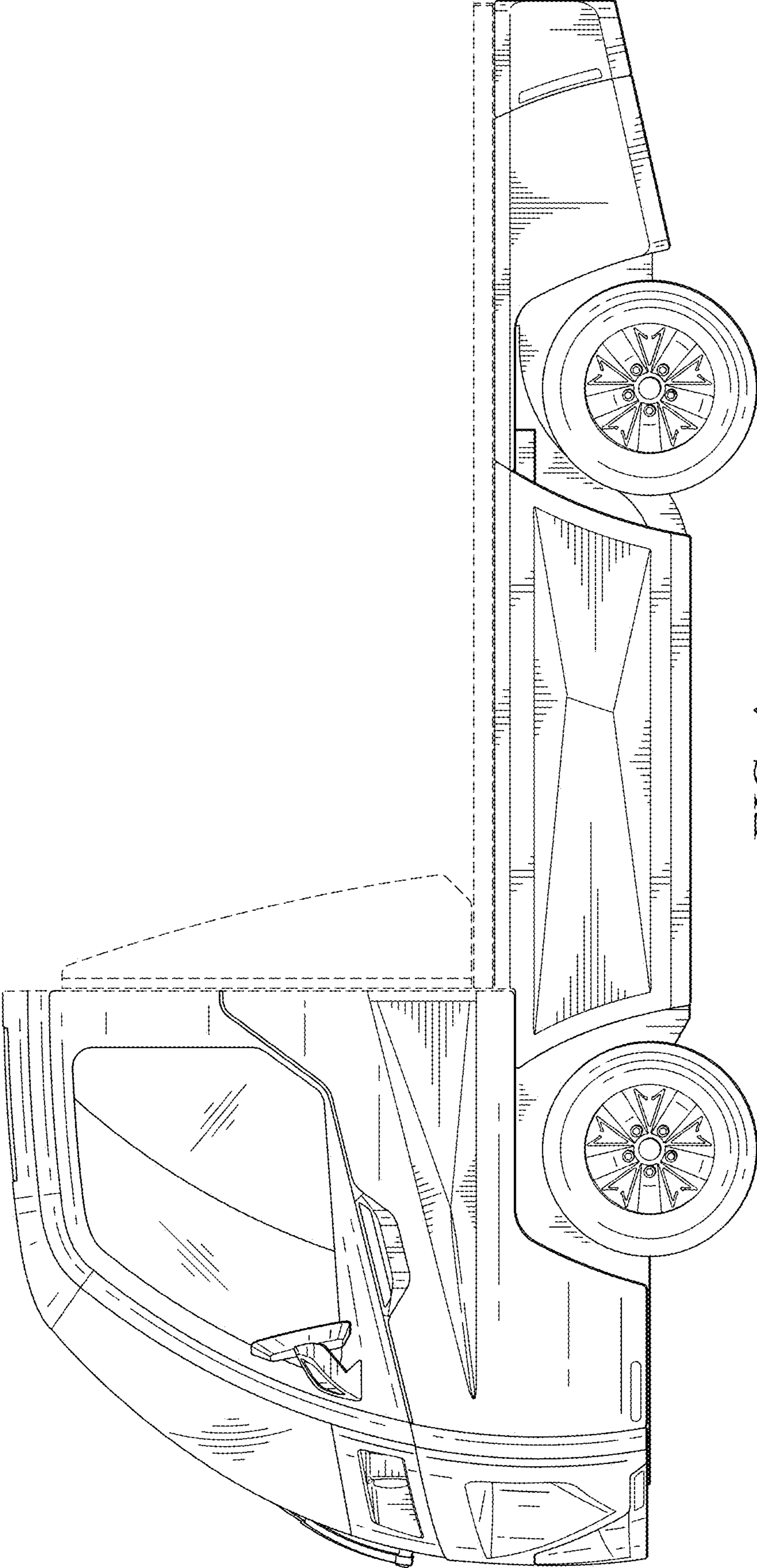


FIG. 4

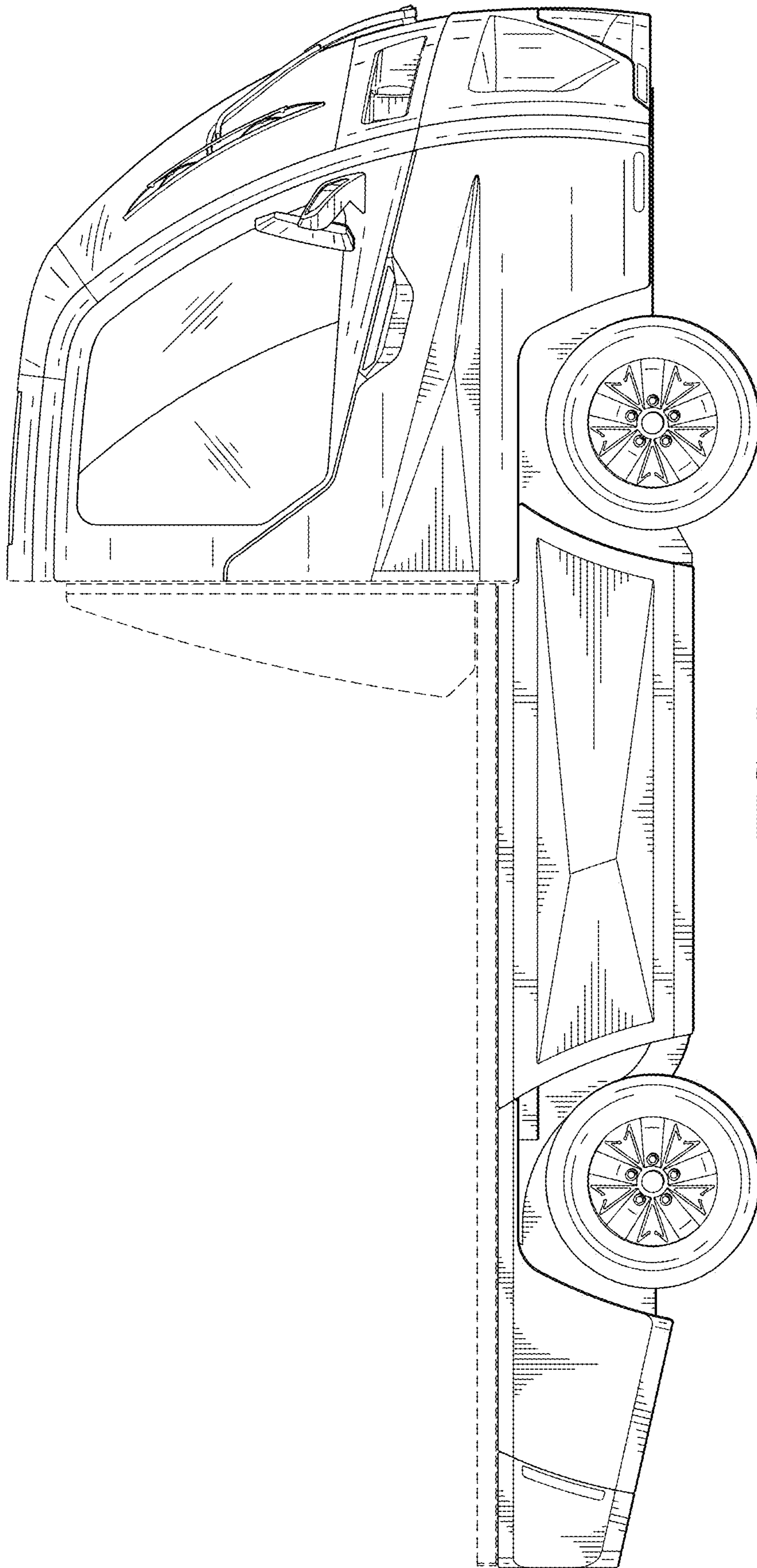


FIG. 5

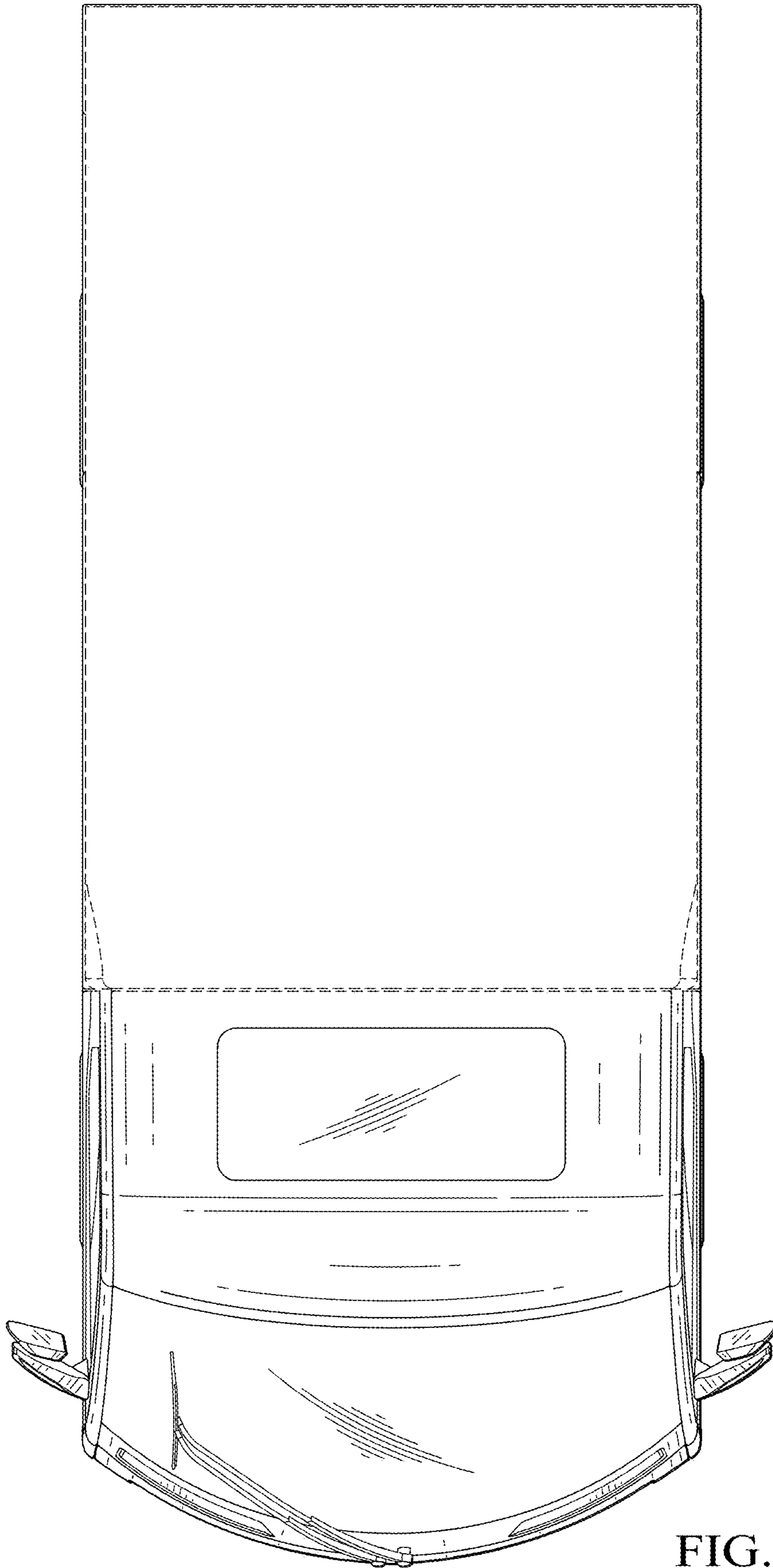


FIG. 6

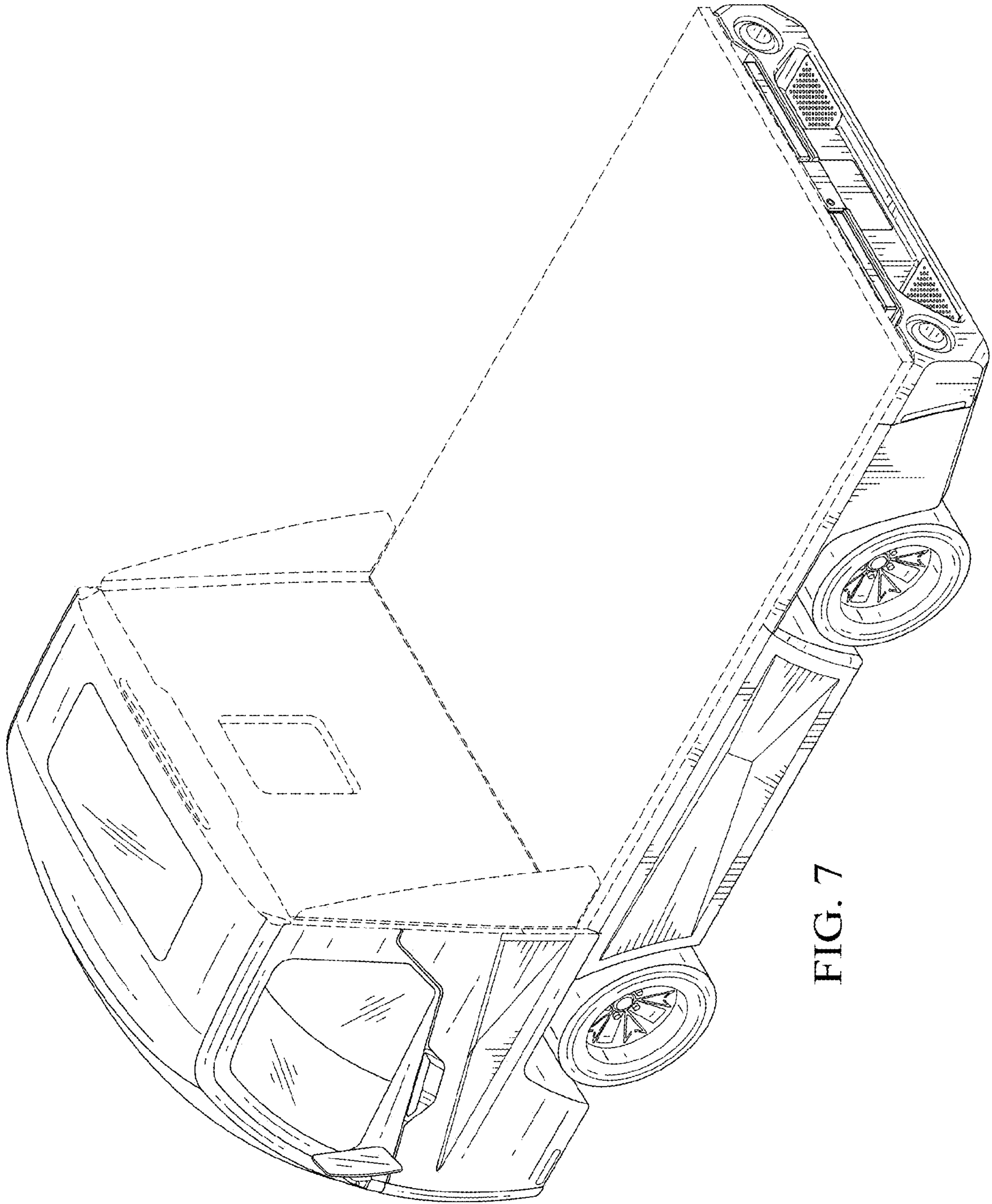


FIG. 7

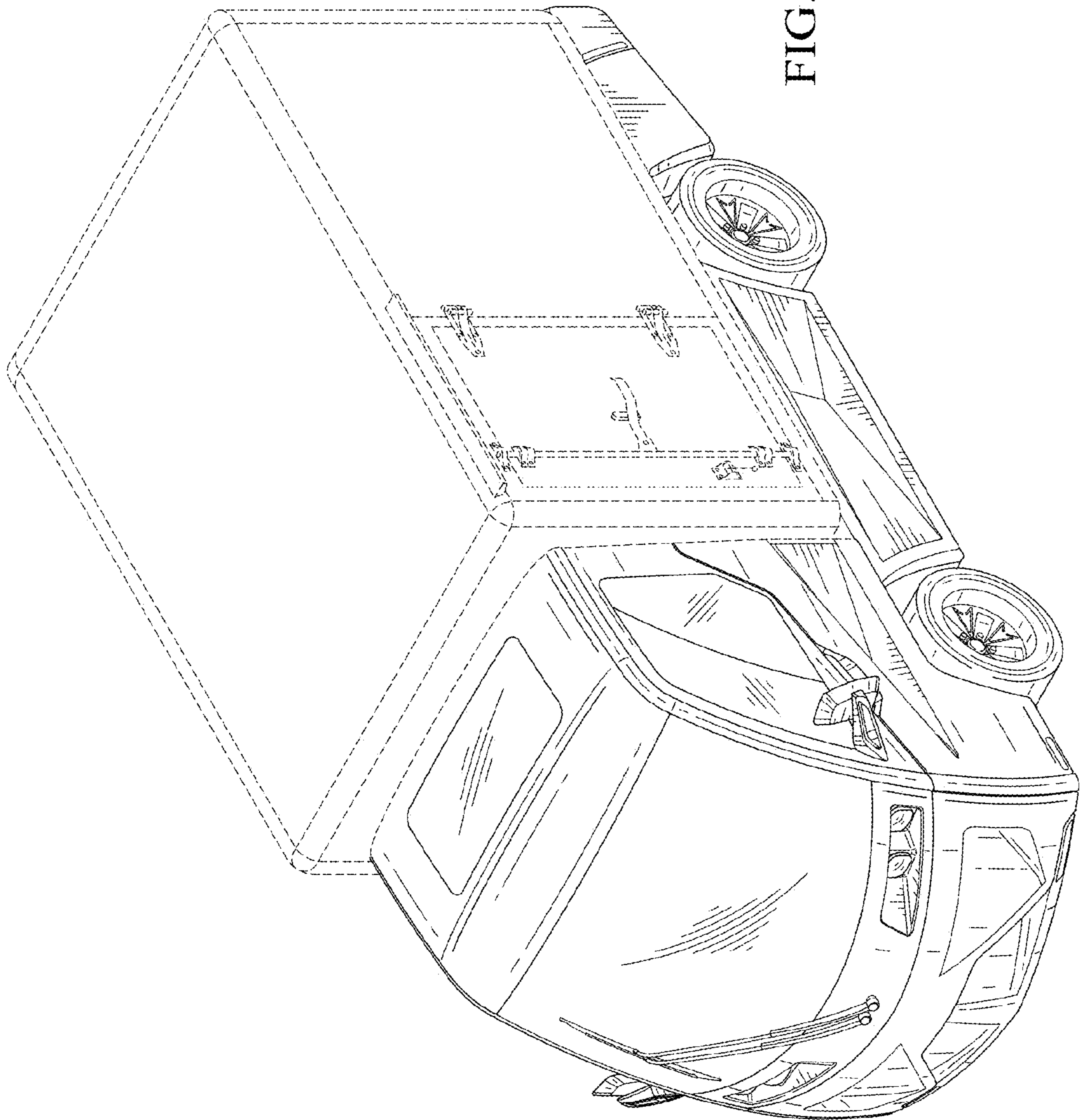


FIG. 8