



US00D975589S

(12) **United States Design Patent**  
**Godard**

(10) **Patent No.:** **US D975,589 S**  
(45) **Date of Patent:** **\*\* Jan. 17, 2023**

(54) **MOTOR CAR**

(71) Applicant: **HOPIUM S.A.S.**, Paris (FR)

(72) Inventor: **Felix Godard**, Availles-en-Chatellerault (FR)

(\*\*) Term: **15 Years**

(21) Appl. No.: **35/512,009**

(22) Filed: **Nov. 15, 2020**

(80) **Hague Agreement Data**

Int. Filing Date: **Nov. 15, 2020**

Int. Reg. No.: **DM/214503**

Int. Reg. Date: **Nov. 15, 2020**

Int. Reg. Pub. Date: **Jun. 11, 2021**

(51) **LOC (14) Cl.** ..... **12-08**

(52) **U.S. Cl.**  
USPC ..... **D12/92**

(58) **Field of Classification Search**  
USPC ..... D12/86, 90, 91, 92, 98; D21/424, 433,  
D21/434

CPC ..... B62D 25/00; B62D 25/06; B62D 33/00;  
B62D 35/00

See application file for complete search history.

(56) **References Cited**

**U.S. PATENT DOCUMENTS**

D257,835 S *	1/1981	Nakano	.....	D12/92
D289,390 S *	4/1987	Ikeda	.....	D12/91
D680,030 S *	4/2013	Rodriguez	.....	D12/92
D703,585 S *	4/2014	Scheinutte	.....	D12/92
D710,260 S *	8/2014	Villarreal	.....	D12/92
9,073,410 B2 *	7/2015	Bruant	.....	B60J 7/028
D738,259 S *	9/2015	Ohnuma	.....	D12/92
D763,737 S *	8/2016	Varga	.....	D12/92
D786,134 S *	5/2017	Varga	.....	D12/92
D790,405 S *	6/2017	Christensen	.....	D12/92
9,725,020 B2 *	8/2017	Fainello	.....	B60J 5/045
D796,998 S *	9/2017	Christensen	.....	D12/92

D797,606 S *	9/2017	Oh	.....	D12/92
D808,302 S *	1/2018	Oh	.....	D12/92
D809,971 S *	2/2018	Lee	.....	D12/92
D809,972 S *	2/2018	Fisker	.....	D12/92
D825,388 S *	8/2018	Karras	.....	D12/92
D831,542 S *	10/2018	Russo	.....	D12/92
D836,031 S *	12/2018	Lim	.....	D12/92
D840,874 S *	2/2019	Fisker	.....	D12/92
D845,174 S *	4/2019	Iwao	.....	D12/92
D847,028 S *	4/2019	Loeb	.....	D12/92
D864,789 S *	10/2019	Lee	.....	D12/92
D902,080 S *	11/2020	Lim	.....	D12/91
D920,846 S *	6/2021	Davidson	.....	D12/92
D955,923 S *	6/2022	Kim	.....	D12/92
D956,625 S *	7/2022	Fang	.....	D12/91

(Continued)

**OTHER PUBLICATIONS**

Car Scoops. "First Look: The Hopium Machina Is A Hydrogen-Powered Luxury Car." YouTube., Oct. 1, 2020 [online], [retrieved on Nov. 14, 2022]. Retrieved from the Internet <URL: <https://www.youtube.com/watch?v=umFb2M3jOsg>>.\*

(Continued)

*Primary Examiner* — Darlington Ly

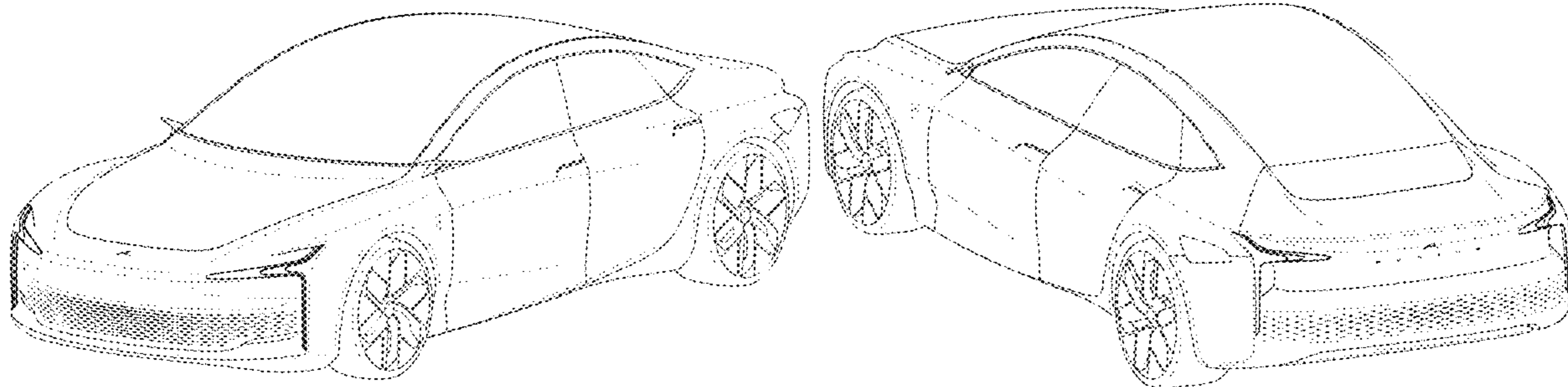
(57) **CLAIM**

The ornamental design for a motor car, as shown and described.

**DESCRIPTION**

**1.1** is a left side elevation view of a motorcar embodying my new design;  
**1.2** is a right side elevation view thereof;  
**1.3** is a front elevation view thereof;  
**1.4** is a rear elevation view thereof;  
**1.5** is a top plan view thereof;  
**1.6** is a front and left side perspective view thereof; and  
**1.7** is a rear and left side perspective view thereof.  
The broken lines in the reproductions illustrate portions of the motorcar that form no part of the claimed design.

**1 Claim, 7 Drawing Sheets**



(56)

**References Cited**

U.S. PATENT DOCUMENTS

D956,628 S	*	7/2022	Fang	.....	D12/91
D964,214 S	*	9/2022	Cybulski	.....	D12/92
D964,897 S	*	9/2022	Kim	.....	D12/92
D966,937 S	*	10/2022	Jenkins	.....	D12/91

OTHER PUBLICATIONS

“Hopium annonce 1 000 véhicules . . . ” Hopium., Sep. 28, 2021 [online], [retrieved on Nov. 14, 2022]. Retrieved from the Internet <URL: [https://hopium.cdn.prismic.io/hopium/f3cfaf11-5702-4480-acd6-e12f121b1383\\_21.09.28.CP.Hopium.1000.Precommandes.pdf](https://hopium.cdn.prismic.io/hopium/f3cfaf11-5702-4480-acd6-e12f121b1383_21.09.28.CP.Hopium.1000.Precommandes.pdf)>.\*

“Hopium Presente Son Concept . . . ” Hopium., Jan. 21, 2021 [online], [retrieved on Nov. 14, 2022]. Retrieved from the Internet <URL: [https://hopium.cdn.prismic.io/hopium/83809bc3-38c1-4fd8-8aae-2dd41604fa83\\_21.01.21.Hopium.Platform.CP.FR.pdf](https://hopium.cdn.prismic.io/hopium/83809bc3-38c1-4fd8-8aae-2dd41604fa83_21.01.21.Hopium.Platform.CP.FR.pdf)>.\*

“Hopium dévoile son prototype . . . ” Hopium., Jun. 17, 2021 [online], [retrieved on Nov. 14, 2022]. Retrieved from the Internet <URL: [https://hopium.cdn.prismic.io/hopium/7e579667-43e7-4403-](https://hopium.cdn.prismic.io/hopium/7e579667-43e7-4403-806f-1d581253c5c6_2021.06.17.Hopium.Alpha0.Reveal.CP.FR.pdf)

[806f-1d581253c5c6\\_2021.06.17.Hopium.Alpha0.Reveal.CP.FR.pdf](https://hopium.cdn.prismic.io/hopium/7e579667-43e7-4403-806f-1d581253c5c6_2021.06.17.Hopium.Alpha0.Reveal.CP.FR.pdf)>.\*

Hopium. “Hopium Māchina Reveal—Olivier Lombard—Hydrogen.” YouTube., Oct. 1, 2020 [online], [retrieved on Nov. 14, 2022]. Retrieved from the Internet <URL: <https://www.youtube.com/watch?v=nxQRdmvN1y8>>.\*

Notification of Refusal issued by the Korean Intellectual Property Office dated May 31, 2022 for International Registration No. DM/214503.

“Hopium Machina Hydrogen”, <https://www.Youtube.com/watvh?tv-VPsAS4yVrLlw>, Oct. 1, 2020. (Submitted with Machine Translation in English).

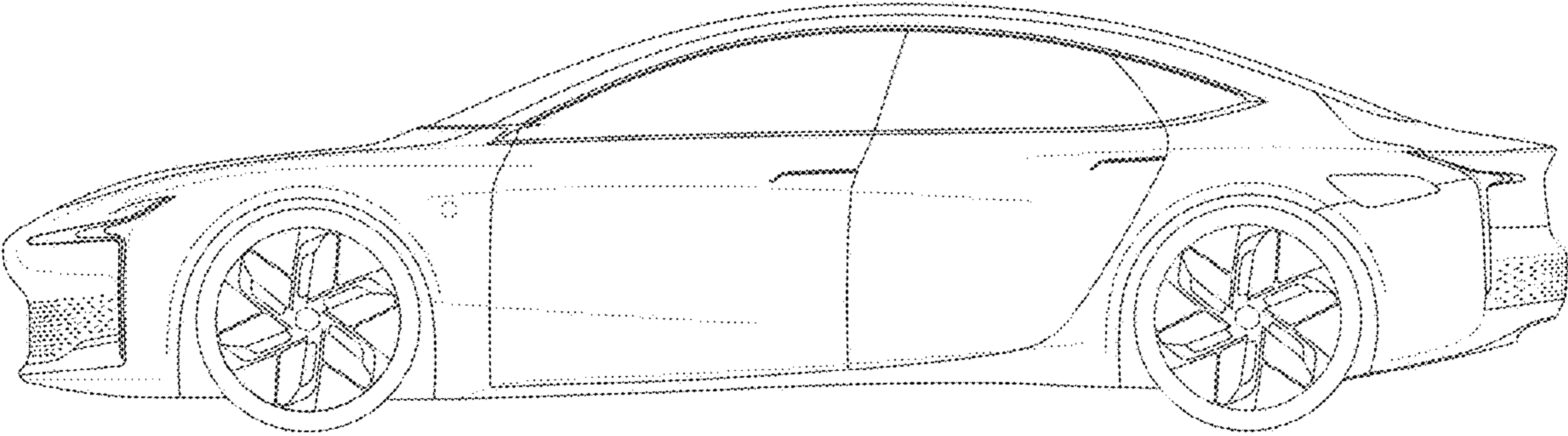
Notification of Refusal issued by the Japan Patent Office dated Oct. 22, 2021 for International Registration No. DM/214503.

Notification of Refusal issued by the Intellectual Property Office of Viet Nam dated Oct. 12, 2021 for International Registration No. DM/214503.

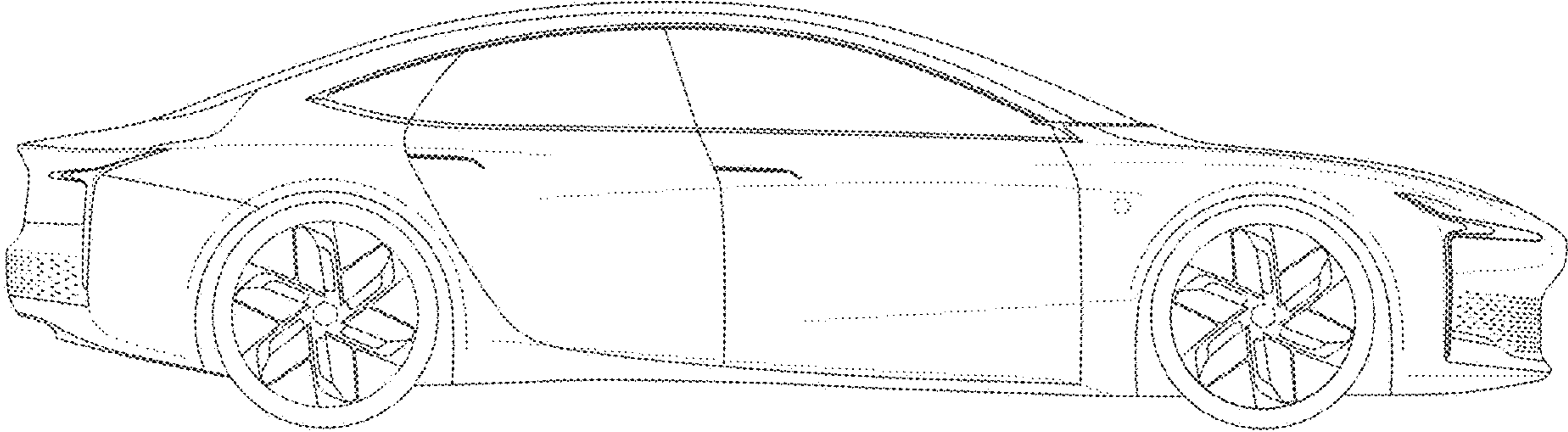
“1000 km d’autonomie, 500 ch et 3 min pour recharger . . . voici l’Hopium !”, Vosges matin (online), <https://www.vosgesmatin.fr/magazine-automobile/2020/10/07/1000-km-d-autonomie-500-ch-et-3-min-pour-recharger-voici-l-hopium>, Oct. 7, 2020. (Submitted with Machine Translation in English).

\* cited by examiner

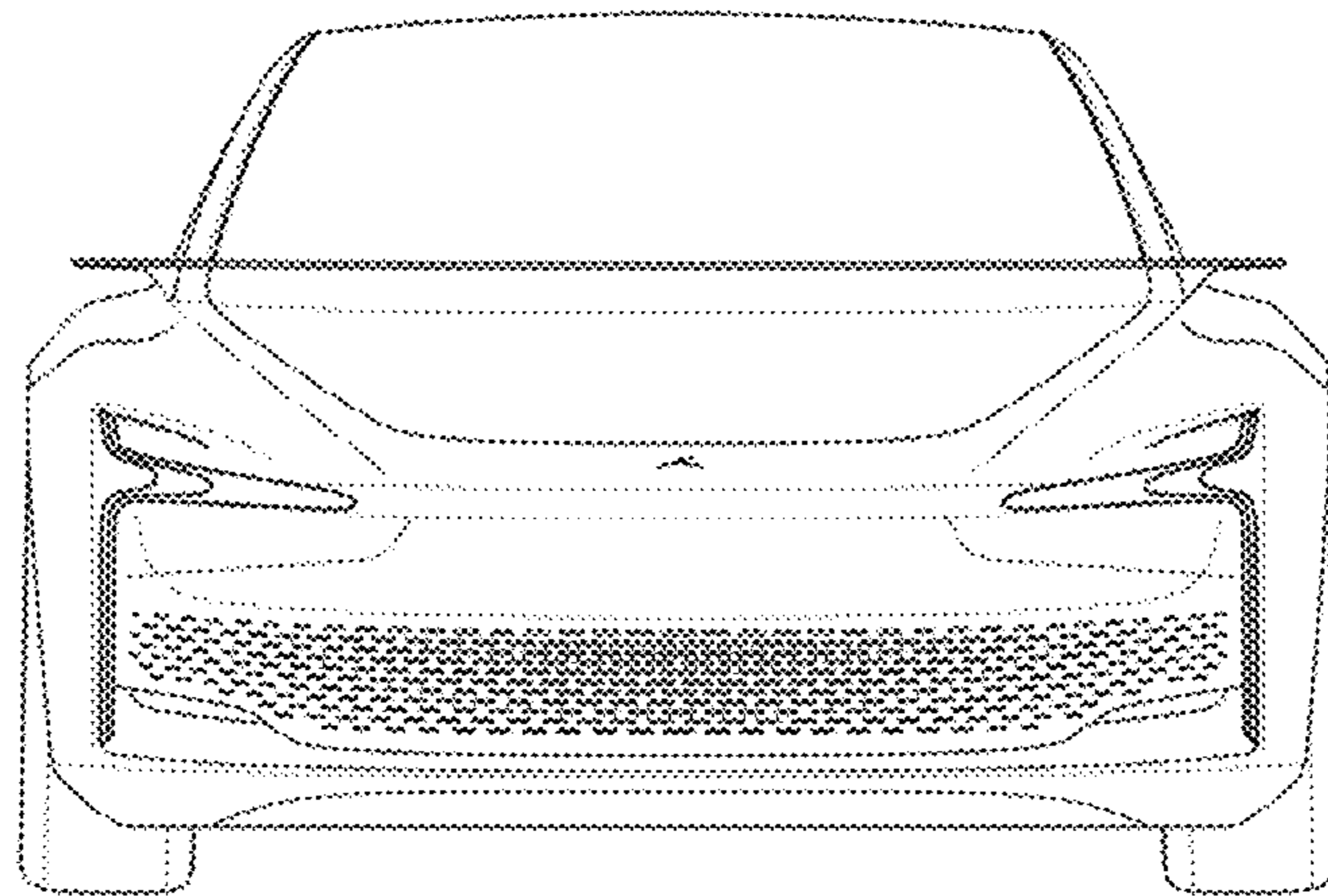
1.1



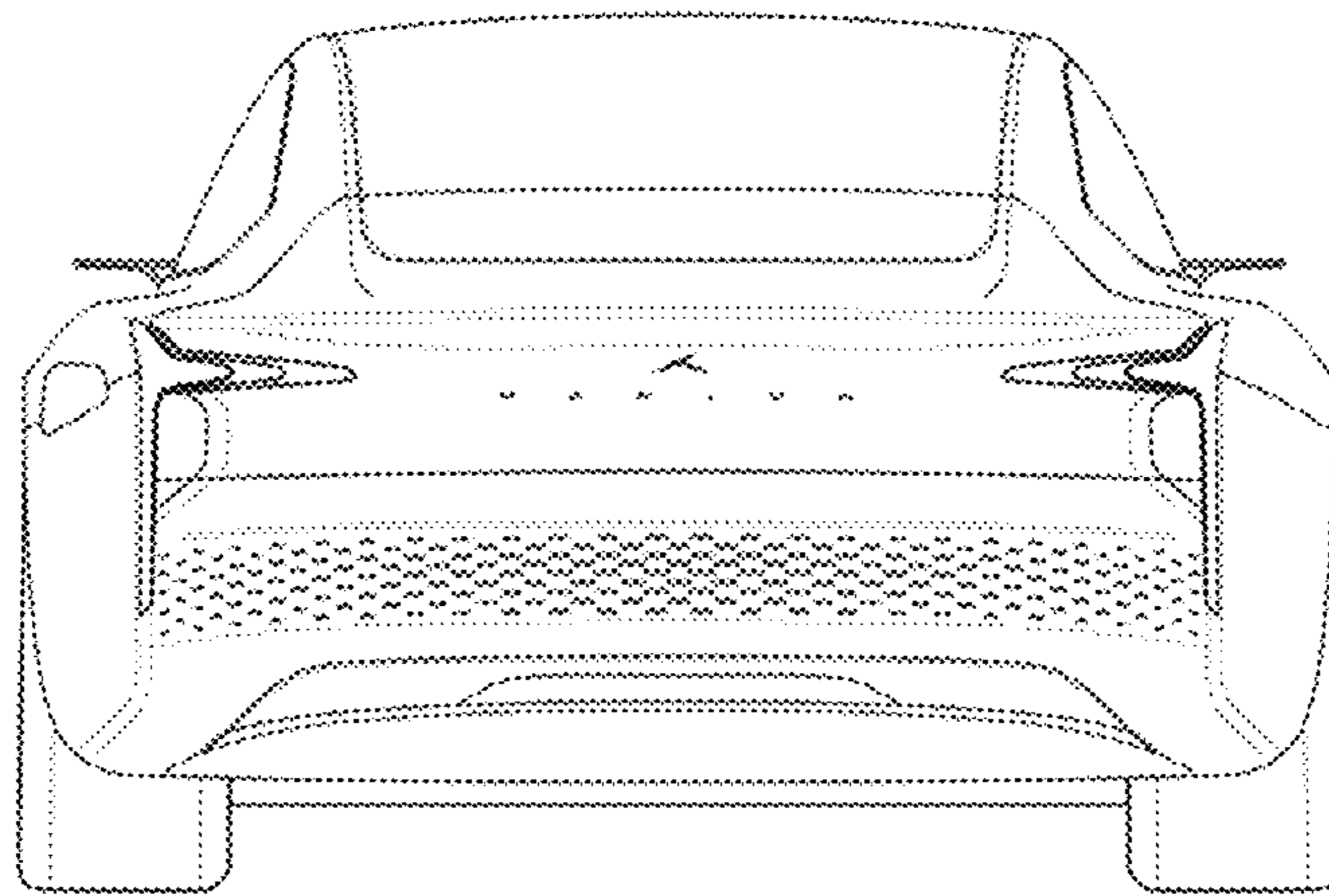
1.2



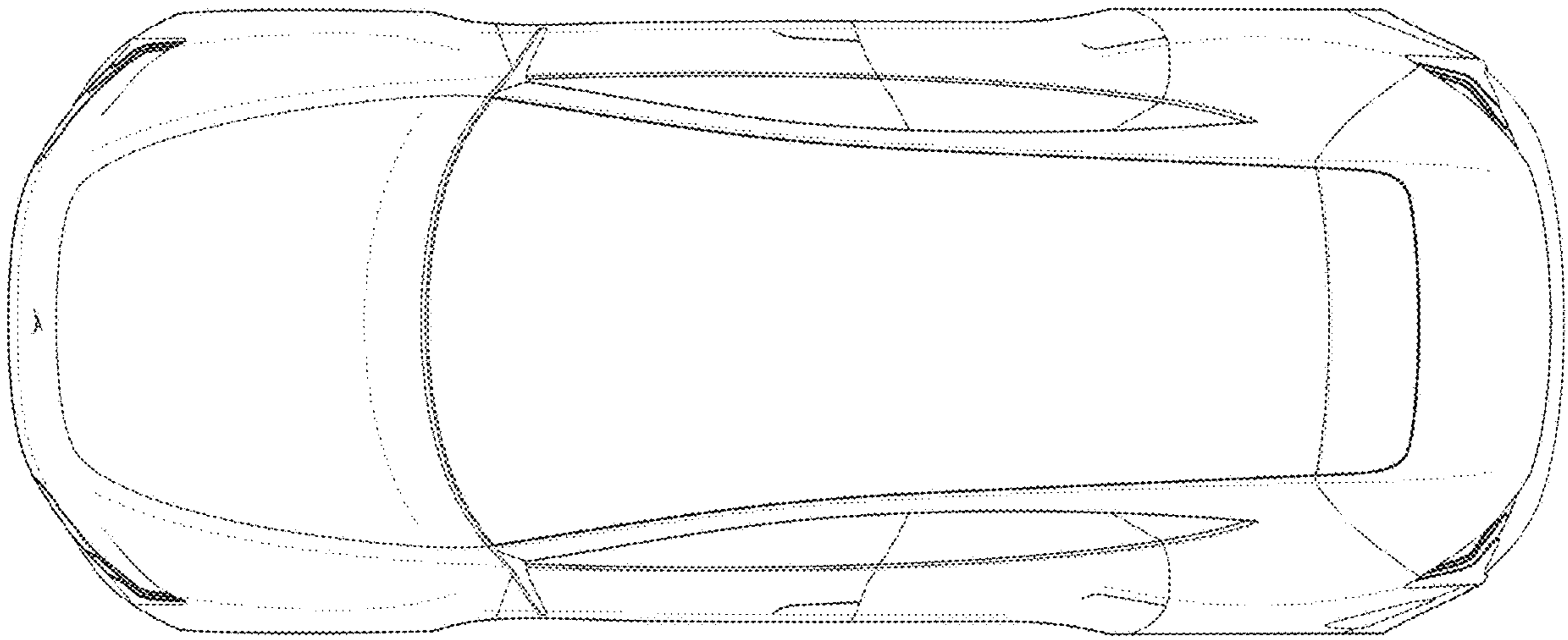
1.3



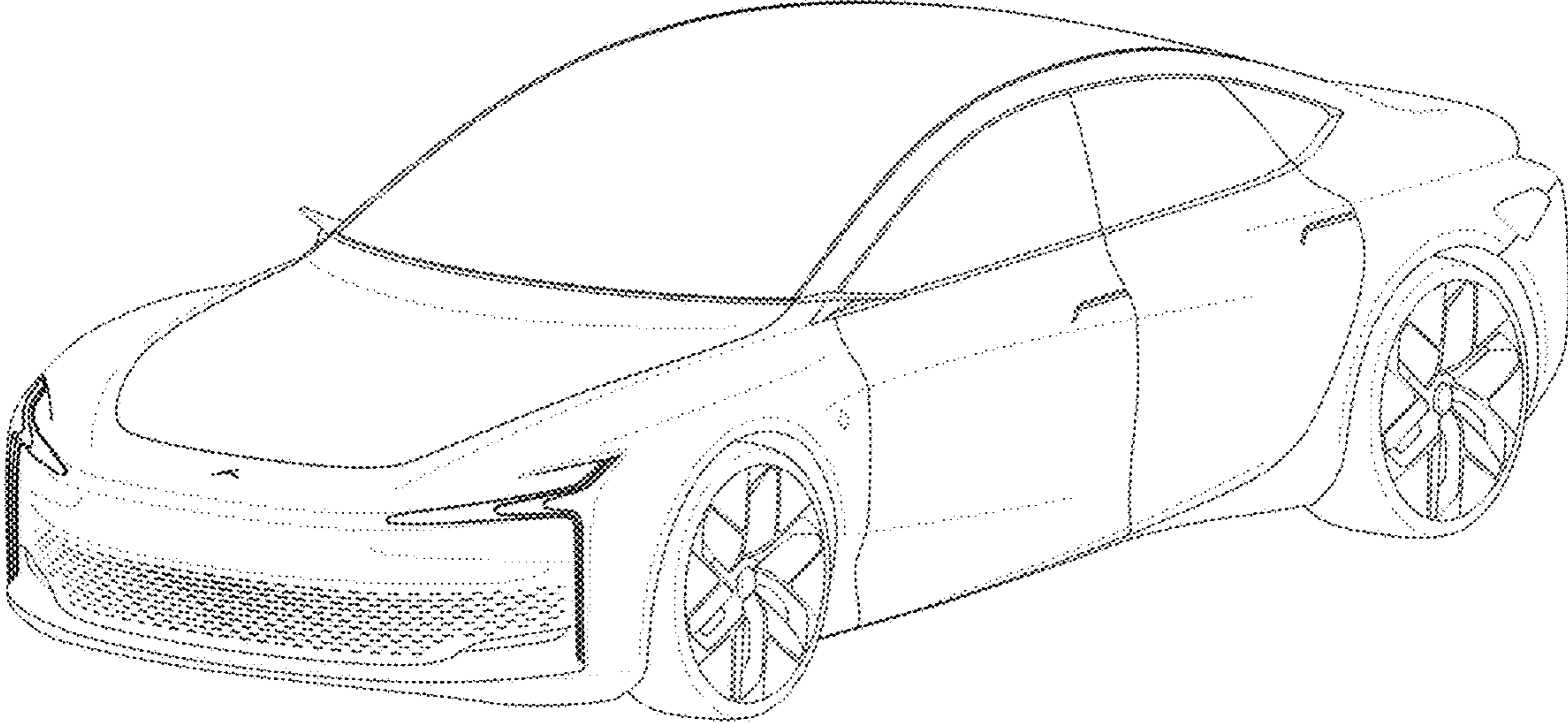
1.4



1.5



1.6





1.7

